



US00D450037B1

(12) **United States Design Patent**  
**Yu**

(10) **Patent No.:** **US D450,037 S**

(45) **Date of Patent:** **\*\* Nov. 6, 2001**

(54) **RECEPTACLE ADAPTER**

4,888,448 \* 12/1989 Moerman ..... 174/38  
5,595,494 \* 1/1997 Wiebe ..... 174/48 X

(76) Inventor: **Jeff Yu**, 1101 S. Winchester Blvd.  
#D146, San Jose, CA (US) 95128

\* cited by examiner

(\*\*) Term: **14 Years**

*Primary Examiner*—Jennifer Rivard

(21) Appl. No.: **29/137,893**

(57) **CLAIM**

(22) Filed: **Mar. 2, 2001**

The ornamental design for a receptacle adapter, as shown and described.

(51) **LOC (7) Cl.** ..... **13-03**

**DESCRIPTION**

(52) **U.S. Cl.** ..... **D13/139.4; D13/139.6**

(58) **Field of Search** ..... D13/139.1, 139.4–139.8,  
D13/137.2; 174/38, 48, 50, 51, 52.1, 53,  
67; 220/3.8; 439/650–654, 954

FIG. 1 is a front elevational view of a receptacle adapter;  
FIG. 2 is a left side elevational view thereof;  
FIG. 3 is a rear elevational view thereof;  
FIG. 4 is a bottom view thereof.  
FIG. 5 is a top view thereof; and,  
FIG. 6 is another front elevational view thereof.

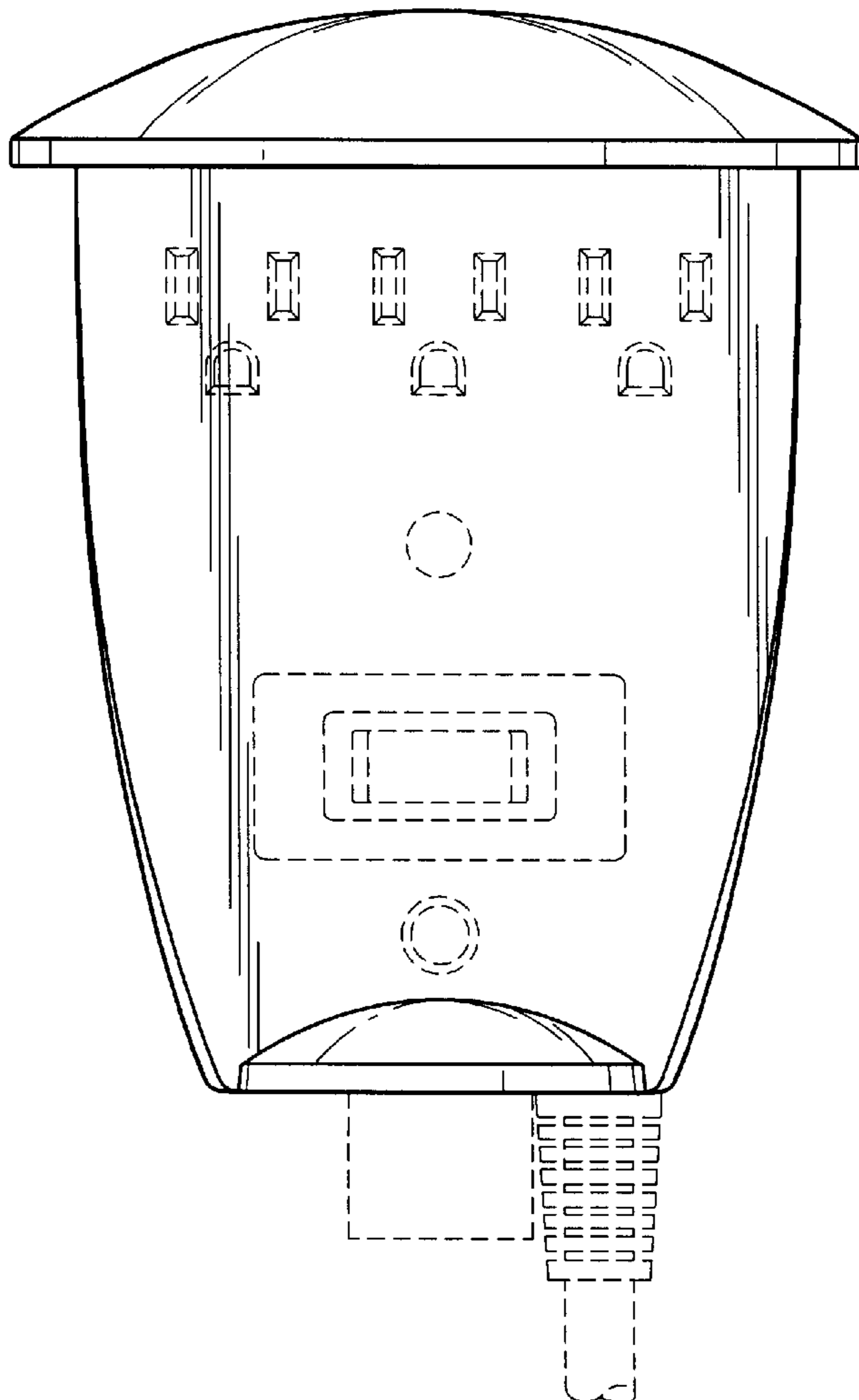
(56) **References Cited**

**U.S. PATENT DOCUMENTS**

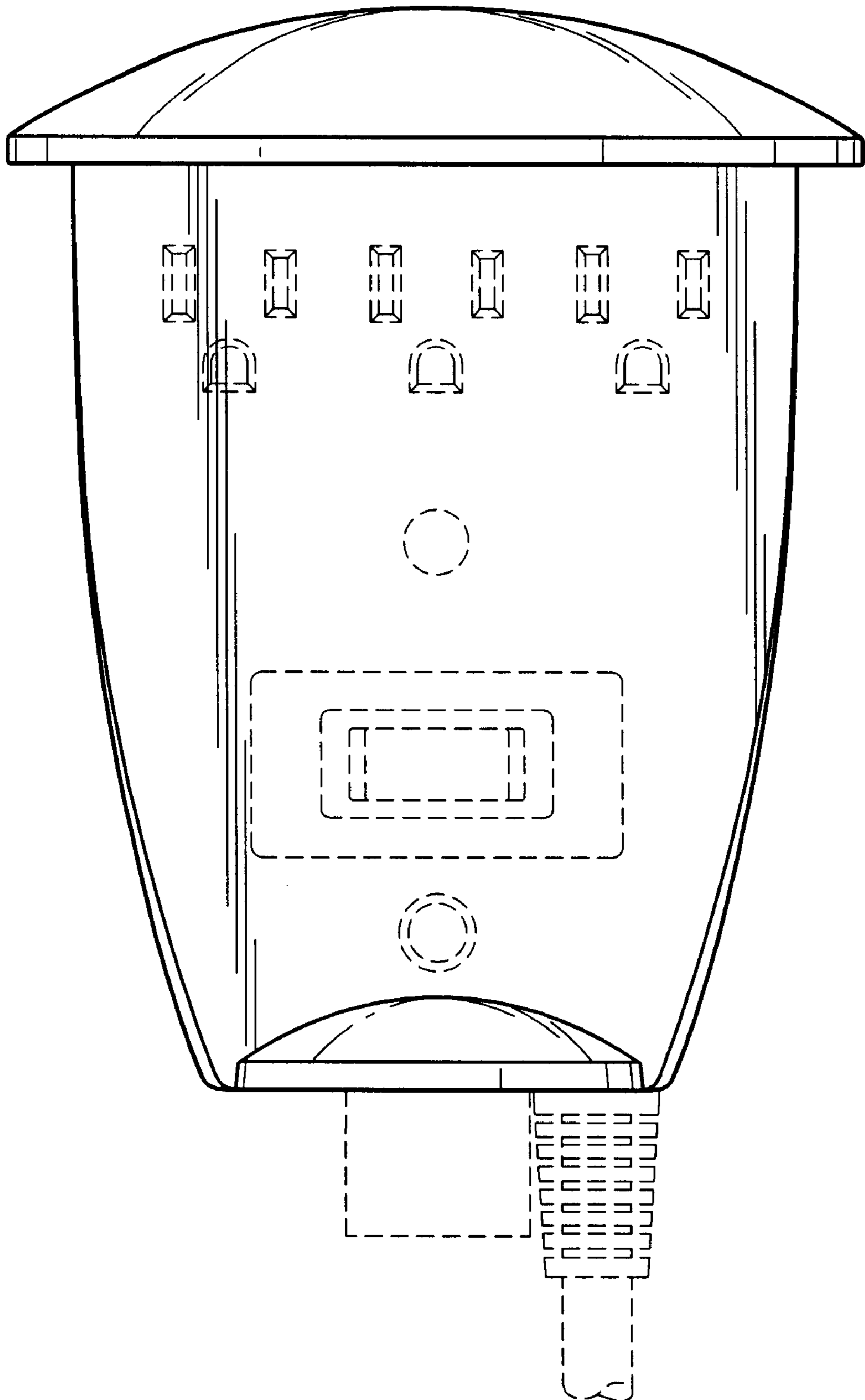
- D. 237,718 \* 11/1975 Bozich ..... D13/139.5
- D. 412,694 \* 8/1999 Kovacik et al. .... D13/139.4
- D. 434,001 \* 11/2000 Sayger ..... D13/139.5
- 4,435,027 \* 3/1984 Prather et al. .... 174/38 X

The broken line environmental showing is for illustrative purposes only and forms no part of the claimed design.

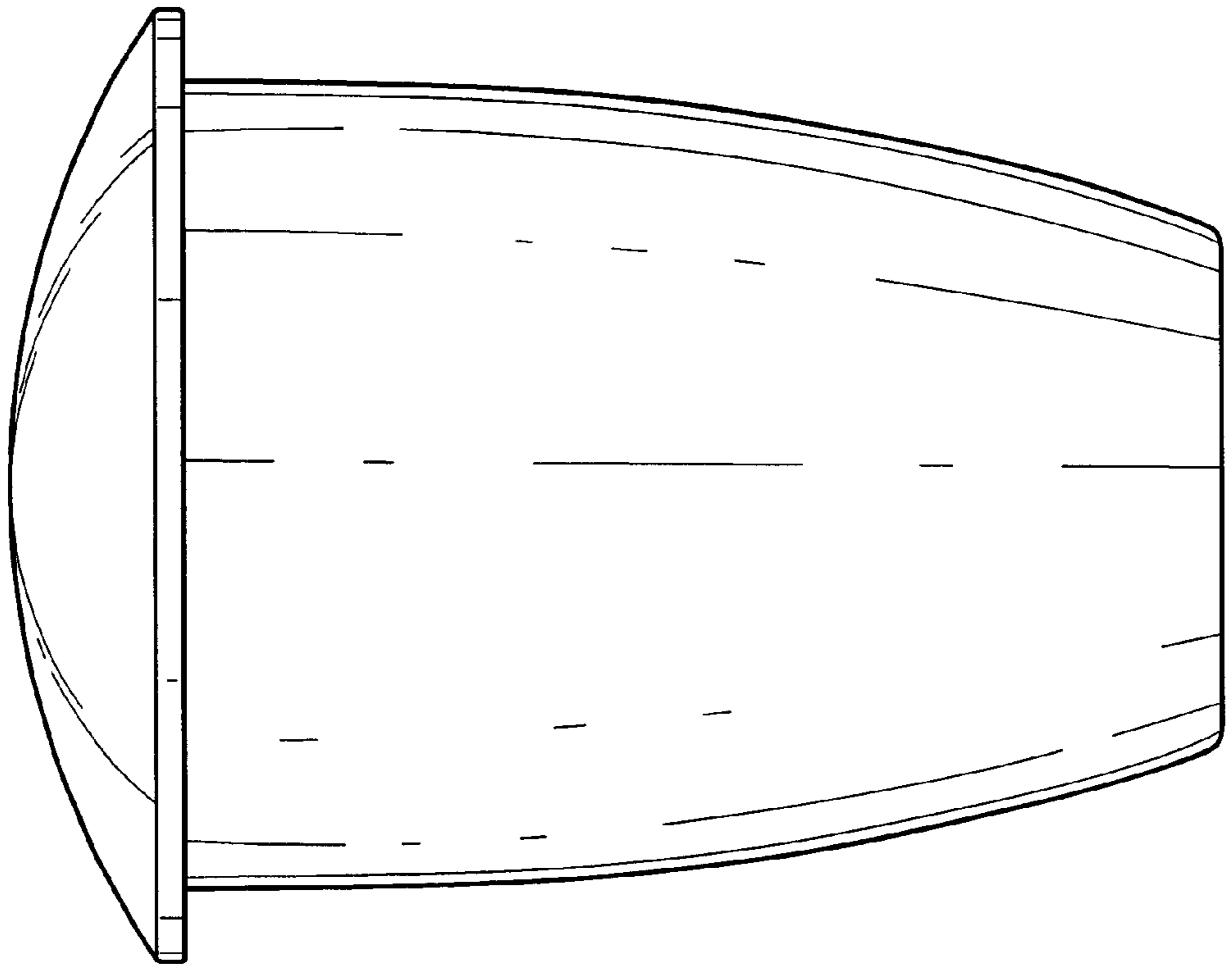
**1 Claim, 4 Drawing Sheets**



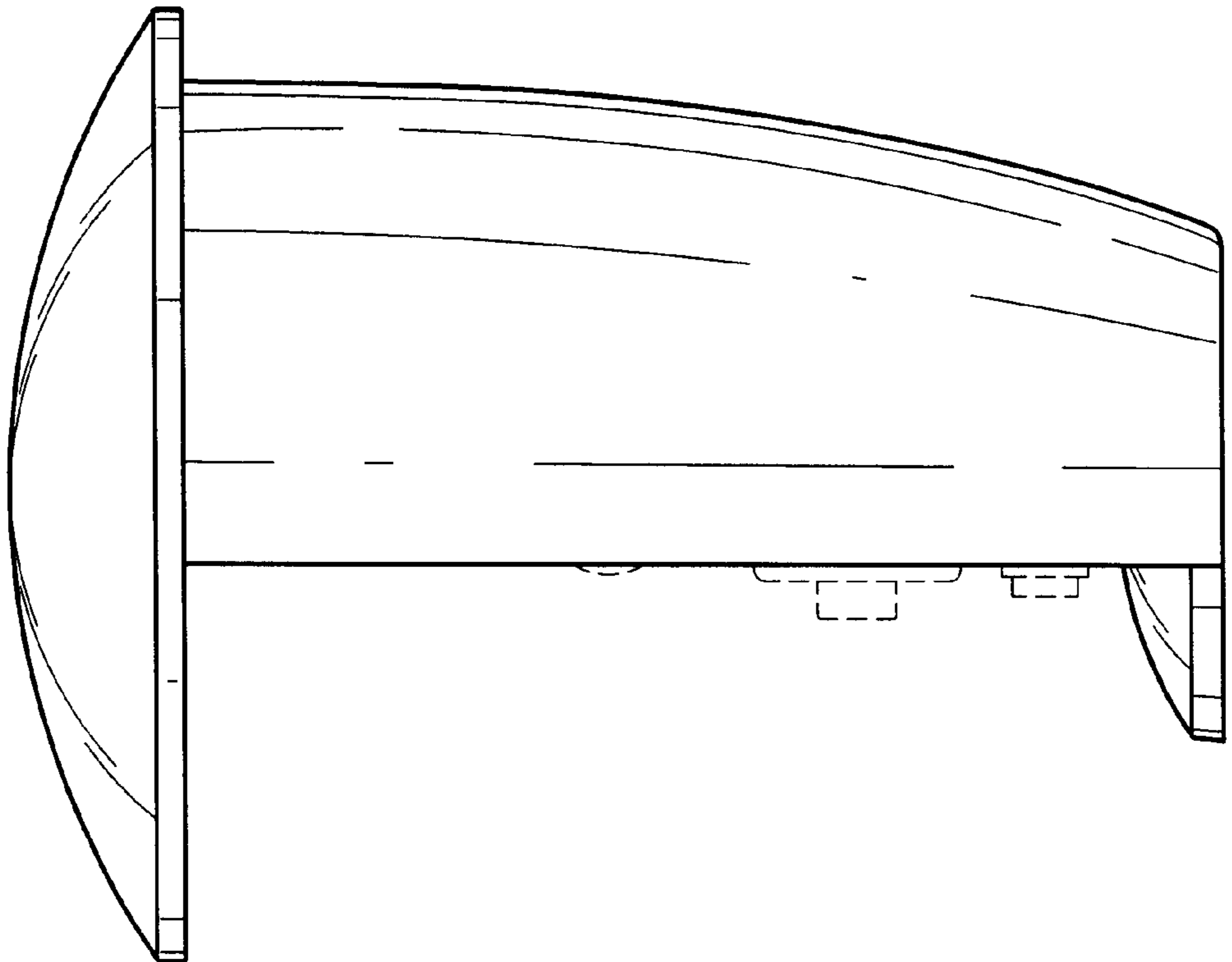
**FIG. 1**



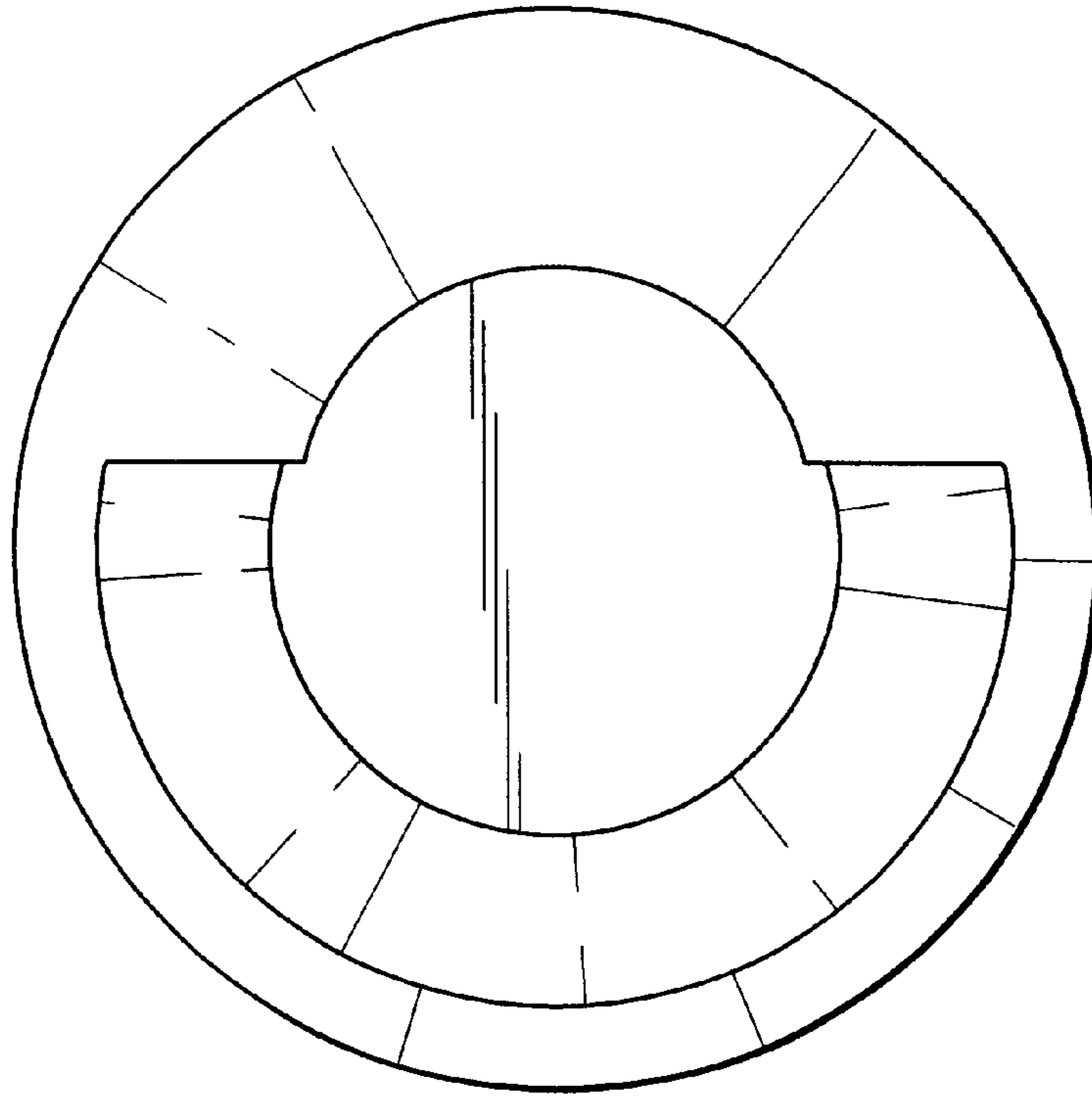
**FIG. 3**



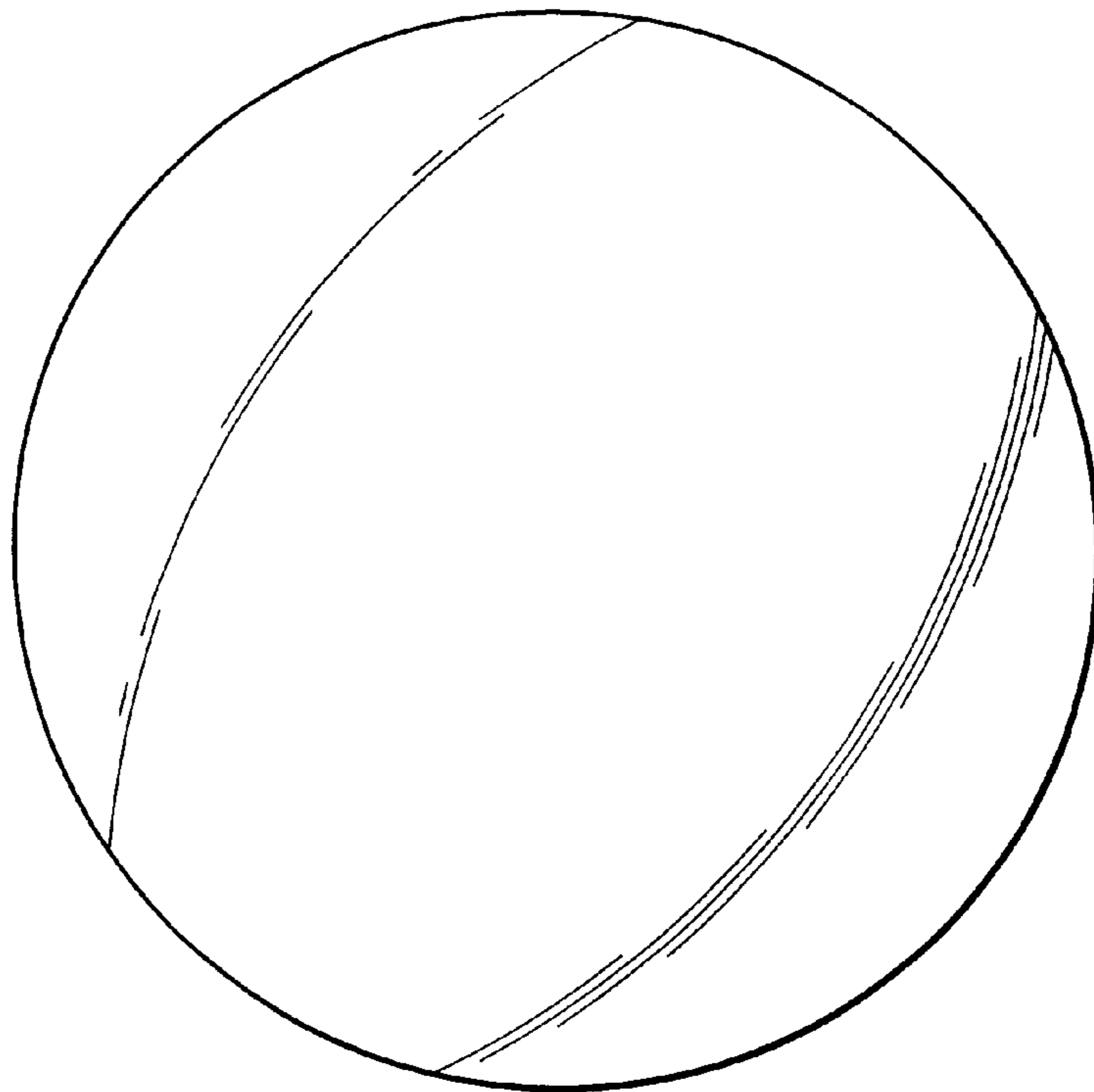
**FIG. 2**



**FIG. 4**



**FIG. 5**



**FIG. 6**

