



US00D450036B1

(12) **United States Design Patent**
Okamoto

(10) **Patent No.:** **US D450,036 S**

(45) **Date of Patent:** **** Nov. 6, 2001**

(54) **POWER PLUG WITH RECEPTACLE**

(75) Inventor: **Isao Okamoto**, Moriguchi (JP)

(73) Assignee: **Nichido Kogyo Kabushiki Kaisha**,
Osaka (JP)

(**) Term: **14 Years**

(21) Appl. No.: **29/137,892**

(22) Filed: **Mar. 2, 2001**

(30) **Foreign Application Priority Data**

Sep. 18, 2000 (JP) 12-025961

(51) **LOC (7) Cl.** **13-03**

(52) **U.S. Cl.** **D13/137.2**

(58) **Field of Search** D13/137.1, 137.2,
D13/138.1; 337/189, 197, 198; 439/650-654,
692-694, 105

(56) **References Cited**

U.S. PATENT DOCUMENTS

D. 318,647 * 7/1991 Dunn, Sr. D13/137.2

D. 382,854 * 8/1997 Muller et al. D13/137.2

4,293,172 * 10/1981 Lingaraju 439/105

4,768,979 * 9/1988 Wu 337/197

* cited by examiner

Primary Examiner—Jennifer Rivard

(74) *Attorney, Agent, or Firm*—McDermott, Will & Emery

(57) **CLAIM**

The ornamental design for a power plug with receptacle, as shown.

DESCRIPTION

FIG. 1 is a front view of a power plug with receptacle showing my new design;

FIG. 2 is a rear view thereof;

FIG. 3 is a left side view thereof;

FIG. 4 is a top plan view thereof;

FIG. 5 is a bottom plan view thereof; and,

FIG. 6 is a perspective view thereof.

1 Claim, 2 Drawing Sheets

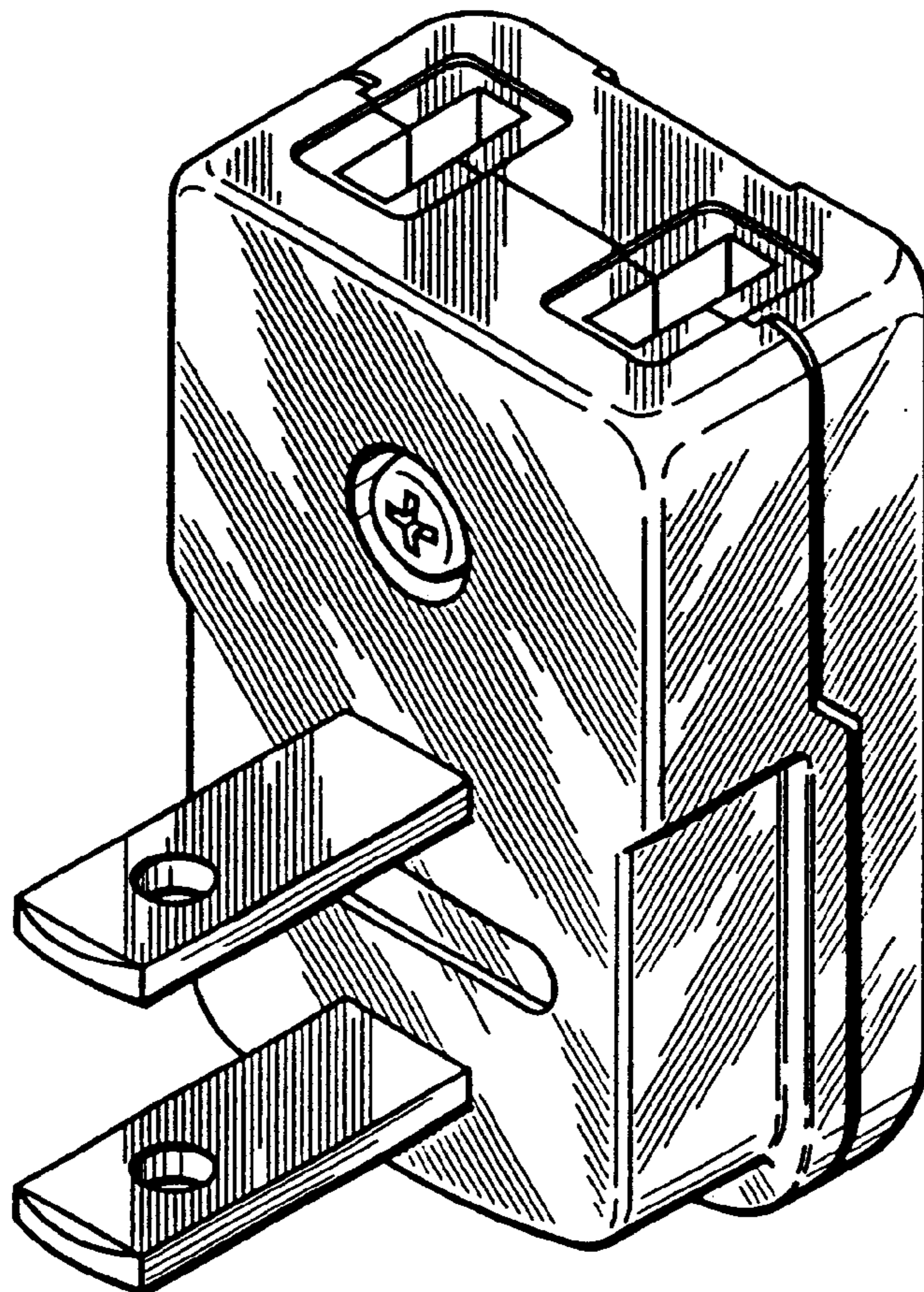


FIG.1

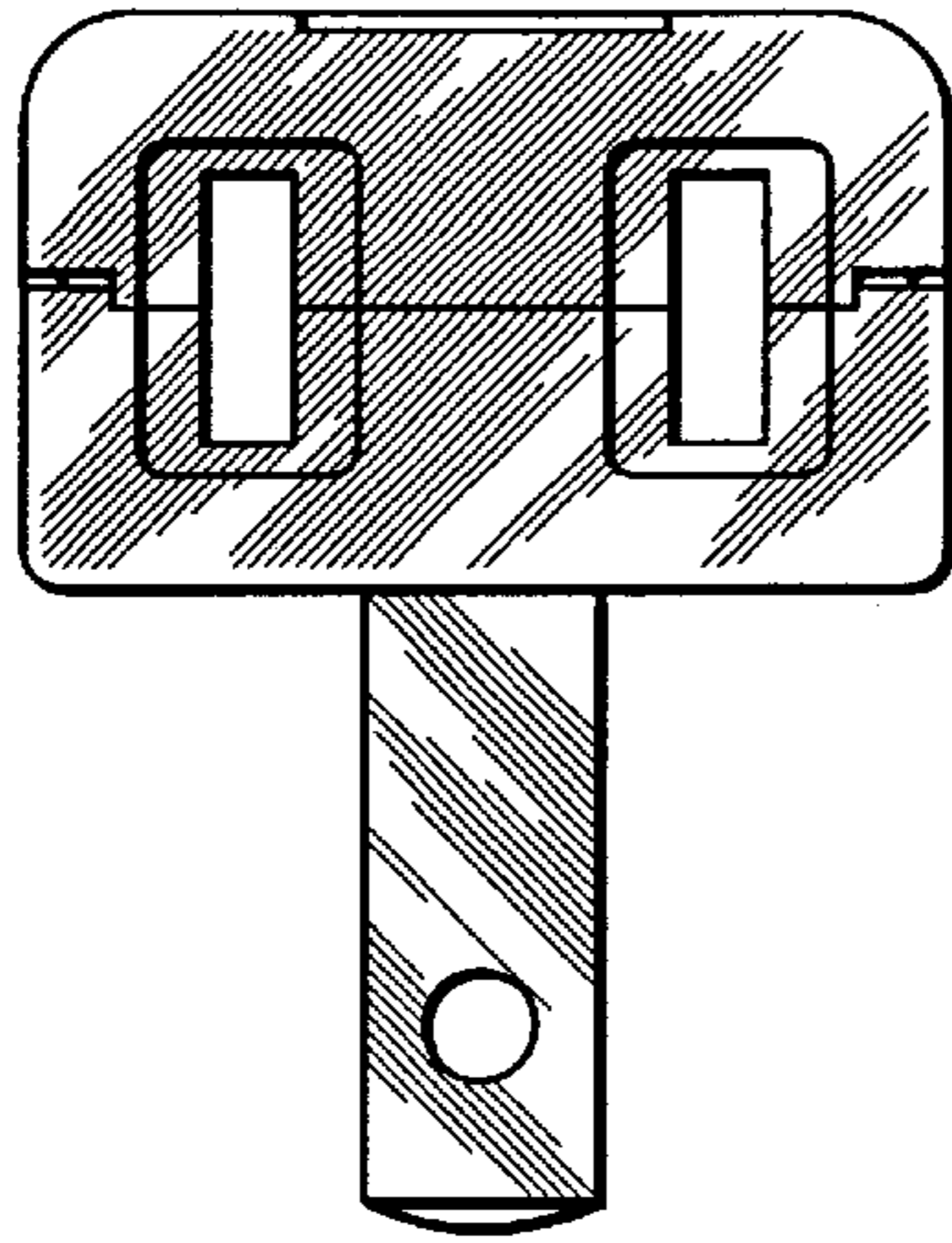


FIG.2

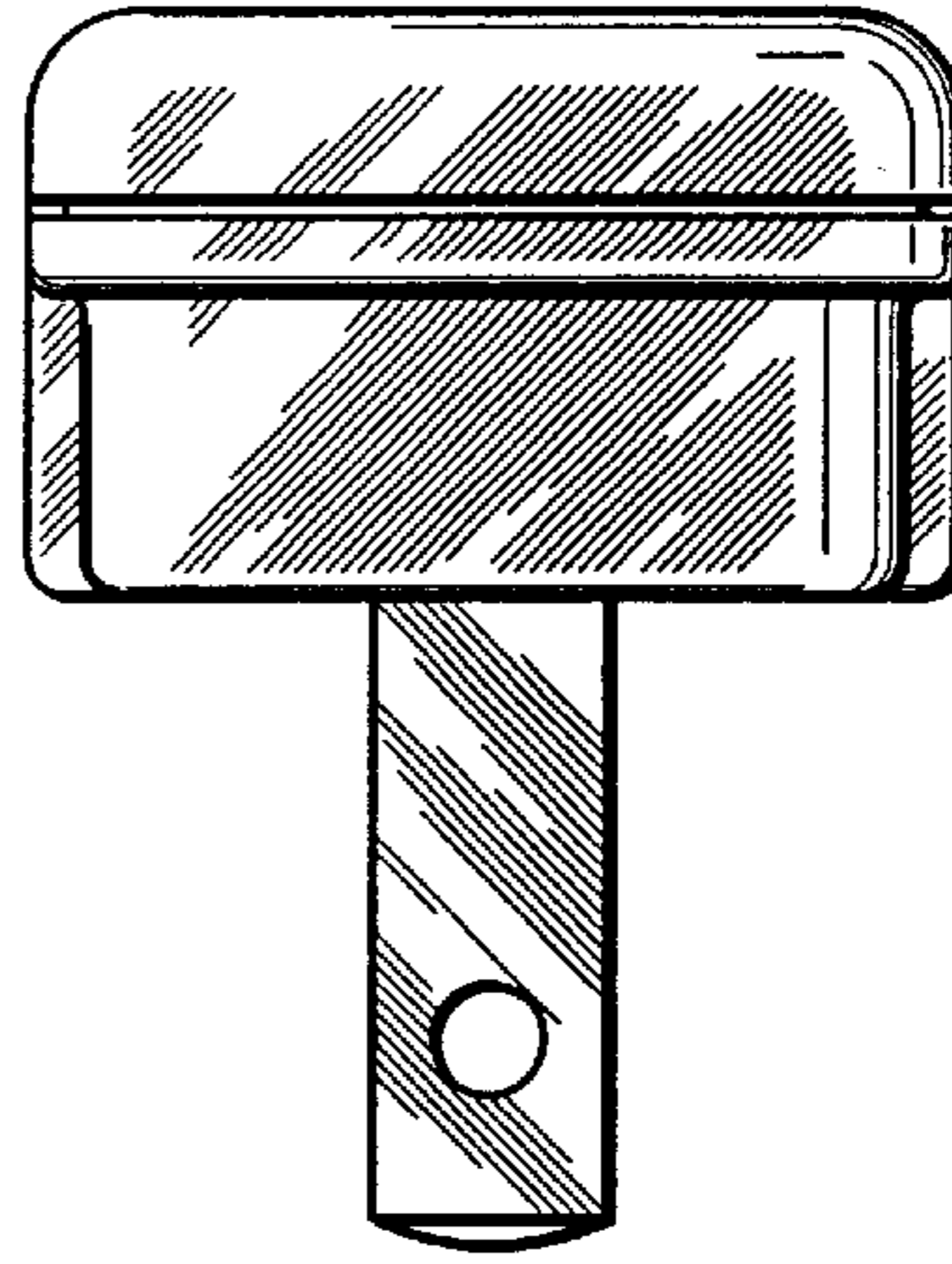


FIG.3

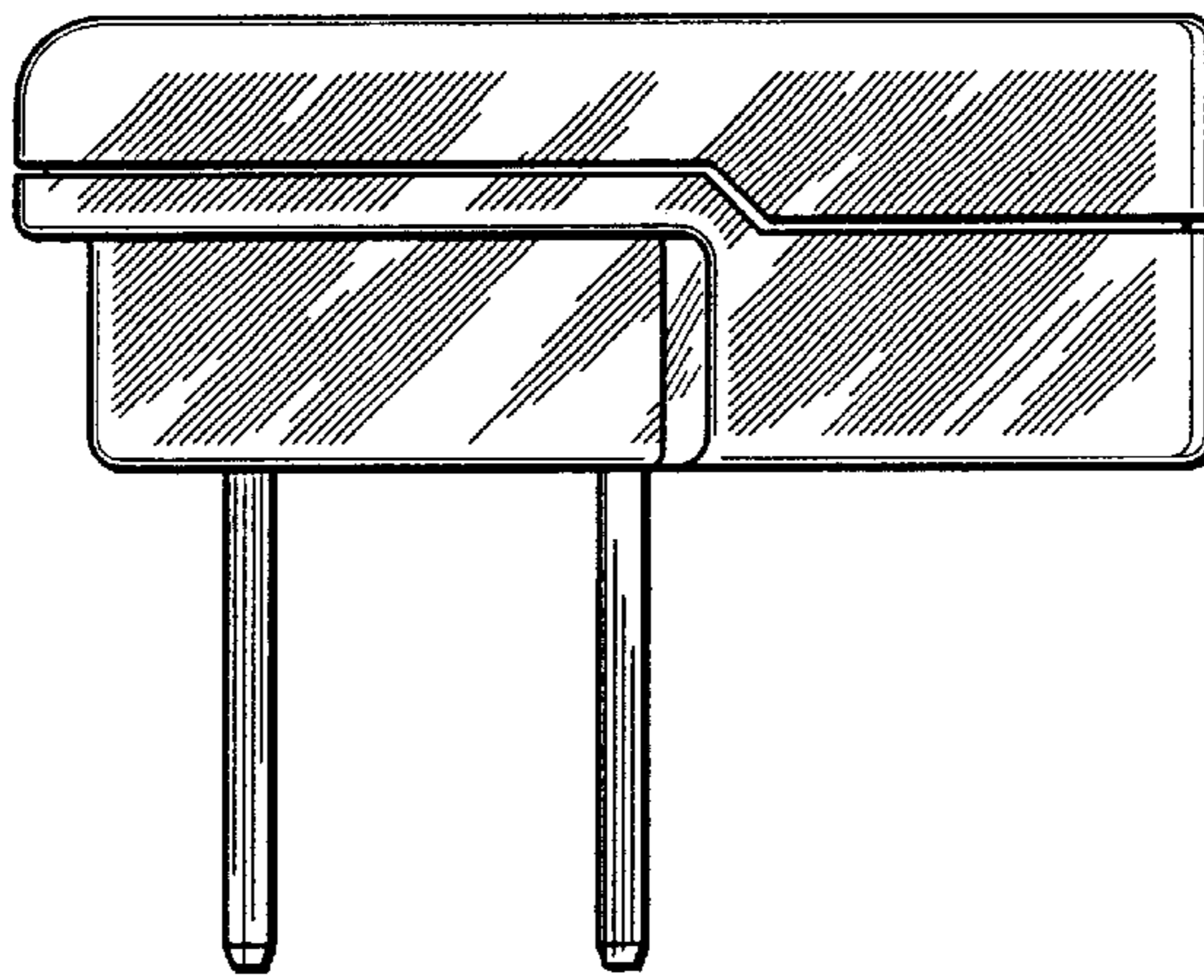


FIG.4

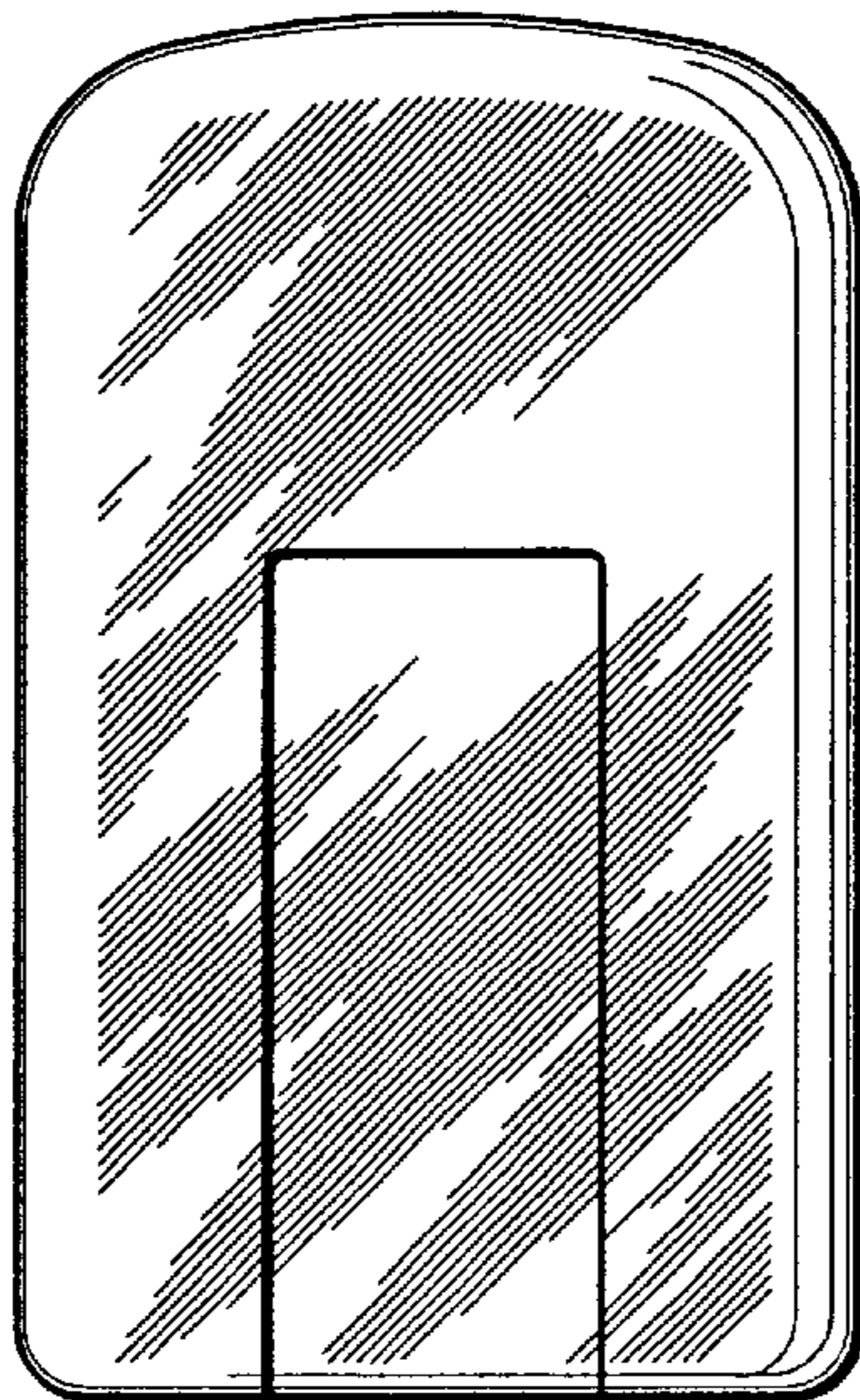


FIG.5

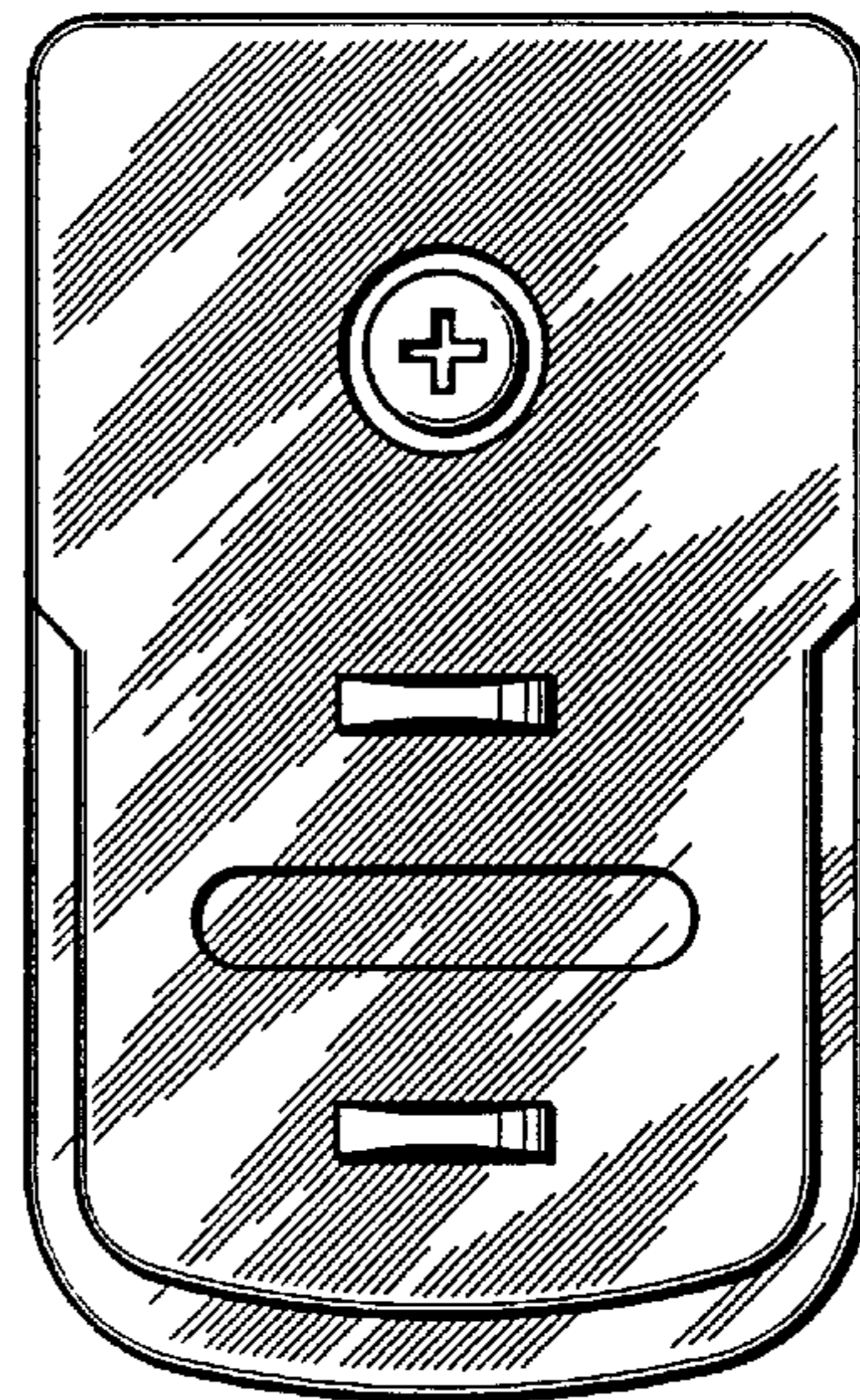
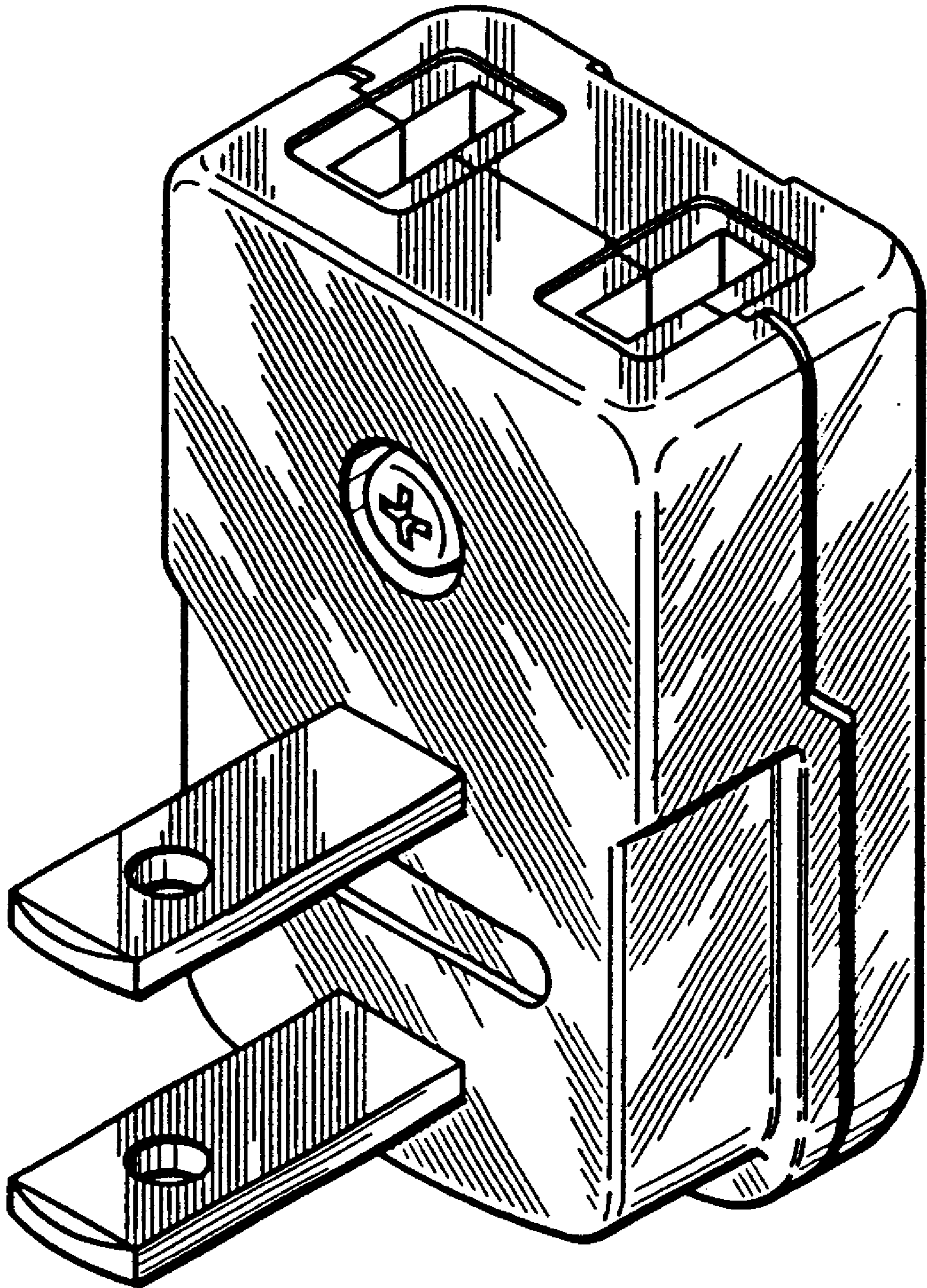


FIG.6



UNITED STATES PATENT AND TRADEMARK OFFICE
CERTIFICATE OF CORRECTION

PATENT NO. : Des 450,036 S
DATED : November 6, 2001
INVENTOR(S) : Isao Okamoto

Page 1 of 1

It is certified that error appears in the above-identified patent and that said Letters Patent is hereby corrected as shown below:

Title page,

Under item [30], **Foreign Application Priority Data:**", change "12" to -- 2000 --

Signed and Sealed this

Ninth Day of April, 2002

Attest:



Attesting Officer

JAMES E. ROGAN
Director of the United States Patent and Trademark Office