



US00D450035B1

(12) **United States Design Patent**
Ahlgren

(10) **Patent No.: US D450,035 S**

(45) **Date of Patent: ** Nov. 6, 2001**

(54) **COVER FOR A CASE FOR BATTERY CELLS**

(75) Inventor: **Lars-Olov Ahlgren, Vikmanshyttan (SE)**

(73) Assignee: **Johnson Controls Technology Company, Plymouth, MI (US)**

(**) Term: **14 Years**

(21) Appl. No.: **29/135,419**

(22) Filed: **Jan. 11, 2001**

(30) **Foreign Application Priority Data**

Jul. 11, 2000 (SE) 001266

(51) **LOC (7) Cl. 13-02**

(52) **U.S. Cl. D13/119**

(58) **Field of Search D13/119; 429/138, 429/163, 175, 177**

(56) **References Cited**

U.S. PATENT DOCUMENTS

D. 283,812	5/1986	Liataud et al.	D13/4
D. 303,373	9/1989	Ching, Jr.	D13/103
D. 304,926	12/1989	Ching, Jr.	D13/103
D. 304,927	12/1989	Ching, Jr.	D13/103
D. 307,133	4/1990	Ching, Jr.	D13/103
D. 307,886	5/1990	Ching, Jr.	D13/103
816,384	3/1906	Schneider	429/99
912,705	2/1909	Mason	429/100
1,699,446	1/1929	Porth	429/159
2,050,172	8/1936	Gordon	429/27
3,510,376	5/1970	Freire et al.	136/181
4,227,140	10/1980	Nardella et al.	302/2
4,346,151	8/1982	Uba et al.	429/54
4,383,011	5/1983	McClelland	429/54
4,407,911	10/1983	Hooke	429/99
4,510,215	4/1985	Adam	D13/4
4,554,221	11/1985	Schmid	429/99
4,592,972	6/1986	Juergens et al.	429/160
4,724,190 *	2/1988	Siga et al.	429/176 X
4,780,379	10/1988	Puester	429/160
5,283,137 *	2/1994	Ching	429/175

5,415,956 *	5/1995	Ching	429/187
5,498,488 *	3/1996	Stocchiero	429/175 X
5,578,392 *	11/1996	Kawamura	429/178 X
5,856,037 *	1/1999	Casale et al.	429/175 X
5,895,728 *	4/1999	Walker et al.	429/176 X
5,922,490 *	7/1999	Kump	429/163
6,004,689 *	12/1999	Walker et al.	429/177 X
6,071,642 *	6/2000	Pospiech et al.	429/175
6,174,618 *	1/2001	Nishiyama et al.	429/99

* cited by examiner

Primary Examiner—Joel Sincavage

(74) *Attorney, Agent, or Firm*—Quarles & Brady LLP

(57) **CLAIM**

The ornamental design for a cover for a case for battery cells, as shown and described.

DESCRIPTION

In a preferred embodiment, the nature of this product is as a vehicle battery.

FIG. 1 is a left, top, front perspective view of a first embodiment for a cover for a case for battery cells embodying our new design;

FIG. 2 is a front elevational view thereof;

FIG. 3 is a left side elevational view thereof, the right side elevational view being a mirror image of the left side elevational view shown;

FIG. 4 is a rear elevational view thereof;

FIG. 5 is a top plan view thereof;

FIG. 6 is a bottom plan view thereof;

FIG. 7 is a left, top, front perspective view of a second embodiment of a cover for a case for battery cells identical to the first embodiment in front view, side view, rear view and bottom view; and,

FIG. 8 is a top plan view thereof.

The broken line representations to the battery case in FIGS. 1-8 and the bottom panel are for the purpose of illustrating the environment of the cover and form no part of the claimed design. The broken lines on the top surface of FIGS. 7 and 8 illustrate features of the cover that form no part of the second embodiment.

1 Claim, 3 Drawing Sheets

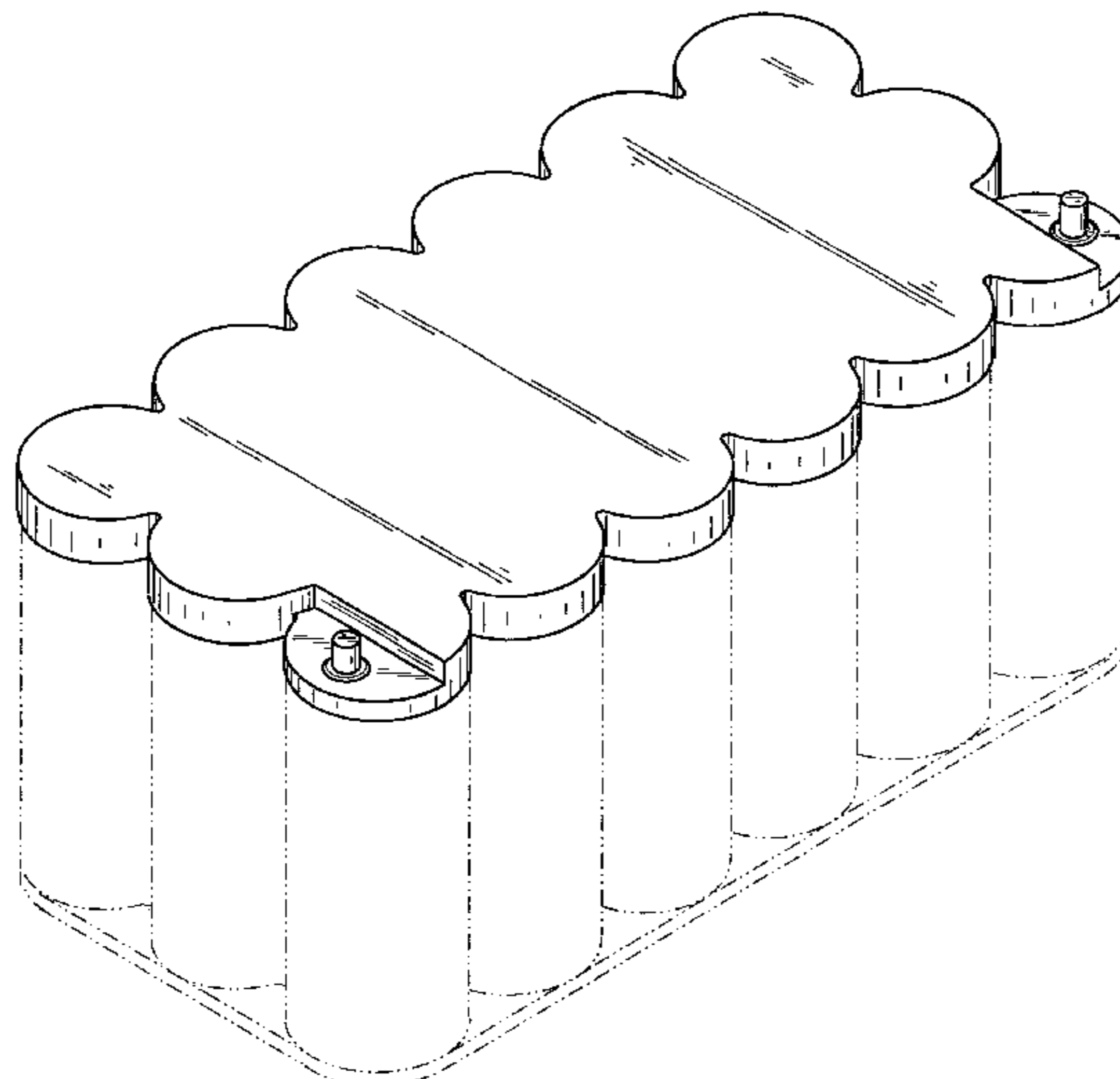


FIG. 1

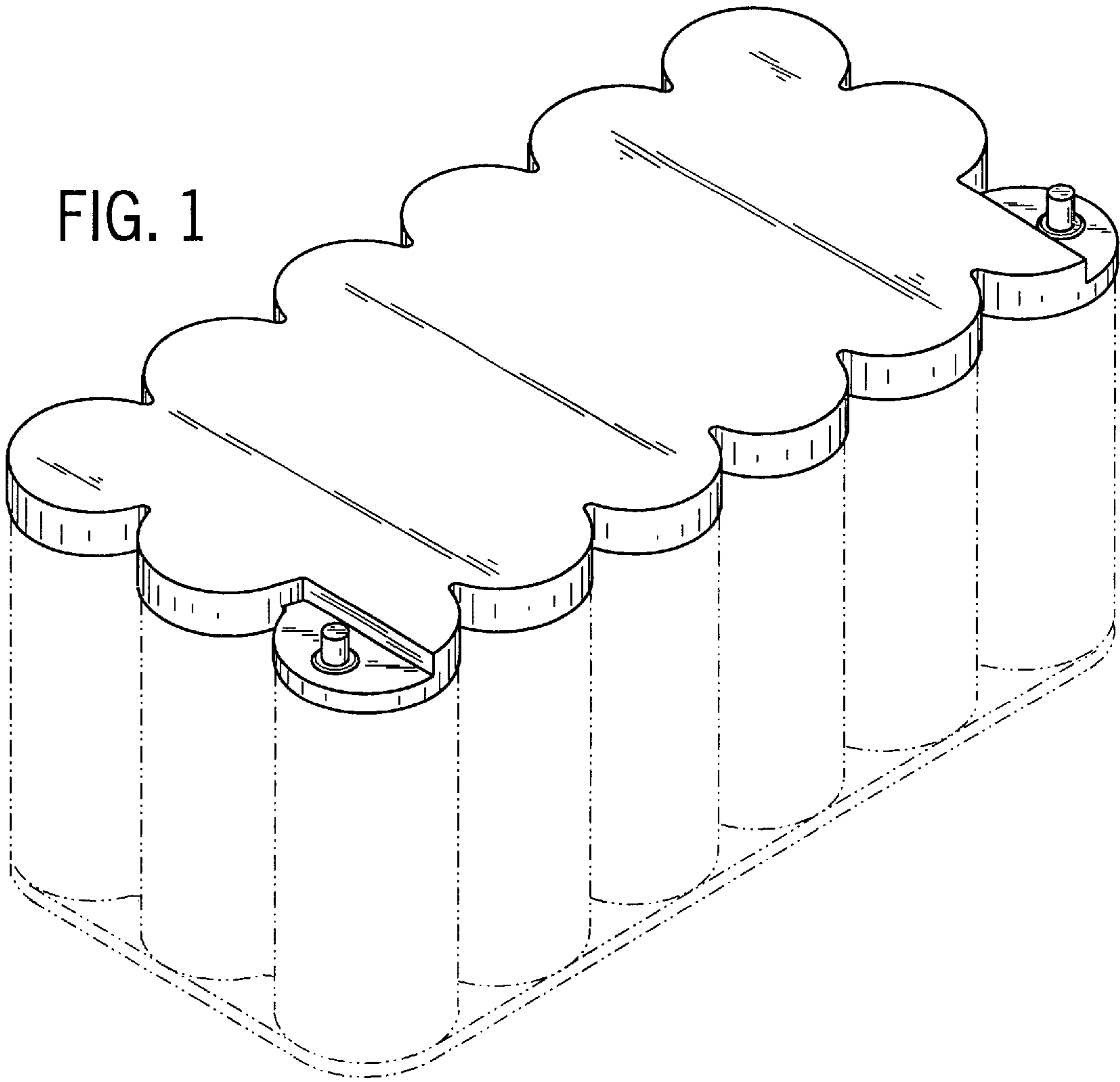
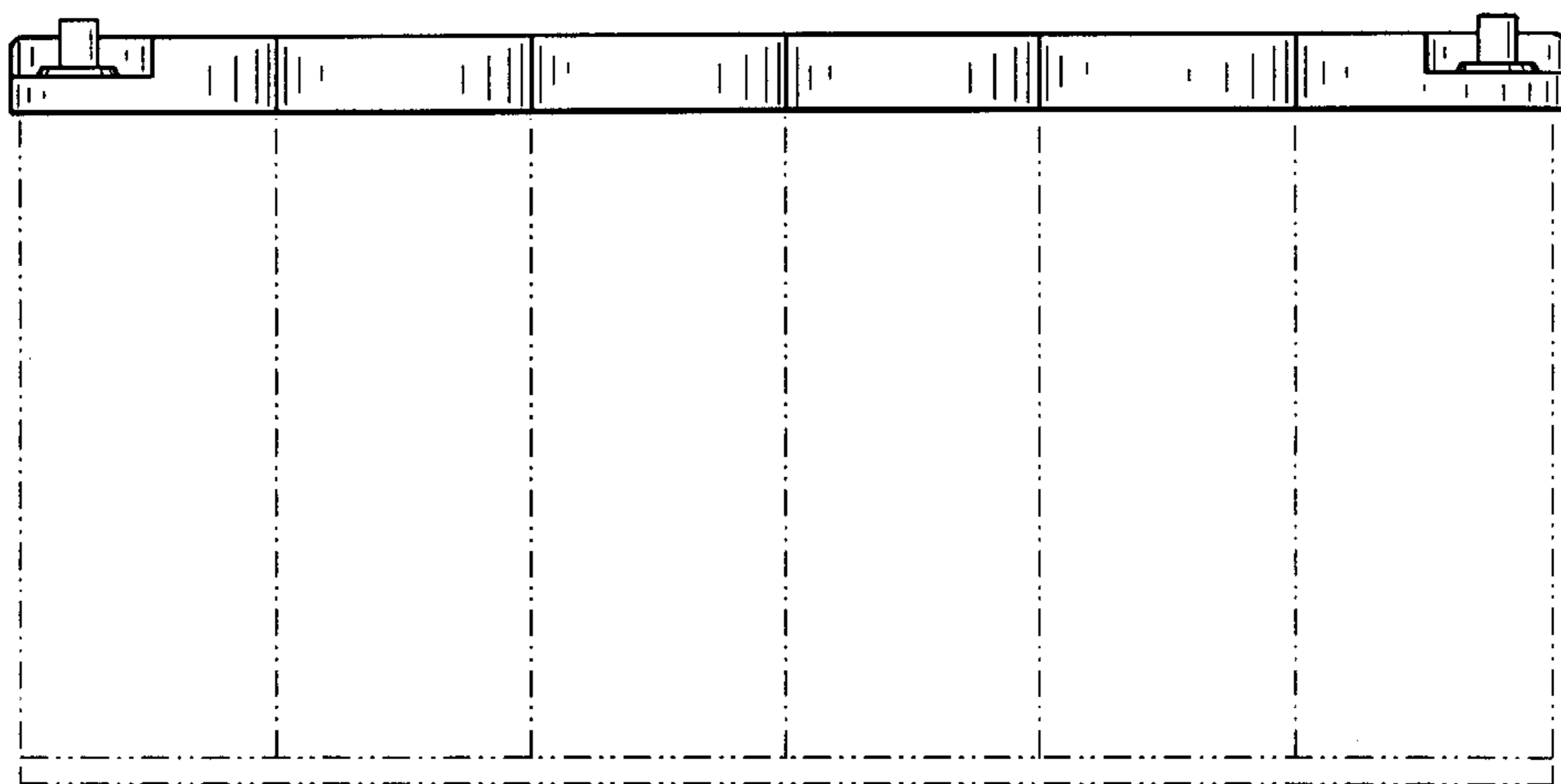


FIG. 2



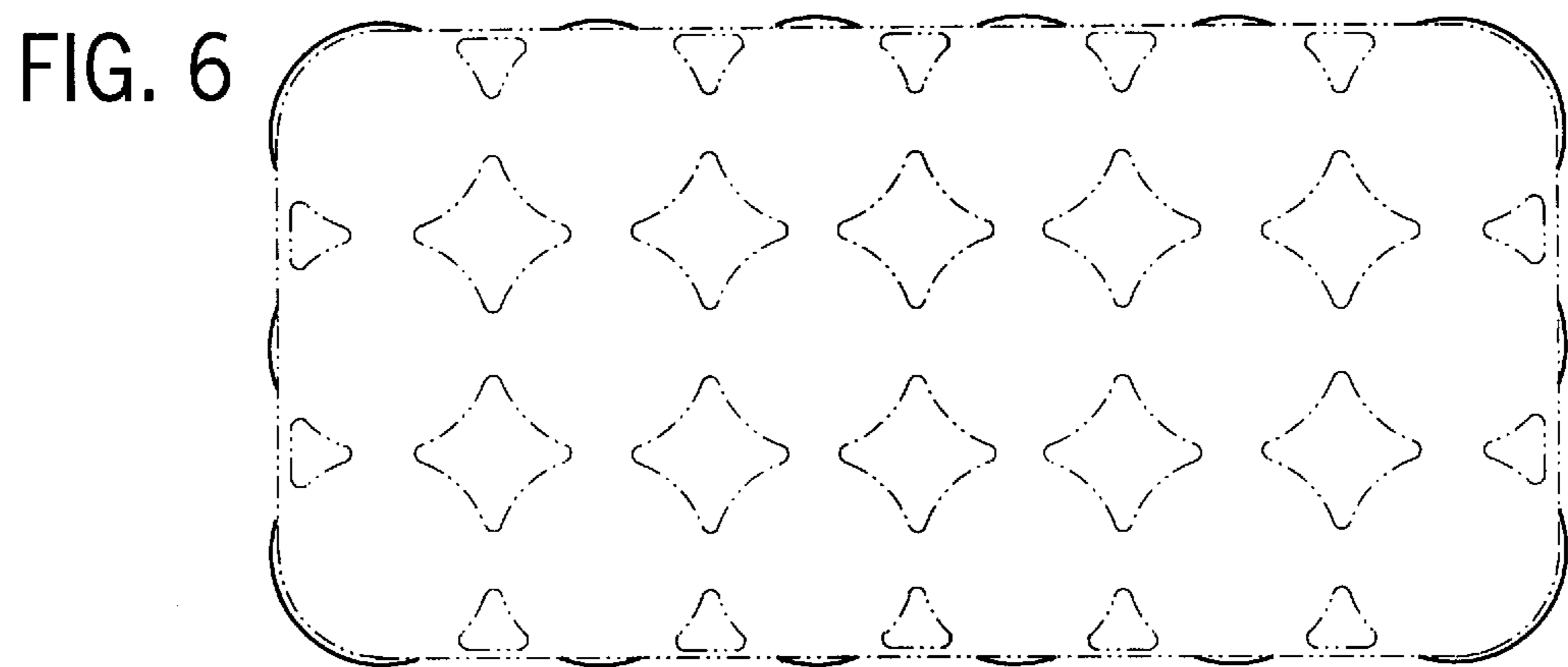
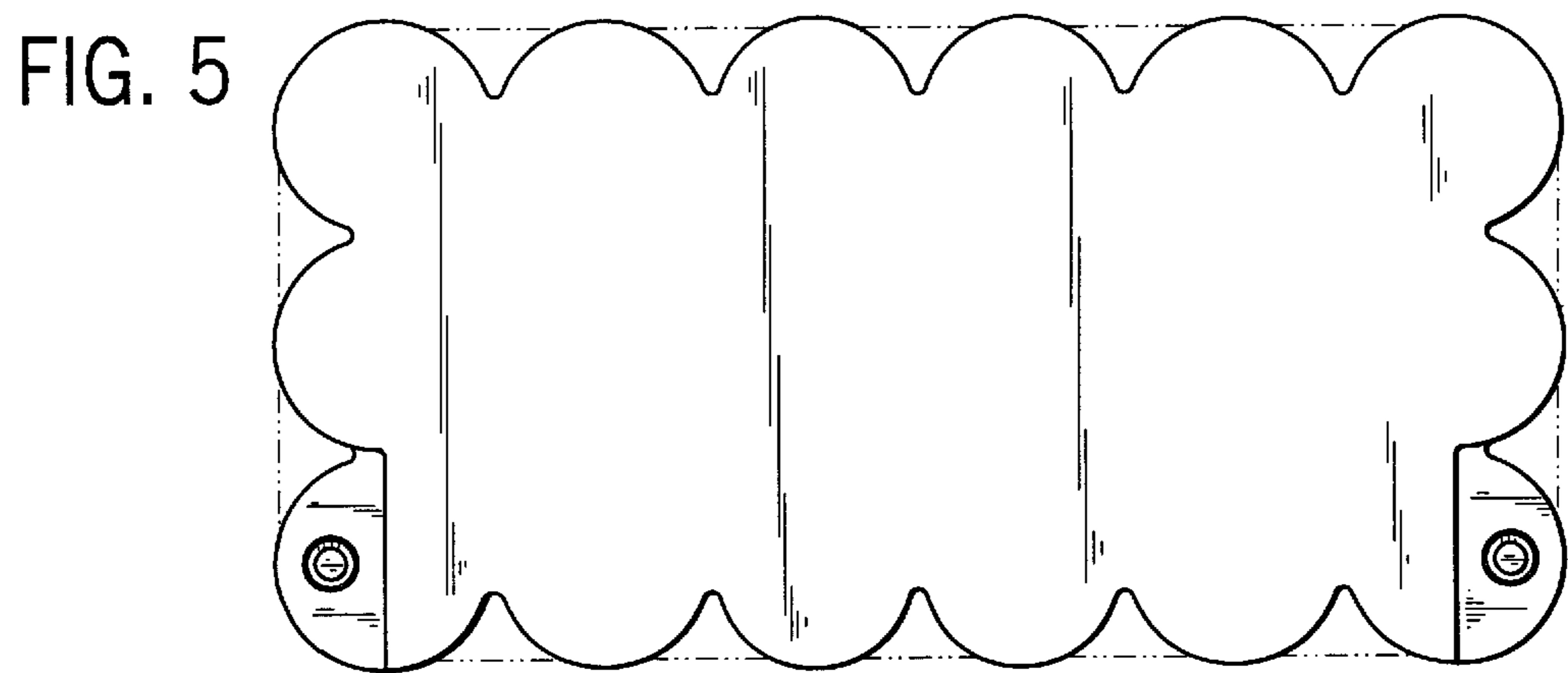
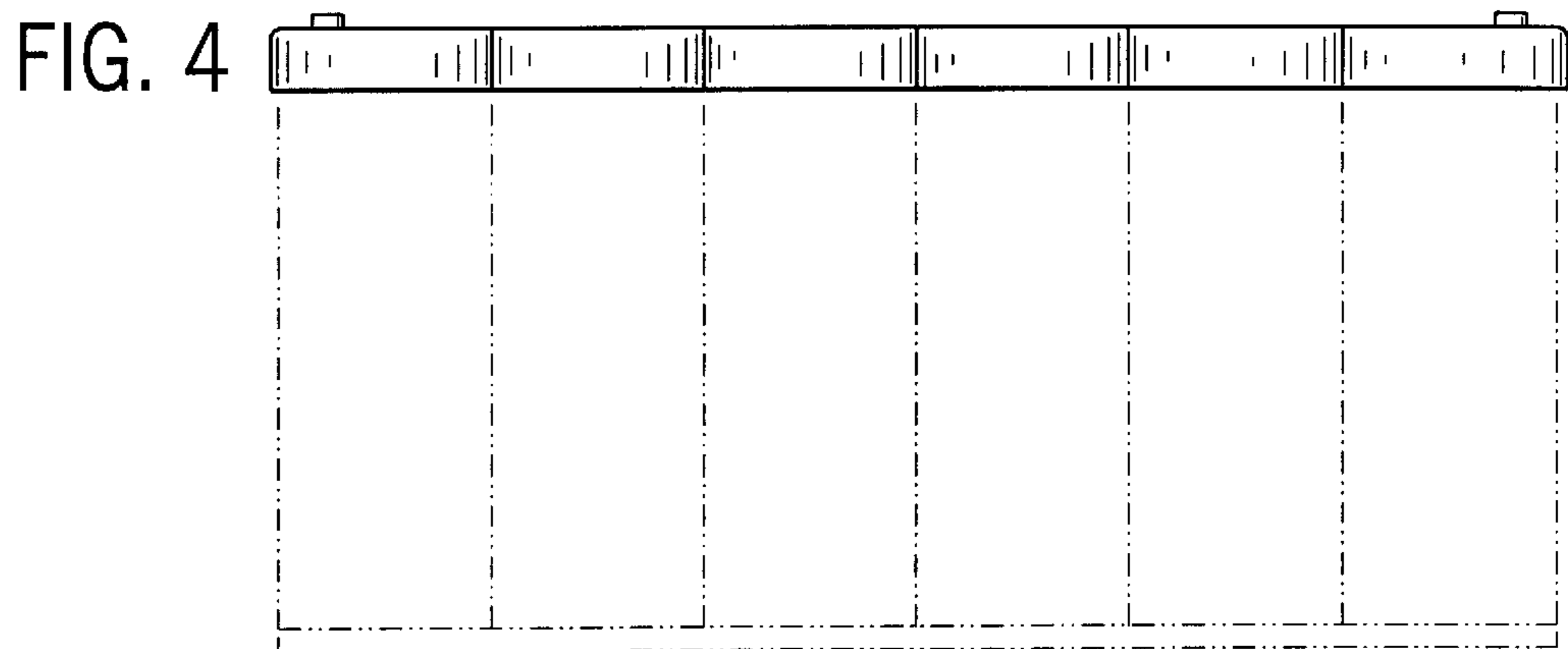
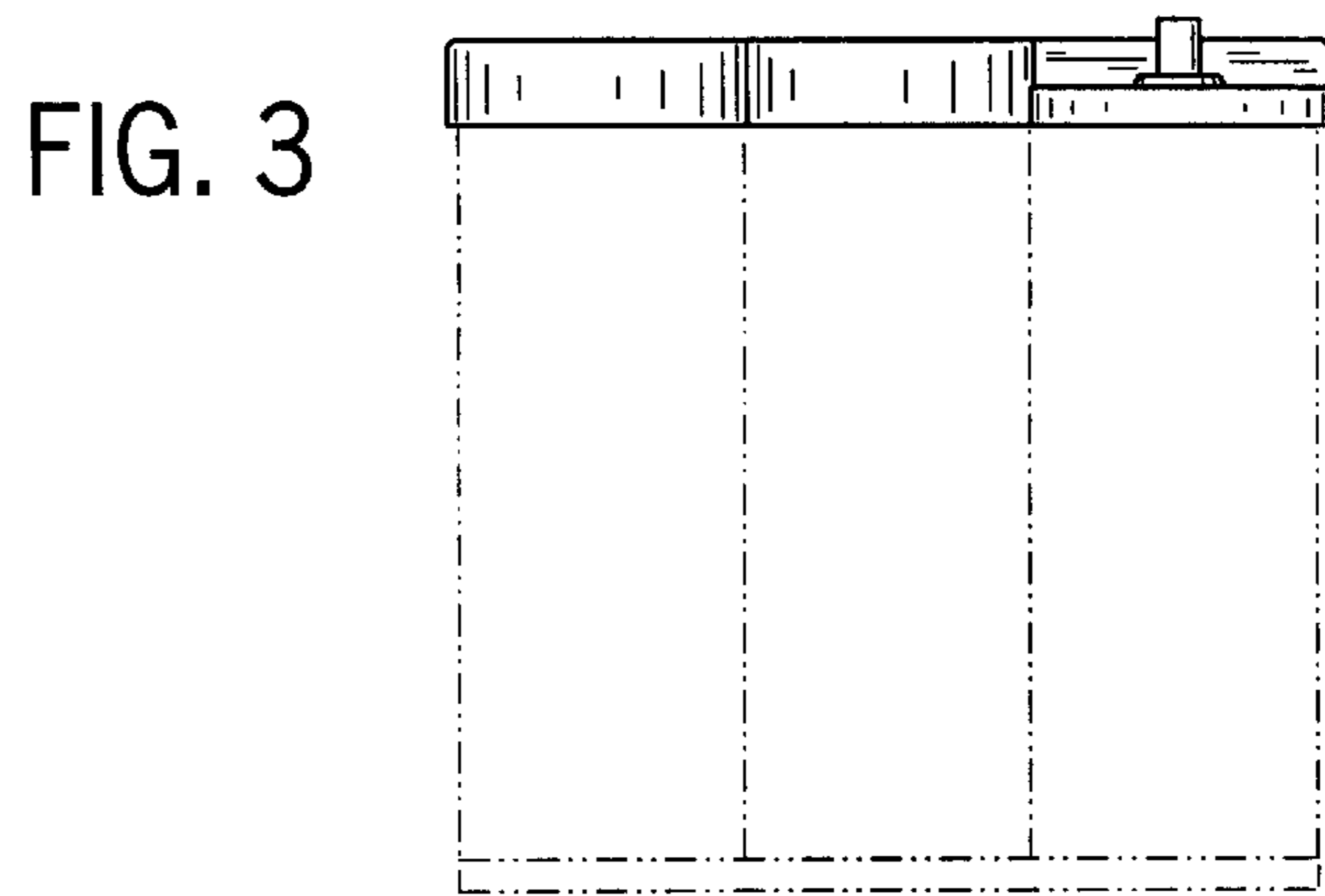


FIG. 7

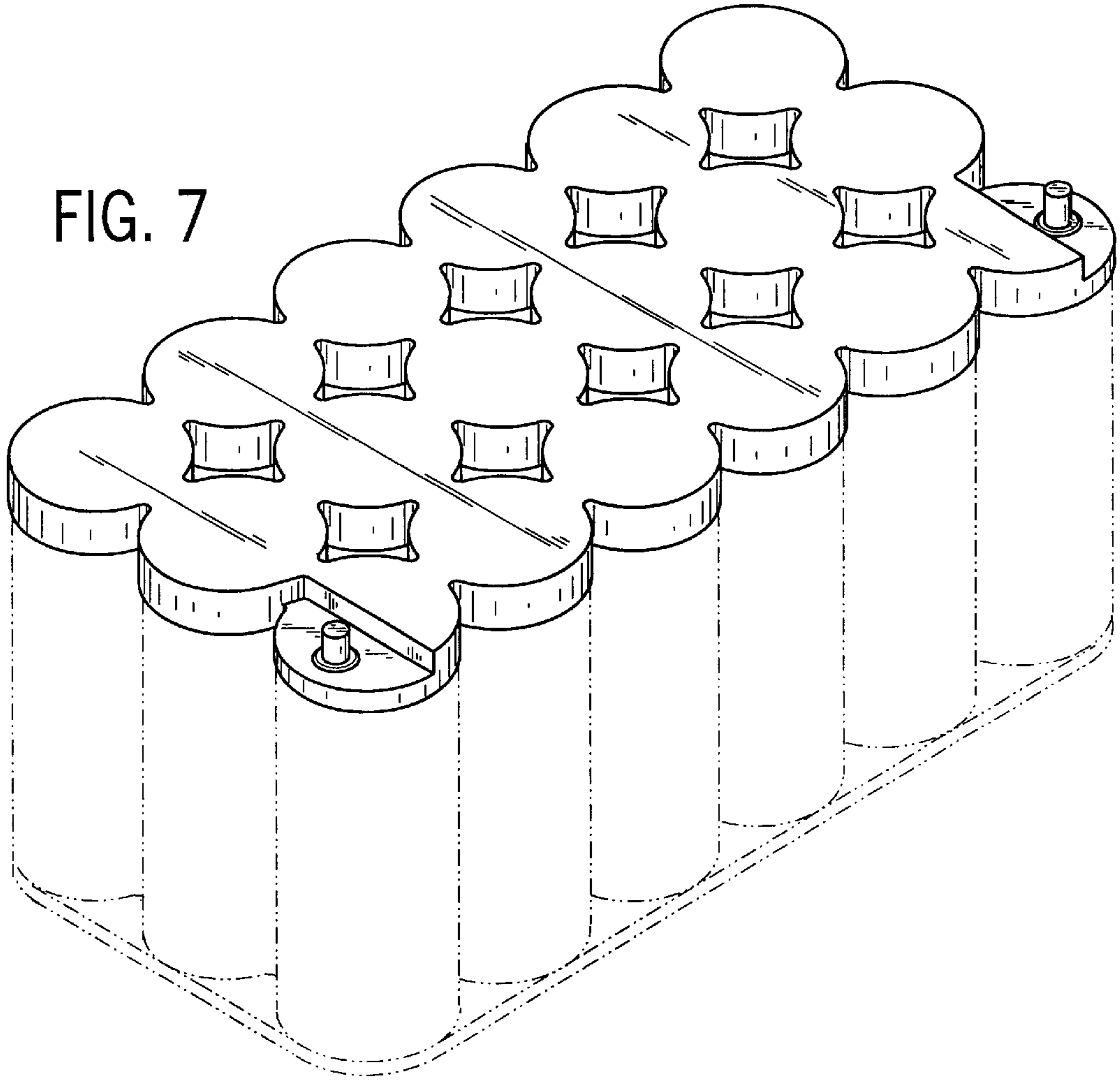


FIG. 8

