



US00D450030B1

(12) **United States Design Patent**
Pfeiffer

(10) **Patent No.:** **US D450,030 S**

(45) **Date of Patent:** **** Nov. 6, 2001**

(54) **FRONT FACE OF A VEHICLE WHEEL**

(75) **Inventor:** **Peter Pfeiffer**, Boeblingen (DE)

(73) **Assignee:** **DaimlerChrysler AG**, Stuttgart (DE)

(**) **Term:** **14 Years**

(21) **Appl. No.:** **29/126,628**

(22) **Filed:** **Jul. 21, 2000**

Related U.S. Application Data

(63) Continuation-in-part of application No. 29/126,166, filed on Jul. 12, 2000.

(30) **Foreign Application Priority Data**

Jan. 27, 2000 (DE) 400 00 754

(51) **LOC (7) Cl.** **12-16**

(52) **U.S. Cl.** **D12/211**

(58) **Field of Search** D12/204-211;
301/37.1, 64.1, 65

(56) **References Cited**

U.S. PATENT DOCUMENTS

- D. 337,563 * 7/1993 Boselli D12/209
- D. 373,562 * 9/1996 Cole D12/211
- D. 388,047 * 12/1997 Pfeiffer et al. D12/211
- D. 407,681 * 4/1999 Sacco et al. D12/209
- D. 408,346 * 4/1999 Goplen D12/211
- D. 409,968 * 5/1999 Goplen D12/211

- D. 413,298 * 8/1999 Hussaini et al. D12/211
- D. 416,534 * 11/1999 Couzyn et al. D12/211
- D. 418,473 * 1/2000 Chung D12/211
- D. 424,500 * 5/2000 Johnson D12/209
- D. 427,131 * 6/2000 Wang D12/209

OTHER PUBLICATIONS

Custom Wheel & Tire Style Guide, p. 33, See Evo Wheel; p. 45, see p. 275; p. 51, see type 27 wheel, May 1993.*

* cited by examiner

Primary Examiner—Stacia Cadmus

(74) *Attorney, Agent, or Firm*—Crowell & Moring LLP

(57) **CLAIM**

The ornamental design for a front face of a vehicle wheel, as shown and described.

DESCRIPTION

FIG. 1 is a front view of a first embodiment of a front face of a vehicle wheel according to my novel design;

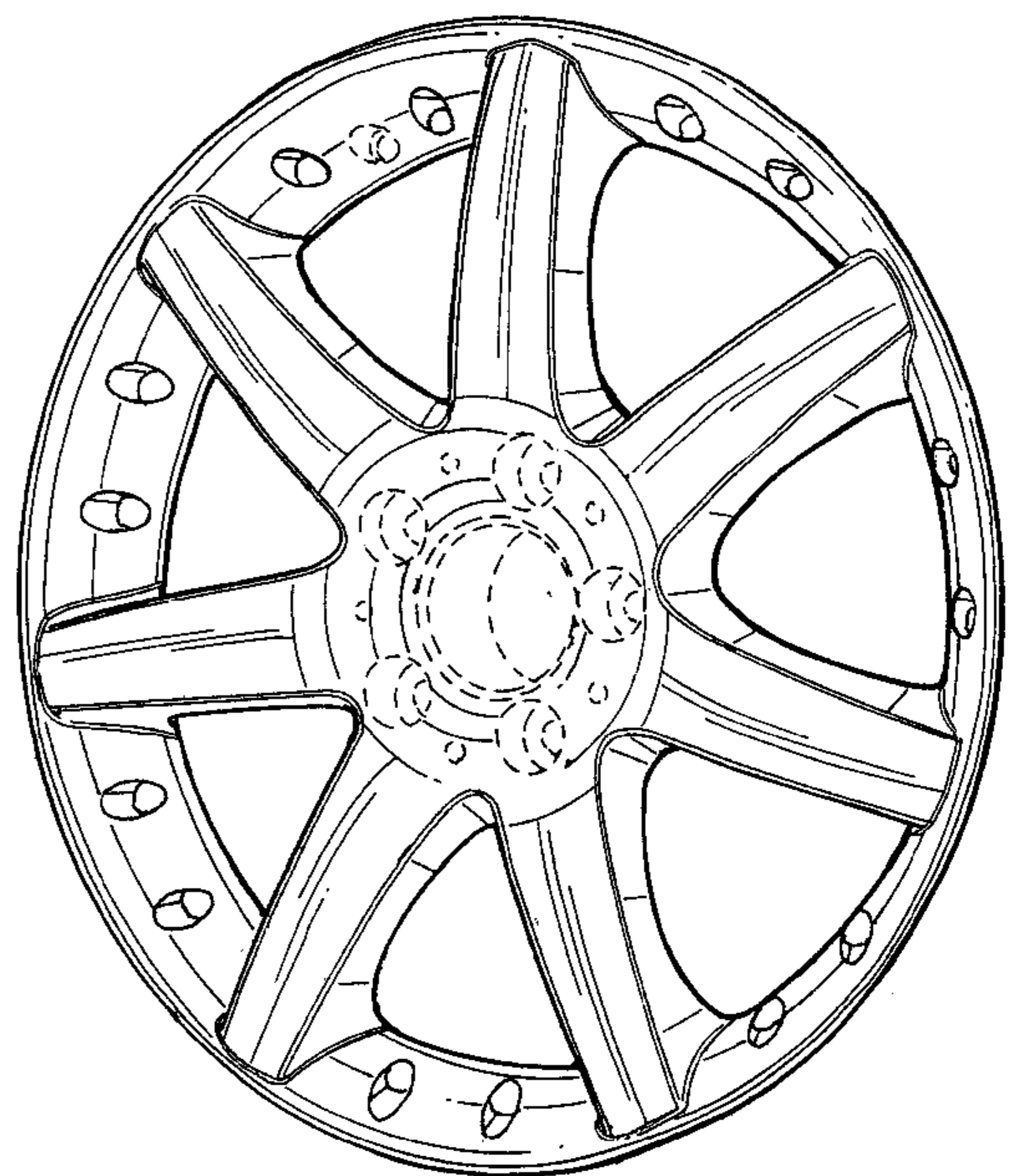
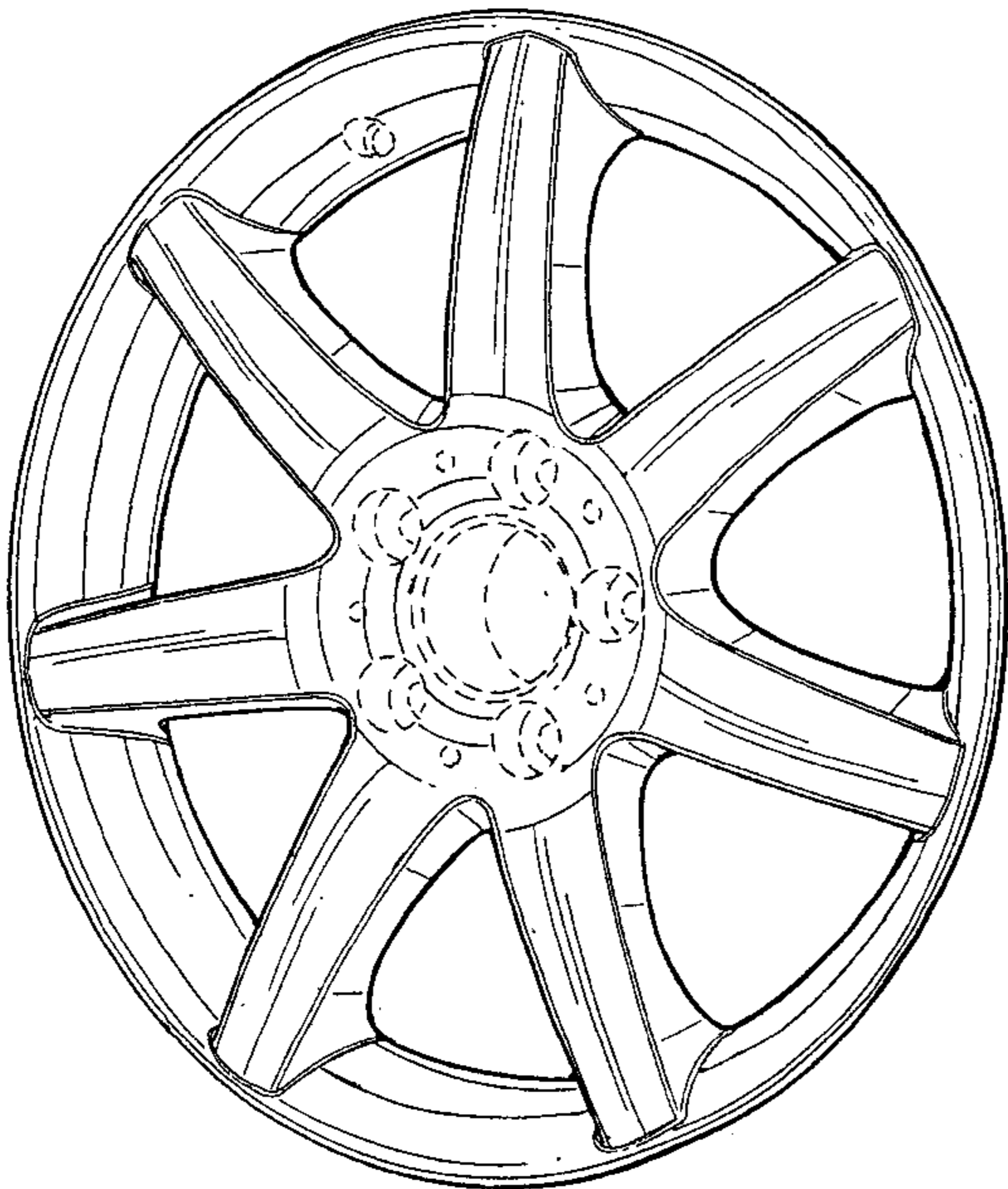
FIG. 2 is a perspective view of the first embodiment of the front face of a vehicle wheel according to my novel design;

FIG. 3 is a front view of a second embodiment of the front face of a vehicle wheel according to my novel design; and,

FIG. 4 is a perspective view of the second embodiment of the front face of a vehicle wheel according to my novel design.

The dash lines included depict environment and are not part of the claimed design.

1 Claim, 2 Drawing Sheets



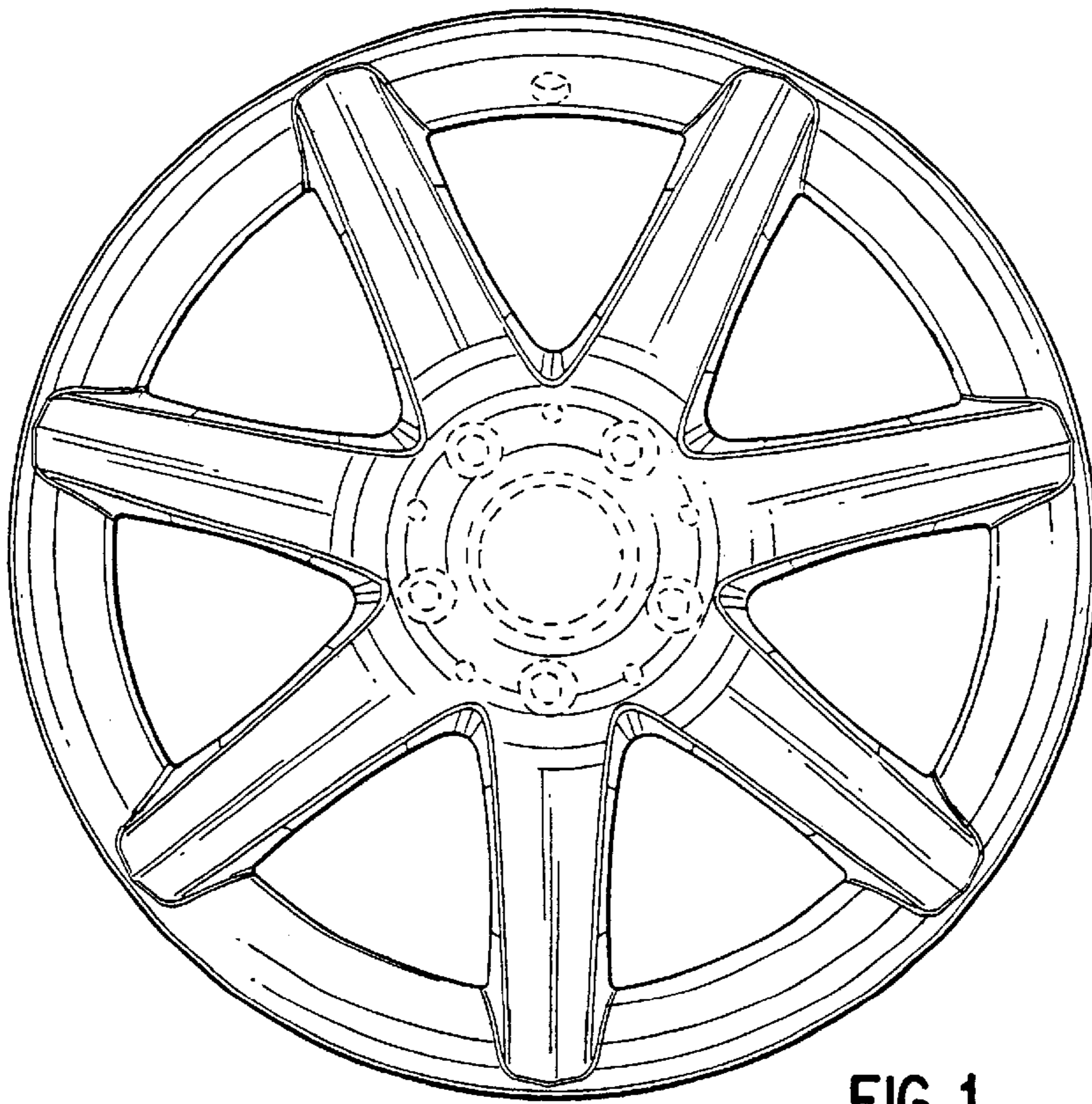


FIG. 1

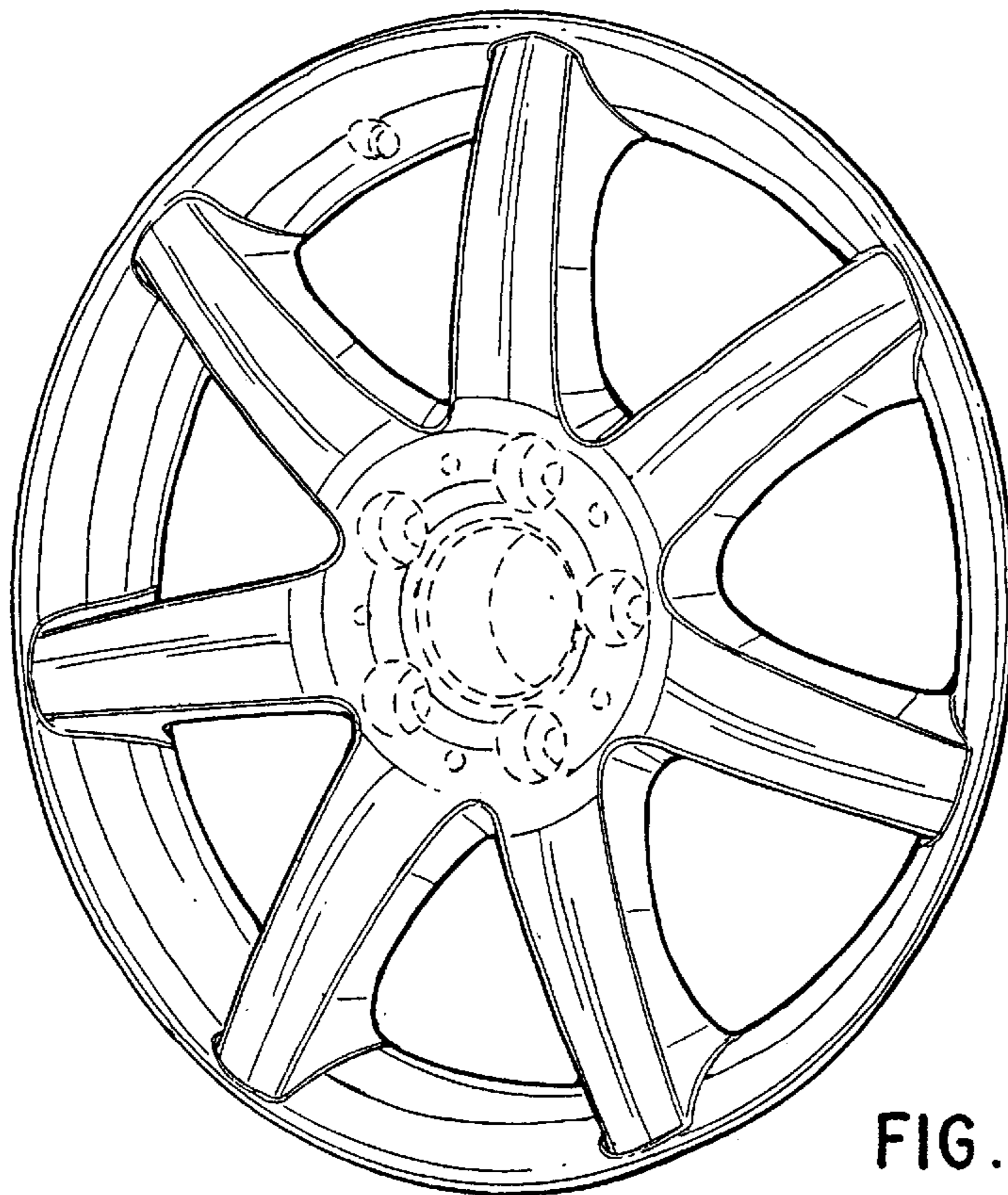


FIG. 2

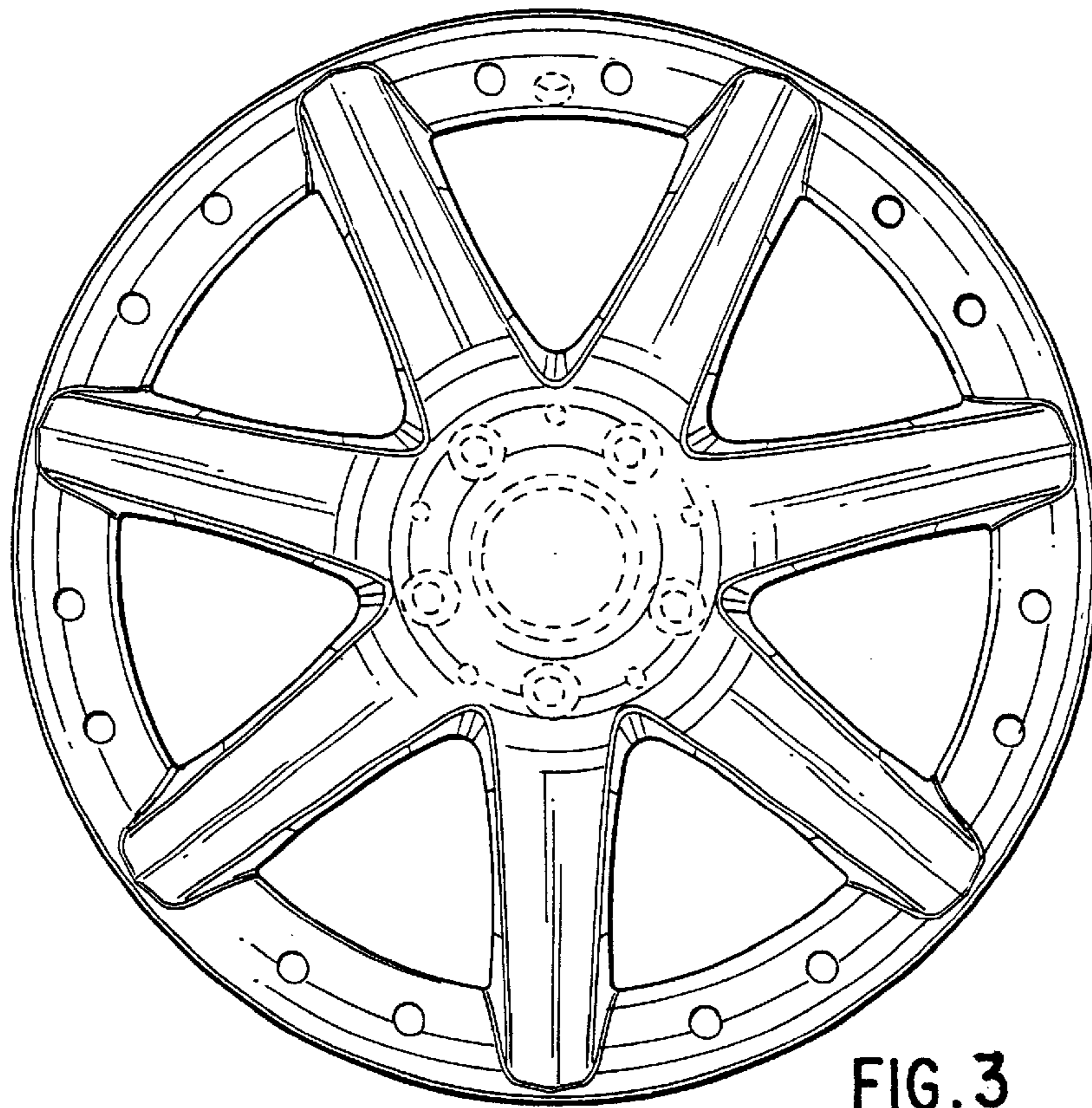


FIG. 3

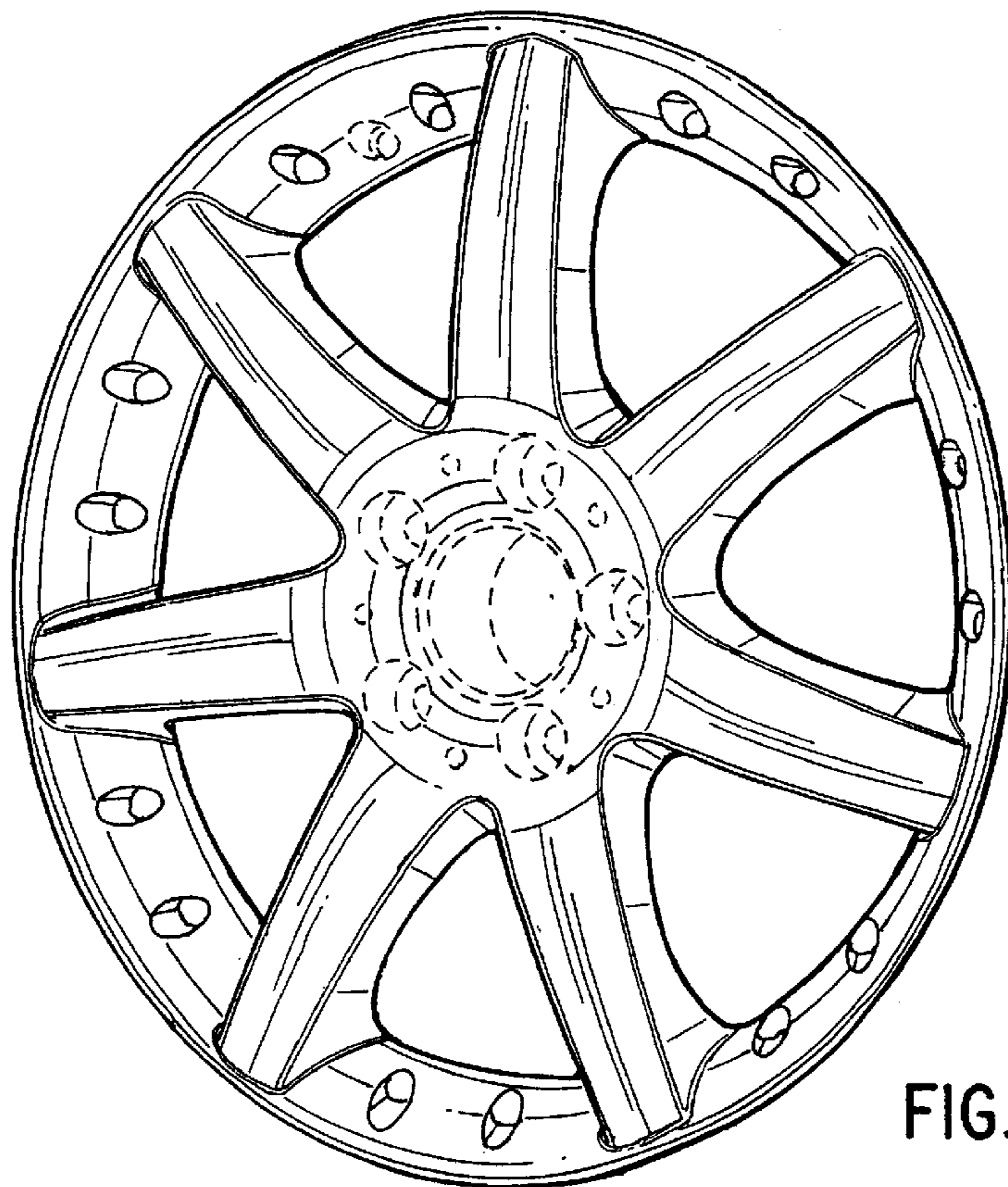


FIG. 4