



US00D450029B1

(12) **United States Design Patent**
Kuribayashi

(10) **Patent No.:** **US D450,029 S**

(45) **Date of Patent:** **** Nov. 6, 2001**

(54) **VEHICLE WHEEL**

(75) **Inventor:** **Misao Kuribayashi**, Rochester Hills,
MI (US)

(73) **Assignee:** **Enkei International, Inc.**, Fort Worth,
TX (US)

(**) **Term:** **14 Years**

(21) **Appl. No.:** **29/121,137**

(22) **Filed:** **Mar. 31, 2000**

(51) **LOC (7) Cl.** **12-16**

(52) **U.S. Cl.** **D12/211**

(58) **Field of Search** D12/204-211;
301/37.1, 64.1, 65

D. 410,614	*	6/1999	Fitzgerald	D12/209
D. 431,517	*	10/2000	Donikoglu	D12/209
D. 431,807	*	10/2000	Fitzgerald	D12/211
D. 432,479	*	10/2000	Lee et al.	D12/209
D. 433,371	*	11/2000	Donikoglu	D12/209
D. 436,070	*	1/2001	Lee	D12/209
D. 436,568	*	1/2001	Chung	D12/209
D. 436,907	*	1/2001	Ong	D12/209
D. 436,912	*	1/2001	Boyer	D12/211

* cited by examiner

Primary Examiner—Stacia Cadmus

(74) *Attorney, Agent, or Firm*—Rader, Fishman & Grauer
PLLC

(57) **CLAIM**

The ornamental design for a vehicle wheel, as shown and described.

(56) **References Cited**

U.S. PATENT DOCUMENTS

D. 208,541	*	9/1967	Radar	D12/211
D. 215,652	*	10/1969	Griffith	D12/211
D. 235,864	*	7/1975	Gageby	D12/211
D. 284,182	*	6/1986	Hedlund	D12/211
D. 286,278	*	10/1986	Sandberg	D12/211
D. 292,572	*	11/1987	Schell et al.	D12/211
D. 292,692	*	11/1987	Smith et al.	D12/211
D. 403,648	*	1/1999	Feriero	D12/209

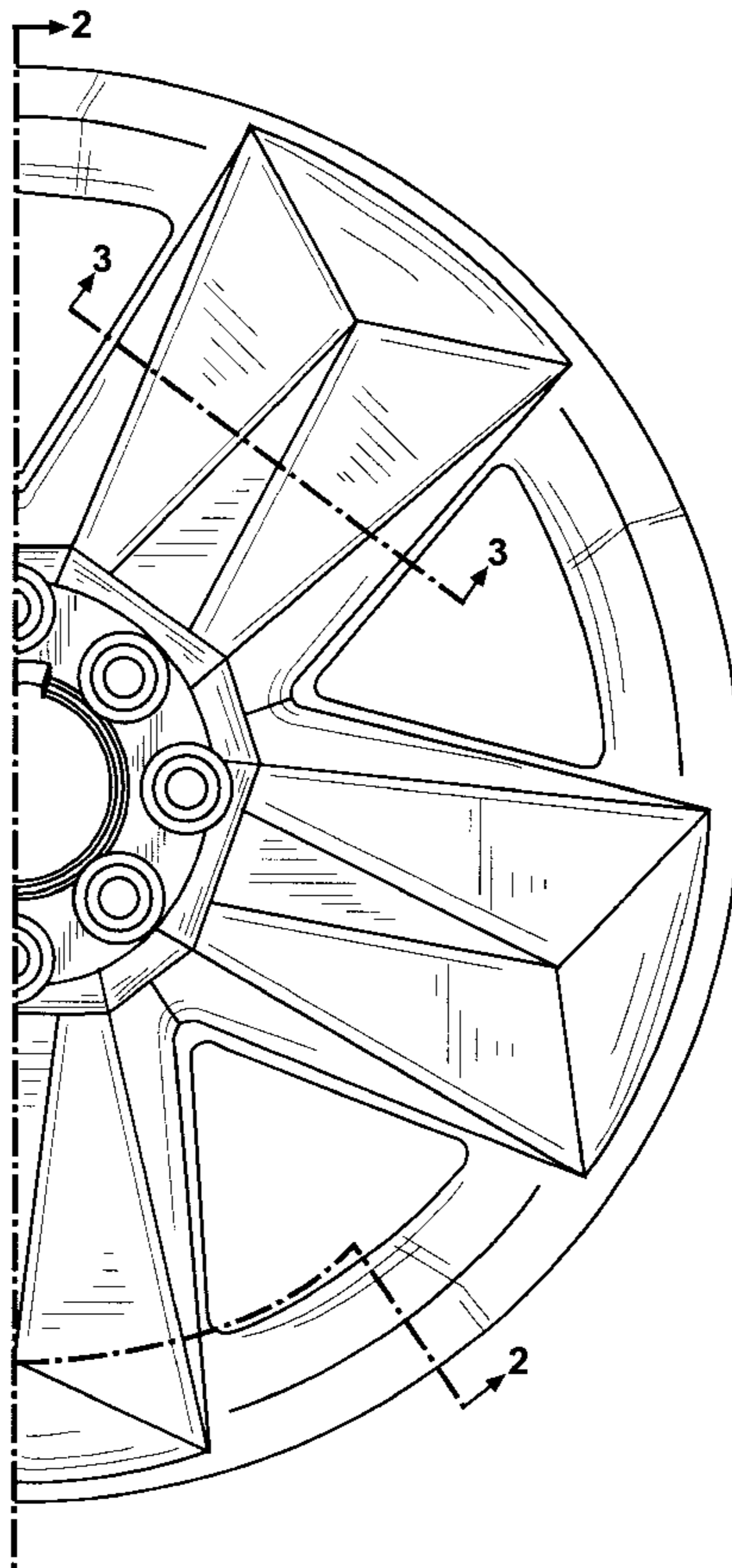
DESCRIPTION

FIG. 1 is a front view of a vehicle wheel, showing my new design;

FIG. 2 is a cross-sectional view taken along line 2—2 in FIG. 1; and,

FIG. 3 is an enlarged cross-sectional view taken along line 3—3 in FIG. 1.

1 Claim, 3 Drawing Sheets



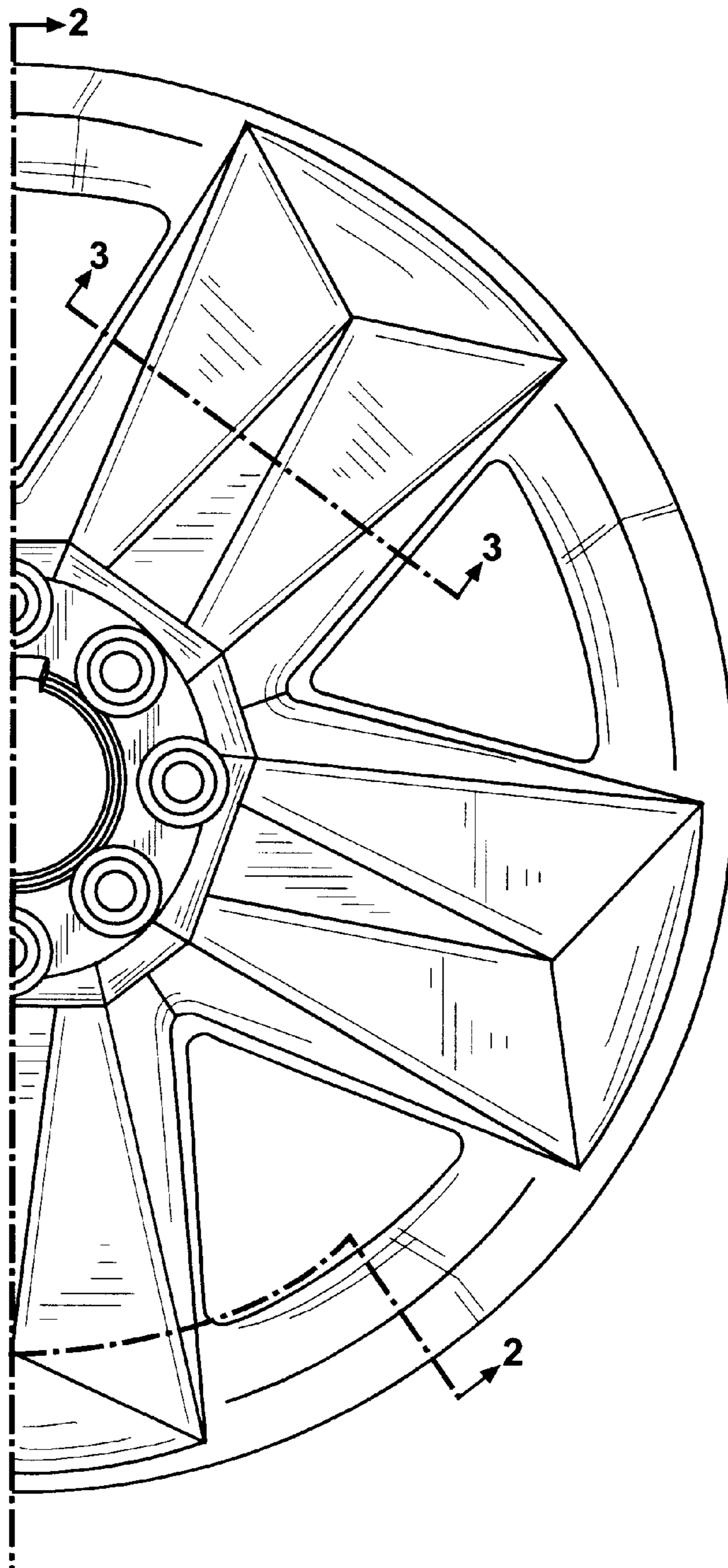


Fig. 1

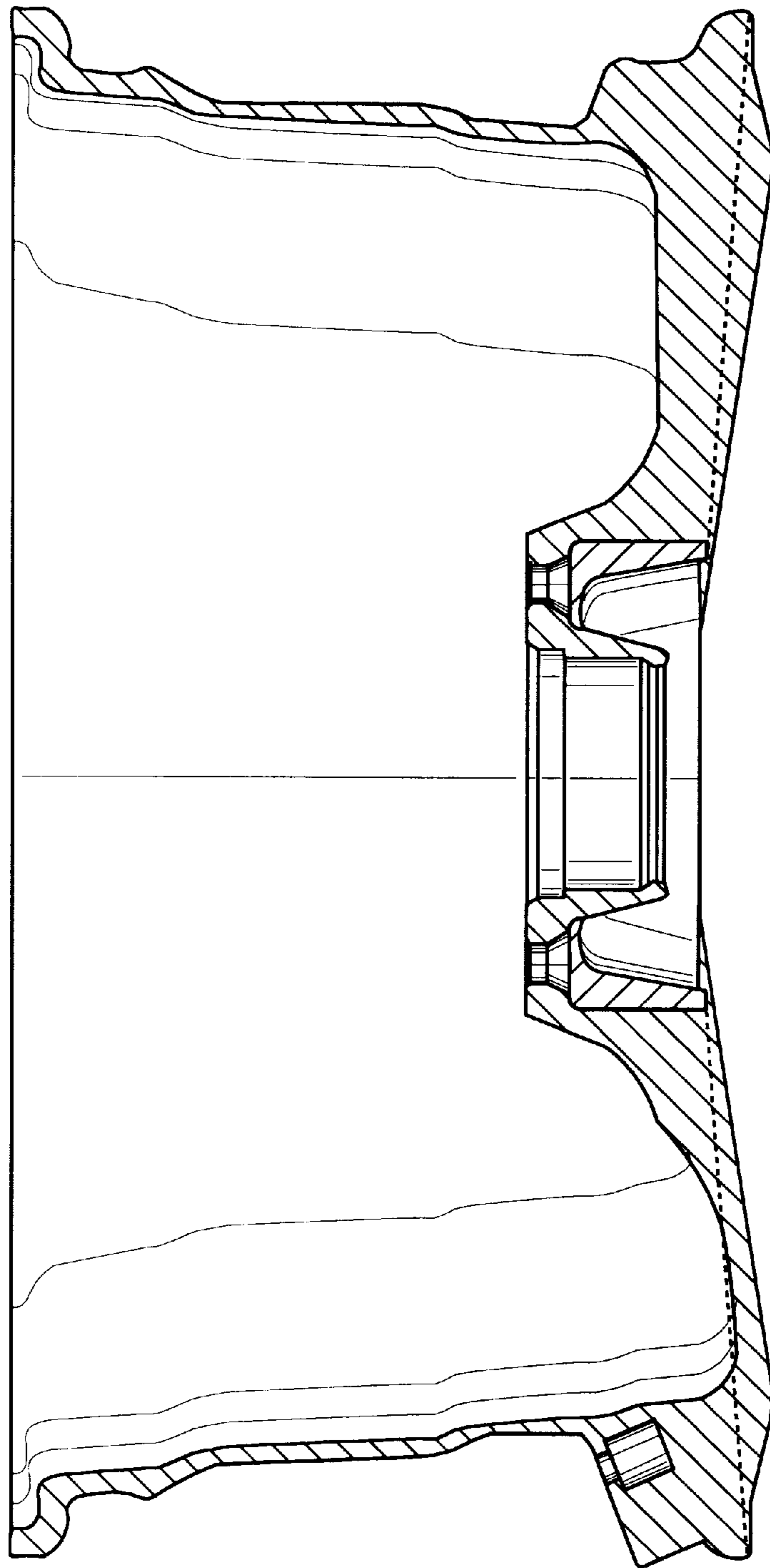


Fig. 2

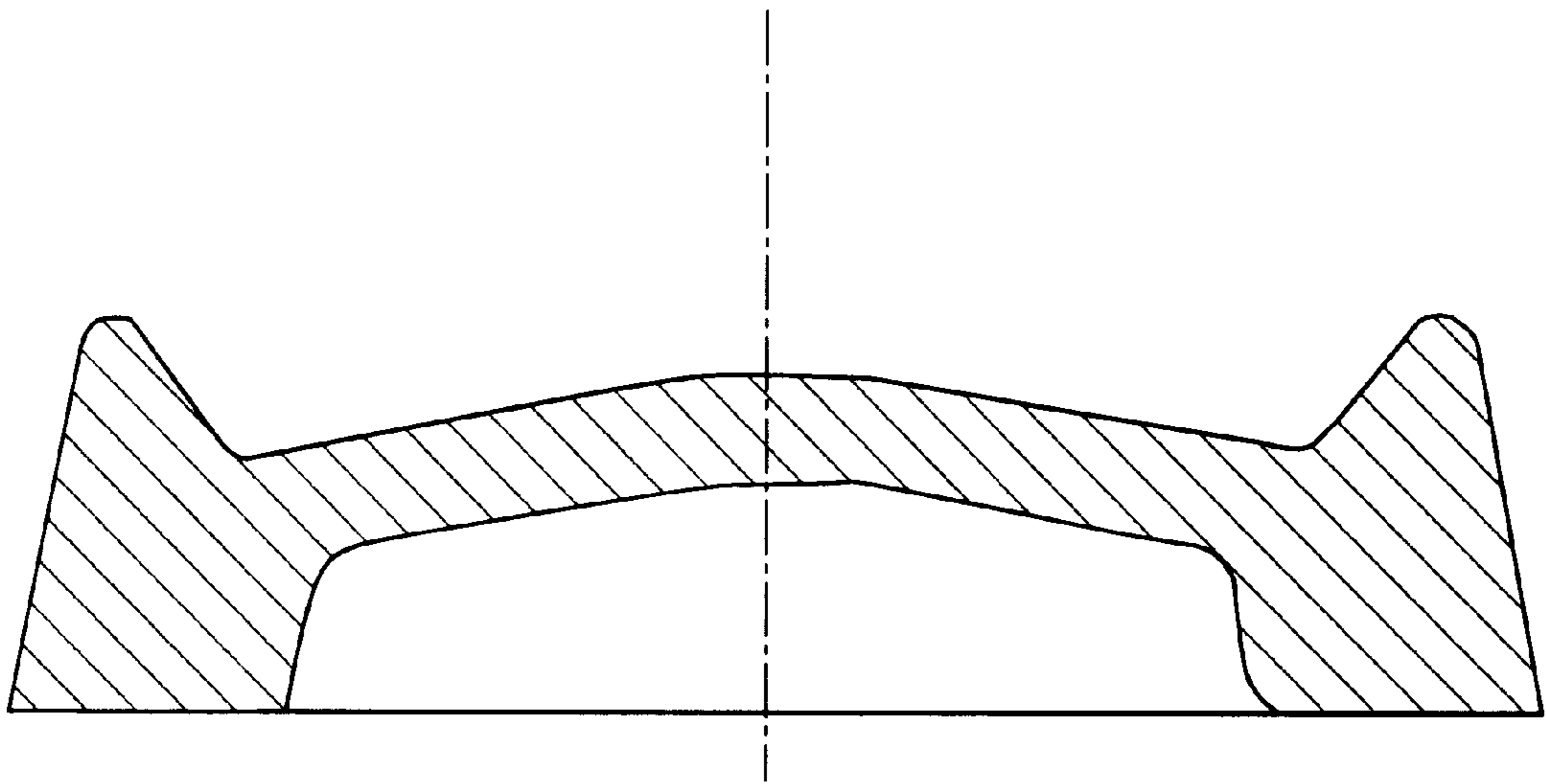


Fig. 3