



US00D450027B1

(12) **United States Design Patent**
Kuribayashi

(10) **Patent No.:** **US D450,027 S**

(45) **Date of Patent:** **** Nov. 6, 2001**

(54) **VEHICLE WHEEL**

(75) **Inventor:** **Misao Kuribayashi**, Rochester Hills,
MI (US)

(73) **Assignee:** **Enkei International, Inc.**, Fort Worth,
TX (US)

(**) **Term:** **14 Years**

(21) **Appl. No.:** **29/121,138**

(22) **Filed:** **Mar. 31, 2000**

(51) **LOC (7) Cl.** **12-16**

(52) **U.S. Cl.** **D12/209**

(58) **Field of Search** D12/204-211;
301/37.1, 64.1, 65

D. 416,532	*	11/1999	Cullen	D12/209
D. 421,417	*	3/2000	Weidhase	D12/209
D. 422,258	*	4/2000	Hale, Jr.	D12/211
D. 427,555	*	7/2000	Hall	D12/209
D. 430,844	*	9/2000	Noriega	D12/211
D. 431,515	*	10/2000	Donikoglu	D12/209

* cited by examiner

Primary Examiner—Stacia Cadmus

(74) *Attorney, Agent, or Firm*—Rader, Fishman & Grauer
PLLC

(57) **CLAIM**

The ornamental design for a vehicle wheel, as shown and described.

DESCRIPTION

FIG. 1 is a front view of a vehicle wheel, showing my new design;

FIG. 2 is a cross-sectional view taken along line 2—2 in FIG. 1;

FIG. 3 is an enlarged cross-sectional view taken along line 3—3 in FIG. 1; and,

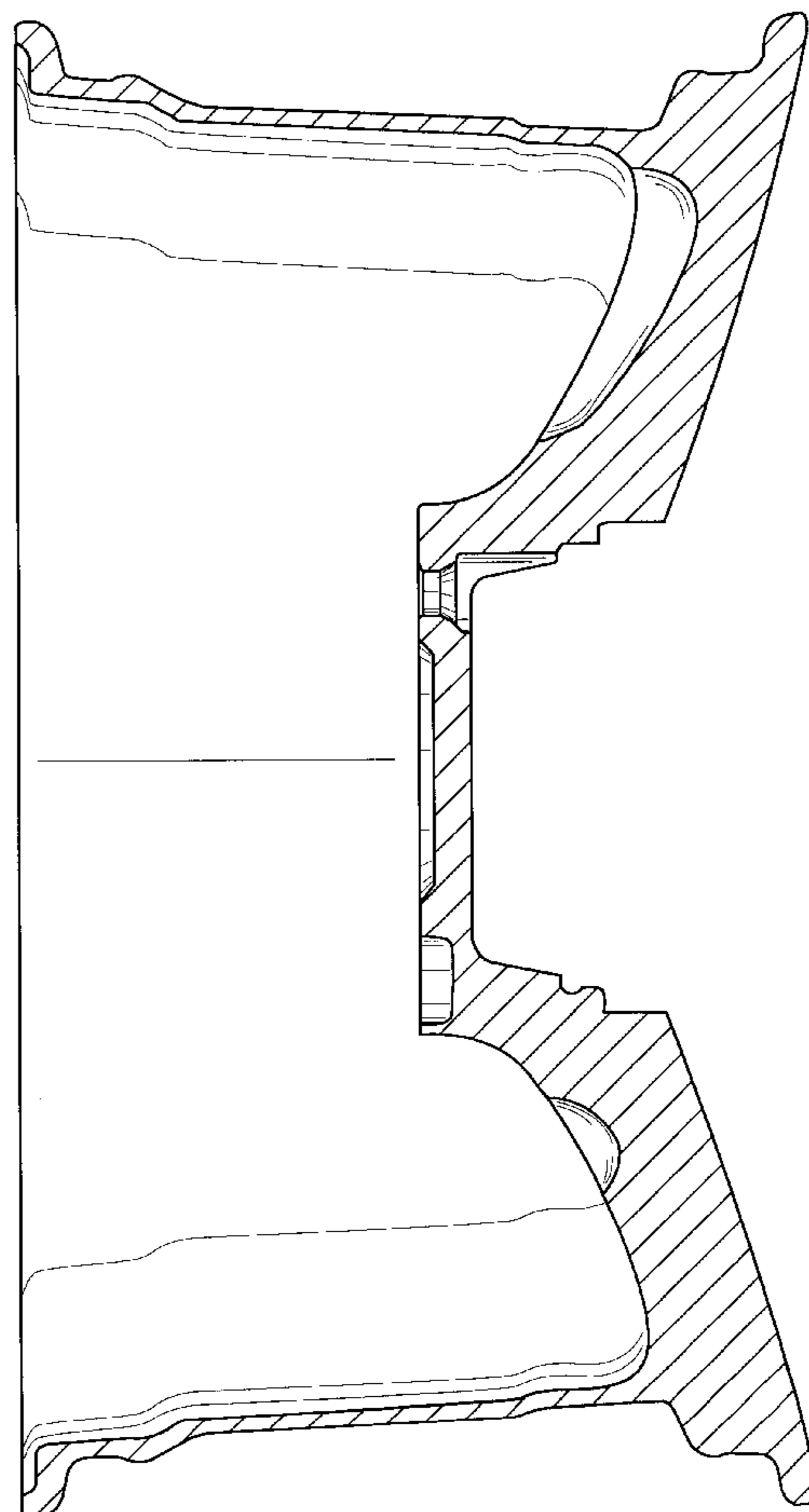
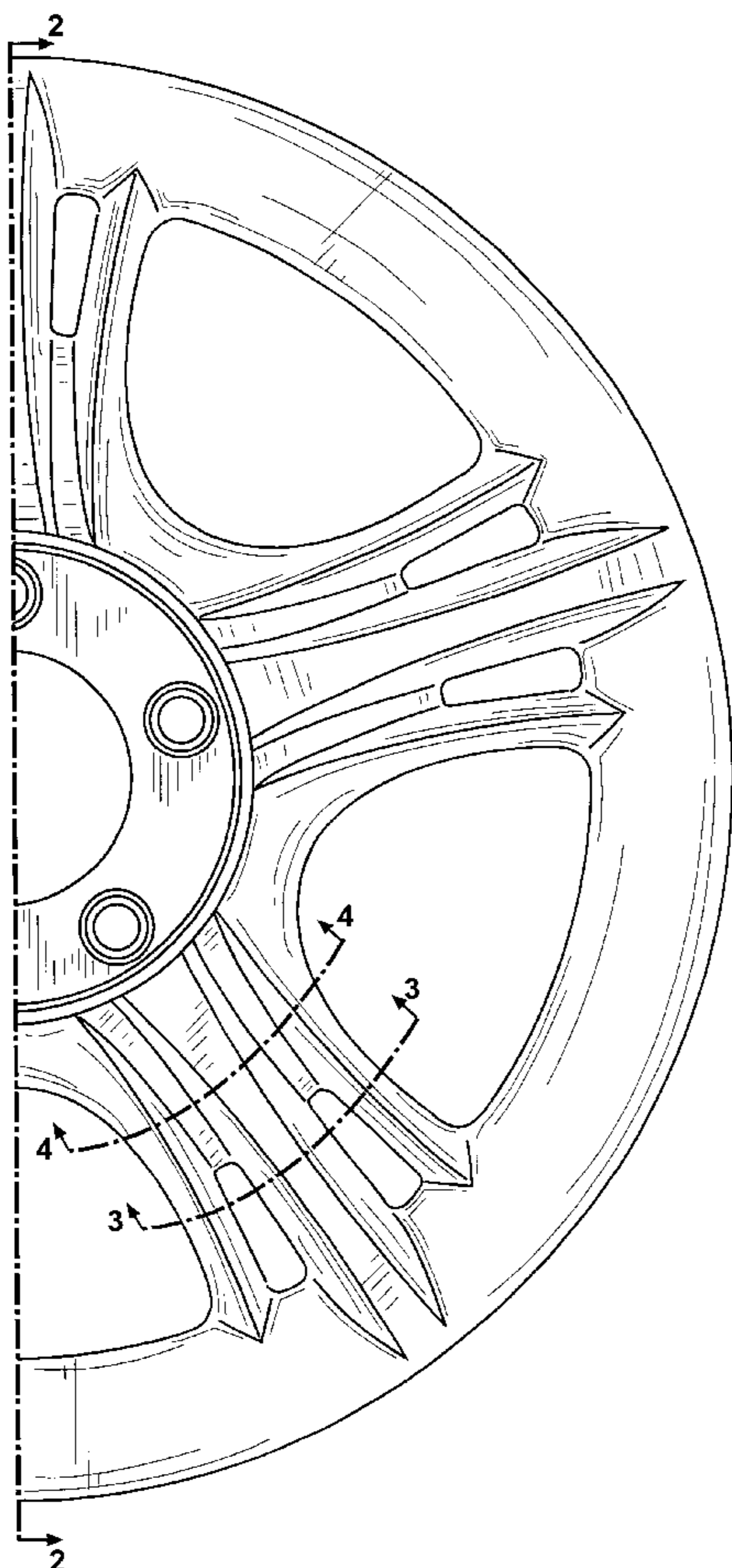
FIG. 4 is an enlarged cross-sectional view taken along line 4—4 in FIG. 1.

1 Claim, 3 Drawing Sheets

(56) **References Cited**

U.S. PATENT DOCUMENTS

D. 258,503	*	3/1981	Semple	D12/211
D. 375,076	*	10/1996	Cattaneo	D12/211
D. 392,236	*	3/1998	Noriega	D12/209
D. 392,611	*	3/1998	Echazabal et al.	D12/211
D. 407,056	*	3/1999	Hodges et al.	D12/211
D. 409,552	*	5/1999	Chung	D12/211



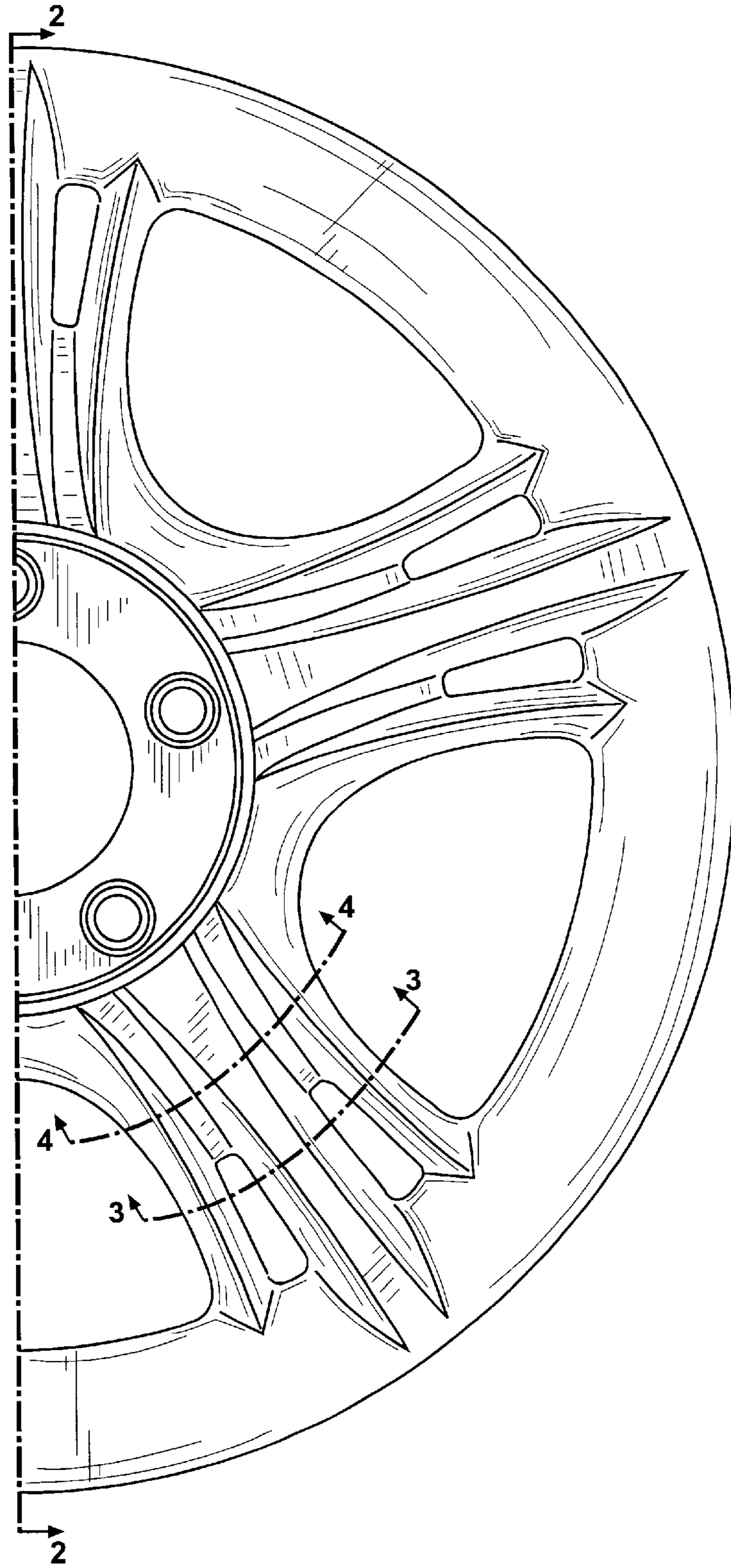


Fig. 1

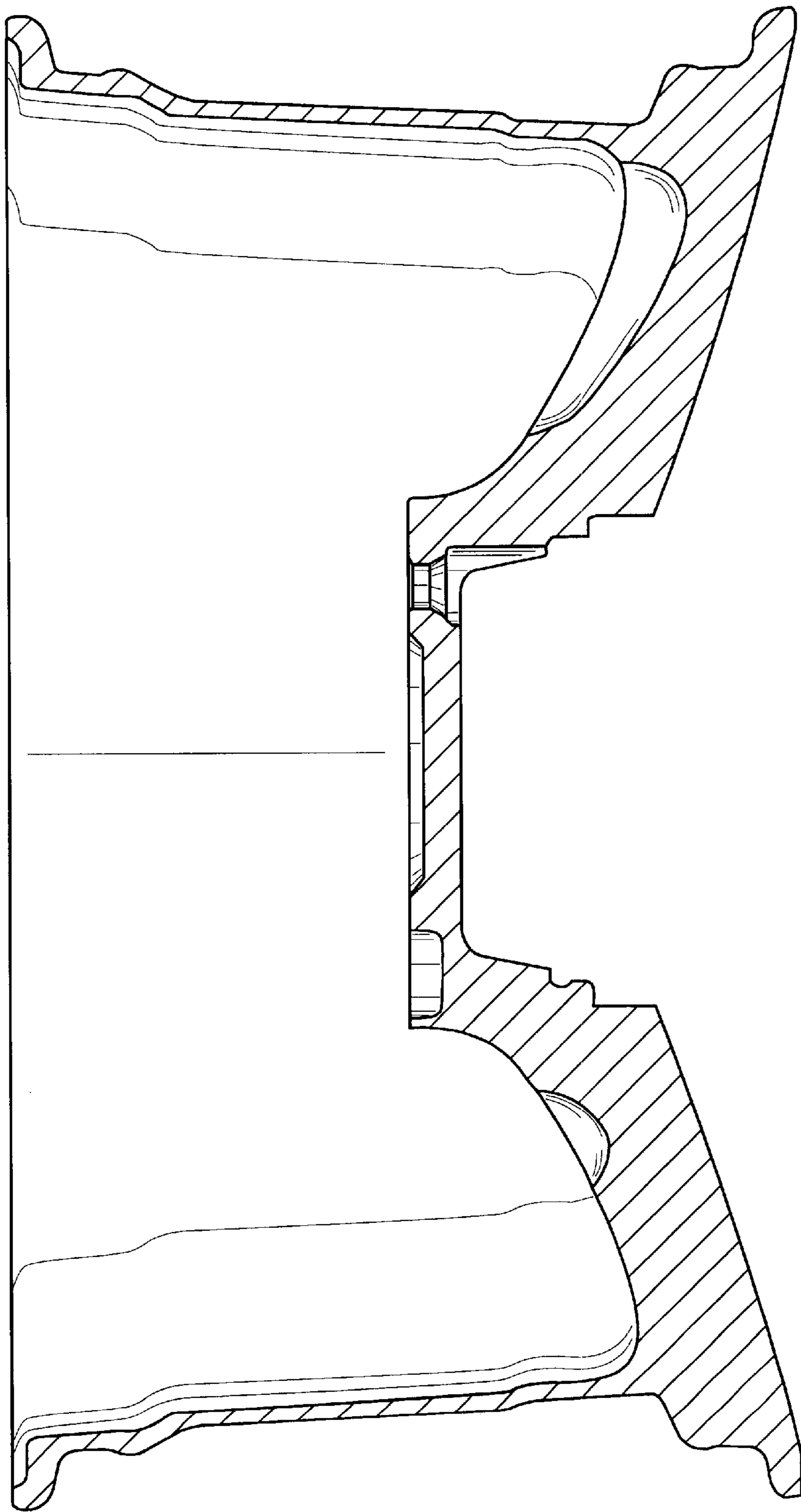


Fig. 2

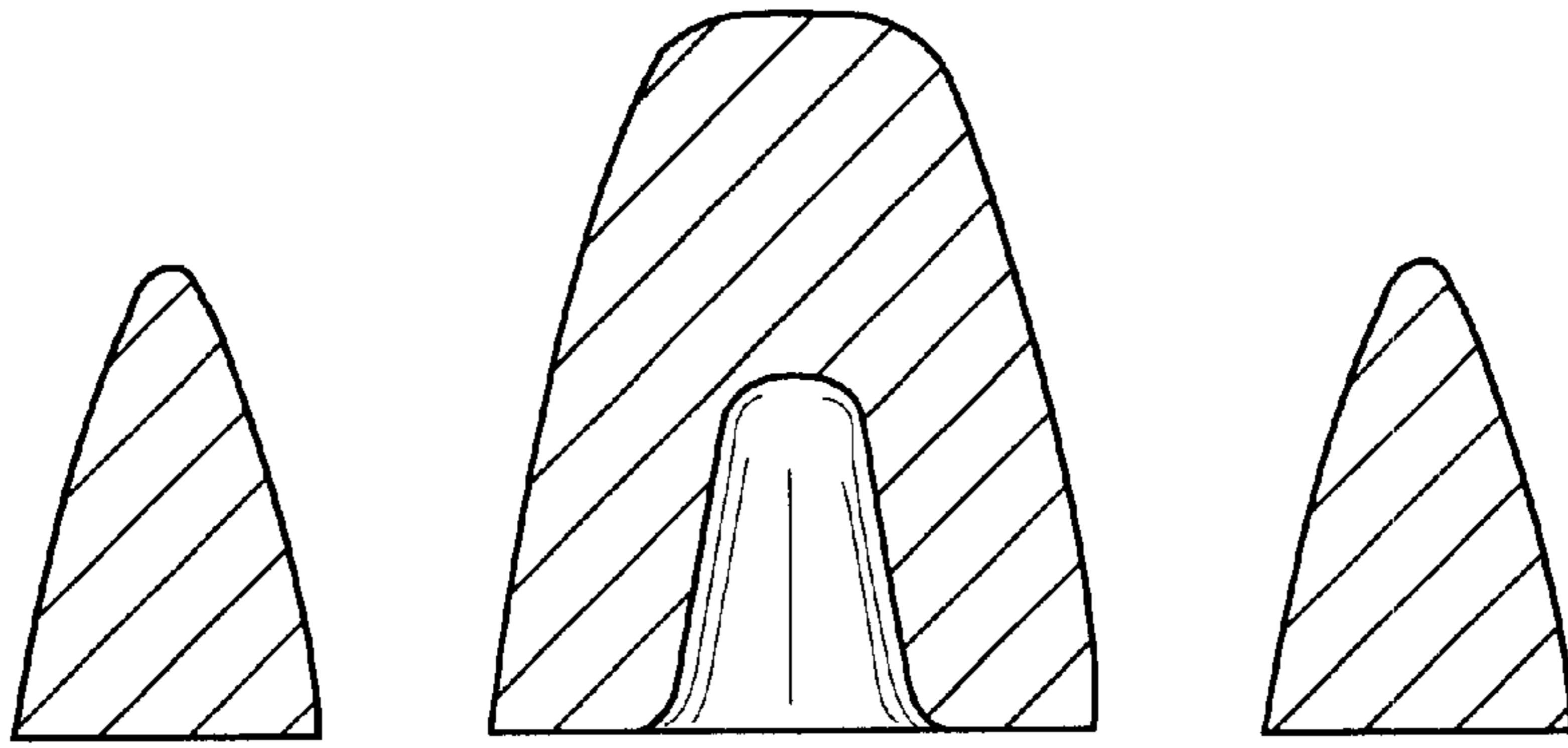


Fig. 3

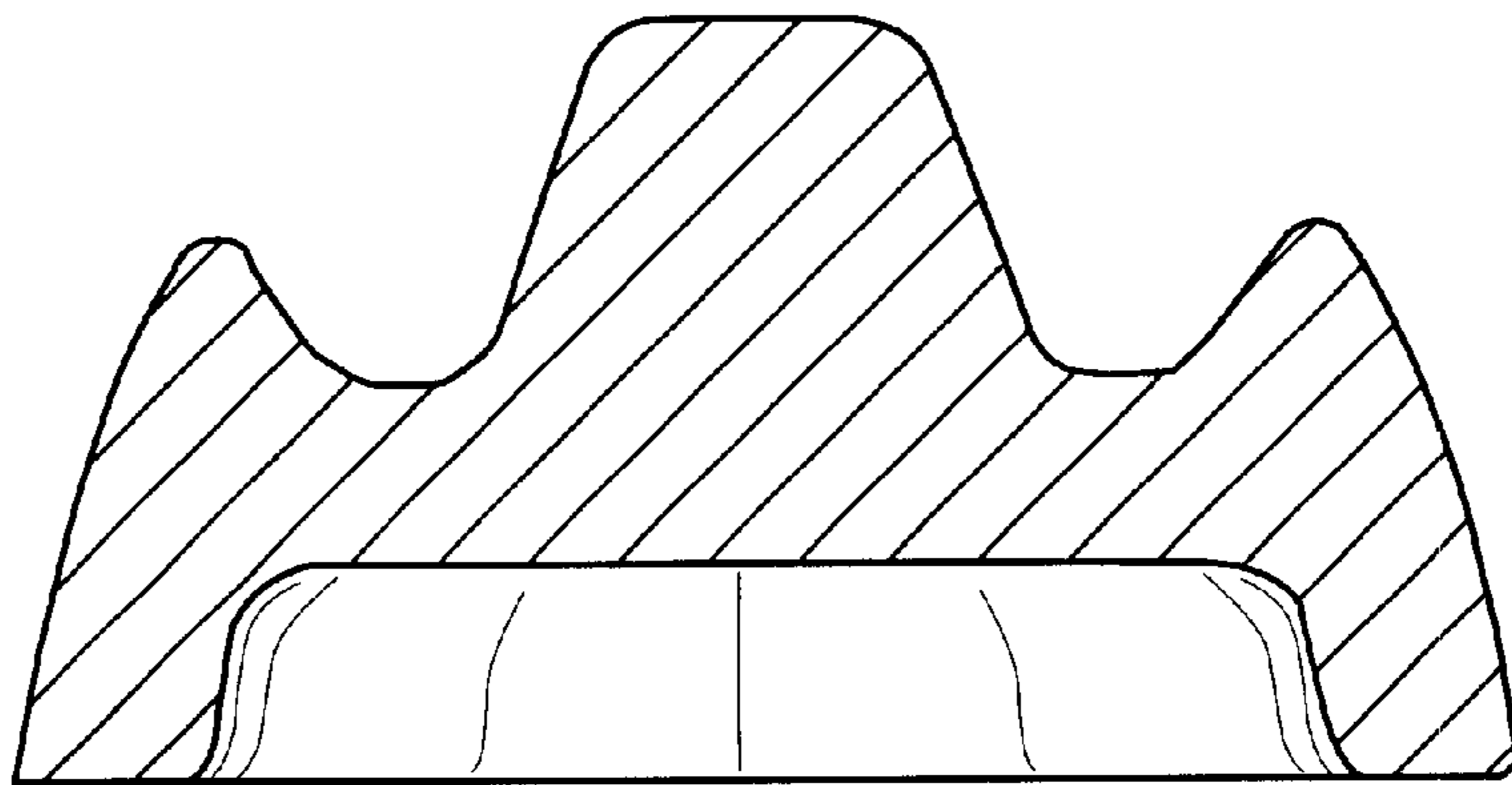


Fig. 4