

US00D450026B1

(12) **United States Design Patent**
Donikoglu

(10) **Patent No.:** **US D450,026 S**

(45) **Date of Patent:** **** Nov. 6, 2001**

(54) **WHEEL**

(75) **Inventor:** **Melkon A. Donikoglu**, Southfield, MI (US)

(73) **Assignee:** **Ultra Wheel Co.**, Buena Park, CA (US)

(**) **Term:** **14 Years**

(21) **Appl. No.:** **29/119,220**

(22) **Filed:** **Feb. 25, 2000**

(51) **LOC (7) Cl.** **12-16**

(52) **U.S. Cl.** **D12/209**

(58) **Field of Search** D12/204-211;
301/37.1, 64.1, 65

D. 433,371	*	11/2000	Donikoglu	D12/209
D. 433,658	*	11/2000	Donikoglu	D12/209
D. 436,569	*	1/2001	Brown et al.	D12/209
D. 438,157	*	2/2001	Donikoglu	D12/209
D. 438,834	*	3/2001	Ong	D12/211
D. 440,198	*	4/2001	Ivanova et al.	D12/209
D. 442,135	*	5/2001	Chrysanto et al.	D12/209

* cited by examiner

Primary Examiner—Stacia Cadmus

(74) *Attorney, Agent, or Firm*—Christie, Parker & Hale, LLP

(57) **CLAIM**

The ornamental design for a wheel, as shown and described.

DESCRIPTION

FIG. 1 is a perspective view of a wheel showing my new design;

FIG. 2 is a front elevational view thereof; and,

FIG. 3 is a cross-sectional view thereof taken along the line 3—3 in FIG. 2.

The broken line disclosure in FIGS. 1-3 is for illustrative purposes only and forms no part of the claimed design.

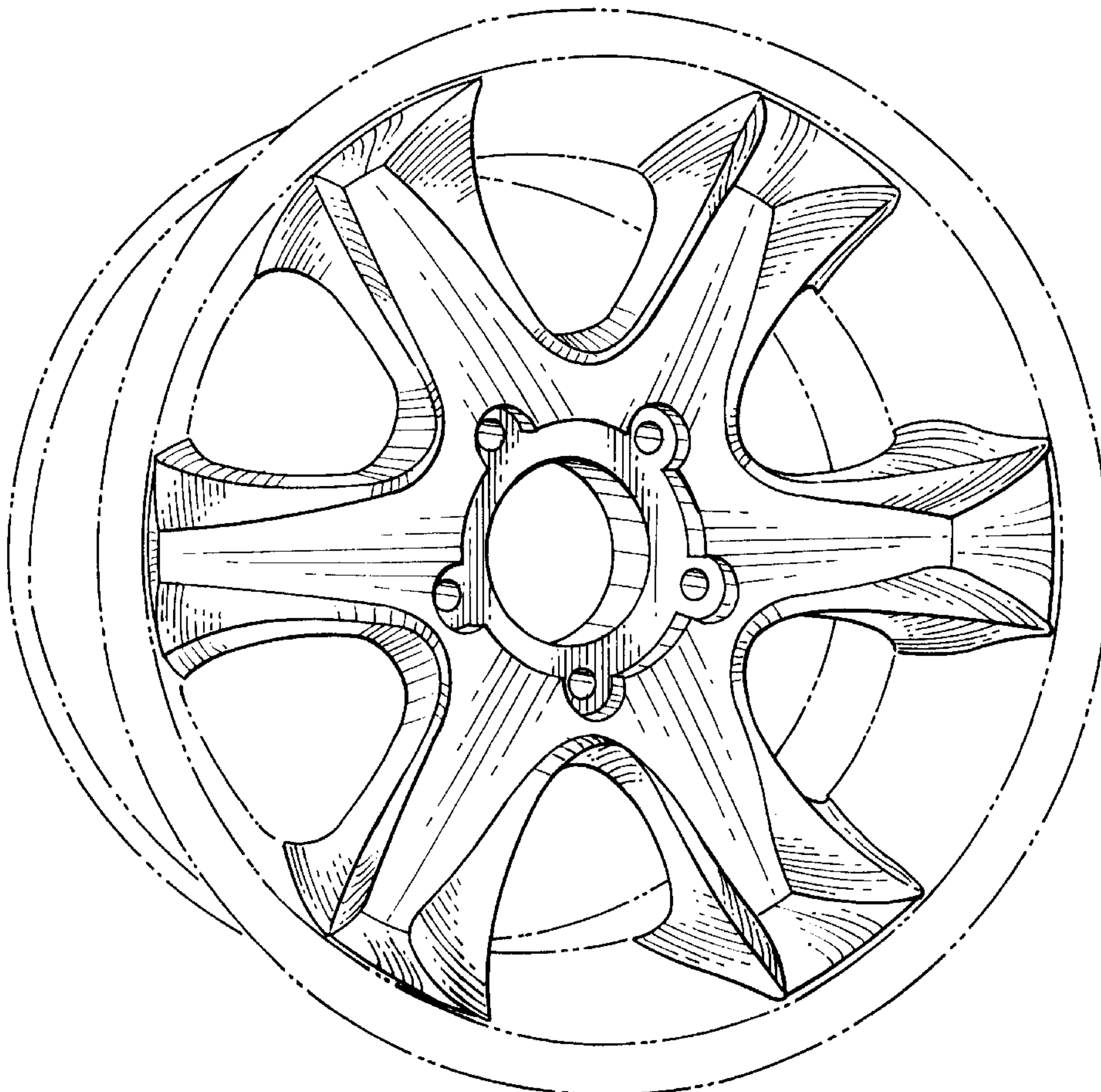
The rear of the wheel forms no part of the claimed design.

(56) **References Cited**

U.S. PATENT DOCUMENTS

D. 208,542	*	9/1967	Halibrand	D12/211
D. 208,543	*	9/1967	Halibrand	D12/211
D. 329,416	*	9/1992	Braungart et al.	D12/209
D. 360,866	*	8/1995	Echazabal et al.	D12/209
D. 388,046	*	12/1997	Roesianto	D12/209
D. 391,216	*	2/1998	Bollmann et al.	D12/209
D. 392,930	*	3/1998	Embrador	D12/209
D. 422,257	*	4/2000	Pruden	D12/209

1 Claim, 3 Drawing Sheets



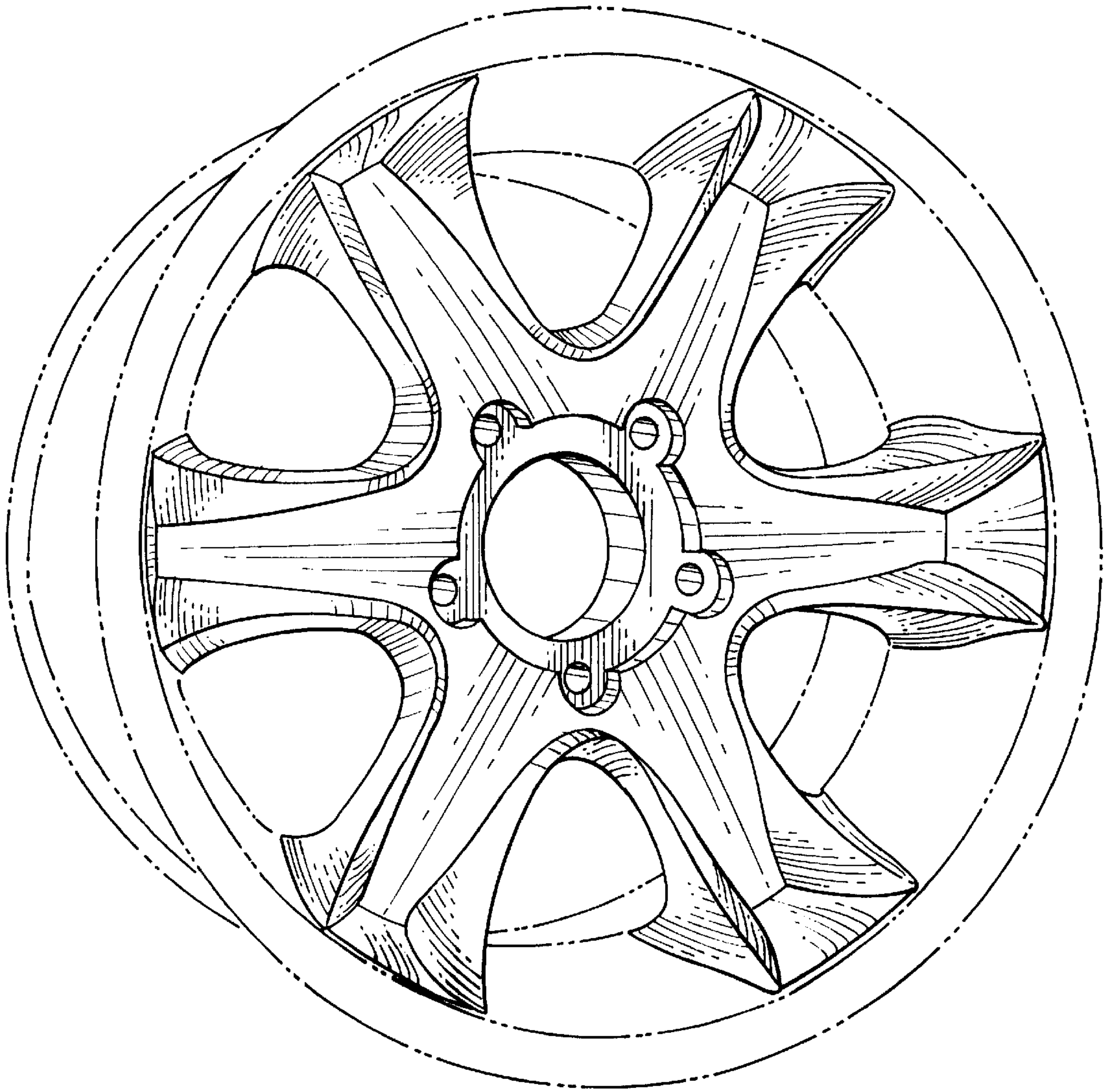


FIG. 1

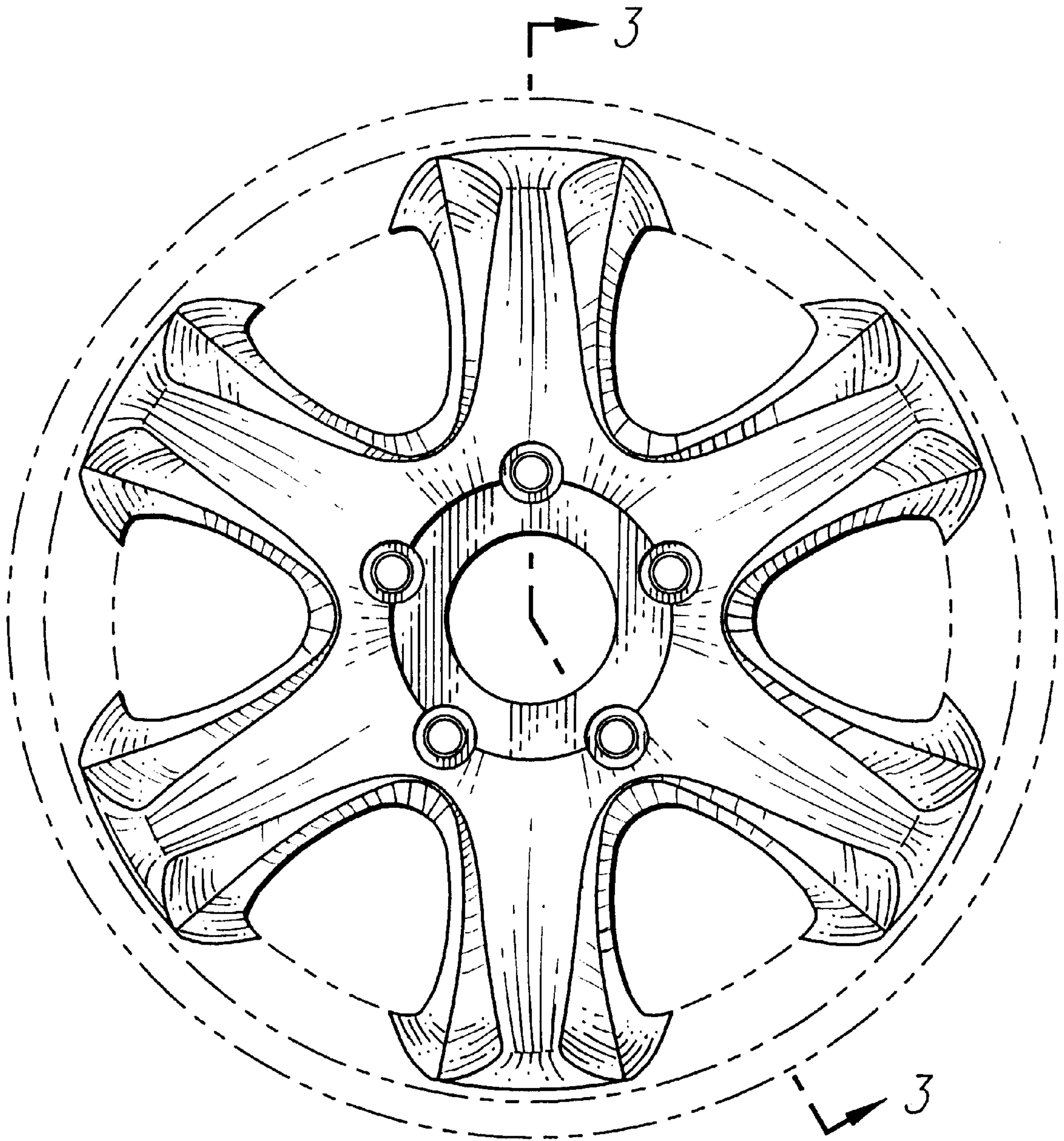


FIG. 2

FIG. 3

