



US00D450015B1

(12) **United States Design Patent**
Lai

(10) **Patent No.:** **US D450,015 S**

(45) **Date of Patent:** **** Nov. 6, 2001**

(54) **MINI EXERCISE CYCLE FOR LOSING WEIGHT**

(76) **Inventor:** **Eric Lai**, No. 37, Tai Jui 1st Street, Chia Yi City (TW)

(**) **Term:** **14 Years**

(21) **Appl. No.:** **29/137,395**

(22) **Filed:** **Feb. 21, 2001**

(51) **LOC (7) Cl.** **12-11**

(52) **U.S. Cl.** **D12/111; D21/663**

(58) **Field of Search** **D12/111; D21/663-667; 482/57-65; 434/61**

(56) **References Cited**

U.S. PATENT DOCUMENTS

D. 210,958 * 5/1968 Westborg D21/667
5,961,424 * 10/1999 Warner et al. 482/63

* cited by examiner

Primary Examiner—Alan P. Douglas

Assistant Examiner—Linda Brooks

(74) *Attorney, Agent, or Firm*—Rosenberg, Klein & Lee

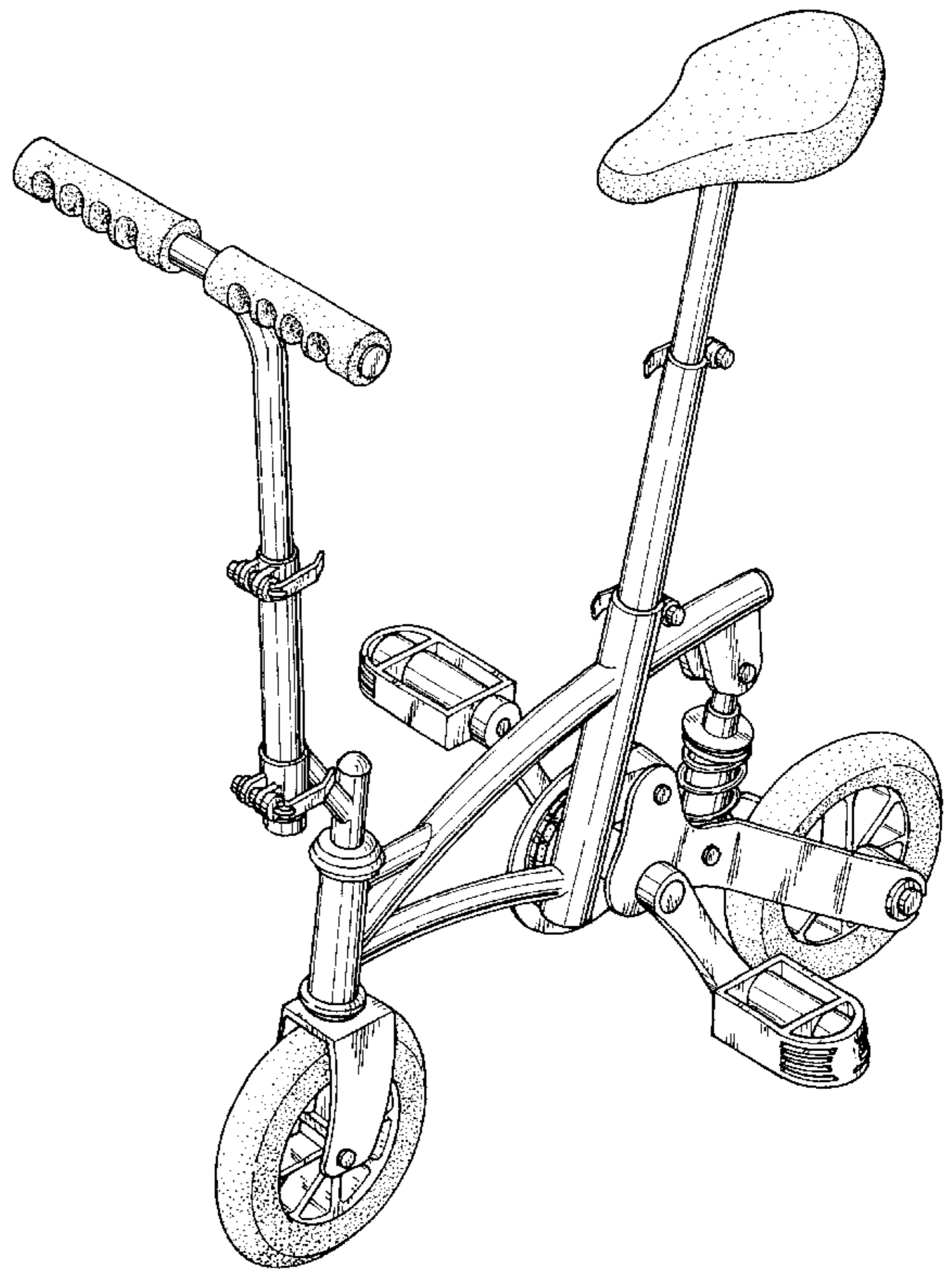
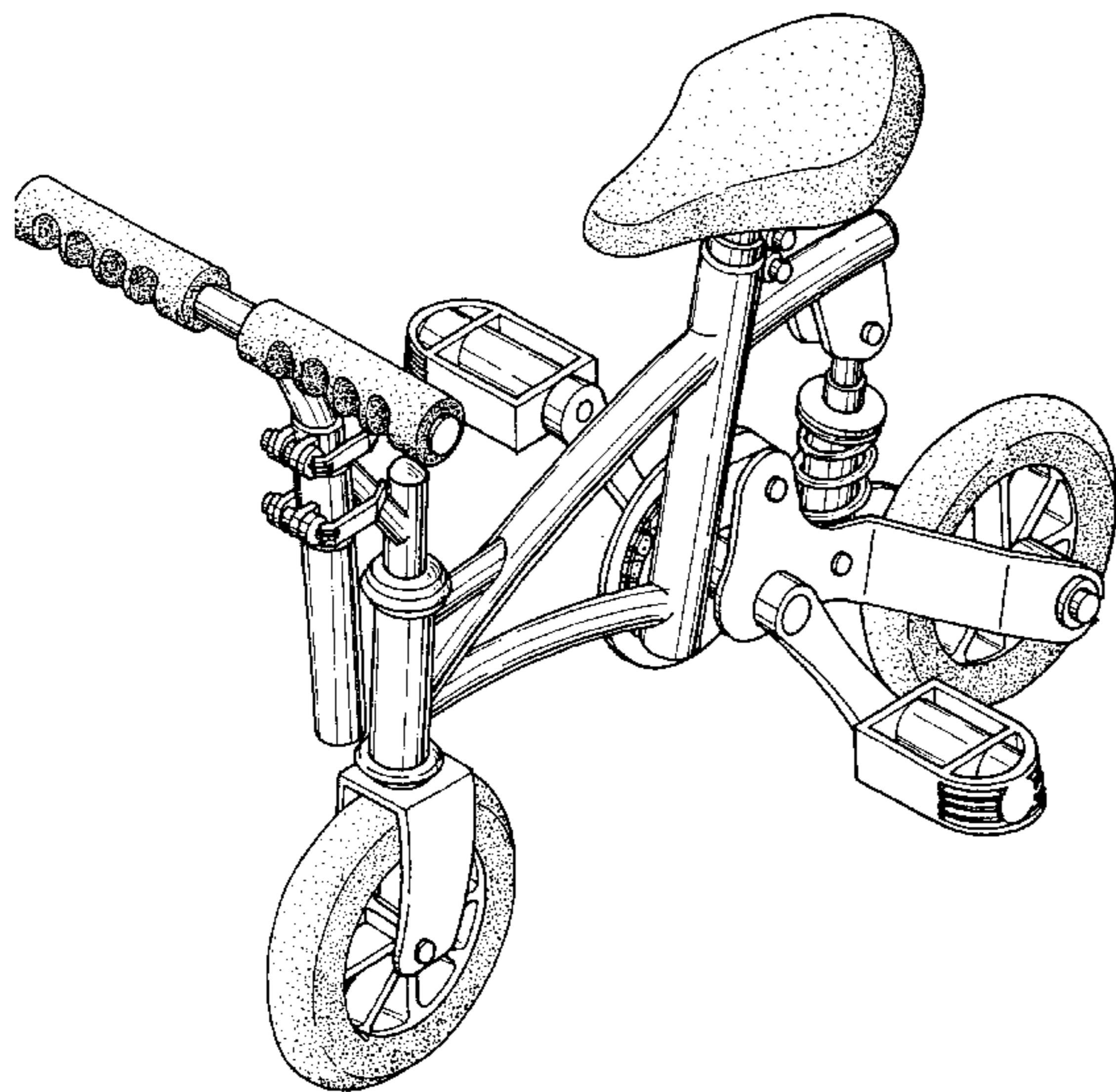
(57) **CLAIM**

The ornamental design for a mini exercise cycle for losing weight, as shown and described.

DESCRIPTION

FIG. 1 is a perspective view of a mini exercise cycle for losing weight showing my new design;
FIG. 2 is a left side elevational view thereof;
FIG. 3 is a right side elevational view thereof;
FIG. 4 is a front elevational view thereof;
FIG. 5 is a rear elevational view thereof;
FIG. 6 is a top plan view thereof;
FIG. 7 is a bottom plan view thereof; and,
FIG. 8 is a perspective view similar to FIG. 1, with the handlebar and seat in a raised position.

1 Claim, 4 Drawing Sheets



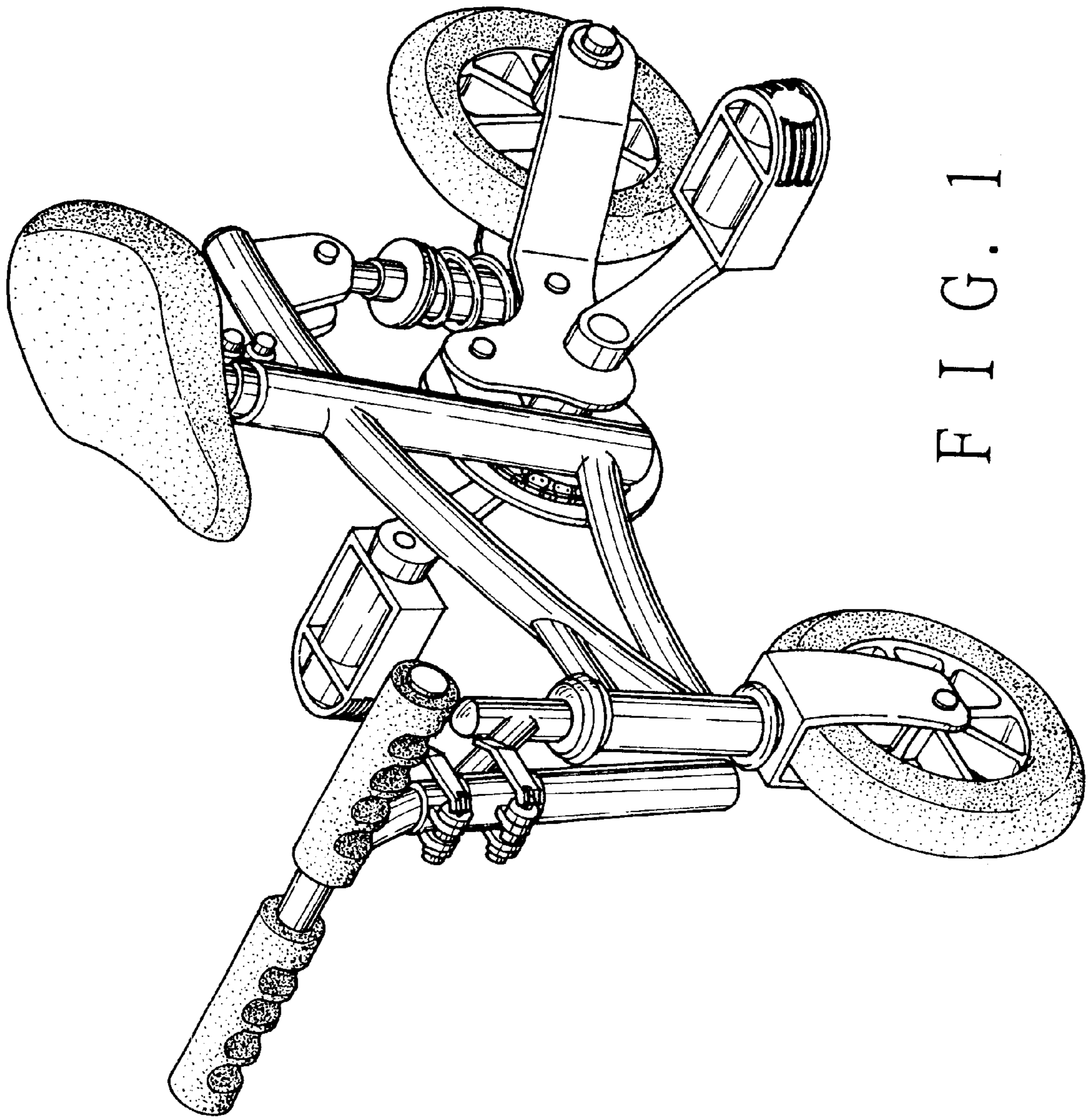
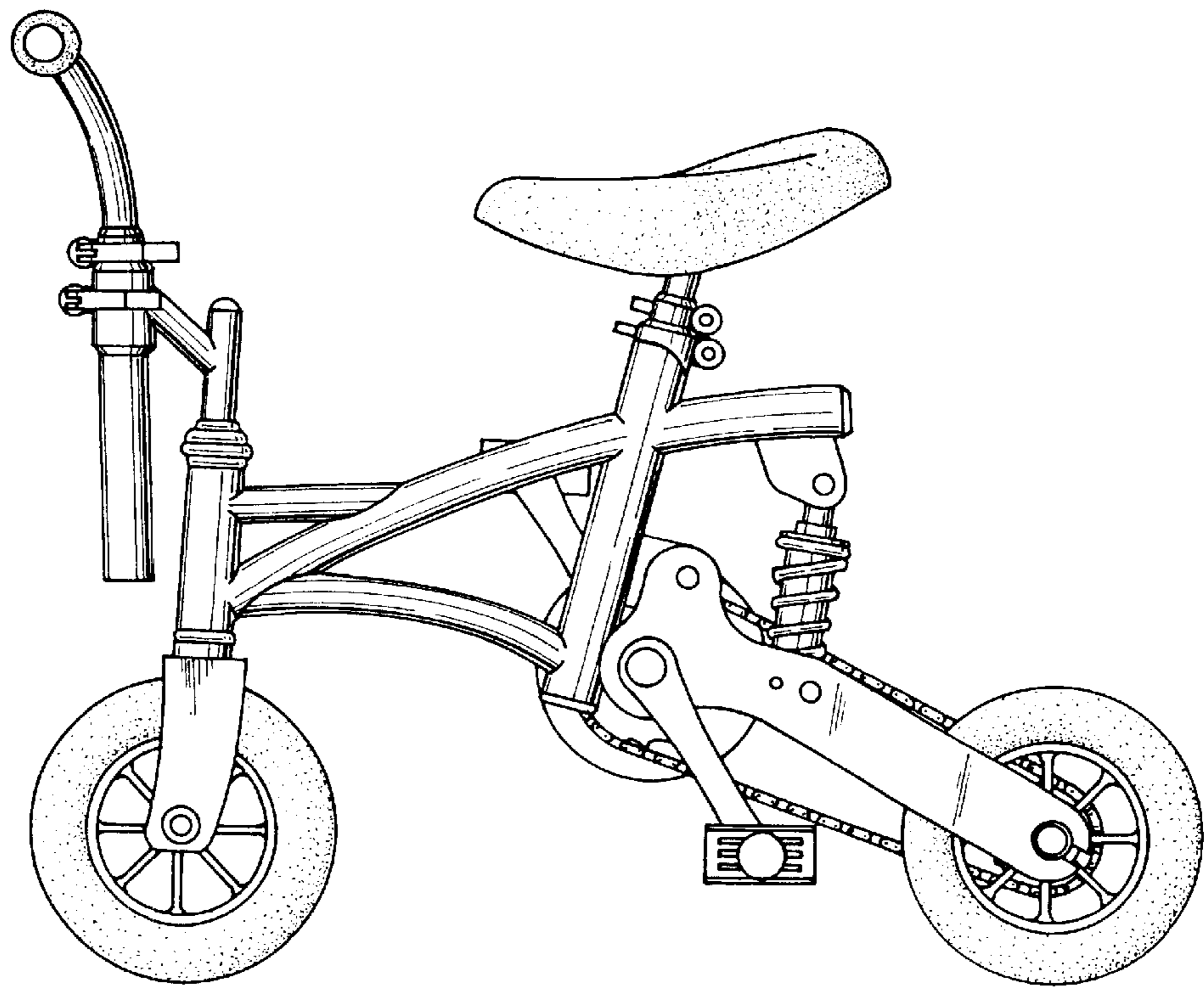
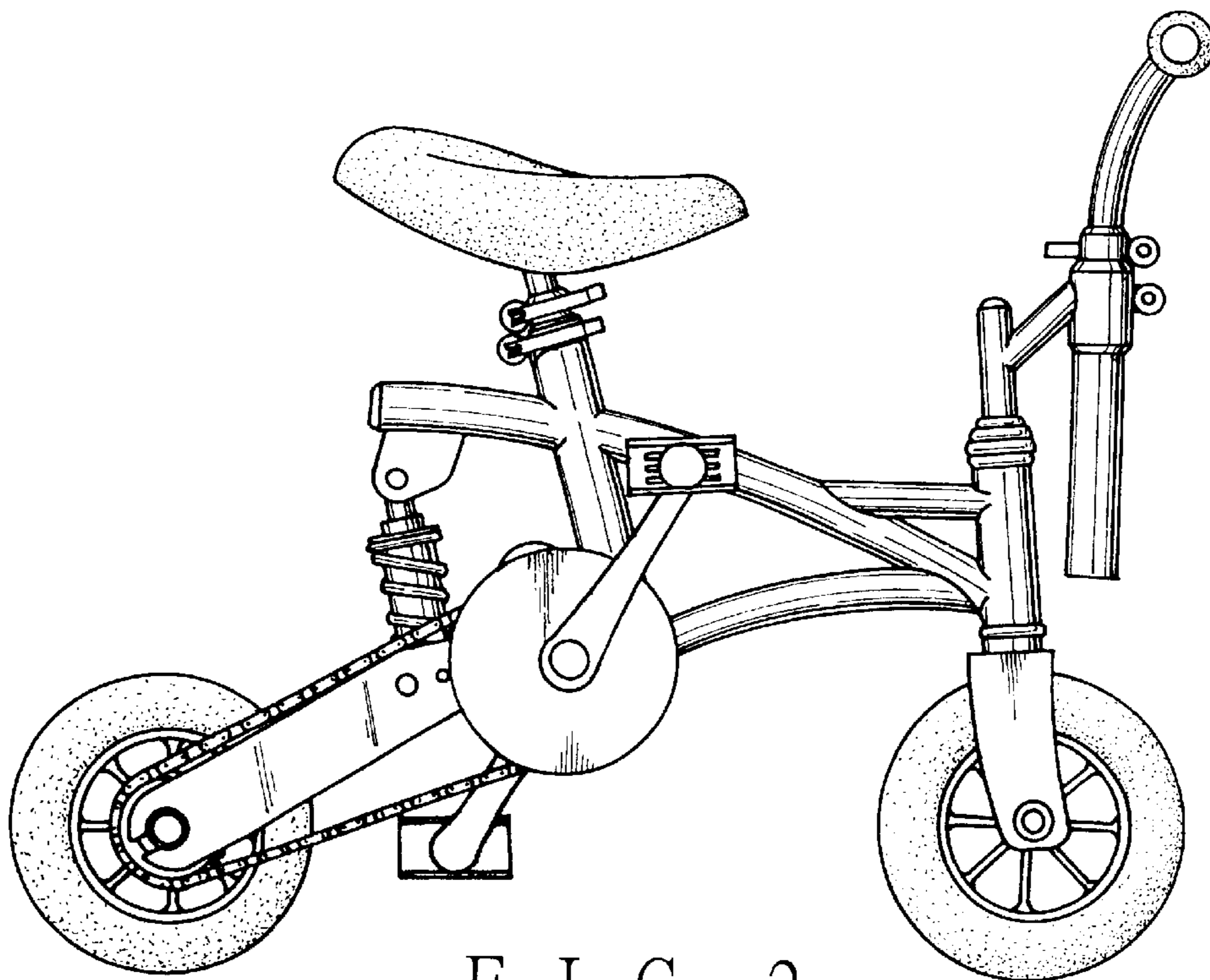


FIG. 1



F I G . 3



F I G . 2

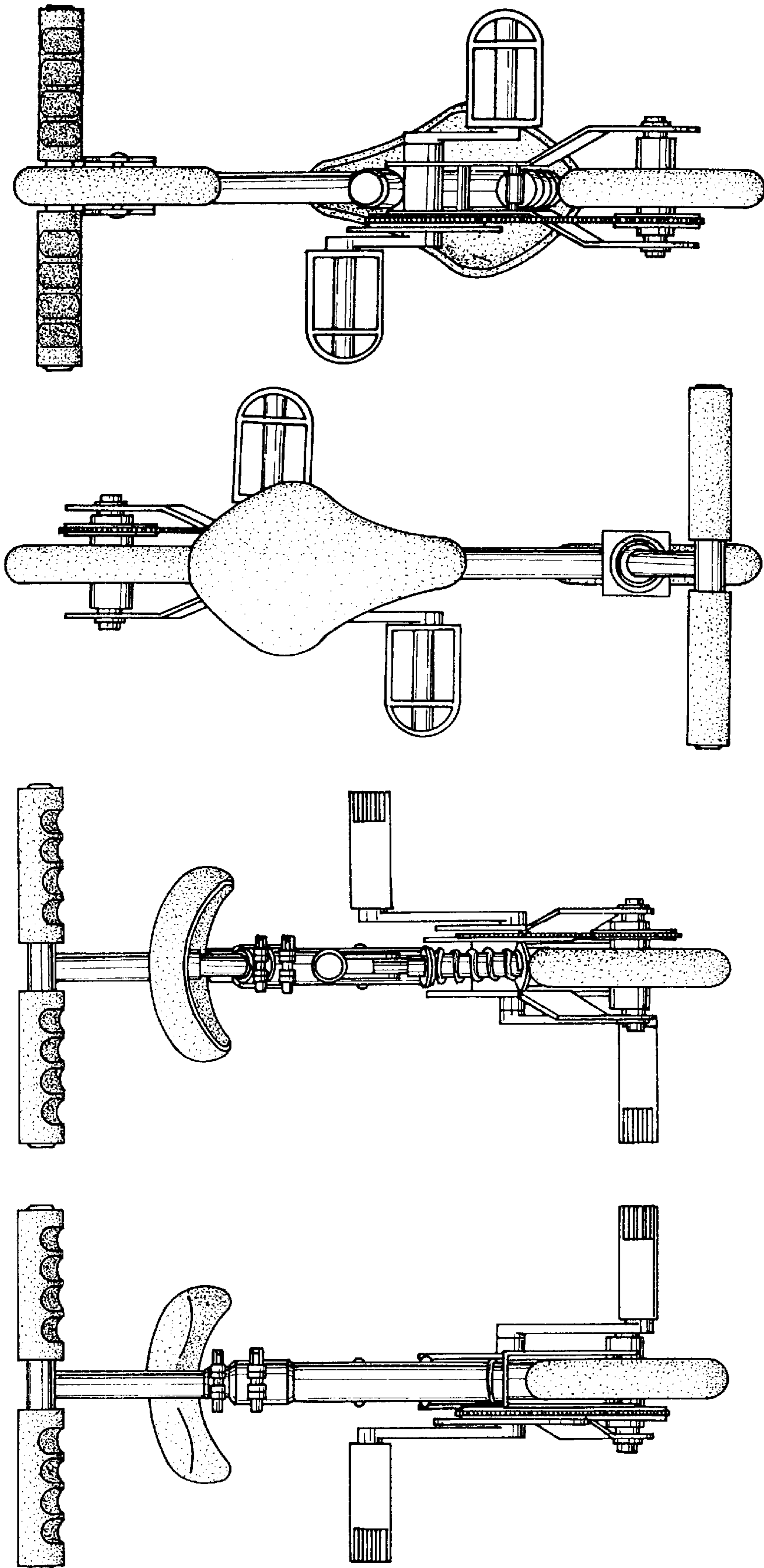


FIG. 4 FIG. 5 FIG. 6 FIG. 7

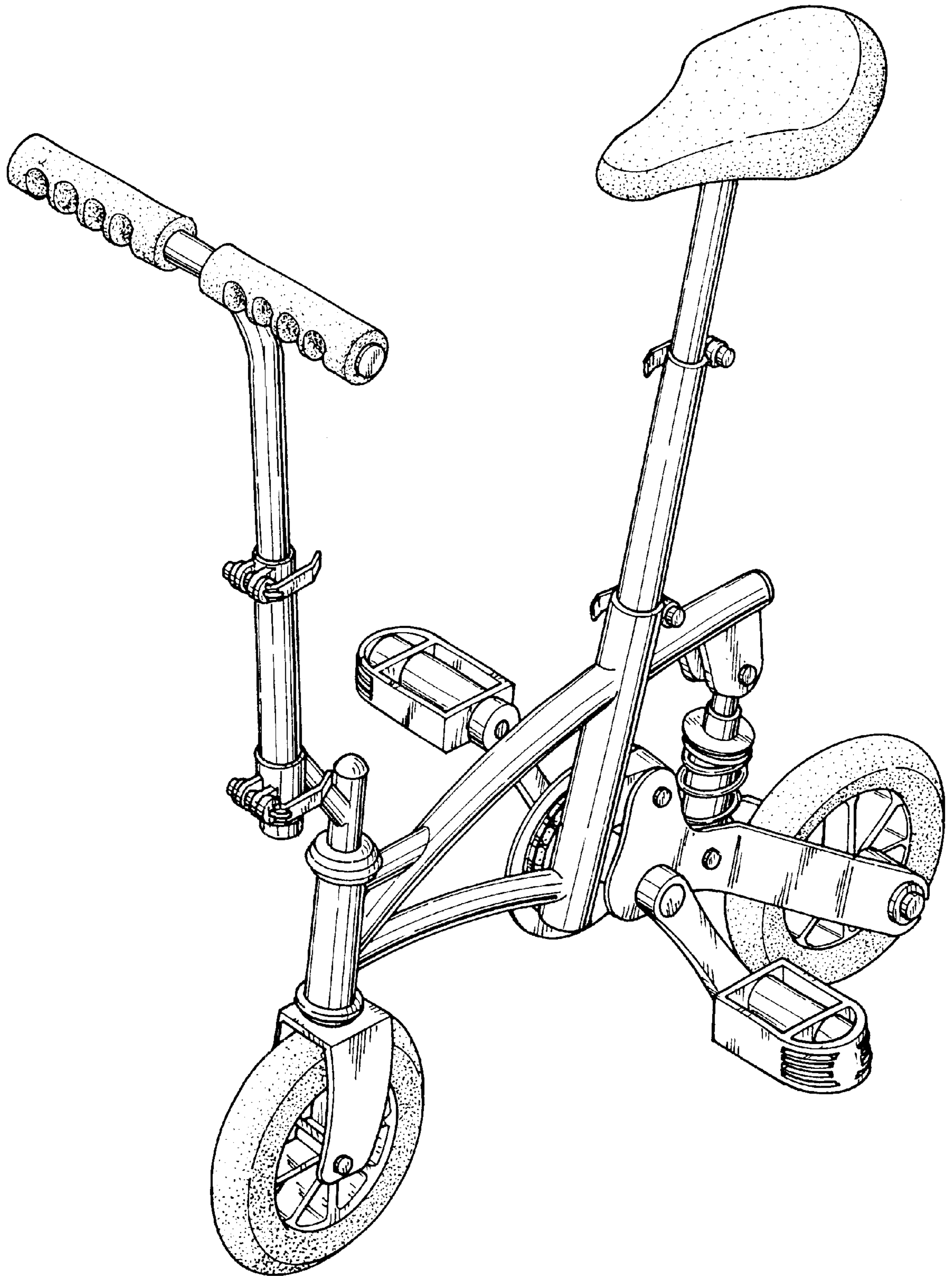


FIG. 8