



US00D450011B1

(12) **United States Design Patent**
Fan

(10) **Patent No.:** **US D450,011 S**

(45) **Date of Patent:** **** Nov. 6, 2001**

(54) **FLOWER BOX**

(76) Inventor: **Jianhua Fan**, 5800 Maudina Ave., #C2,
Nashville, TN (US) 37209

(**) Term: **14 Years**

(21) Appl. No.: **29/123,818**

(22) Filed: **May 25, 2000**

(51) **LOC (7) Cl.** **11-02**

(52) **U.S. Cl.** **D11/156**

(58) **Field of Search** D11/143-156;
D7/554.1, 552.2, 555, 550.1, 554.3; D9/341,
456; 47/41.01, 65.5, 65.6, 65.7, 66.1, 66.2,
66.6, 68, 69, 70, 71, 73, 85, 86; 206/423,
557, 562, 564; 248/27.8; 220/23.83, 23.86

(56) **References Cited**

U.S. PATENT DOCUMENTS

D. 256,344	*	8/1980	Schneck	D11/156
D. 271,035	*	10/1983	Pomeranke	D11/152
D. 303,231	*	9/1989	Mottmiller et al.	D11/143
D. 313,203	*	12/1990	Carlson	D11/153
D. 322,707	*	12/1991	Iverson	D11/156
D. 352,480	*	11/1994	Carlson	D11/153
D. 384,907		10/1997	Moskowitz	.	
D. 397,958	*	9/1998	Ruthenberg	D11/156
D. 409,947	*	5/1999	Bongard et al.	D11/155
D. 422,936	*	4/2000	Tsou	D11/152
880,694	*	3/1908	Quackenboss	47/68
894,211	*	7/1908	Kaump	47/86
2,072,185		3/1937	Schein	.	
3,027,684		4/1962	Keiding	.	
3,866,351		2/1975	Cobia	.	

4,231,187		11/1980	Greenbaum	.	
4,299,055		11/1981	Dziewulski	.	
4,926,586	*	5/1990	Nagamatsu	47/65.9
4,975,251		12/1990	Saceman	.	
5,410,840	*	5/1995	Loesken	47/65.9
5,467,555	*	11/1995	Ripley, Sr. et al.	47/65.9
5,797,217		8/1998	Magee	.	
5,806,241		9/1998	Byland	.	

FOREIGN PATENT DOCUMENTS

N4743	of 1894	(GB)	.
1192431	5/1970	(GB)	.

* cited by examiner

Primary Examiner—Doris V. Coles
Assistant Examiner—Mimosa De

(57) **CLAIM**

The ornamental design for flower box, as shown and described.

DESCRIPTION

FIG. 1 is a top perspective view of a flower box showing my new design;
FIG. 2 is a bottom perspective view thereof;
FIG. 3 is a top plan view thereof;
FIG. 4 is a bottom plan view thereof;
FIG. 5 is a front elevational view thereof, the rear elevational view is a mirror image; and,
FIG. 6 is a right end elevational view thereof, the rear end elevational view is a mirror image.
The dashed line shown in the drawing is for illustrative purposes only and forms no part of the claimed design.

1 Claim, 5 Drawing Sheets

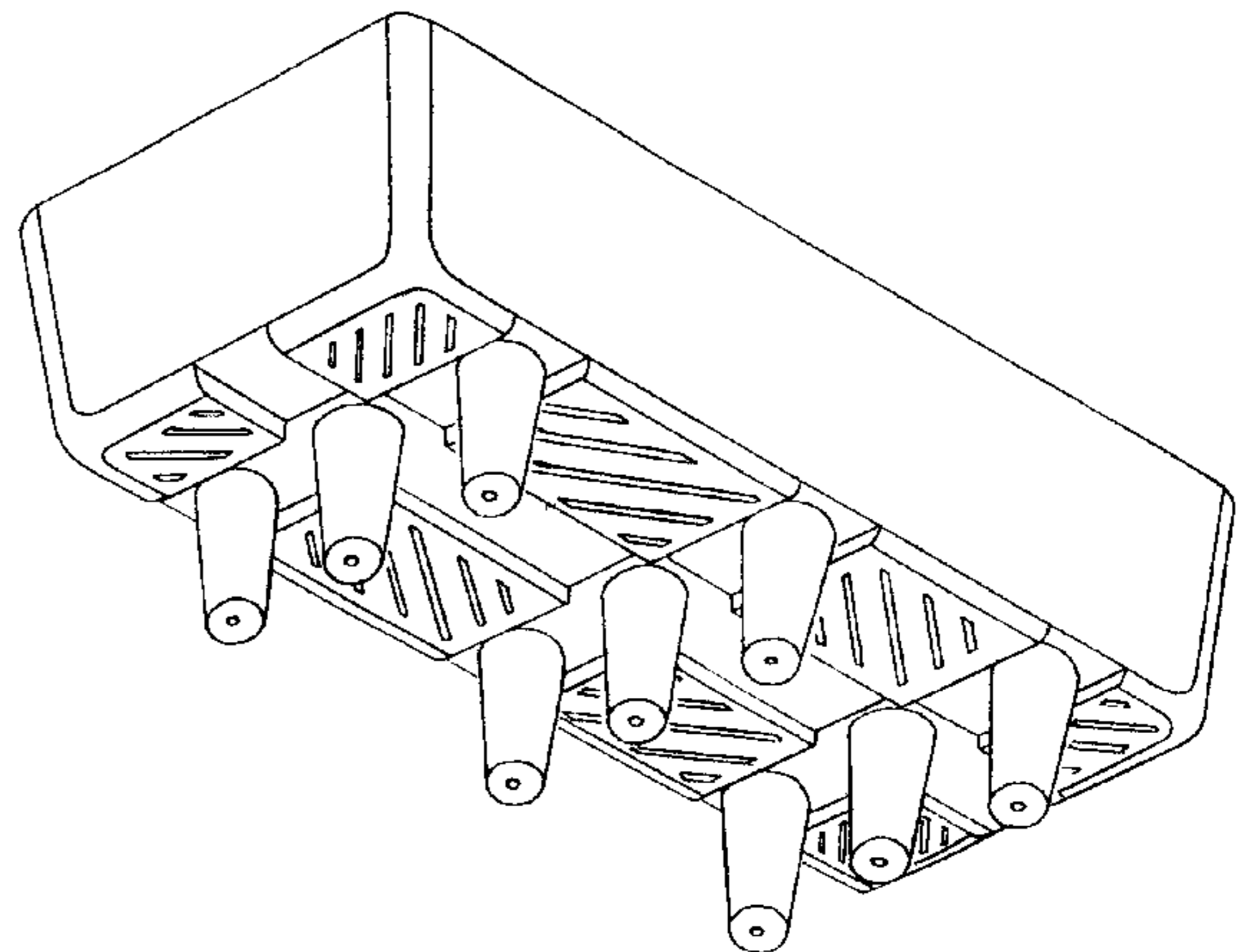
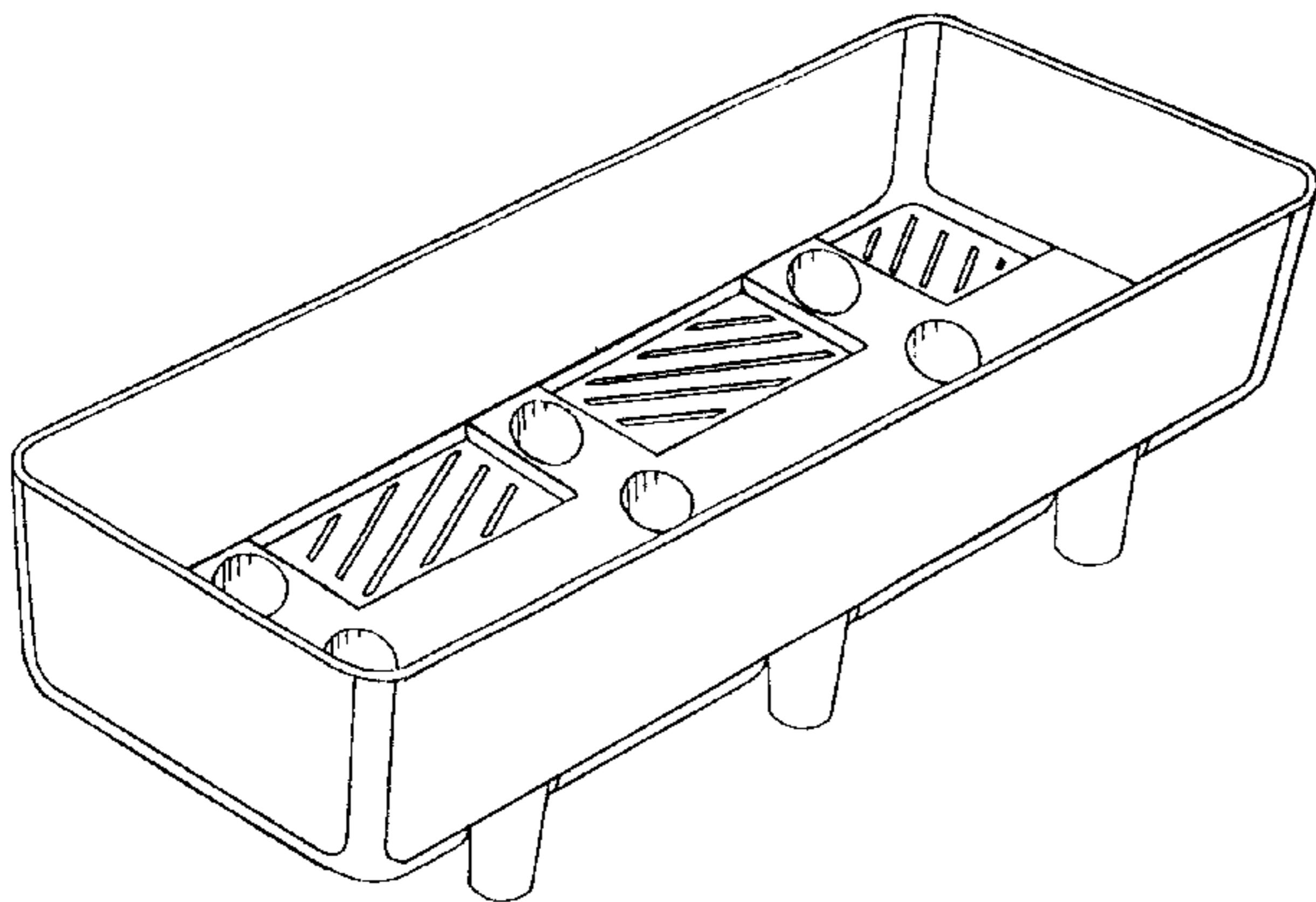


Fig. 1

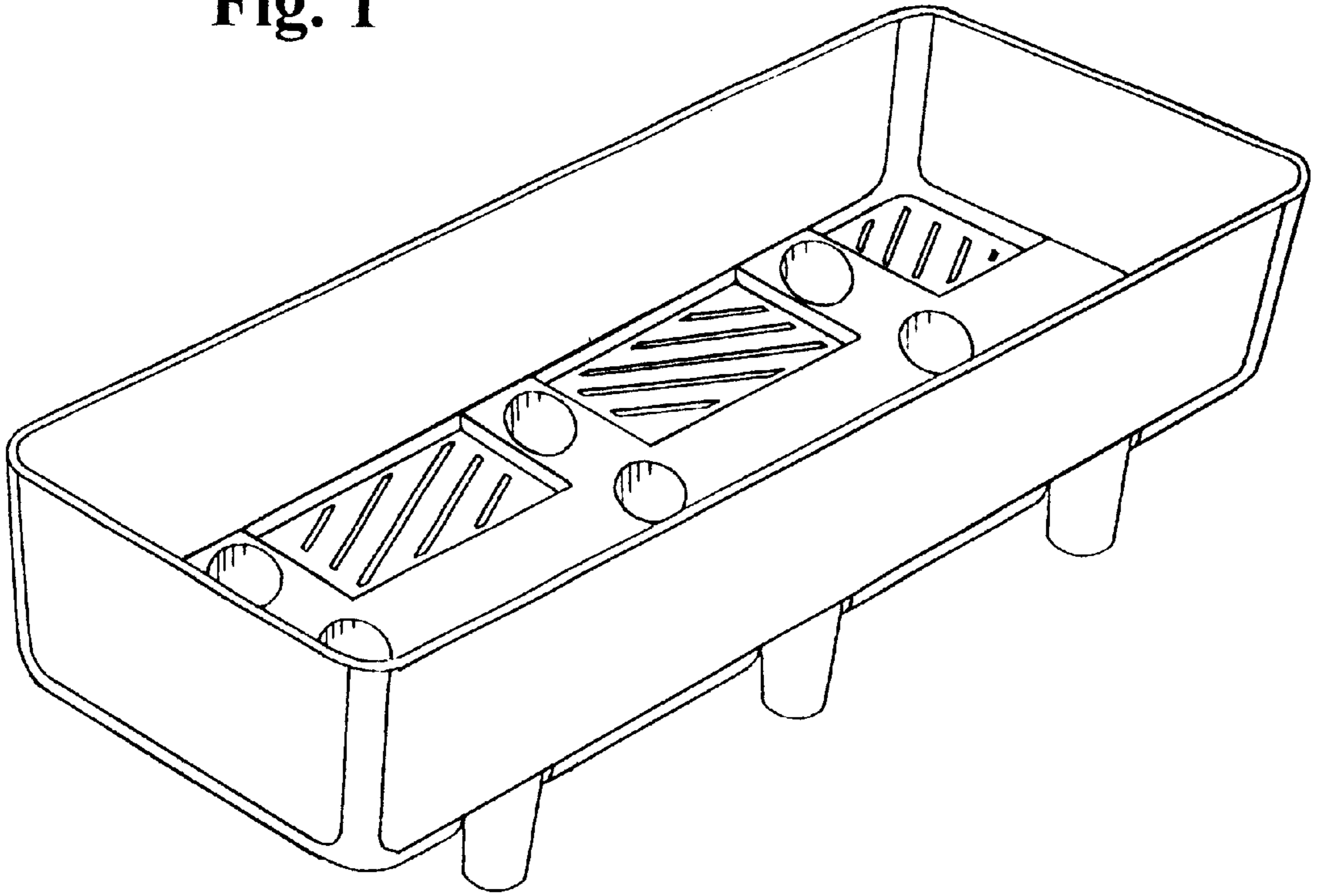


Fig. 2

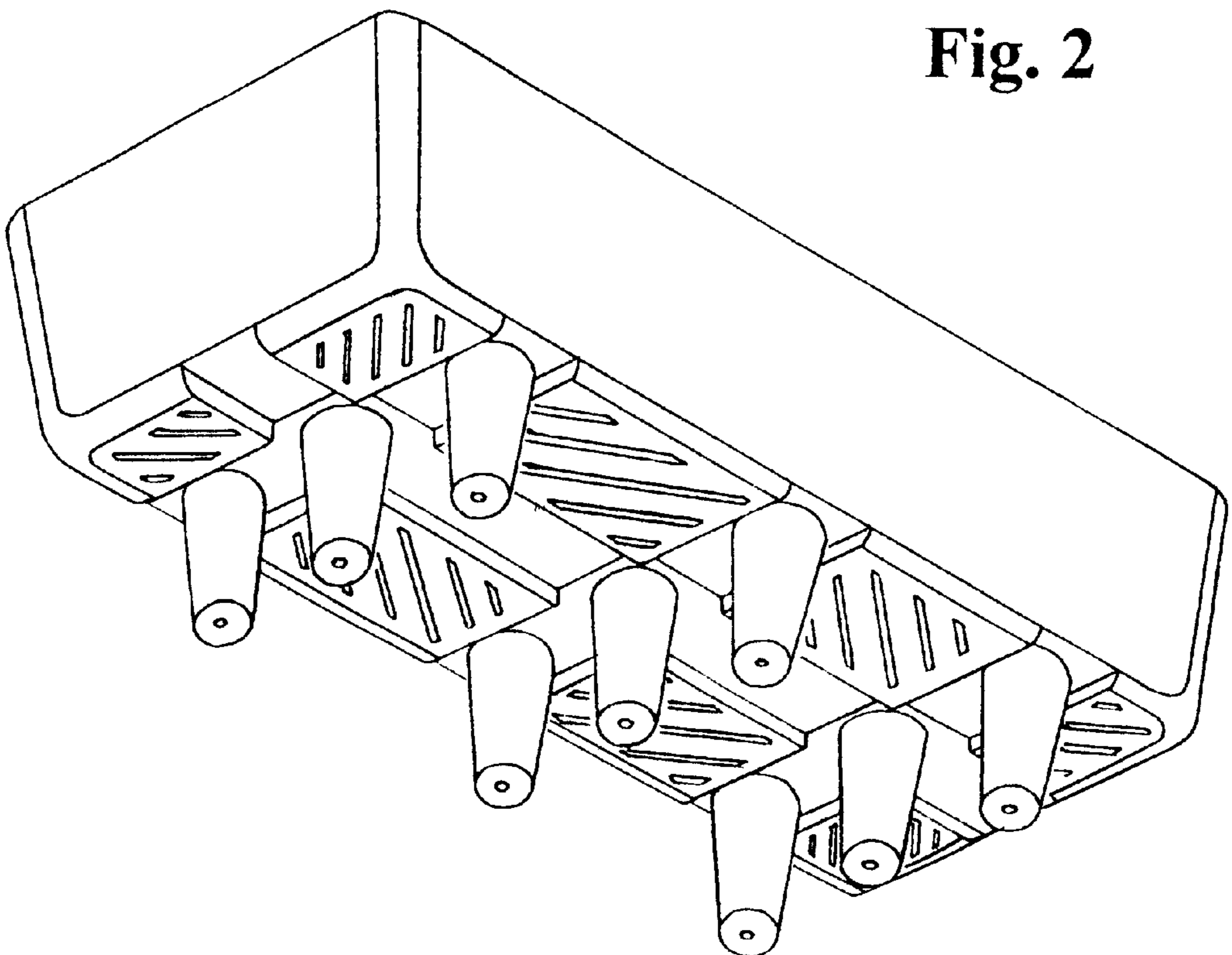


Fig. 3

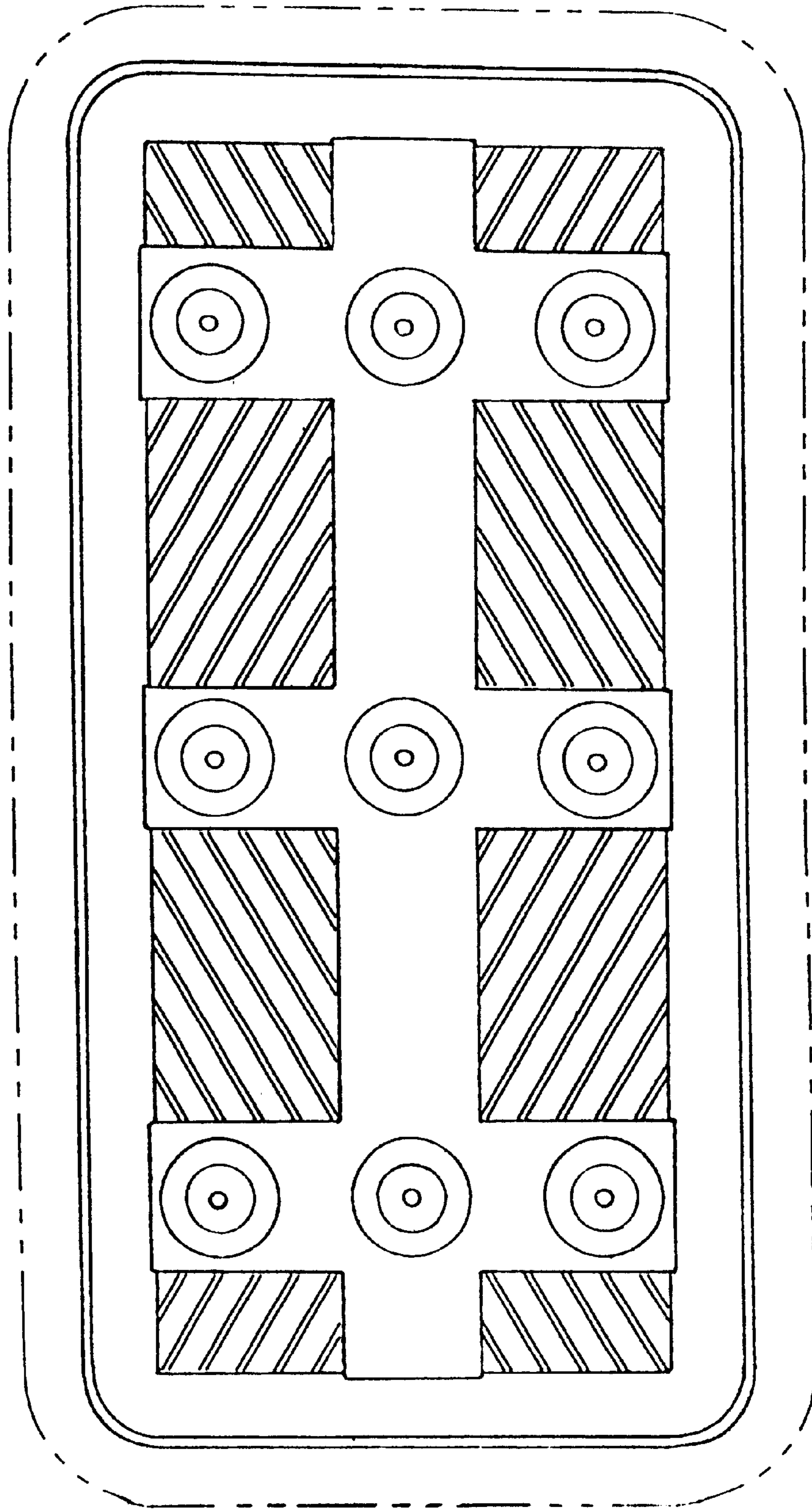


Fig. 4

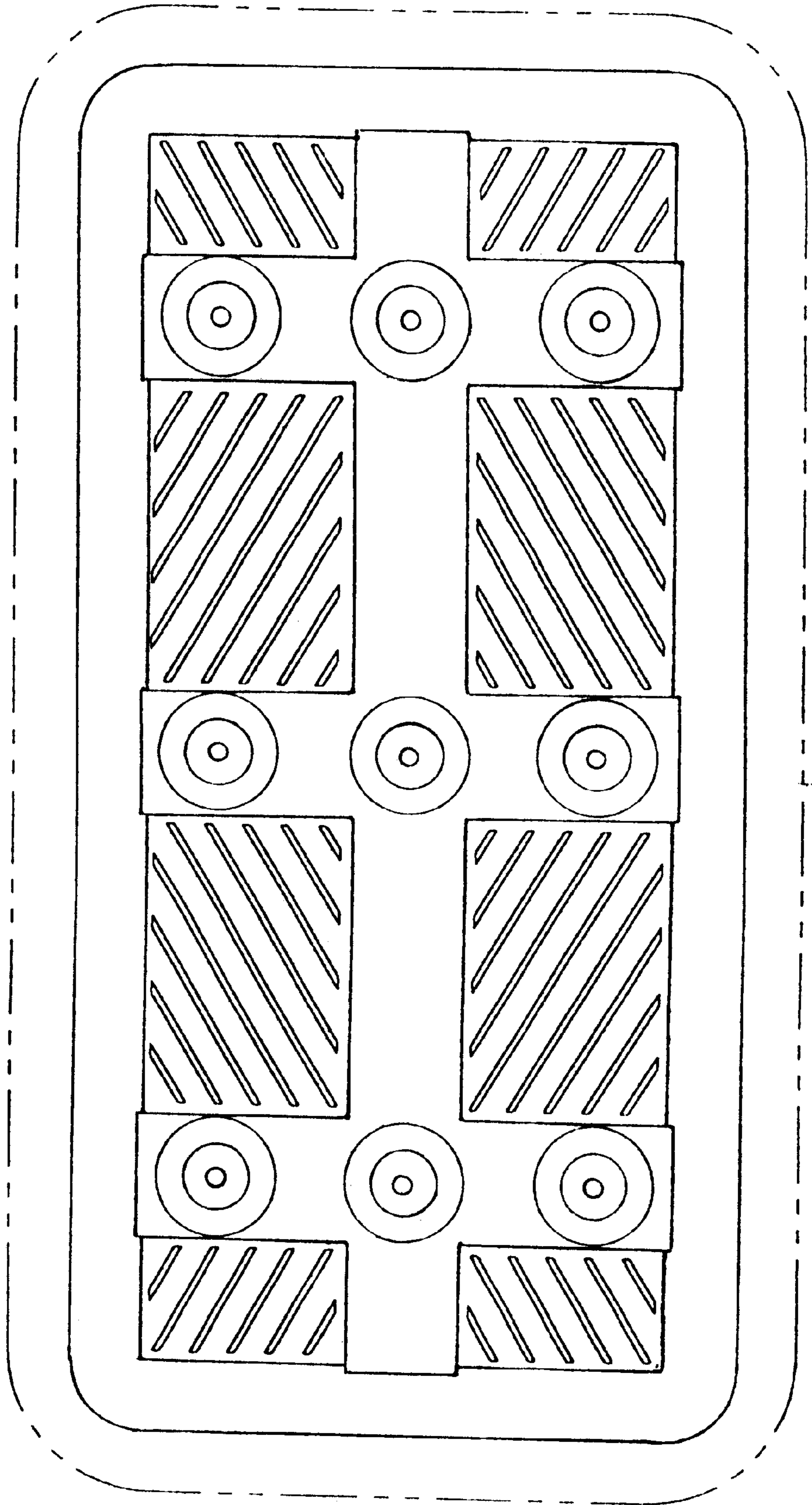


Fig. 5

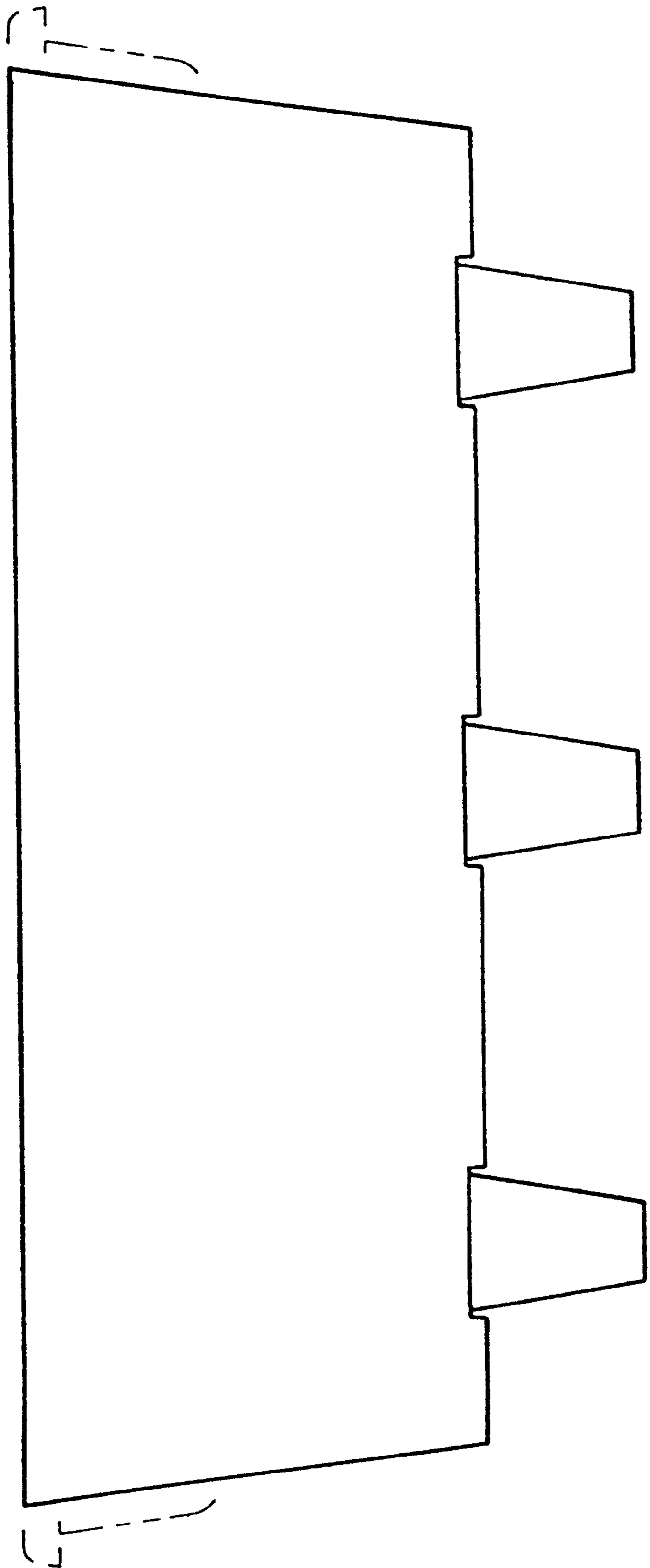


Fig. 6

