



US00D450008B1

(12) **United States Design Patent**
Sakurai et al.

(10) **Patent No.:** **US D450,008 S**

(45) **Date of Patent:** **** Nov. 6, 2001**

(54) **FIRE DETECTOR**

(75) Inventors: **Kazuyoshi Sakurai; Ichiro Hamada;**
Yasunori Oya, all of Tokyo (JP)

(73) Assignee: **Nittan Company, Limited, Tokyo (JP)**

(**) Term: **14 Years**

(21) Appl. No.: **29/137,153**

(22) Filed: **Feb. 15, 2001**

(30) **Foreign Application Priority Data**

Aug. 18, 2000 (JP) 12-022769

(51) **LOC (7) Cl.** **10-05**

(52) **U.S. Cl.** **D10/106**

(58) **Field of Search** D10/104, 106,
D10/116, 121; 340/545, 547, 555, 578,
586, 628, 629, 630, 693

(56) **References Cited**

U.S. PATENT DOCUMENTS

D. 395,614 * 6/1998 Denoon-Stevens D10/106

D. 399,157 * 10/1998 Hsu et al. D10/106

D. 422,521 * 4/2000 Morrow D10/106

D. 426,482 6/2000 Sakurai et al. .

* cited by examiner

Primary Examiner—Marcus A. Jackson

(74) *Attorney, Agent, or Firm*—Sughrue, Mion, Zinn,
Macpeak & Seas, PLLC

(57) **CLAIM**

The ornamental design for a fire detector, as shown and described.

DESCRIPTION

FIG. 1 is a perspective view of the top, front and one side of a fire detector showing our new design;

FIG. 2 is a right side elevational view thereof;

FIG. 3 is a top plan view thereof, the bottom view being a mirror image thereof;

FIG. 4 is a front elevational view thereof;

FIG. 5 is a left side elevational view thereof; and,

FIG. 6 is a rear elevational view thereof.

1 Claim, 3 Drawing Sheets

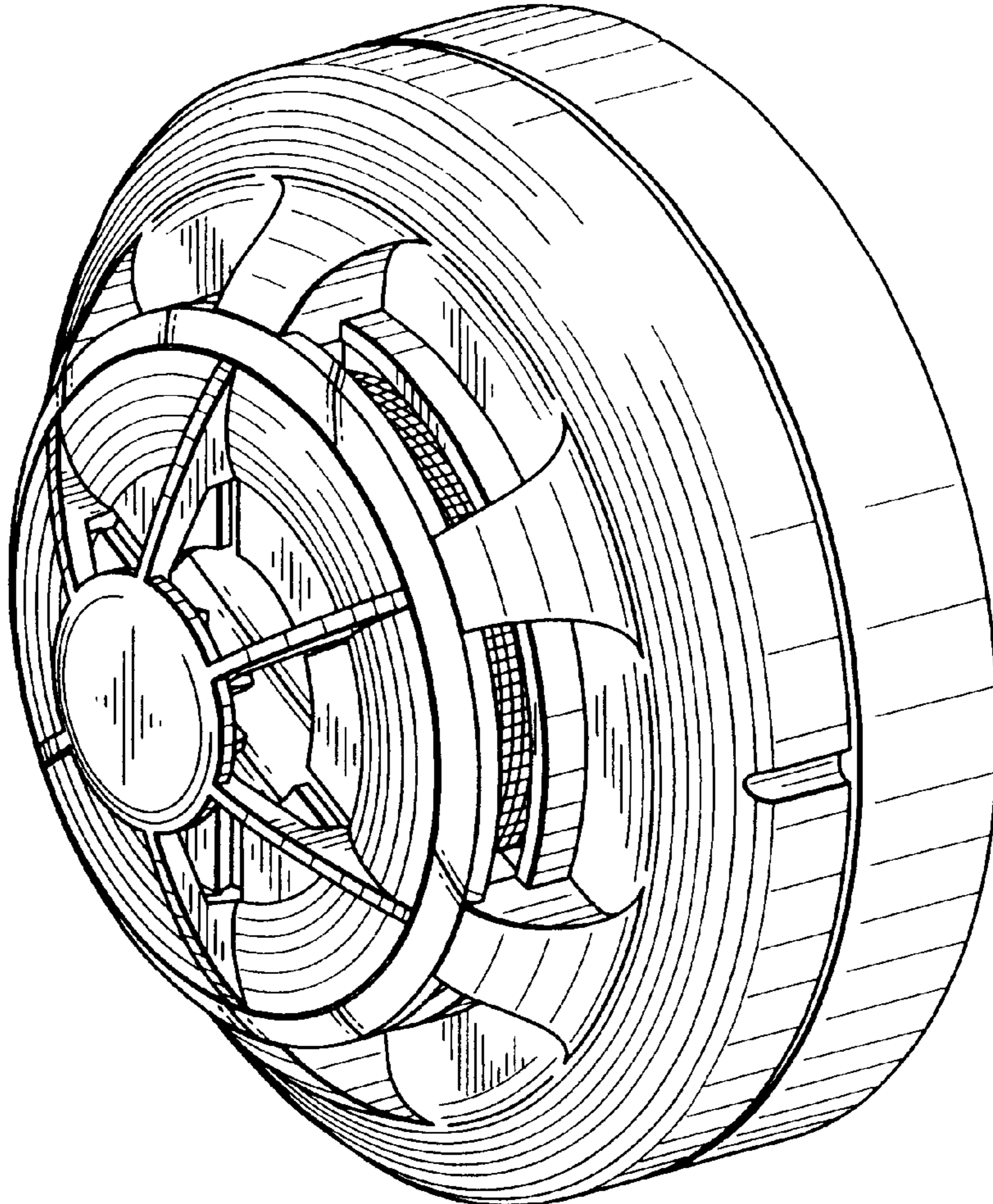


FIG. 1

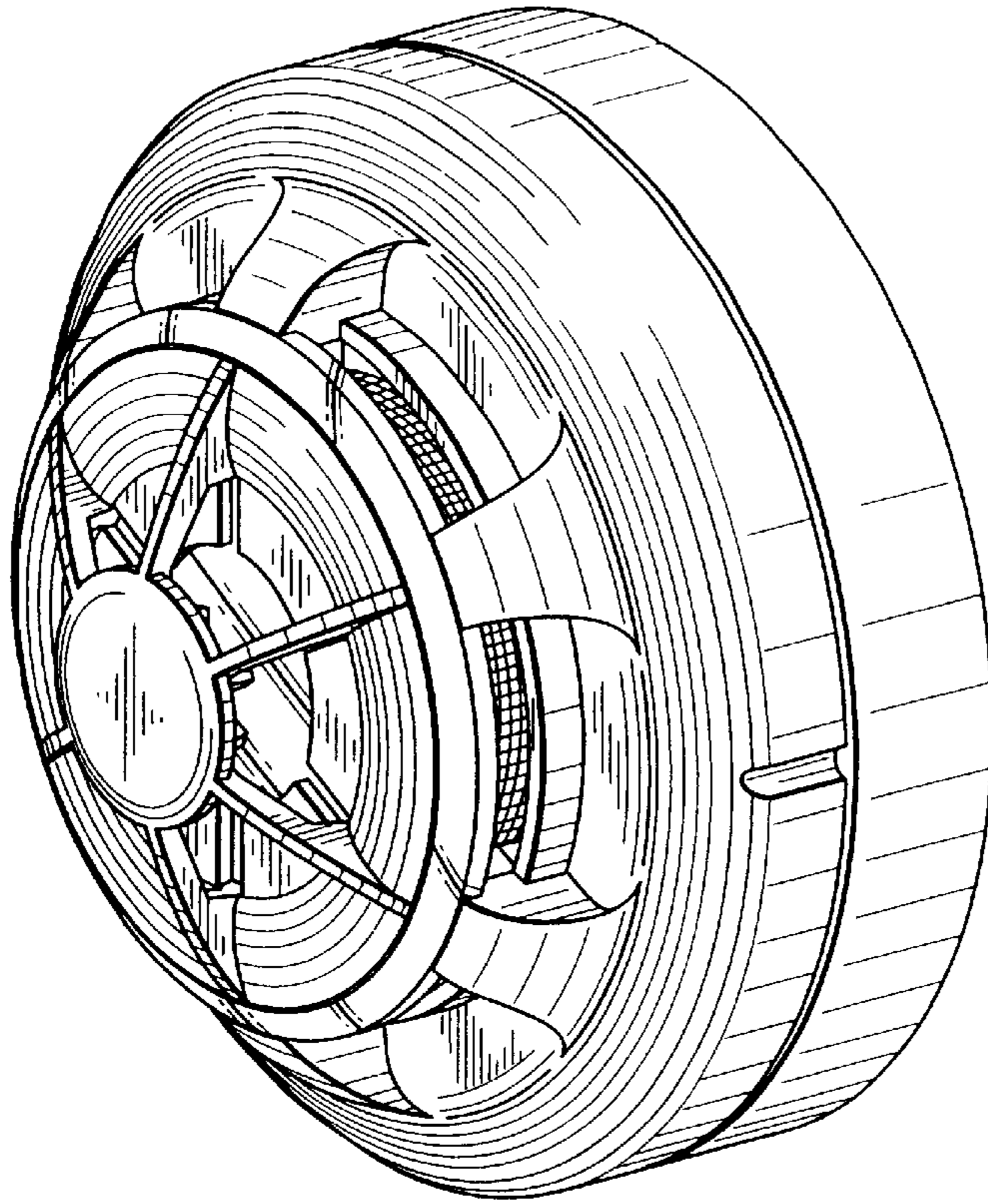


FIG. 2

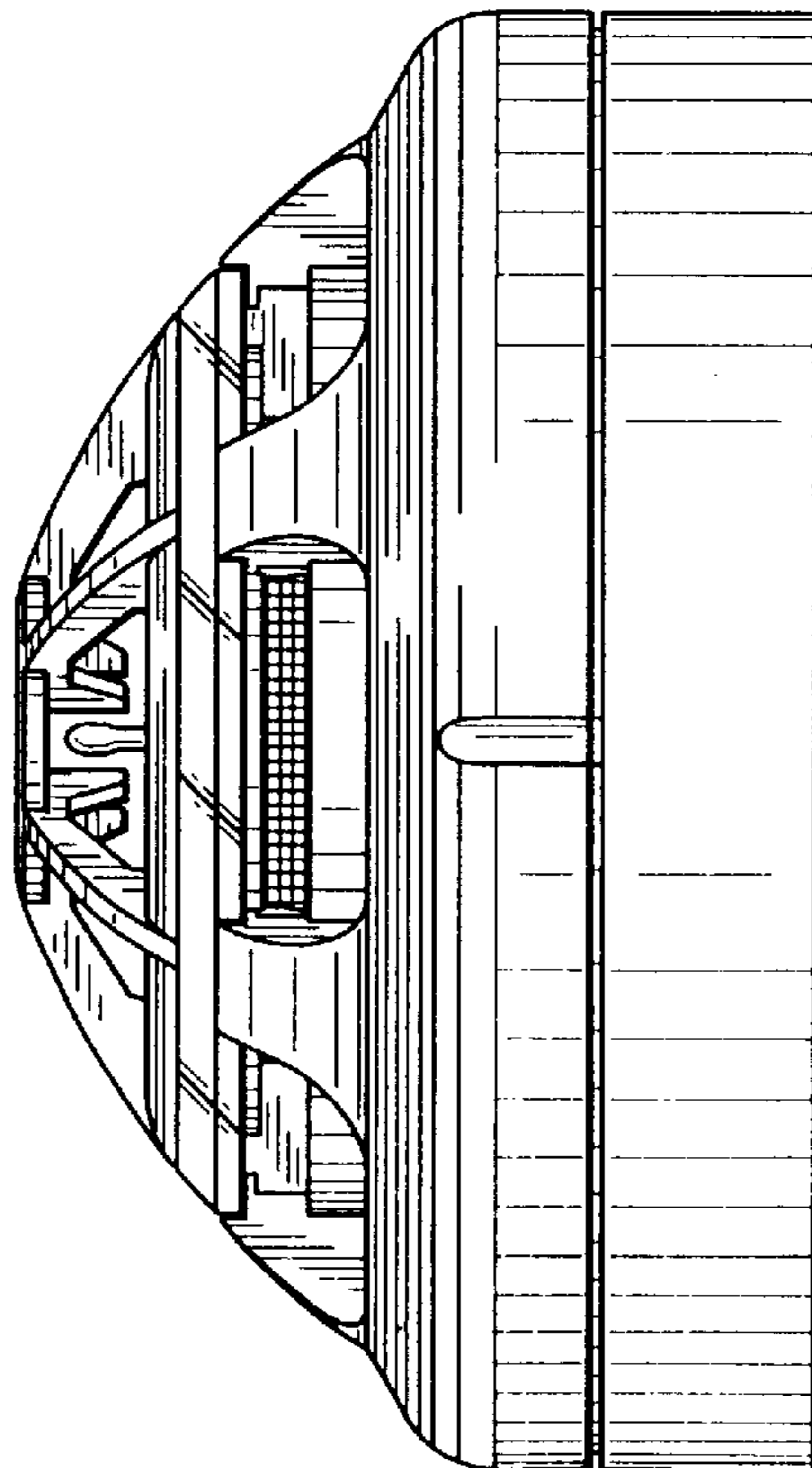


FIG. 3

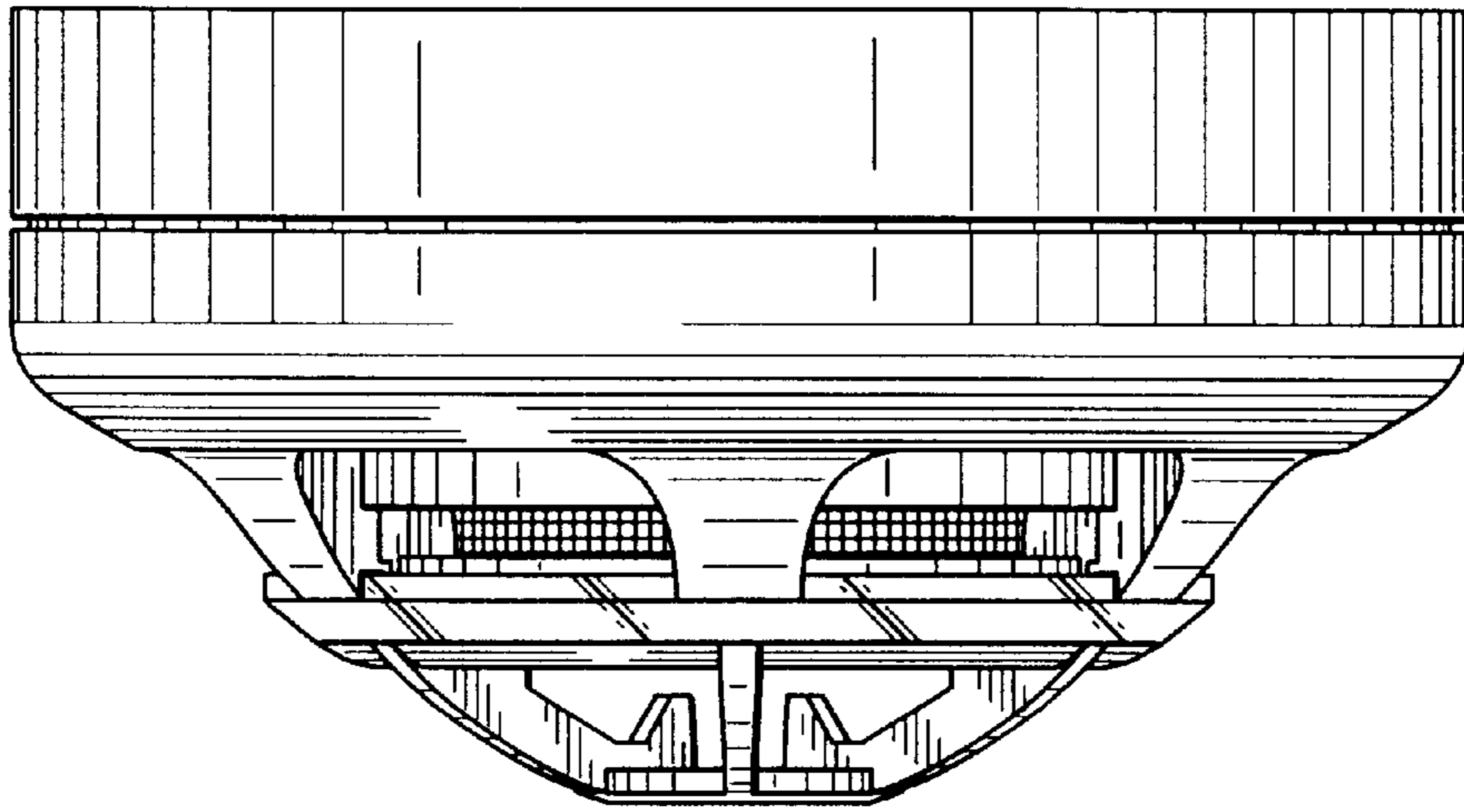


FIG. 4

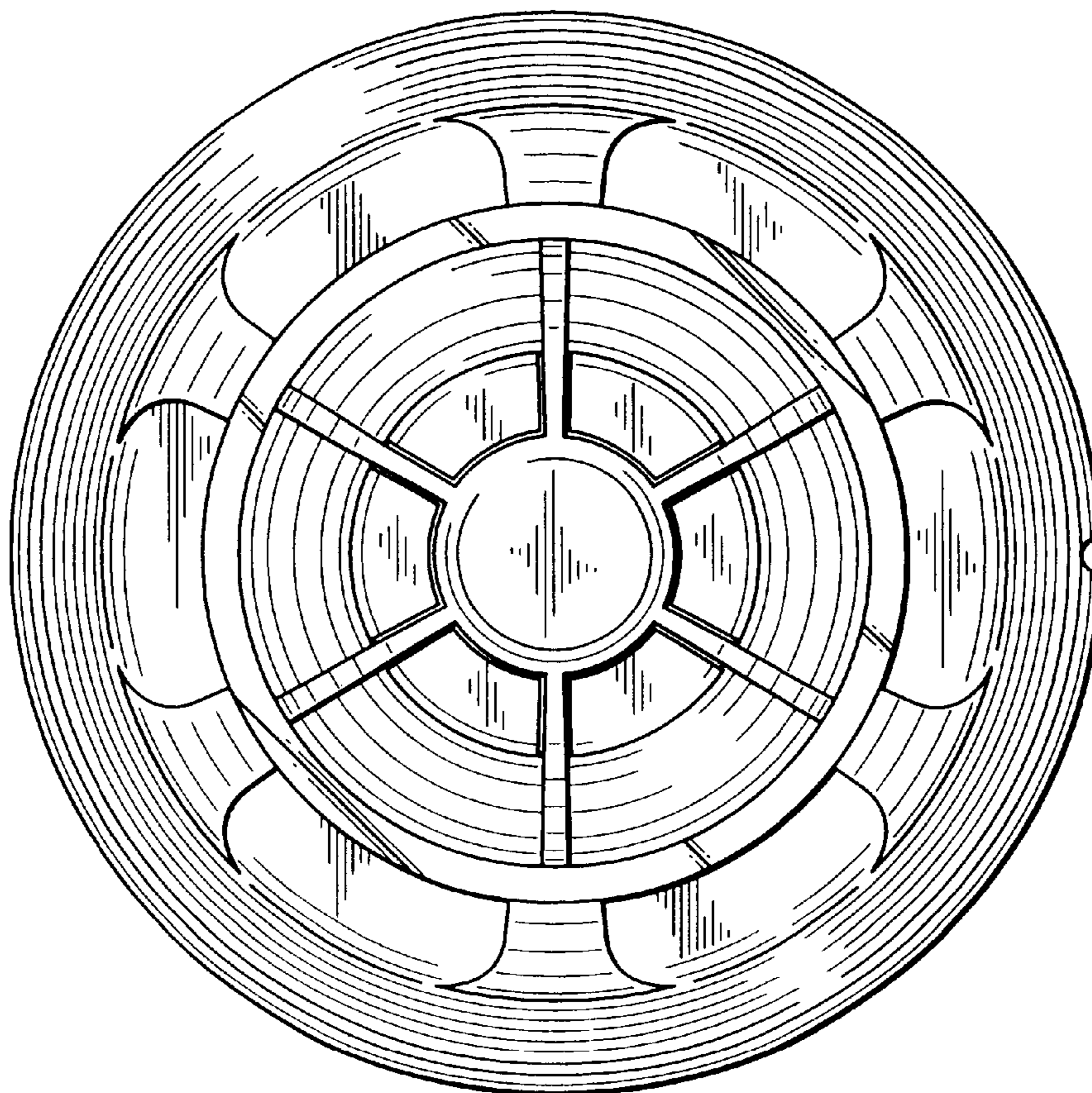


FIG. 5

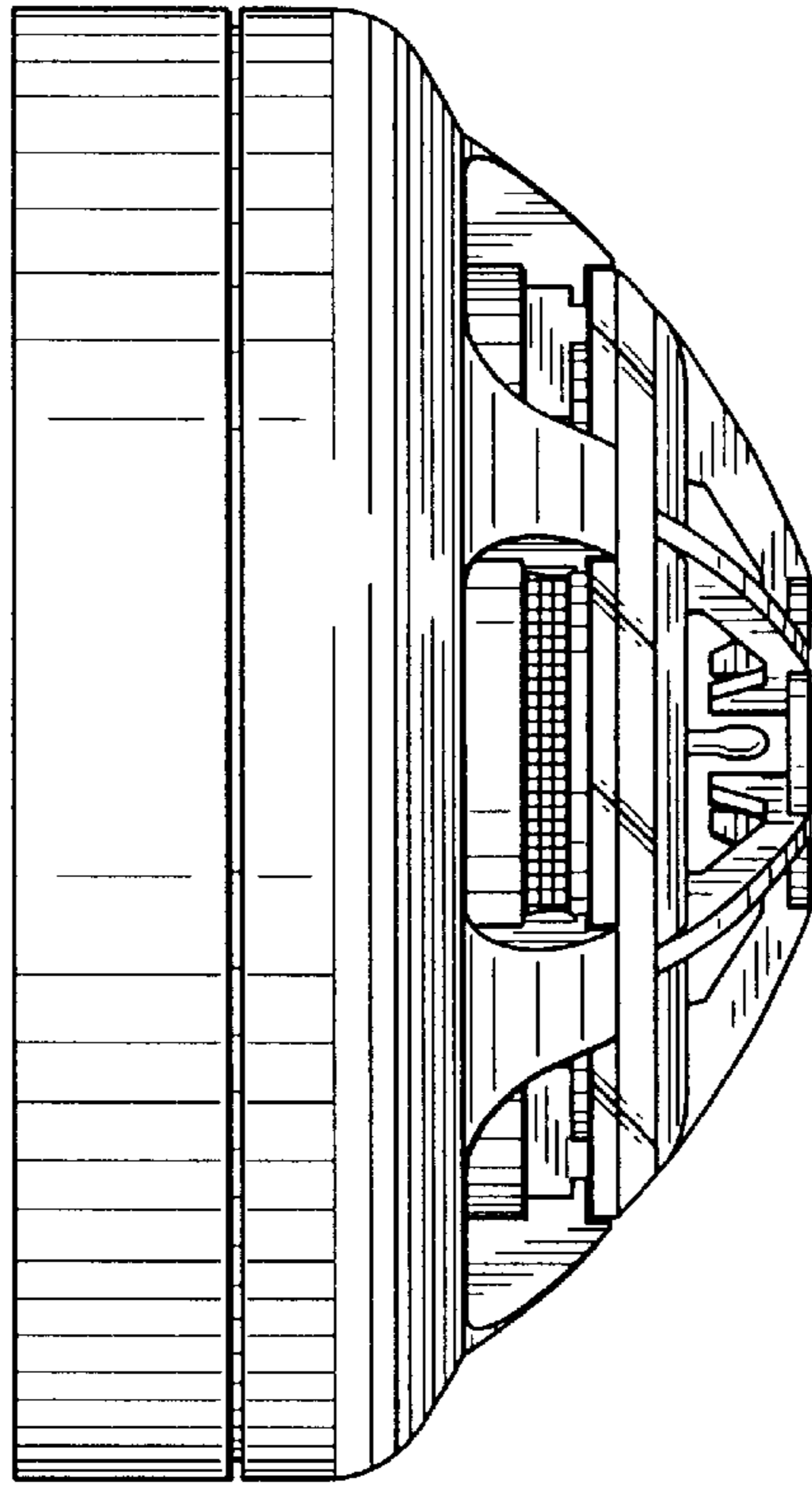


FIG. 6

