



US00D450007B1

(12) **United States Design Patent**
Volanski et al.

(10) **Patent No.:** **US D450,007 S**

(45) **Date of Patent:** **** Nov. 6, 2001**

(54) **RADAR DETECTOR**

4,221,380 * 9/1980 Miller et al. D10/104
4,725,840 * 2/1988 Oraziatti D10/104

(75) Inventors: **Aimee Jo Volanski**, Chicago, IL (US);
Daniel Aaron Phipps, Round Rock, TX (US)

OTHER PUBLICATIONS

Promotional Sheet for Radar/Laser Detector—Aug. 1998.

(73) Assignee: **Cobra Electronics Corporation**,
Chicago, IL (US)

* cited by examiner

(**) Term: **14 Years**

Primary Examiner—Marcus A. Jackson

(21) Appl. No.: **29/113,699**

(74) *Attorney, Agent, or Firm*—Wallenstein & Wagner, Ltd.

(22) Filed: **Nov. 9, 1999**

(57) **CLAIM**

We claim the ornamental design for a “radar detector”, as shown and described above.

(Under 37 CFR 1.47)

DESCRIPTION

(51) **LOC (7) Cl.** **10-05**

FIG. 1 is a top view of a radar detector;

(52) **U.S. Cl.** **D10/104**

FIG. 2 is a side view of the radar detector;

(58) **Field of Search** D10/104, 106,
D10/116, 121; 340/463, 464, 466, 933,
934, 936, 937

FIG. 3 is a side view of the radar detector;

FIG. 4 is a front view of the radar detector;

FIG. 5 is a rear view of the radar detector;

FIG. 6 is a bottom view of the radar detector;

FIG. 7 is a perspective view of the radar detector; and,

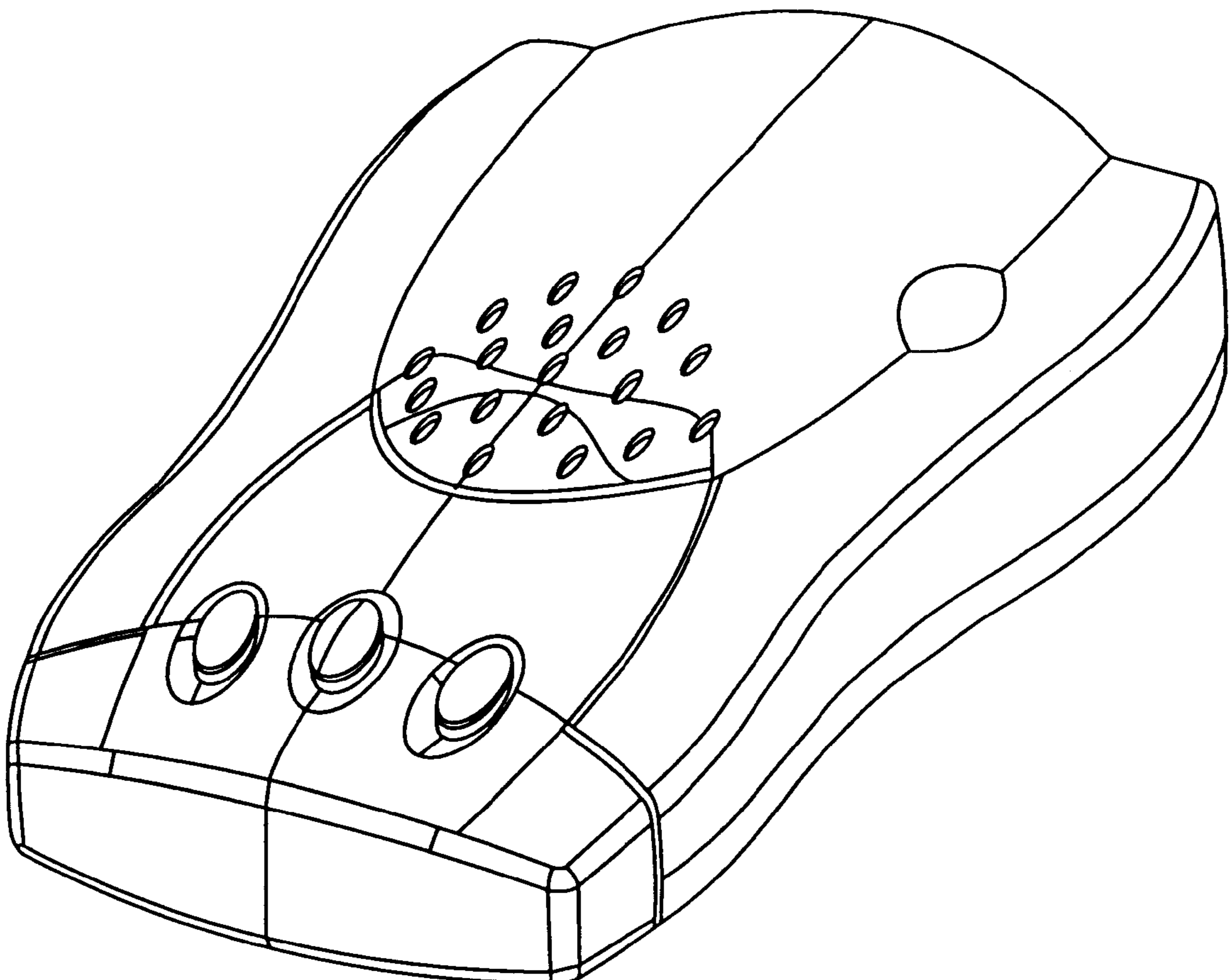
FIG. 8 is a perspective view of the radar detector.

(56) **References Cited**

U.S. PATENT DOCUMENTS

D. 432,086 * 10/2000 Arnold et al. D10/104

1 Claim, 3 Drawing Sheets



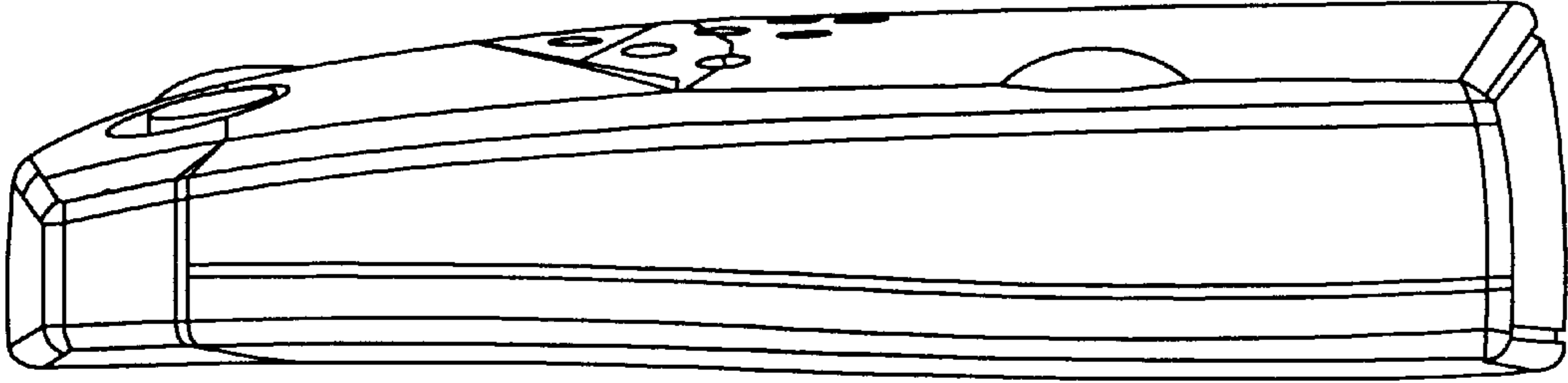


FIG. 3

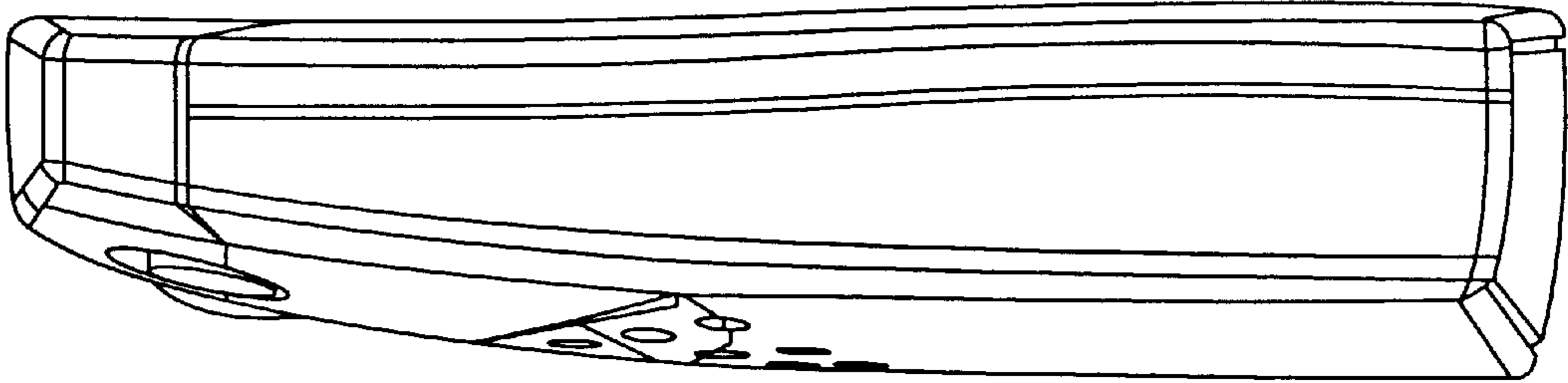


FIG. 2

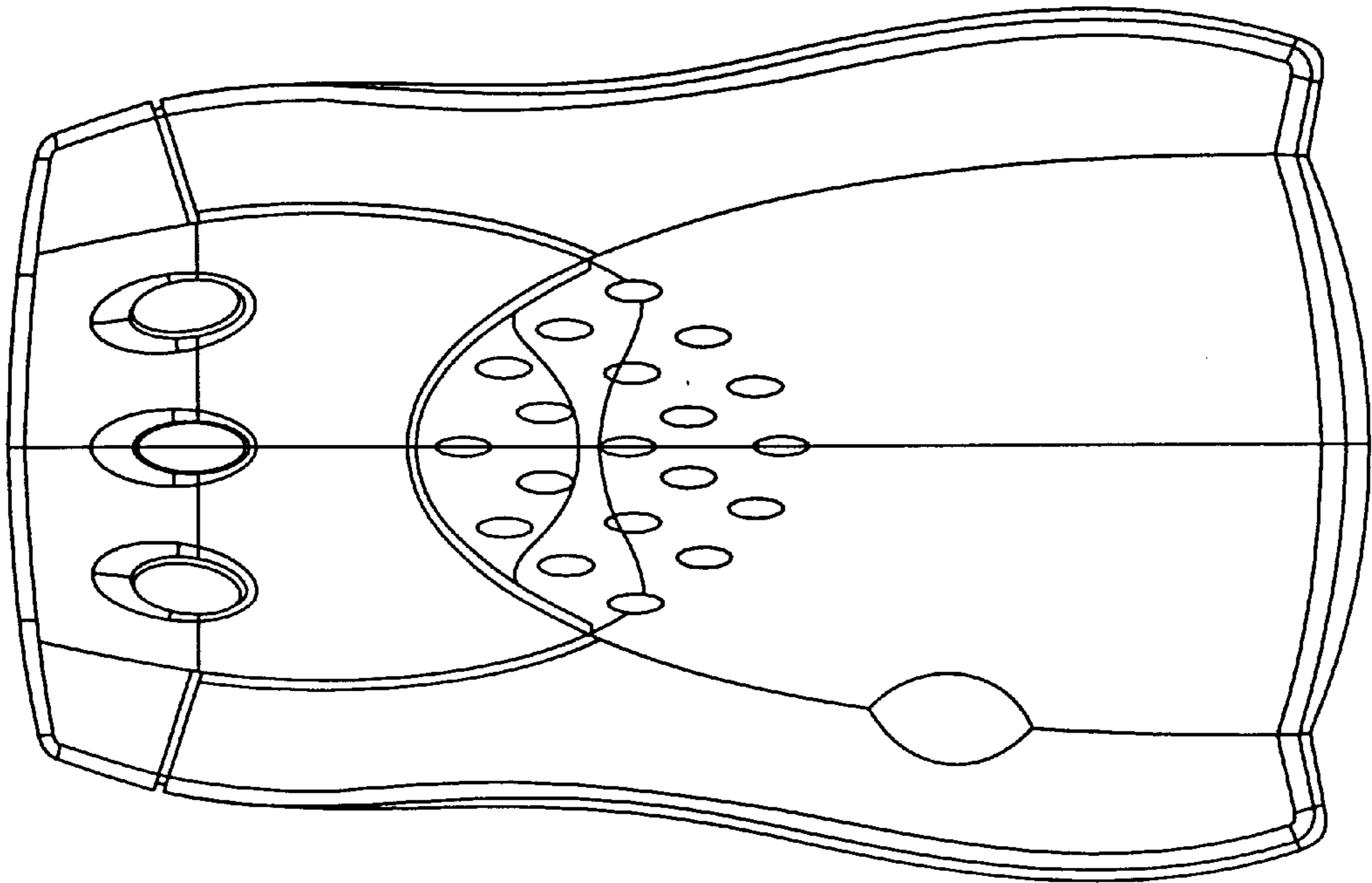


FIG. 1

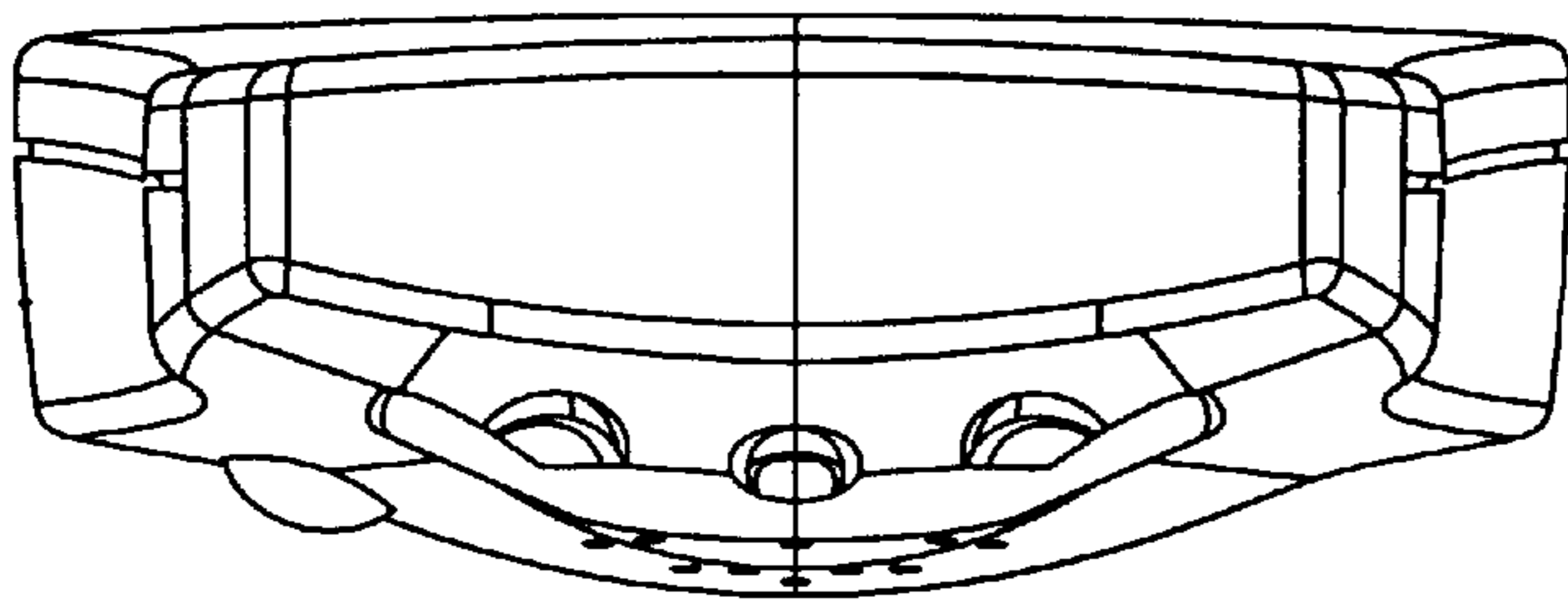


FIG. 4

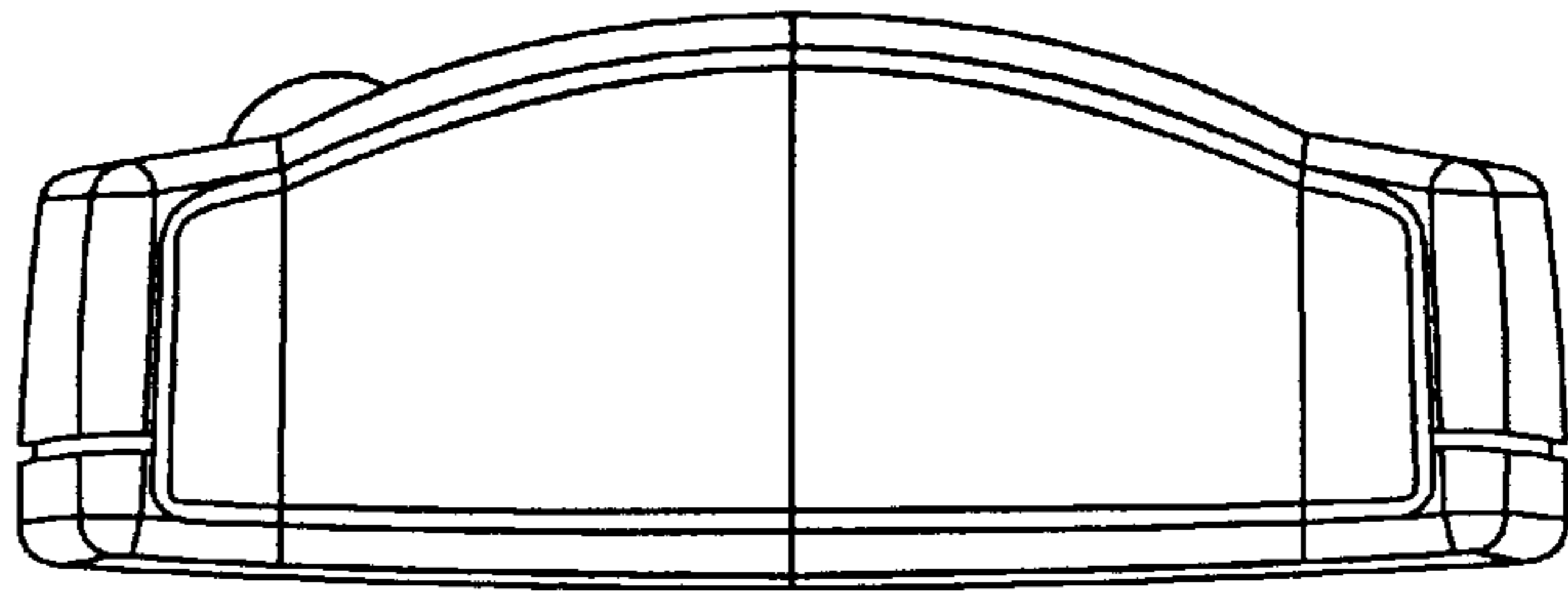


FIG. 5

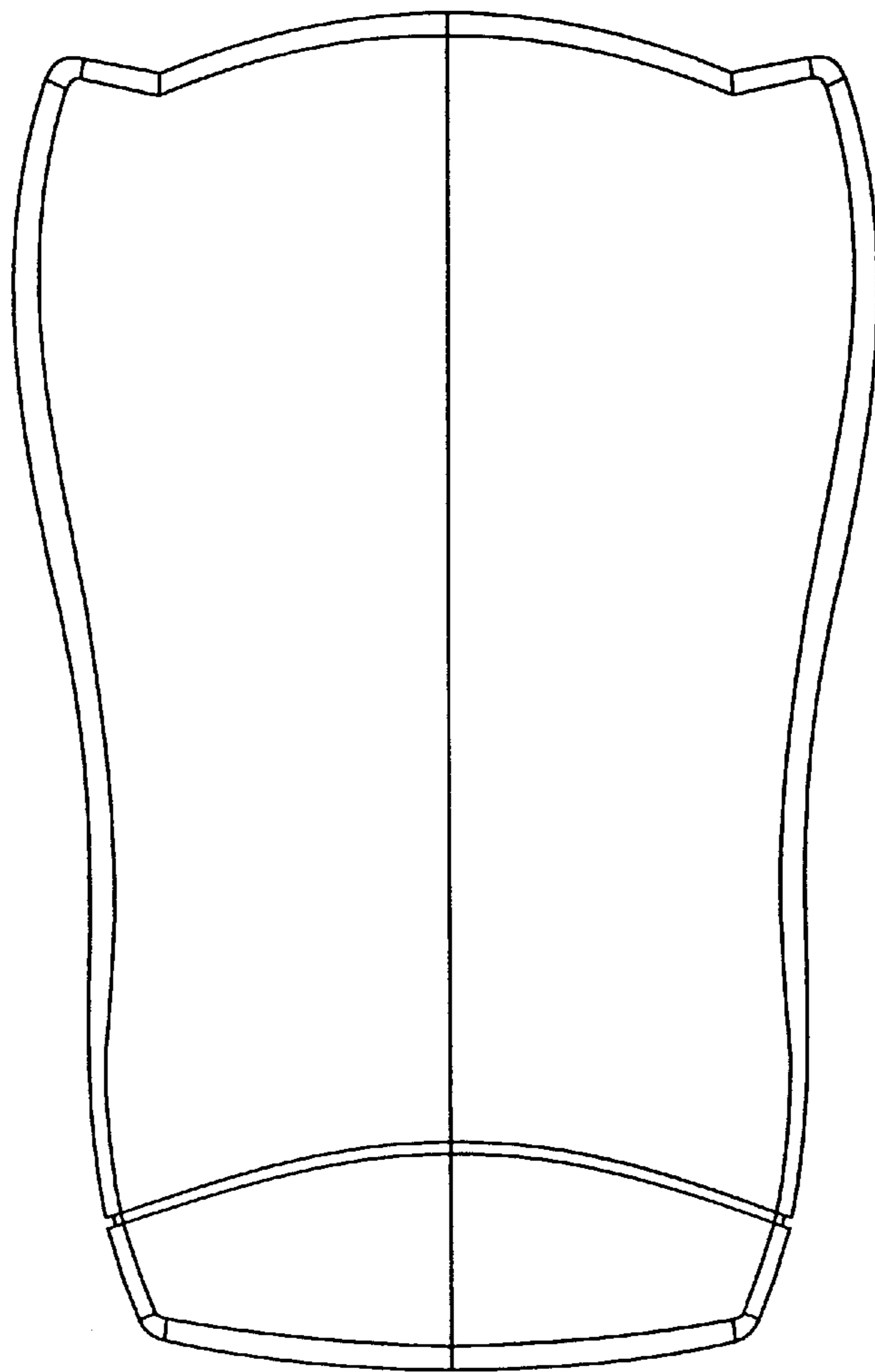


FIG. 6

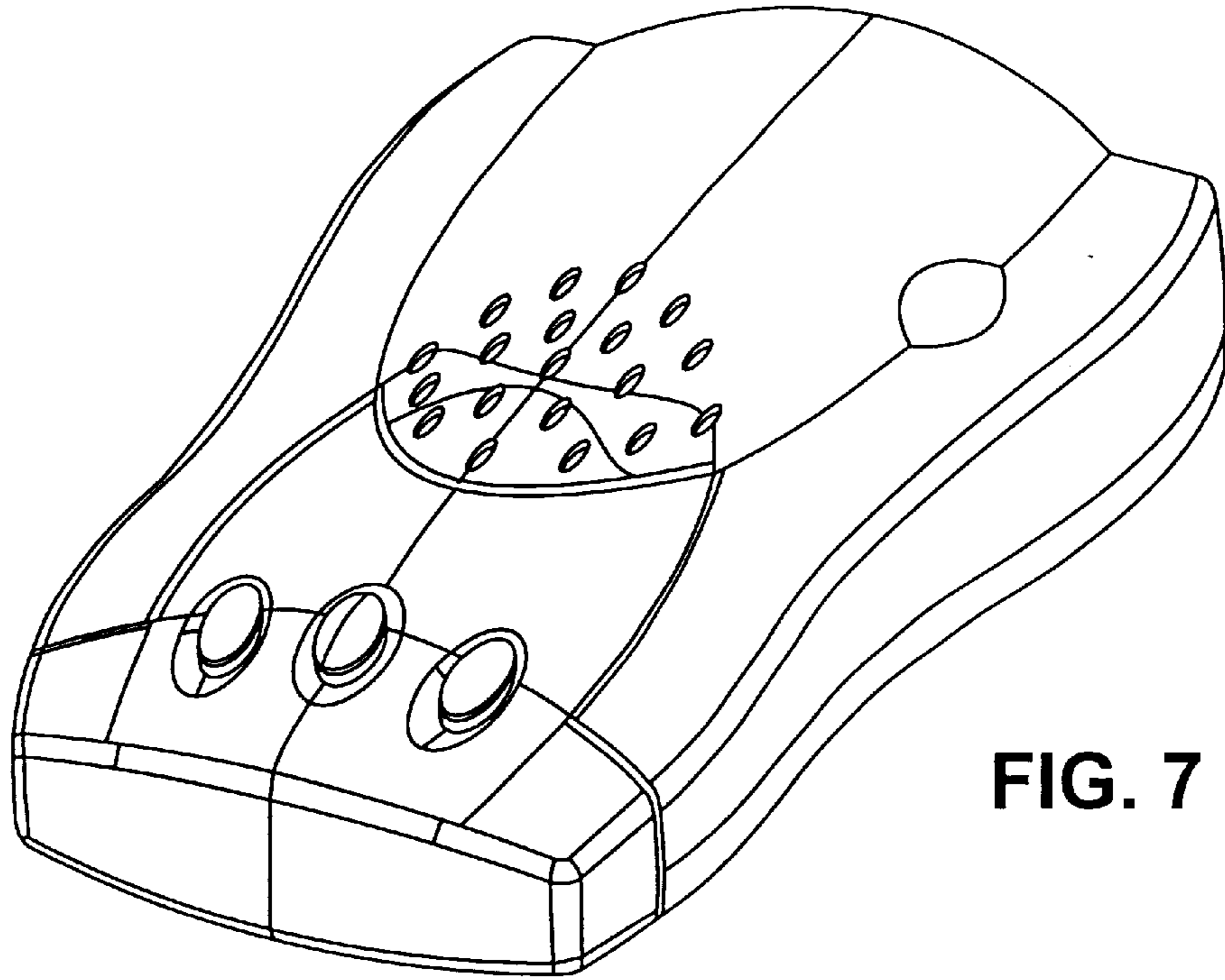


FIG. 7

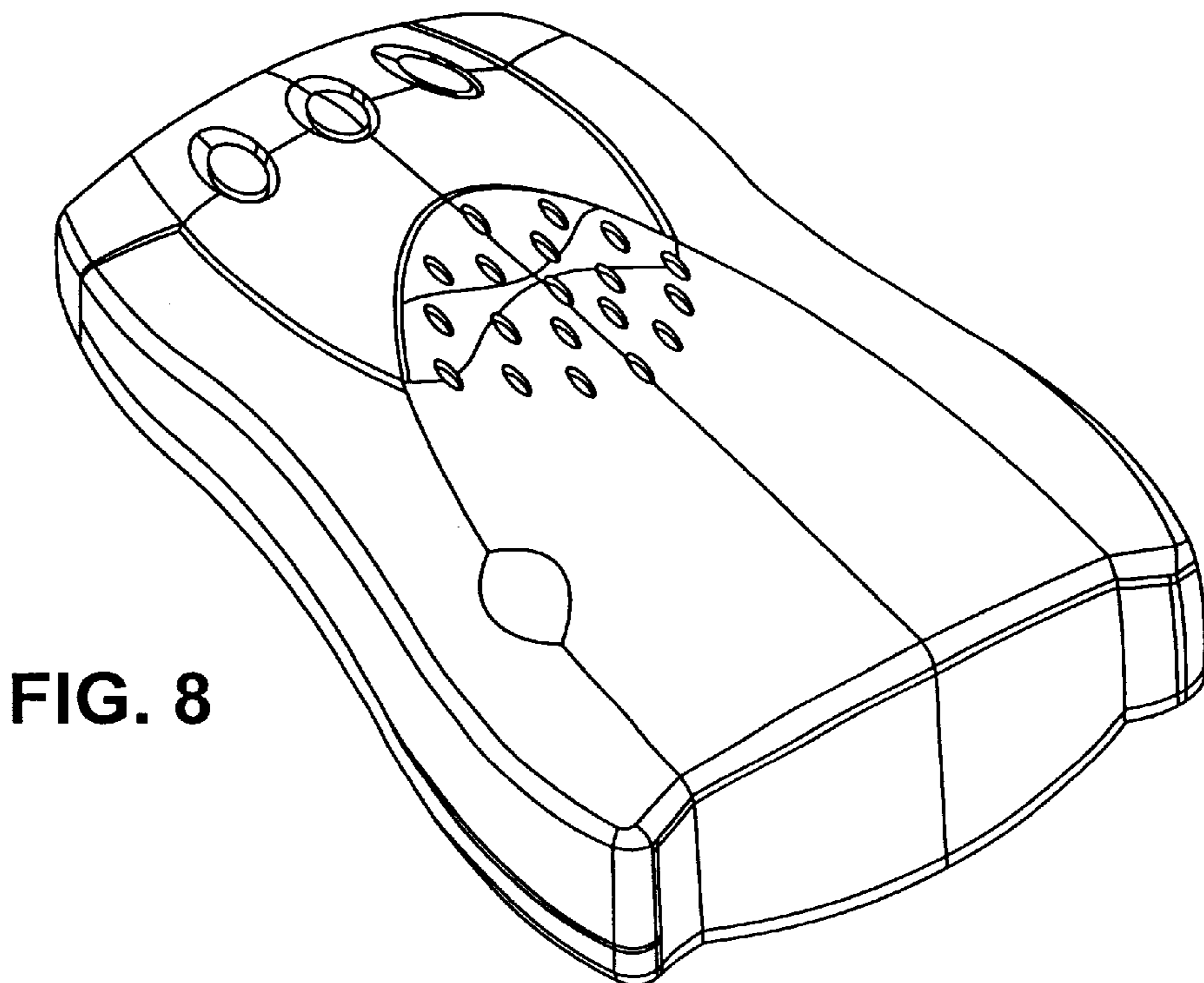


FIG. 8