



US00D45000B1

(12) **United States Design Patent**  
**Van**

(10) **Patent No.:** **US D450,000 S**

(45) **Date of Patent:** **\*\* Nov. 6, 2001**

(54) **MULTIPLE ENVIRONMENT TESTING CHAMBER**

(75) Inventor: **Phuc Van**, San Jose, CA (US)

(73) Assignee: **Ann F. Koo**, Los Altos, CA (US)

(\*\*) Term: **14 Years**

(21) Appl. No.: **29/119,176**

(22) Filed: **Feb. 24, 2000**

(51) **LOC (7) Cl.** ..... **10-04**

(52) **U.S. Cl.** ..... **D10/46**

(58) **Field of Search** ..... D10/46, 75; 73/866;  
382/145; 526/352.2; 425/72.1

(56) **References Cited**

**U.S. PATENT DOCUMENTS**

3,956,254	*	5/1976	St. Eve et al. ....	73/866
5,682,001	*	10/1997	Hanson et al. ....	73/866
6,060,024	*	5/2000	Hutchins et al. ....	422/81
6,095,000	*	8/2000	Esclar et al. ....	73/866

\* cited by examiner

*Primary Examiner*—Antoine Duval Davis

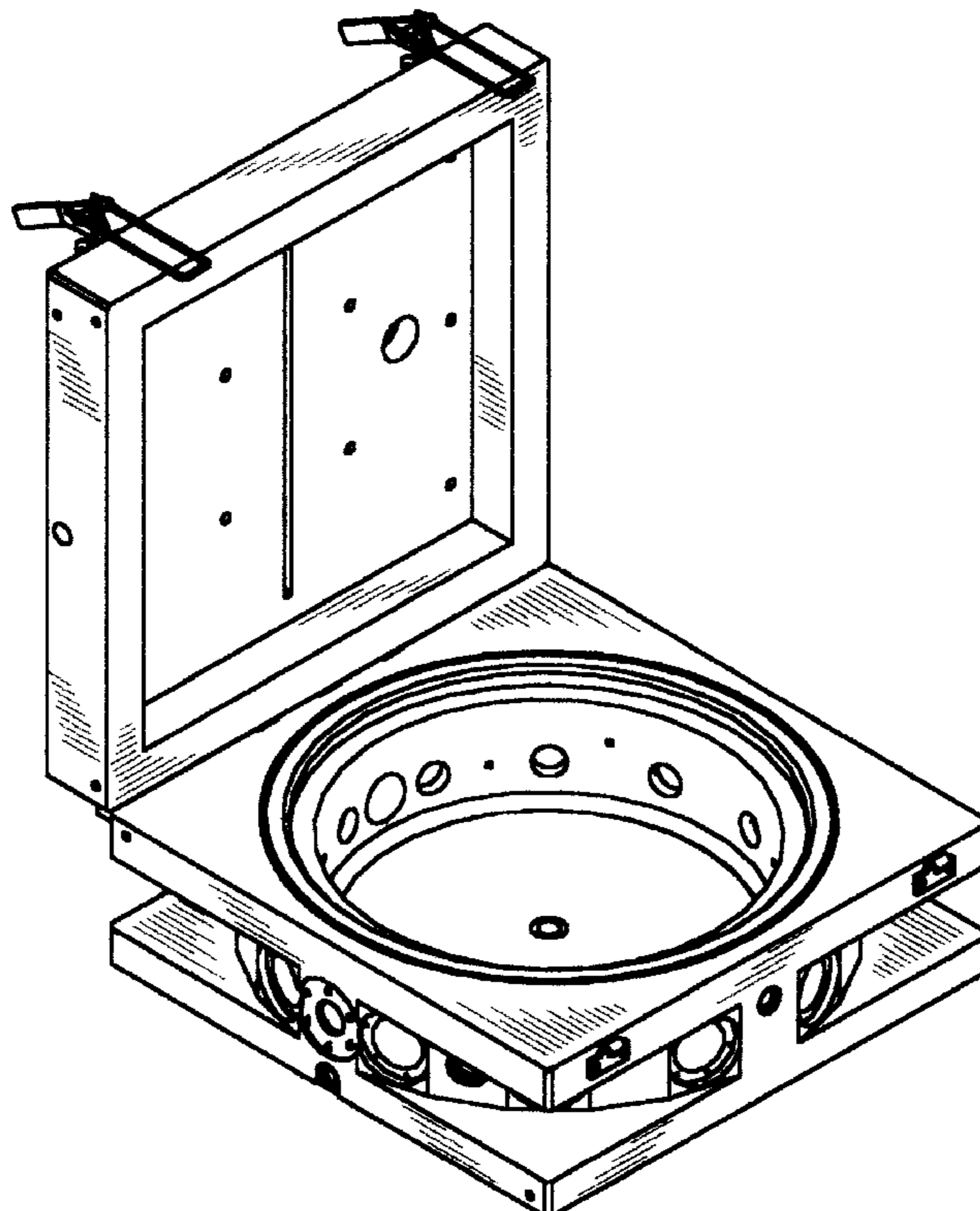
(57) **CLAIM**

The ornamental design for a multiple environment testing chamber, as shown and described.

**DESCRIPTION**

FIG. 1 is a perspective view of the top front side of the chamber with chamber lid open.  
 FIG. 2 is a perspective view of the top left side of the chamber with chamber lid open.  
 FIG. 3 is a perspective view of the bottom rear side of the chamber with chamber lid open.  
 FIG. 4 is a perspective view of the top right side of the chamber with no chamber lid attached of FIG. 1.  
 FIG. 5 is a perspective view of the top left side of the chamber with no chamber lid attached of FIG. 1.  
 FIG. 6 is a perspective view of the top rear side of the chamber with no chamber lid attached of FIG. 1.  
 FIG. 7 is a perspective view of the bottom right side of the chamber with no chamber lid attached of FIG. 1.  
 FIG. 8 is a perspective view of the bottom left side of the chamber with no chamber lid attached of FIG. 1.  
 FIG. 9 is a perspective view of the front bottom side of the chamber with no chamber lid attached of FIG. 1.  
 FIG. 10 is a perspective view of the top rear side of the chamber lid of FIG. 2.  
 FIG. 11 is a perspective view of the top right rear side of the chamber lid of FIG. 2.  
 FIG. 12 is a perspective view of the top front side of the chamber lid of FIG. 2.  
 FIG. 13 is a perspective view of the bottom front side of the chamber lid of FIG. 2; and,  
 FIG. 14 is a perspective view of the bottom rear side of the chamber lid of FIG. 2.

**1 Claim, 14 Drawing Sheets**



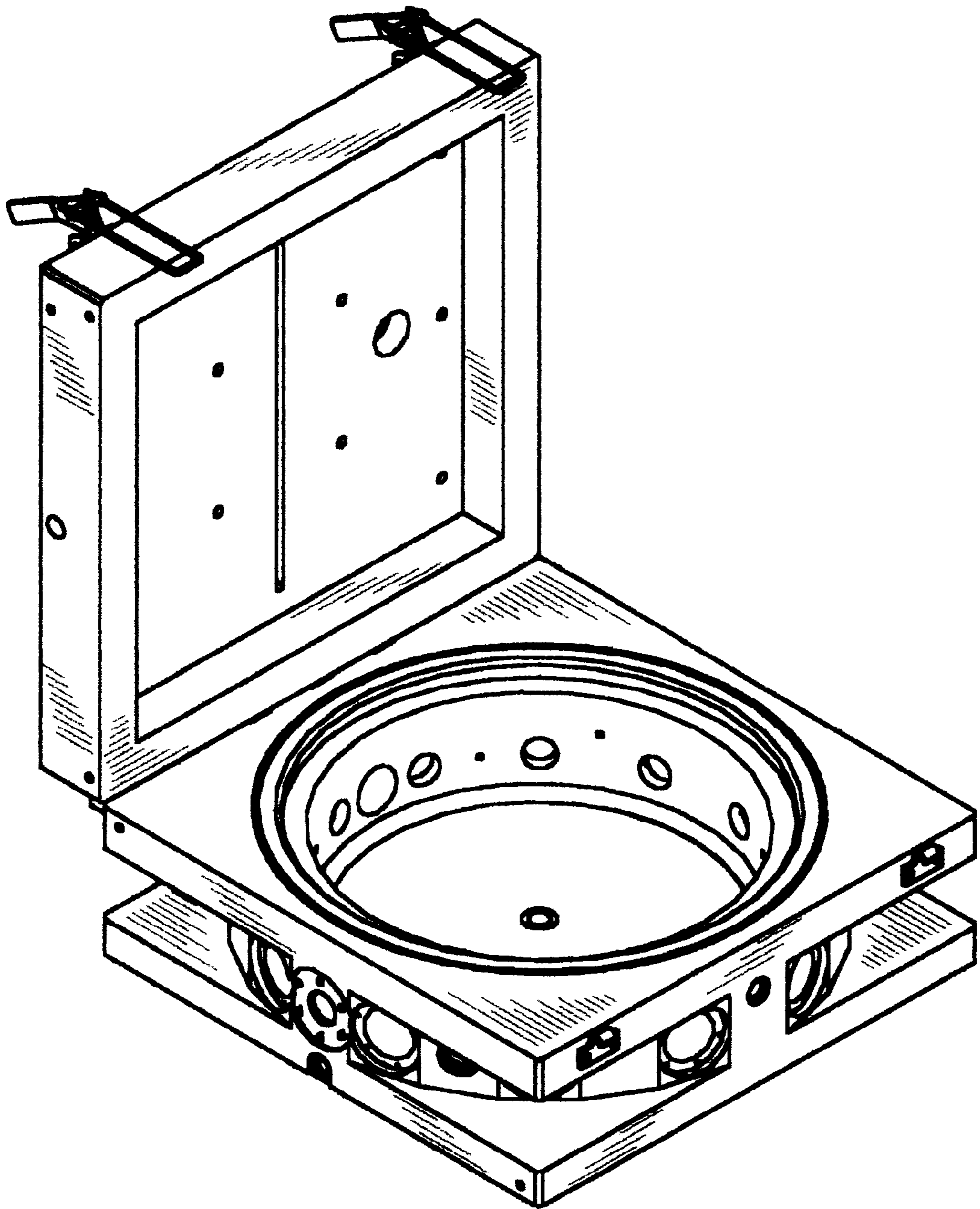


FIG. 1

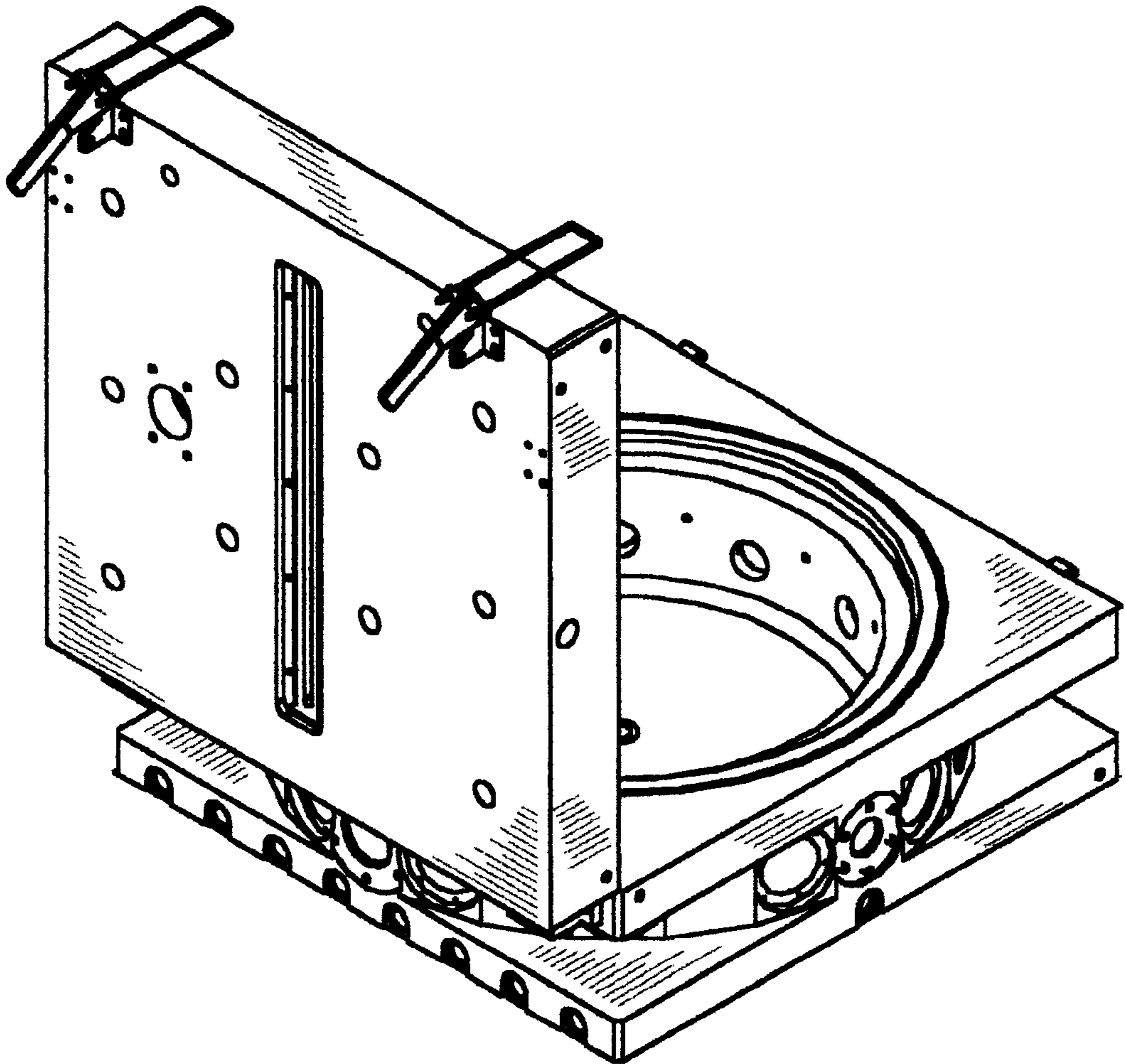


FIG. 2

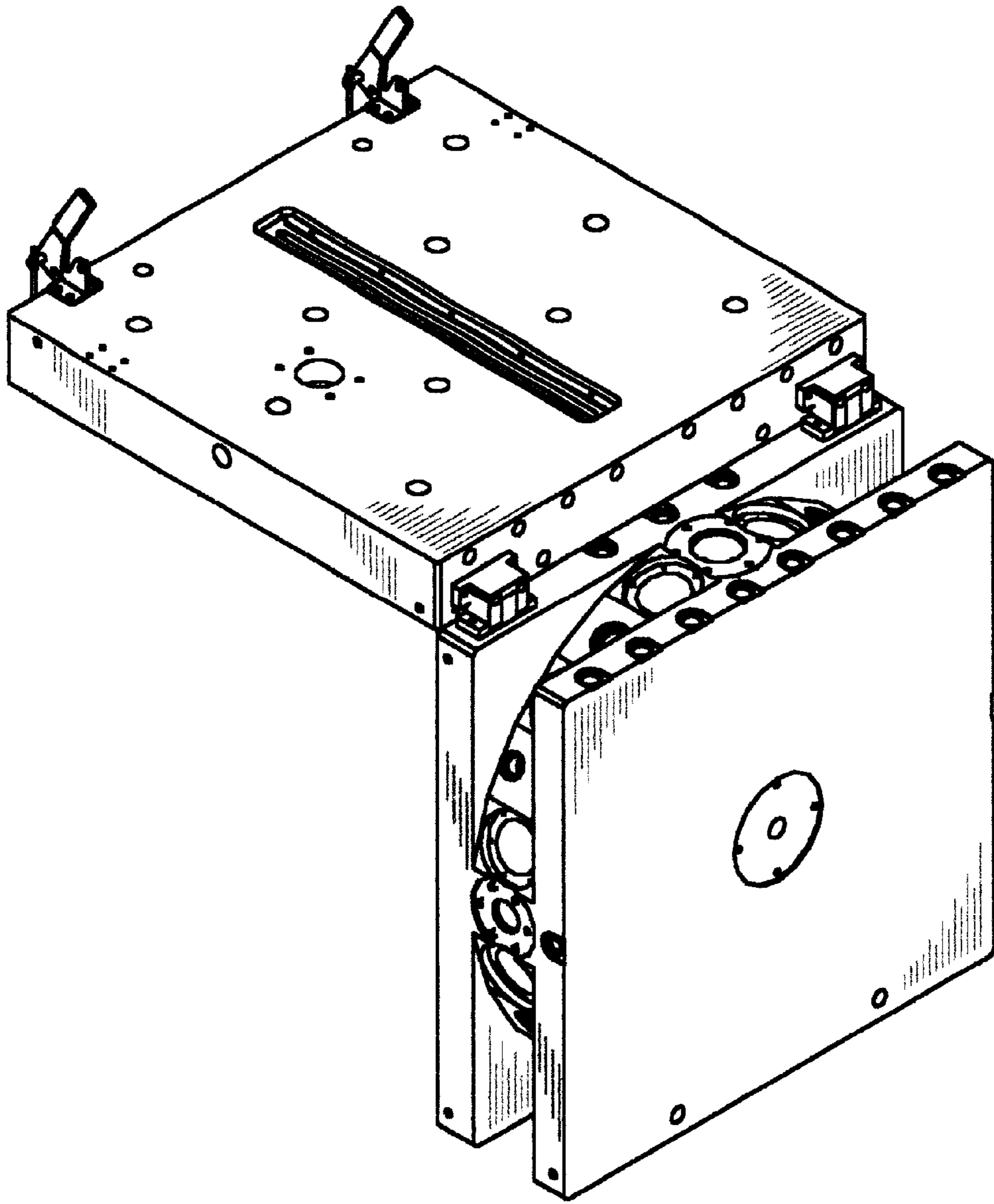


FIG. 3

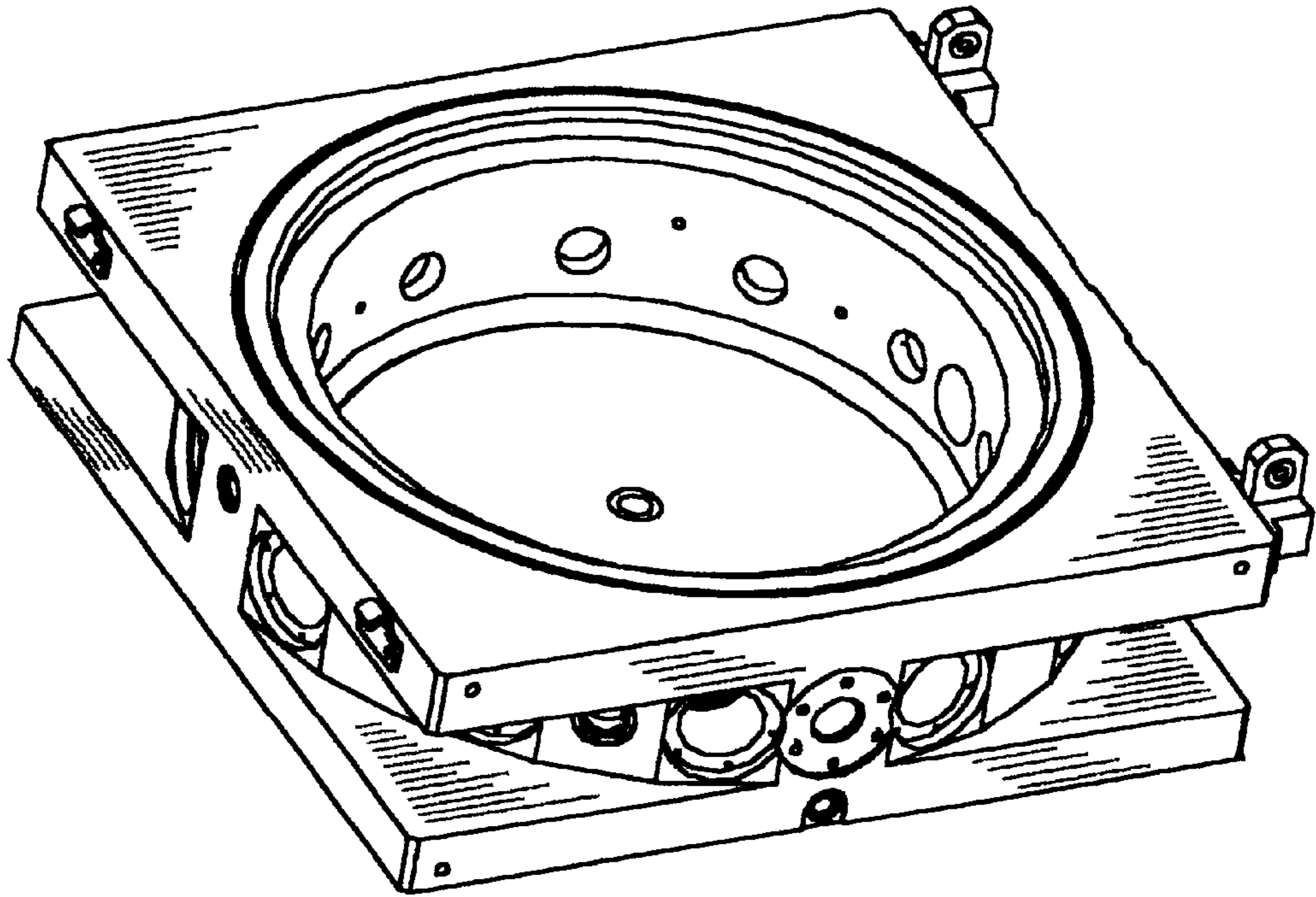


FIG. 4

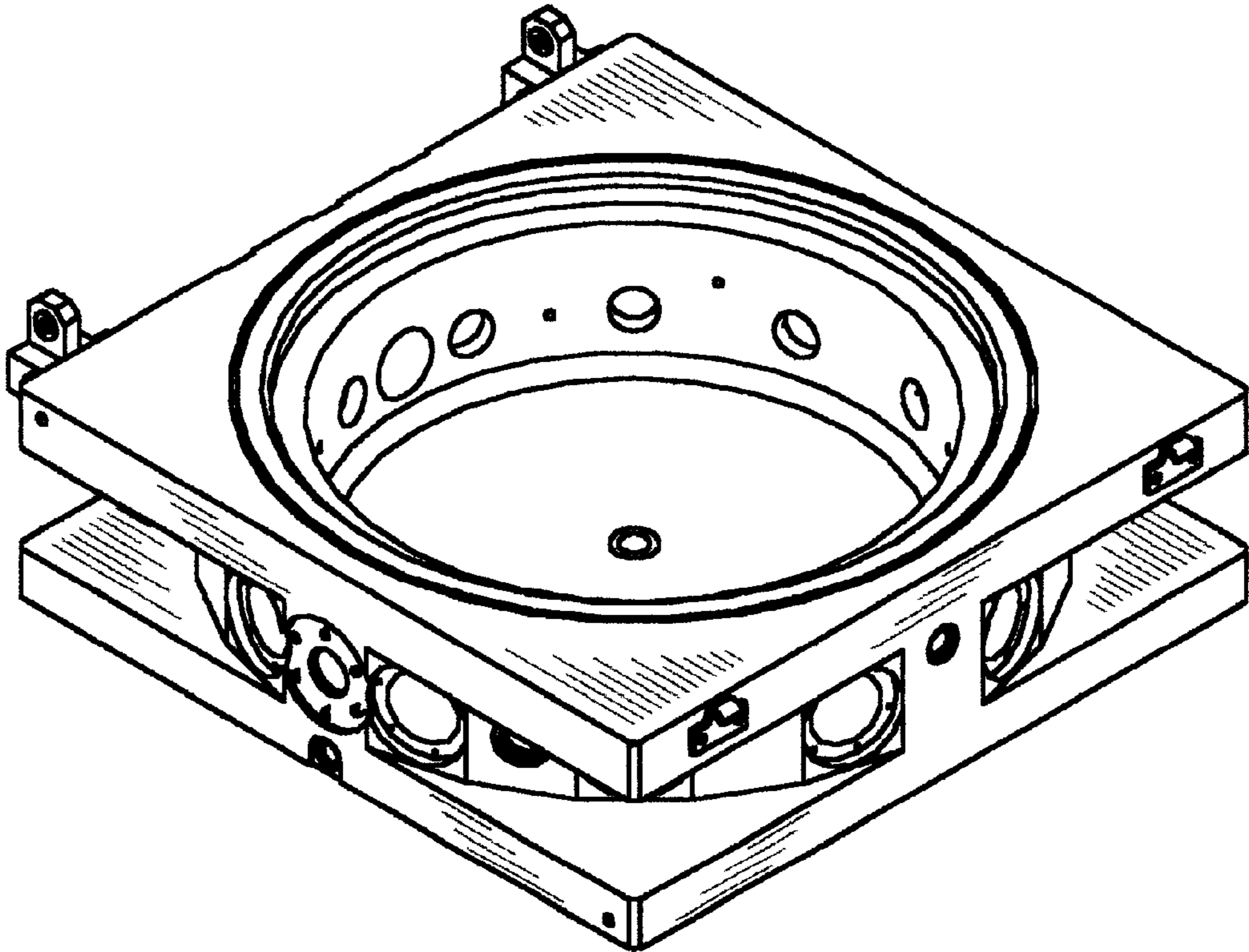


FIG. 5

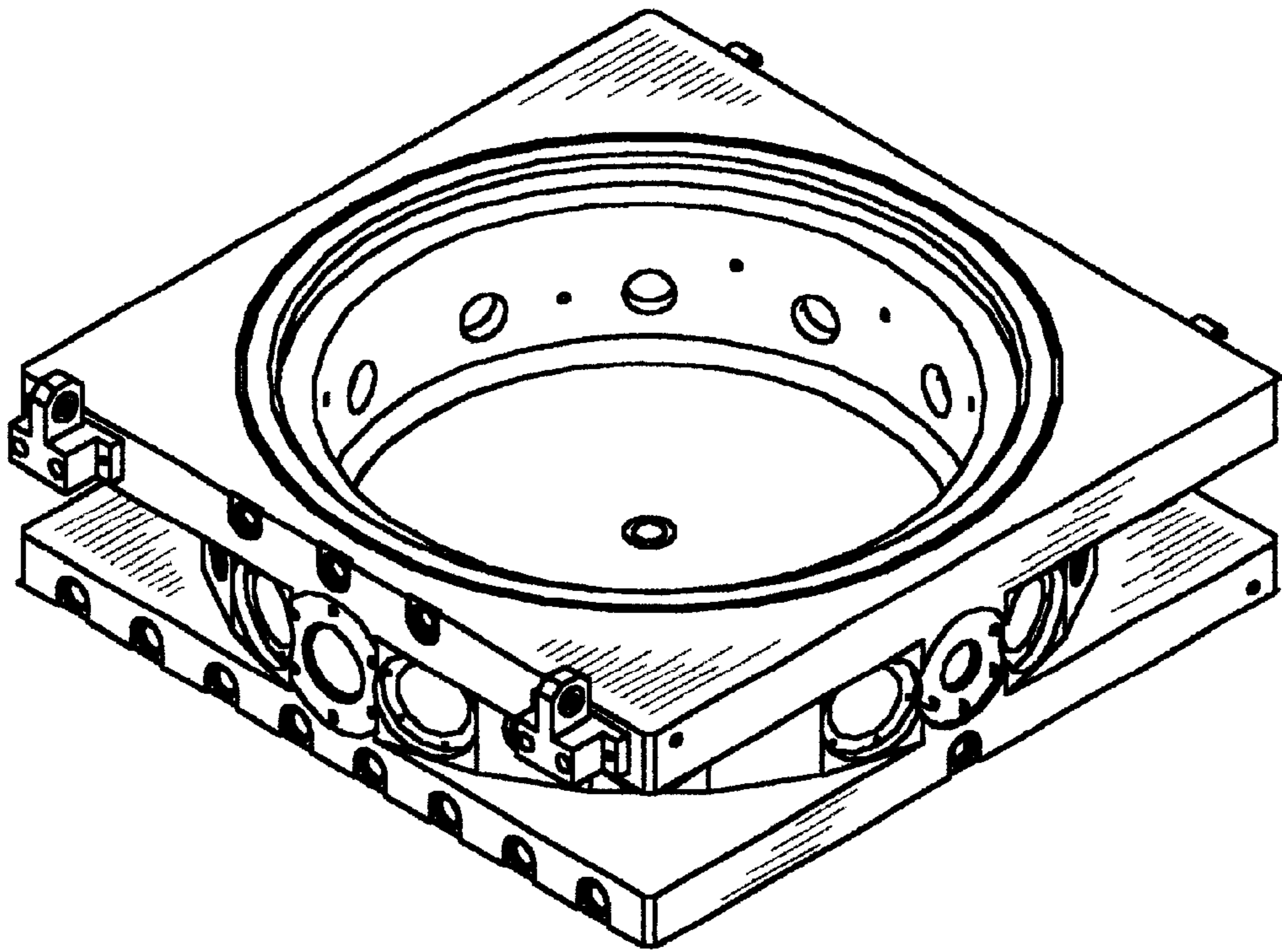


FIG. 6

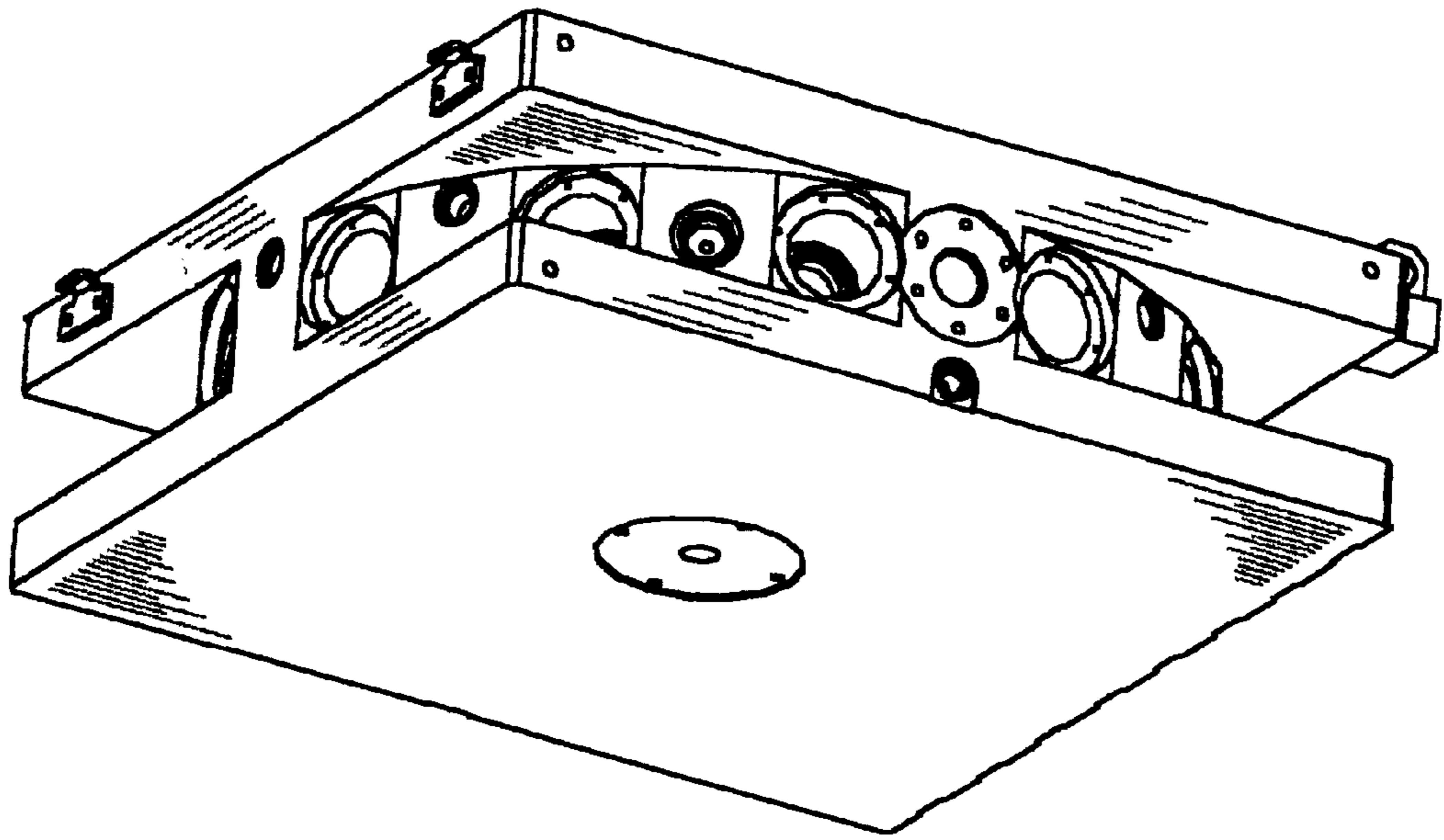


FIG. 7



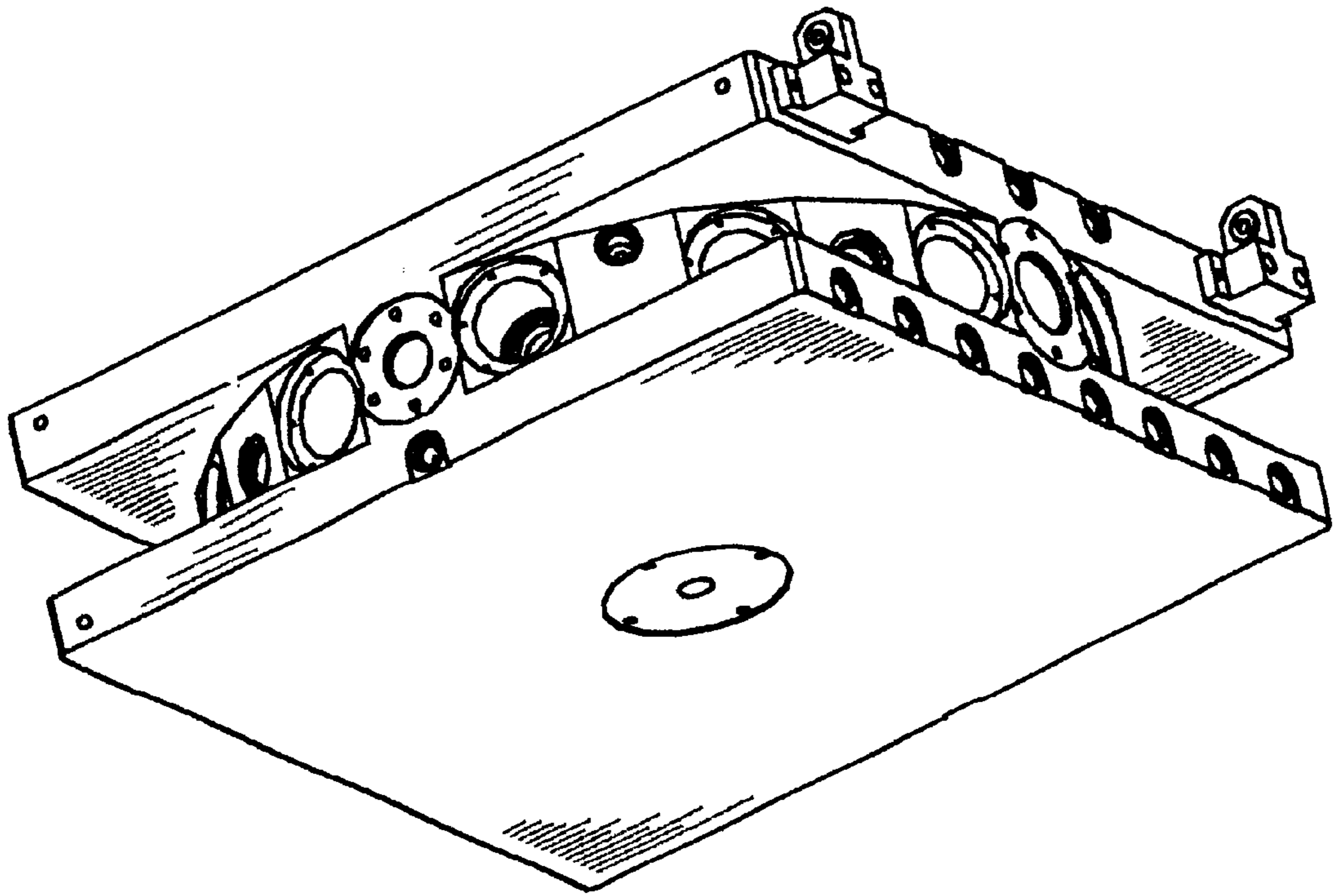


FIG. 8

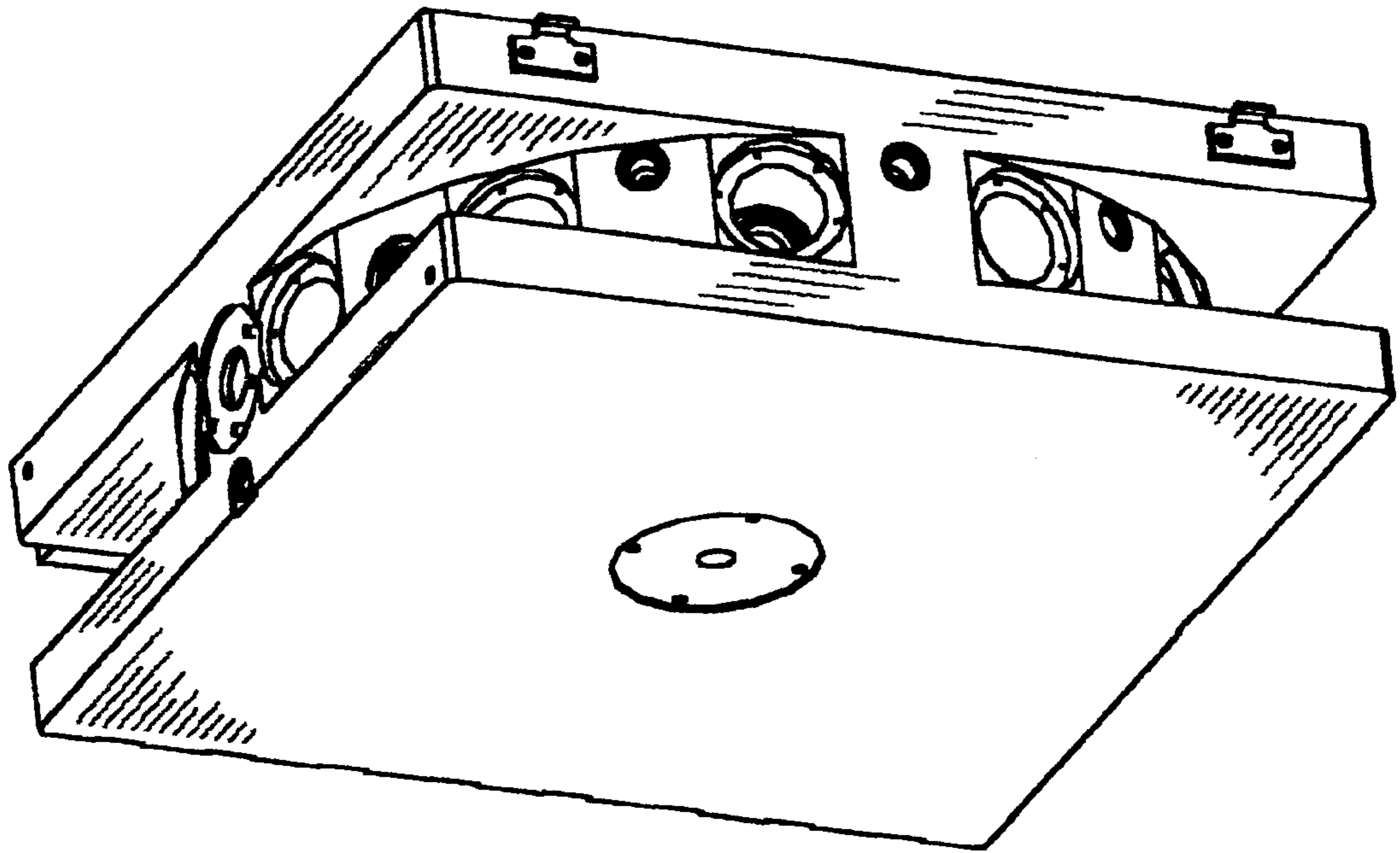


FIG. 9

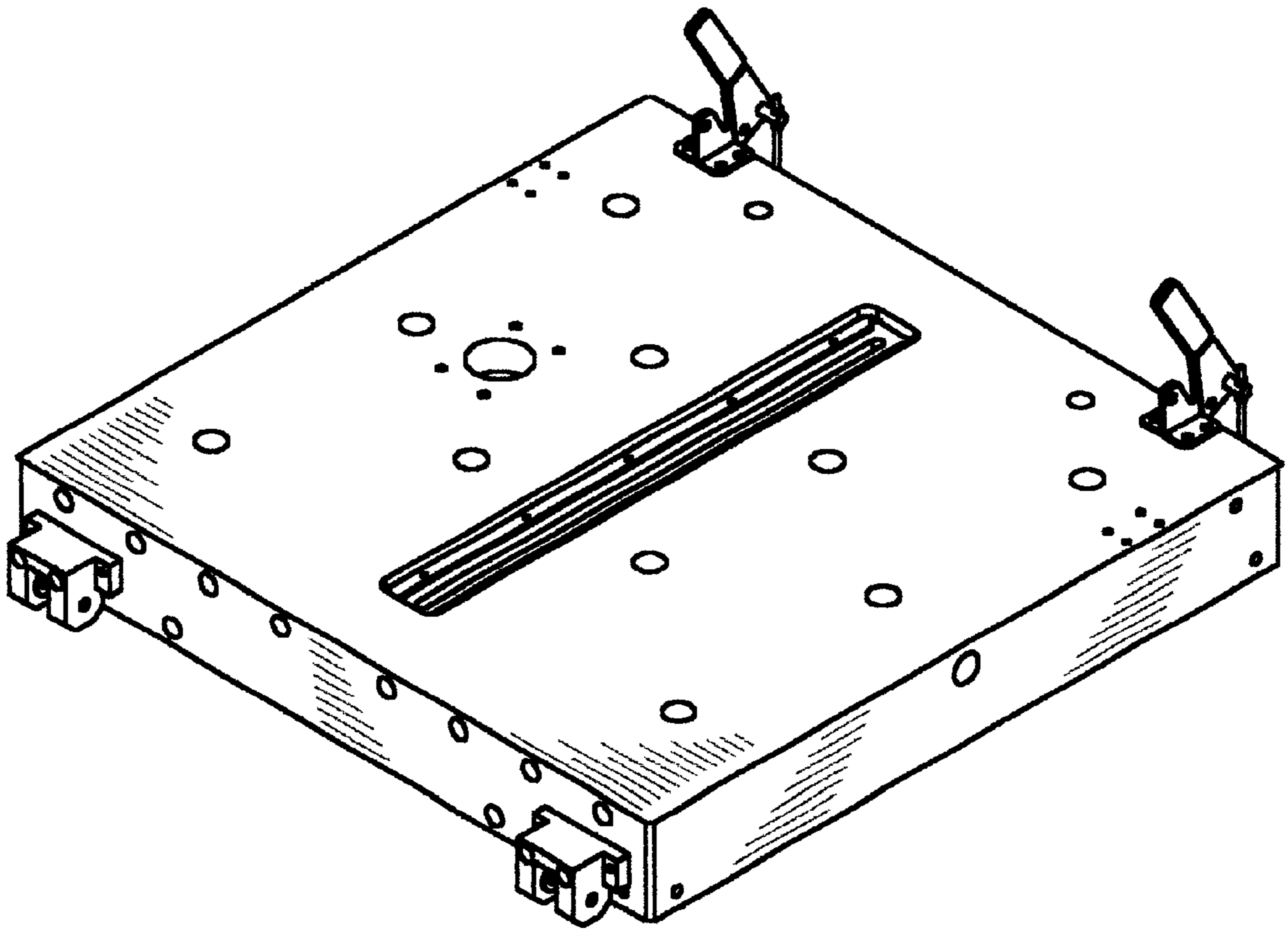


FIG. 10

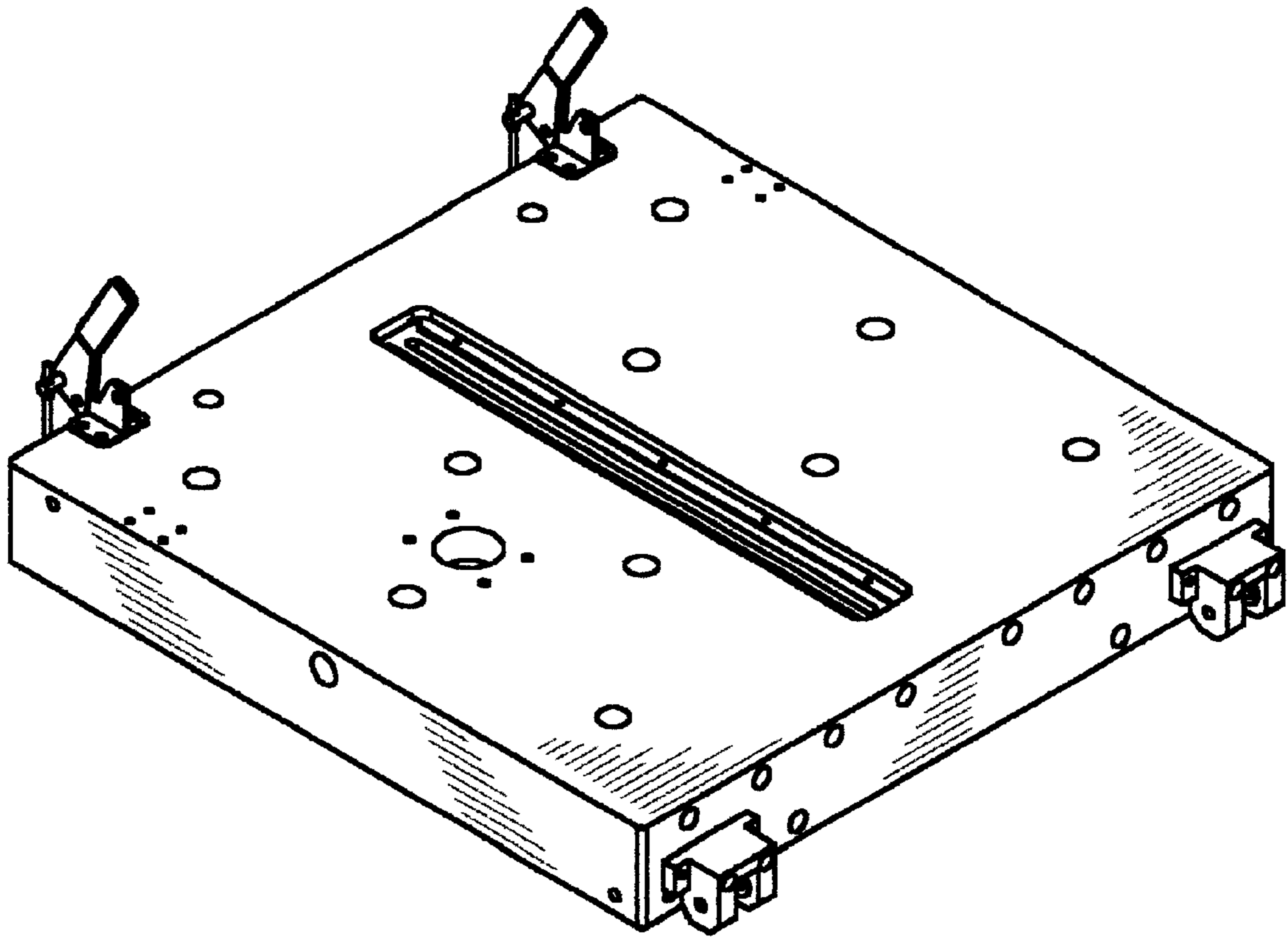


FIG. 11

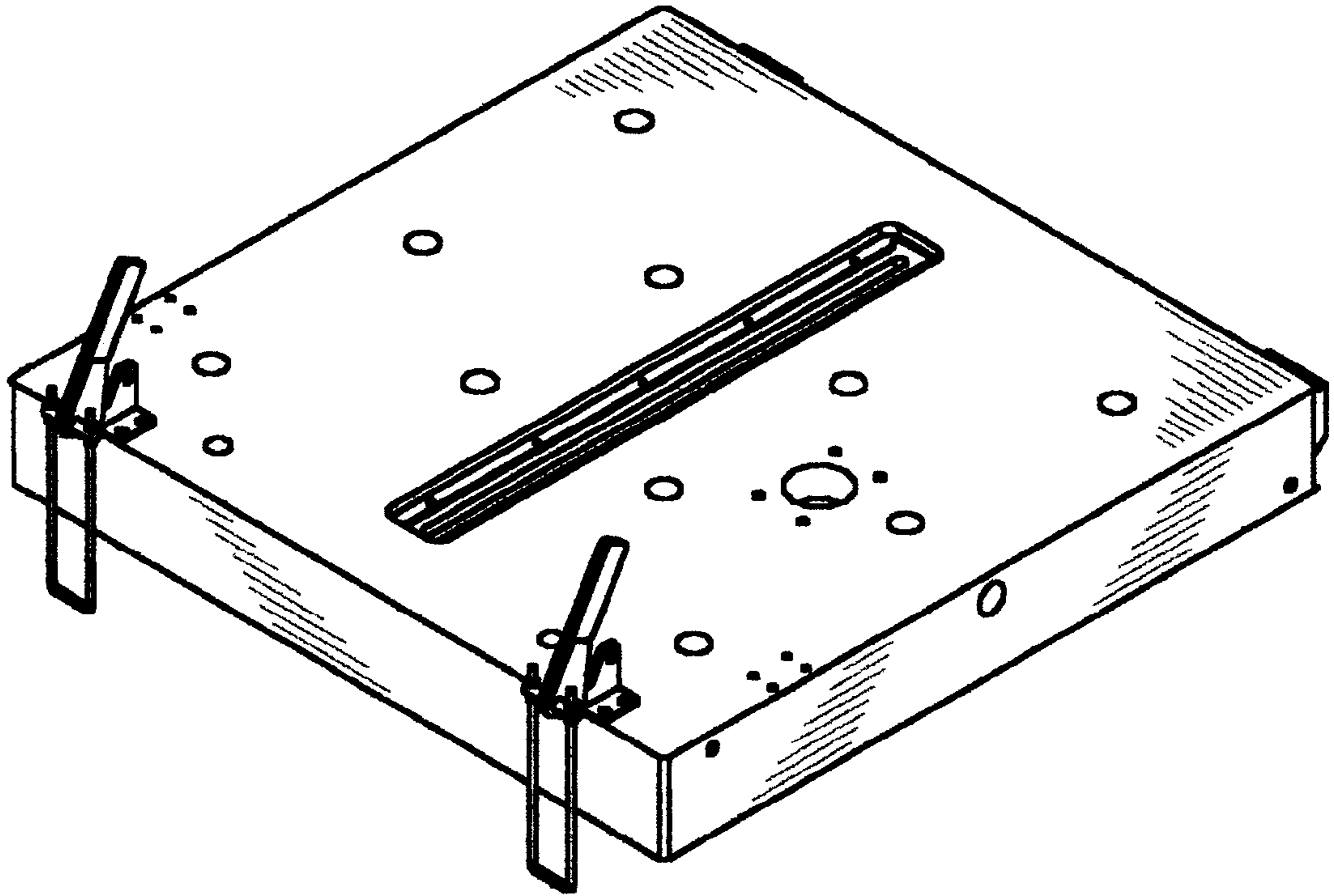


FIG. 12

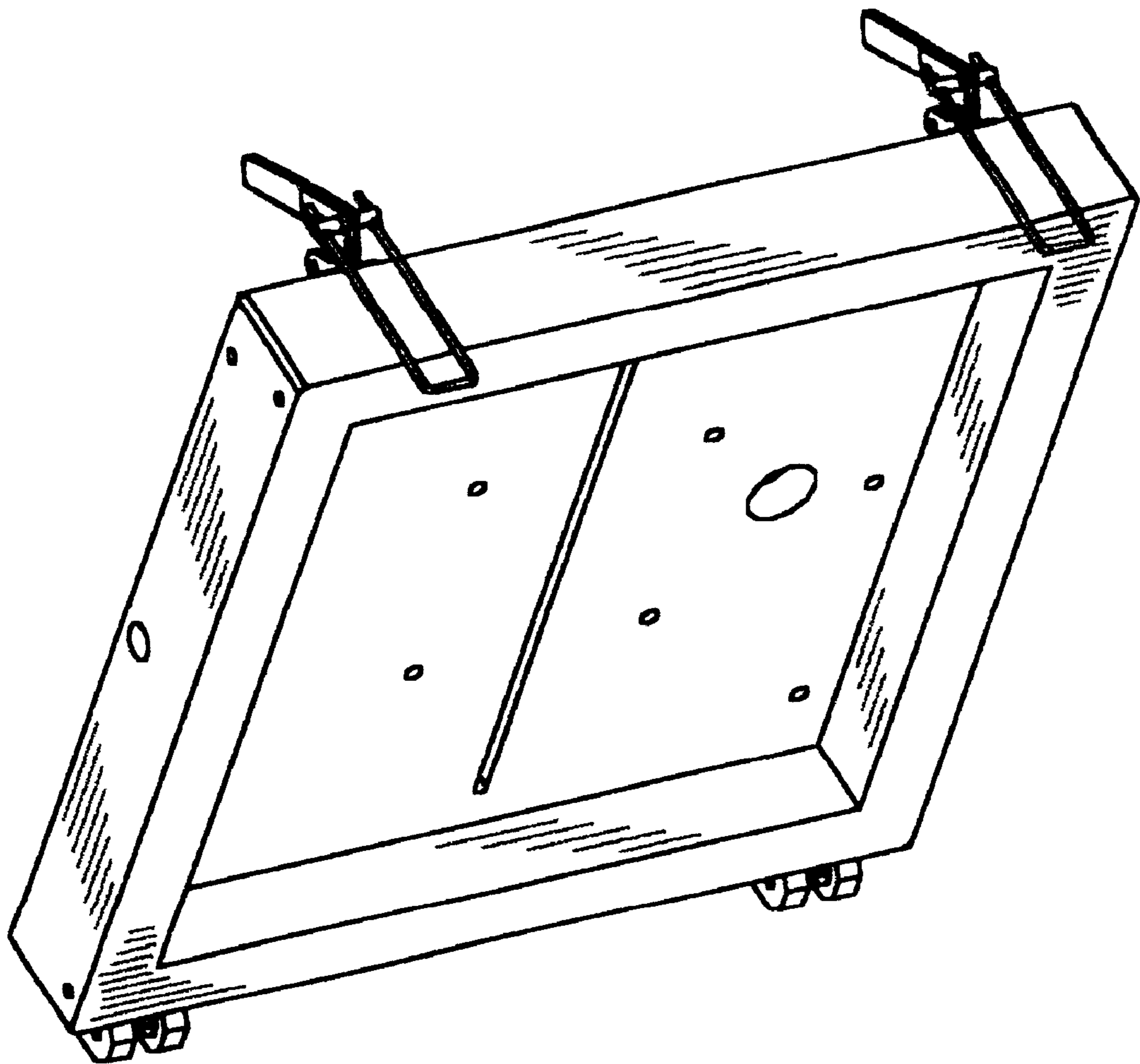


FIG. 13

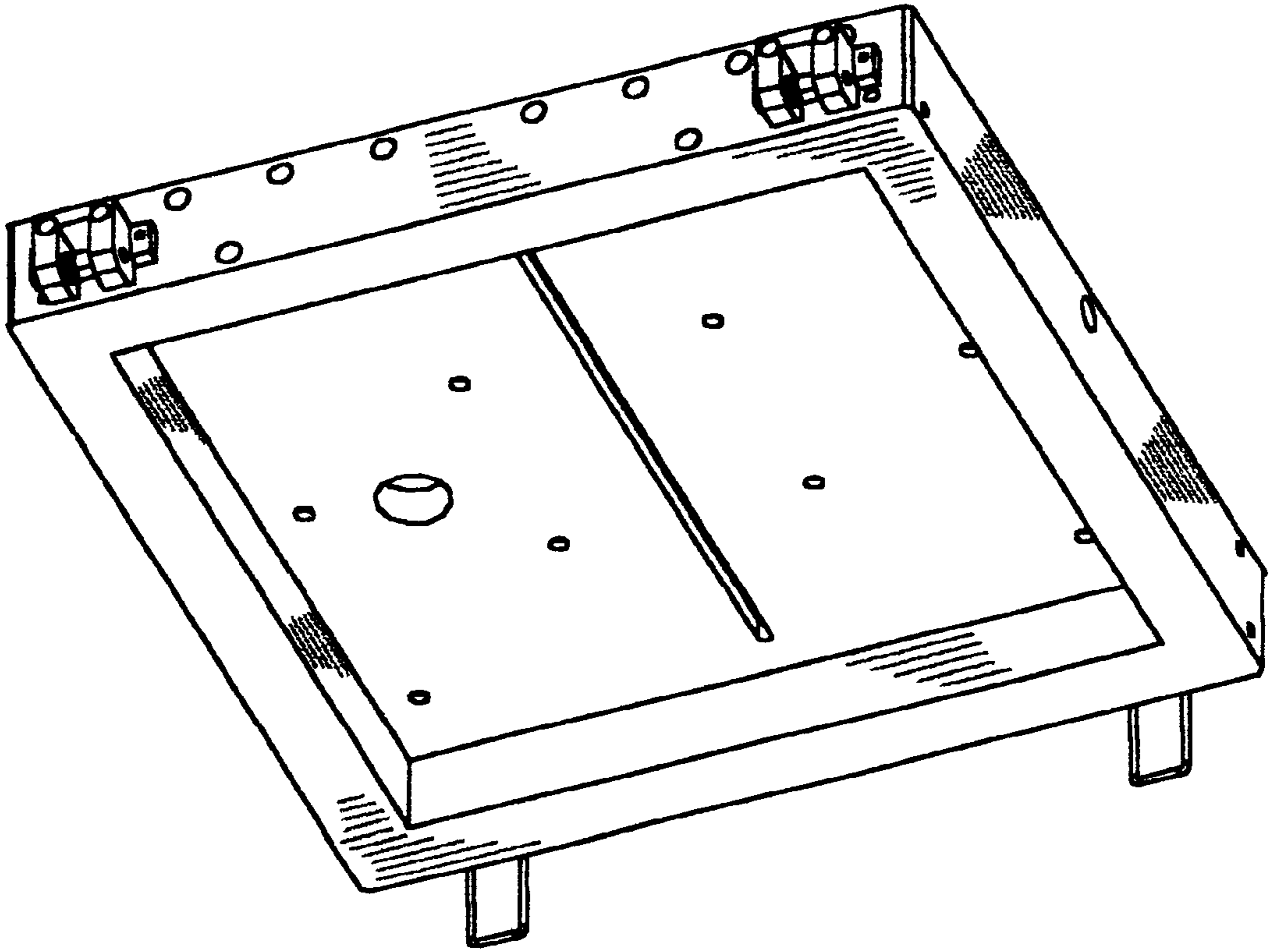


FIG. 14