



US00D449996B1

(12) **United States Design Patent**  
**DiTullo et al.**

(10) **Patent No.:** **US D449,996 S**

(45) **Date of Patent:** **\*\* Nov. 6, 2001**

(54) **WATCH CASING AND BEZEL**

(75) Inventors: **Michael DiTullo**, Waterbury; **Karl Vanderbeek**, New Haven; **Janet G. Brzezinski**, Southbury, all of CT (US)

(73) Assignee: **Timex Group B.V.** (NL)

(\*\*) Term: **14 Years**

(21) Appl. No.: **29/120,208**

(22) Filed: **Mar. 15, 2000**

(51) **LOC (7) Cl.** ..... **10-02**

(52) **U.S. Cl.** ..... **D10/30**

(58) **Field of Search** ..... D10/1-40, 122-132;  
368/280-282, 276-277, 28-30, 285, 239-242,  
82-84, 41-44

(56) **References Cited**

**U.S. PATENT DOCUMENTS**

- D. 333,987 \* 3/1993 Sugibayashi ..... D10/30
- D. 394,391 5/1998 Bruce et al. .
- D. 394,392 5/1998 Bruce et al. .
- D. 394,394 5/1998 Bruce et al. .
- D. 394,395 5/1998 Bruce et al. .
- D. 399,759 10/1998 Kennedy .
- D. 407,331 \* 3/1999 Moriai ..... D10/30
- D. 407,333 \* 3/1999 Akagi ..... D10/30
- D. 409,501 5/1999 Riley .

- D. 409,923 5/1999 Riley .
- D. 415,693 10/1999 Kennedy .
- D. 426,471 \* 6/2000 Ohshita ..... D10/30

**OTHER PUBLICATIONS**

Promotional material for EVO Design.

\* cited by examiner

*Primary Examiner*—Nelson C. Holtje

(74) *Attorney, Agent, or Firm*—Carmody & Torrance LLP

(57) **CLAIM**

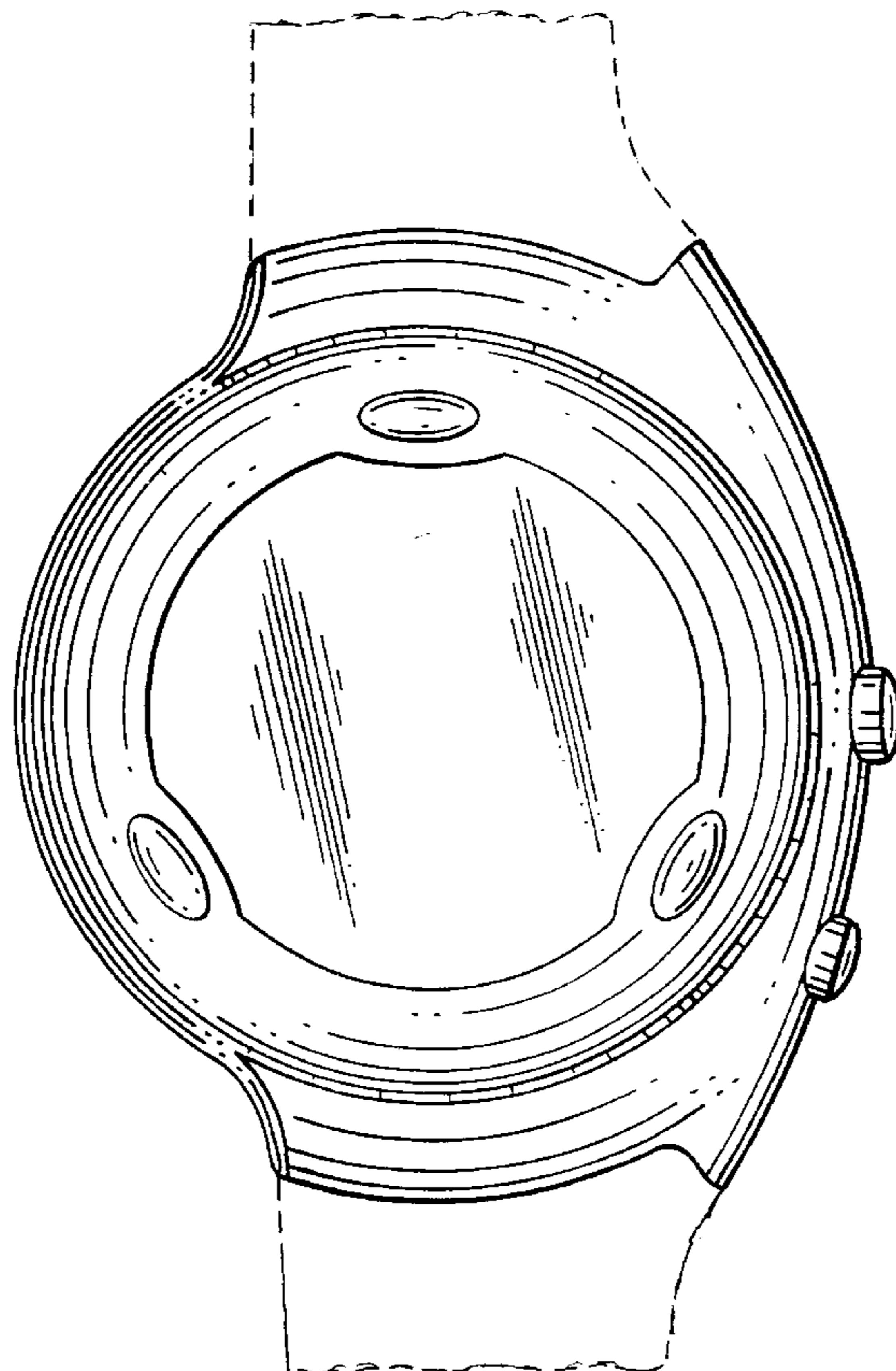
The ornamental design for a “watch casing and bezel”, as shown and described.

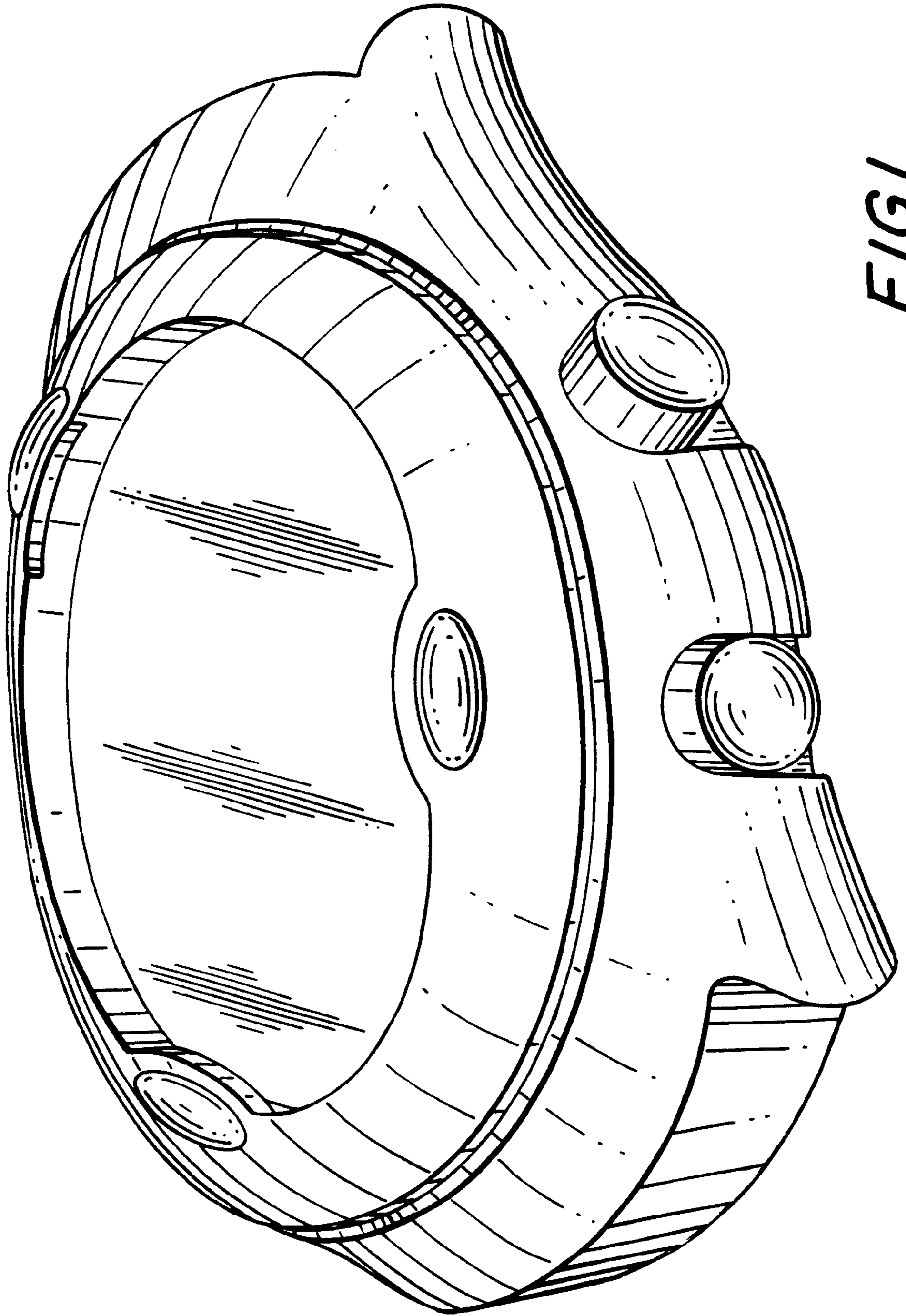
**DESCRIPTION**

FIG. 1 is a perspective view of a watch casing and bezel showing our new design;  
 FIG. 2 is a left side elevational view thereof;  
 FIG. 3 is a top plan view thereof;  
 FIG. 4 is a right side elevational view thereof;  
 FIG. 5 is a first end elevational view thereof;  
 FIG. 6 is a second end elevational view thereof; and,  
 FIG. 7 is a bottom plan view.

The broken line showings of a watch band in FIG. 3 are for environmental purposes and form no part of the claimed design.

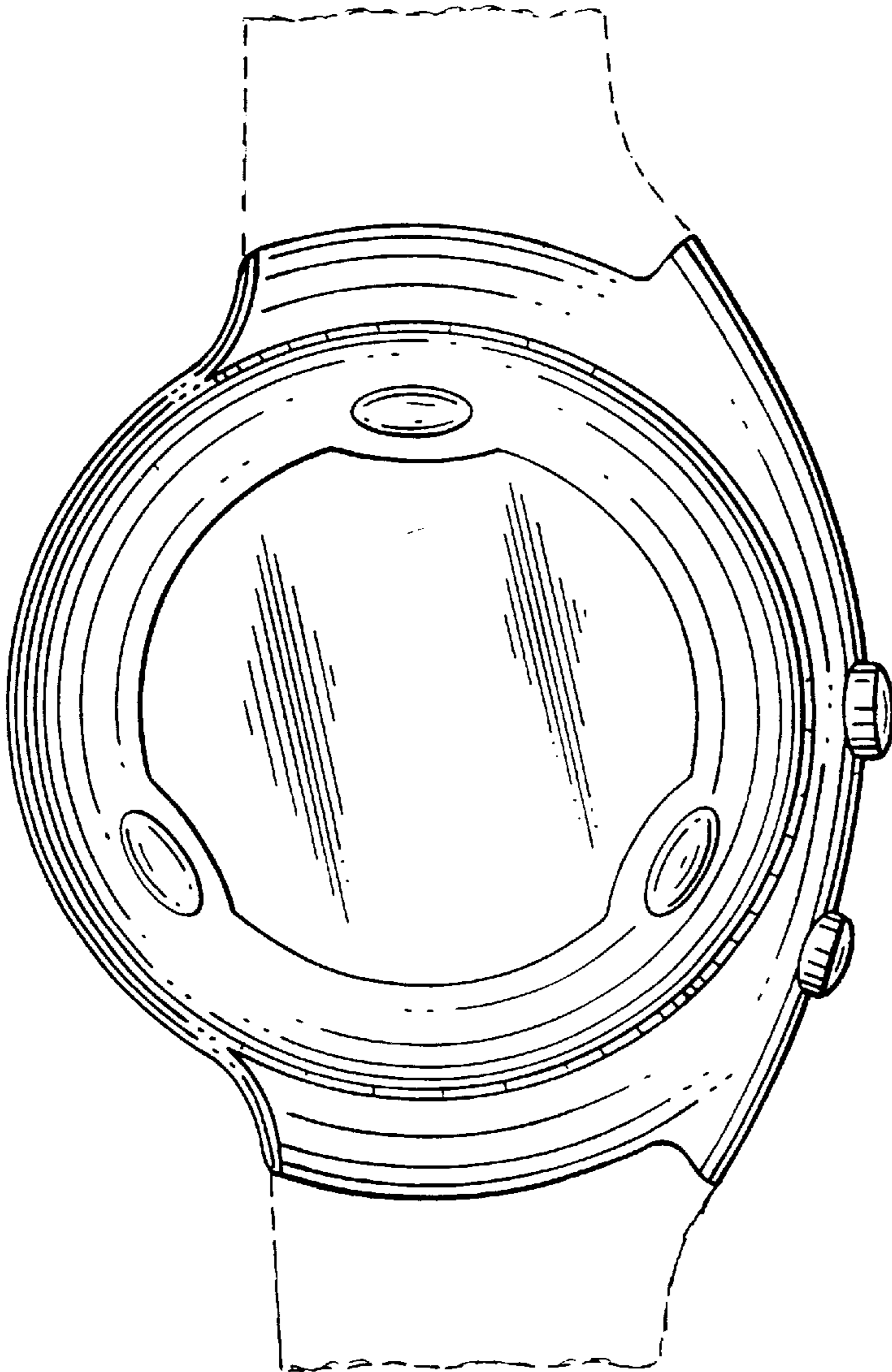
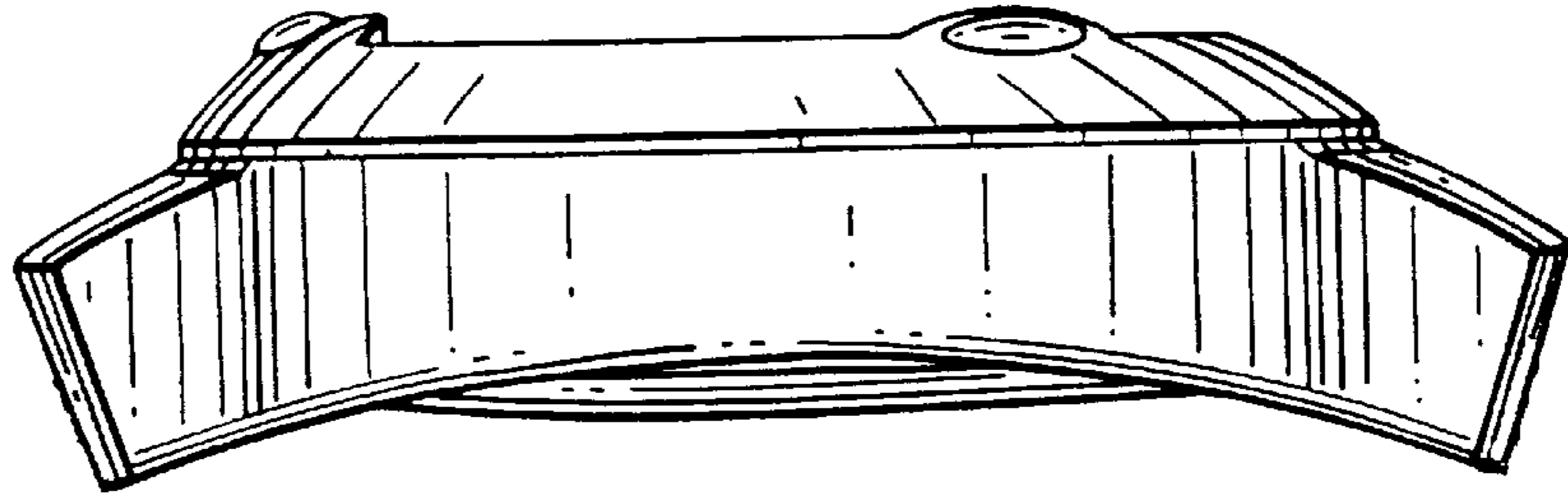
**1 Claim, 3 Drawing Sheets**





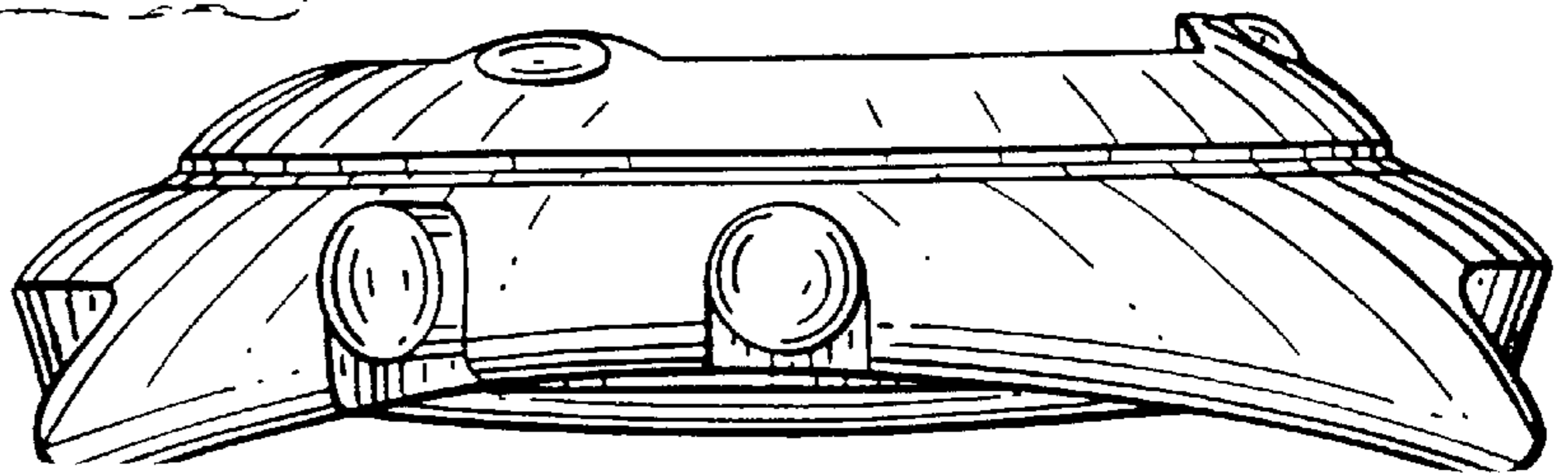
*FIG. 1*

*FIG. 2*

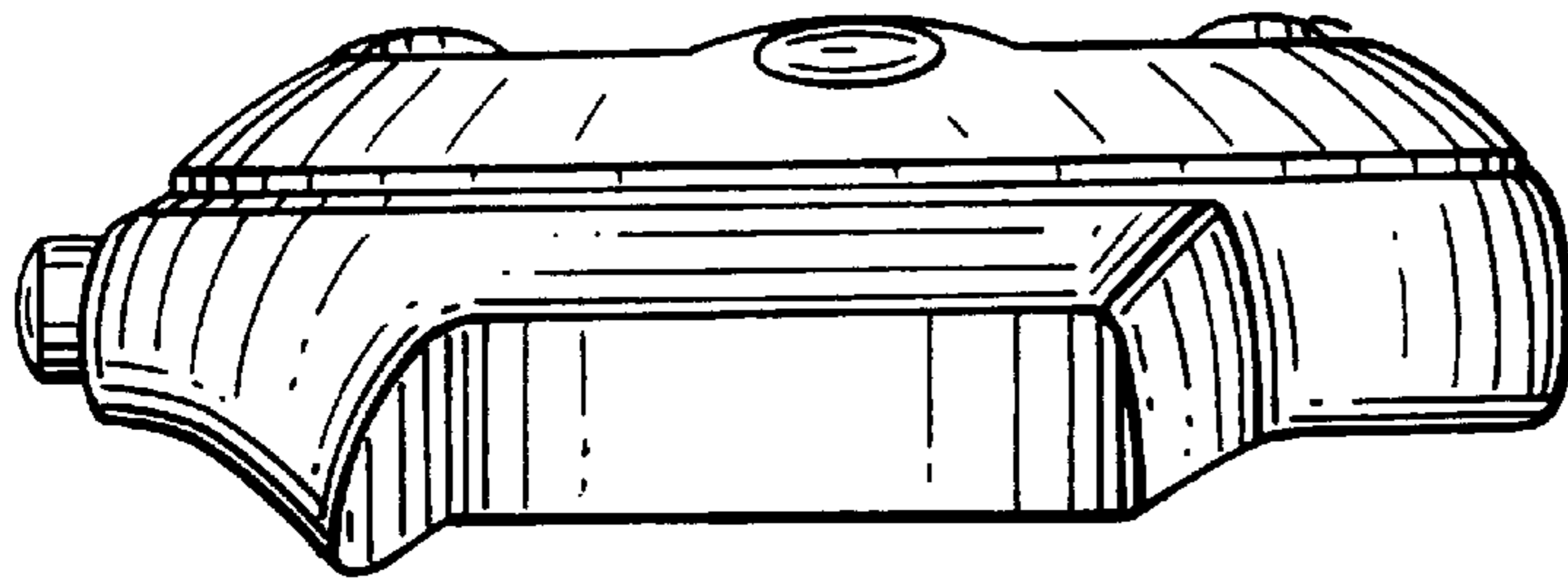
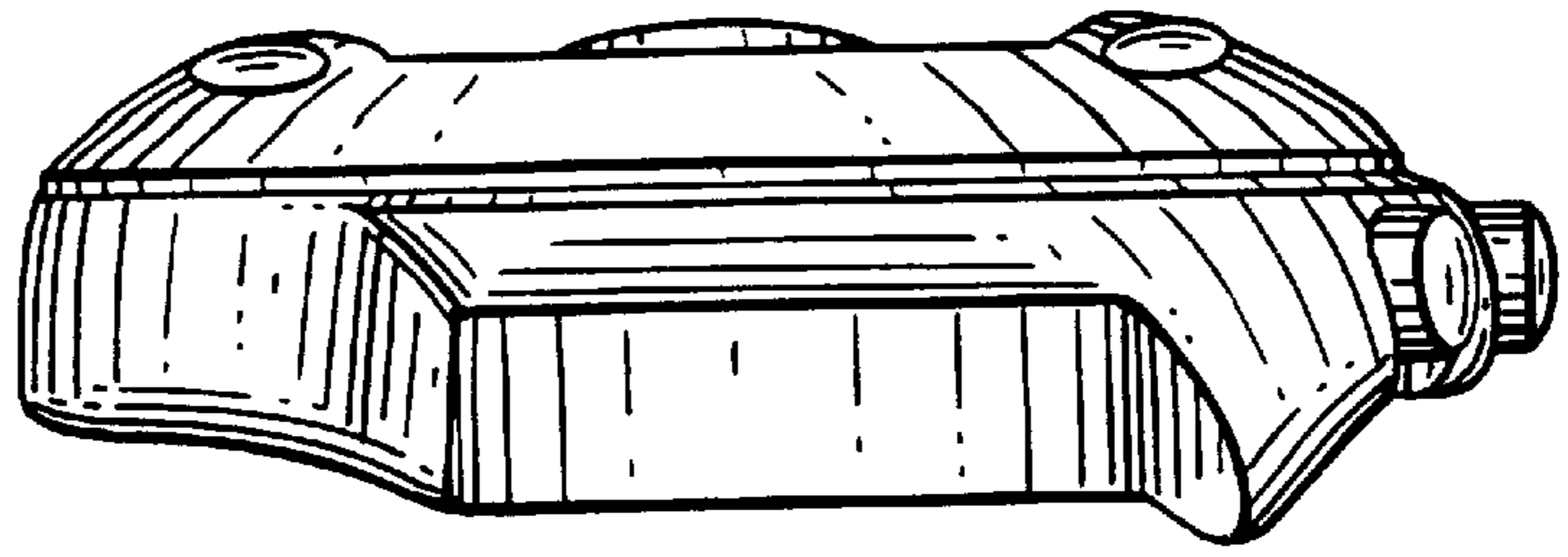


*FIG. 3*

*FIG. 4*



*FIG. 5*



*FIG. 6*

*FIG. 7*

