



US00D449988B1

(12) **United States Design Patent**
Keung

(10) **Patent No.:** **US D449,988 S**

(45) **Date of Patent:** **** Nov. 6, 2001**

- (54) **NOZZLE**
- (75) Inventor: **Wing-Kwong Keung**, Perrysburg, OH (US)
- (73) Assignee: **Owens-Illinois Closure Inc.**, Toledo, OH (US)
- (**) Term: **14 Years**
- (21) Appl. No.: **29/089,011**
- (22) Filed: **Jun. 5, 1998**
- (51) **LOC (7) Cl.** **09-07**
- (52) **U.S. Cl.** **D9/448**
- (58) **Field of Search** D9/434, 448, 300; 222/153.1, 153.11, 153.12, 153.13, 153.14, 383.1, 383.2, 383.3, 384, 385

- 5,626,259 * 5/1997 Maas et al. 222/136
- 5,662,246 * 9/1997 Contaxis, III 222/153.07
- 5,664,732 9/1997 Smolen, Jr. et al. .
- 5,687,877 11/1997 Smolen, Jr. .
- 5,749,501 * 5/1998 Maas et al. 222/384
- 6,186,366 * 2/2001 Good et al. 222/153.14

FOREIGN PATENT DOCUMENTS

2171615 9/1986 (GB) .

* cited by examiner

Primary Examiner—Cathron C. Brooks

(57) **CLAIM**

The ornamental design for a nozzle, as shown and described.

DESCRIPTION

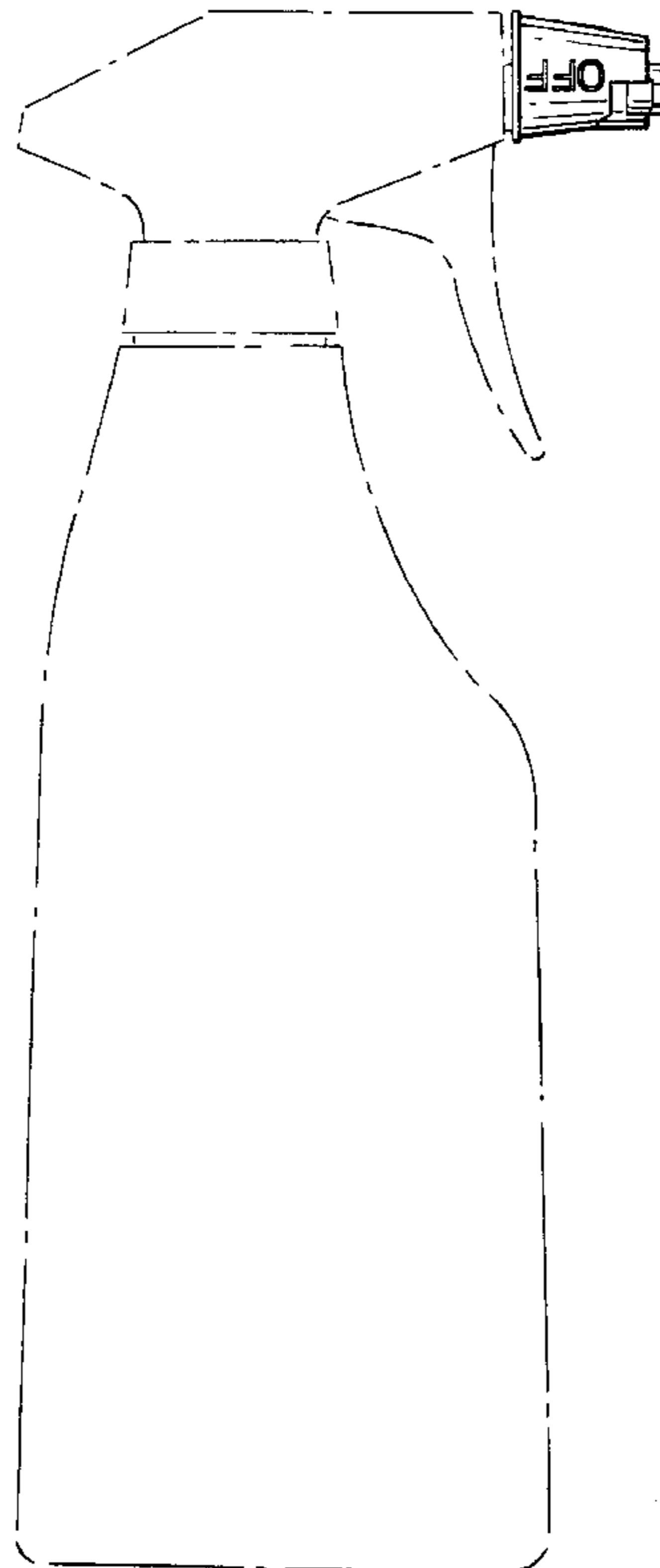
FIG. 1 is a left side elevational view of a nozzle showing my new design;
 FIG. 2 is a greatly enlarged view of the nozzle of FIG. 1;
 FIG. 3 is a top plan view of the nozzle of FIG. 2;
 FIG. 4 is a front elevational view of FIG. 2;
 FIG. 5 is a rear elevational view of FIG. 2;
 FIG. 6 is a right side elevational view of FIG. 2; and,
 FIG. 7 is a bottom plan view of FIG. 2.
 The broken line showing of a container and of internal nozzle elements is for illustrative purposes only and forms no part of the claimed design.

(56) **References Cited**

U.S. PATENT DOCUMENTS

- D. 418,755 * 1/2000 Durliat D9/448
- D. 437,225 * 2/2001 Keung D9/448
- 3,843,030 * 10/1974 Micallef 222/554
- 4,082,223 4/1978 Nozawa .
- 4,257,561 3/1981 McKinney .
- 4,598,862 7/1986 Rice .
- 4,767,060 8/1988 Shay et al. .
- 4,768,717 9/1988 Shay .
- 5,161,716 * 11/1992 Knickerbocker 222/153.1
- 5,467,900 * 11/1995 Maas et al. 222/341

1 Claim, 3 Drawing Sheets



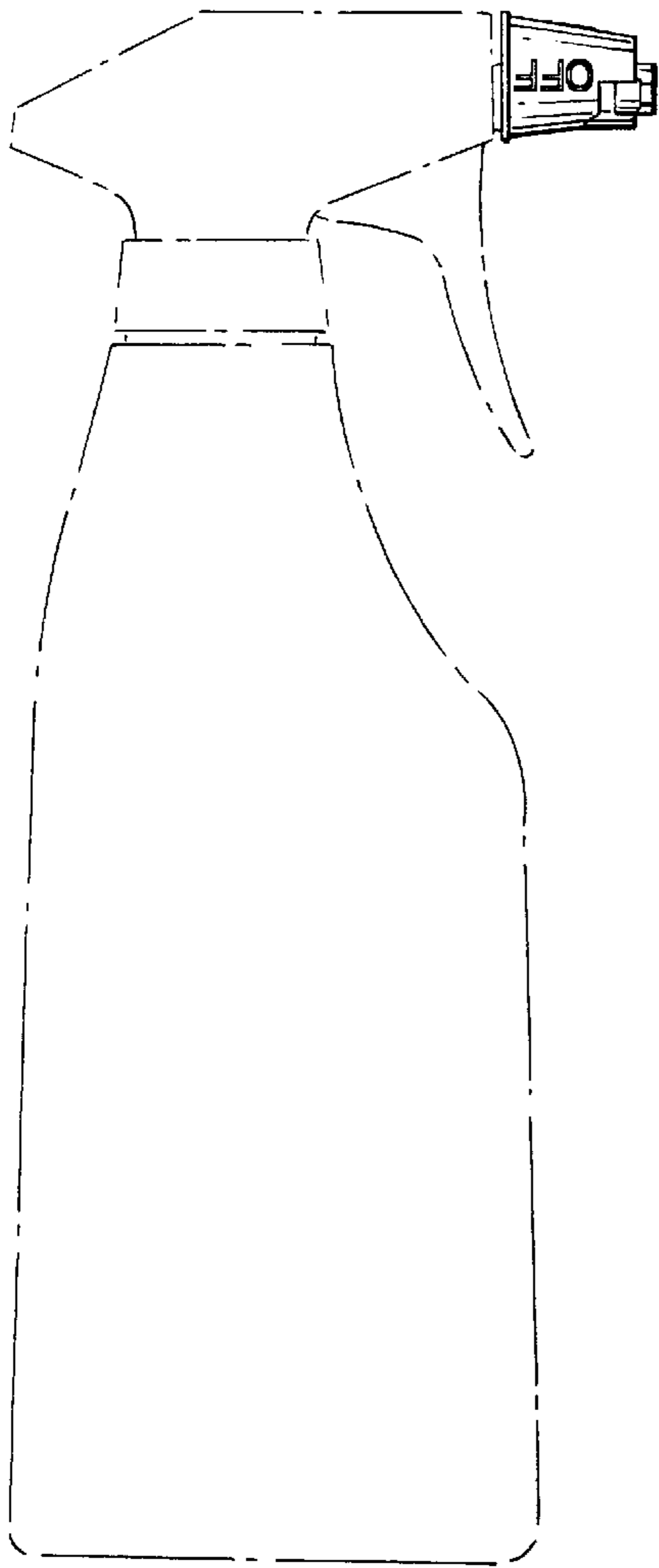


FIG. 1

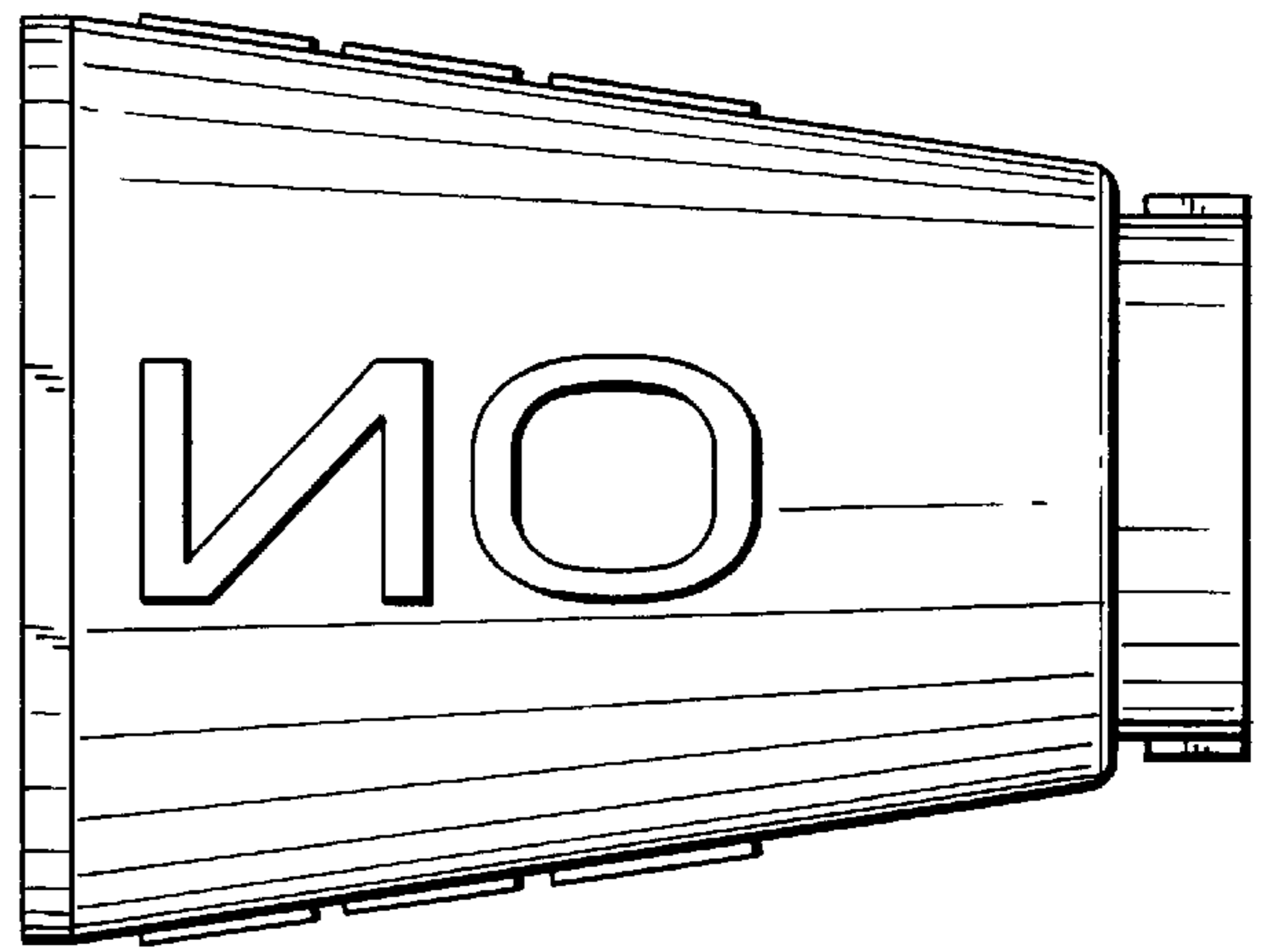


FIG. 3

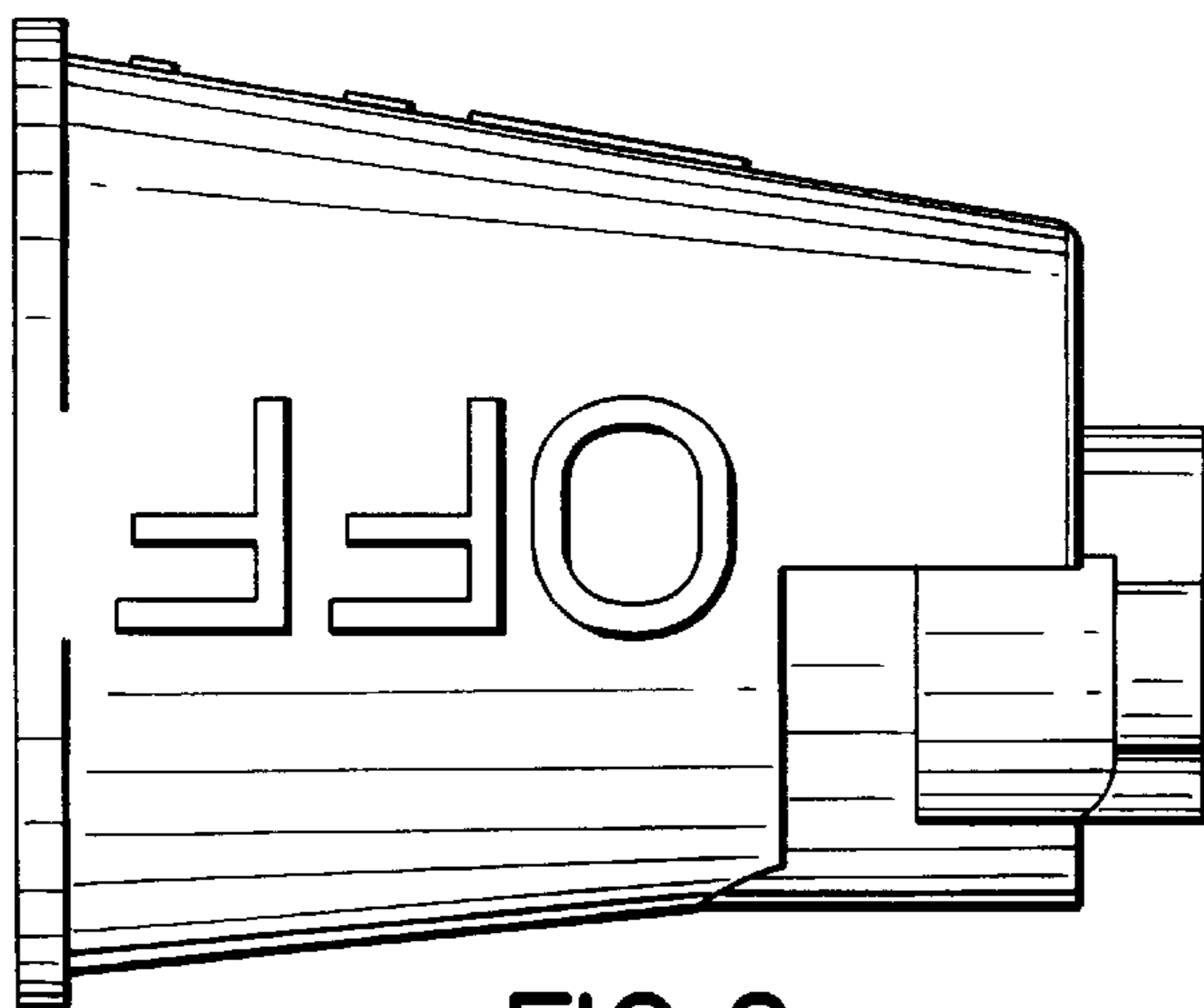


FIG. 2

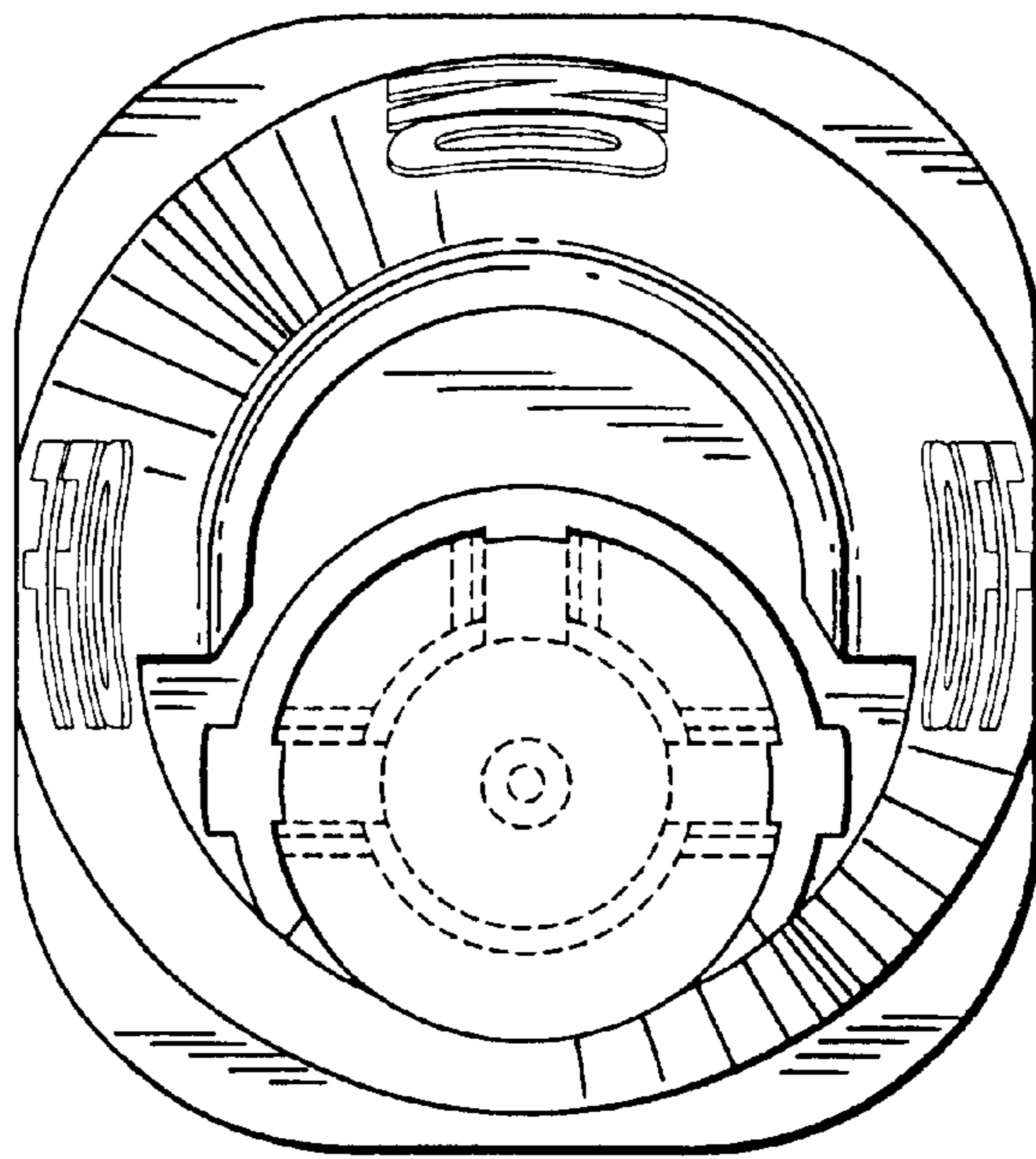


FIG. 4

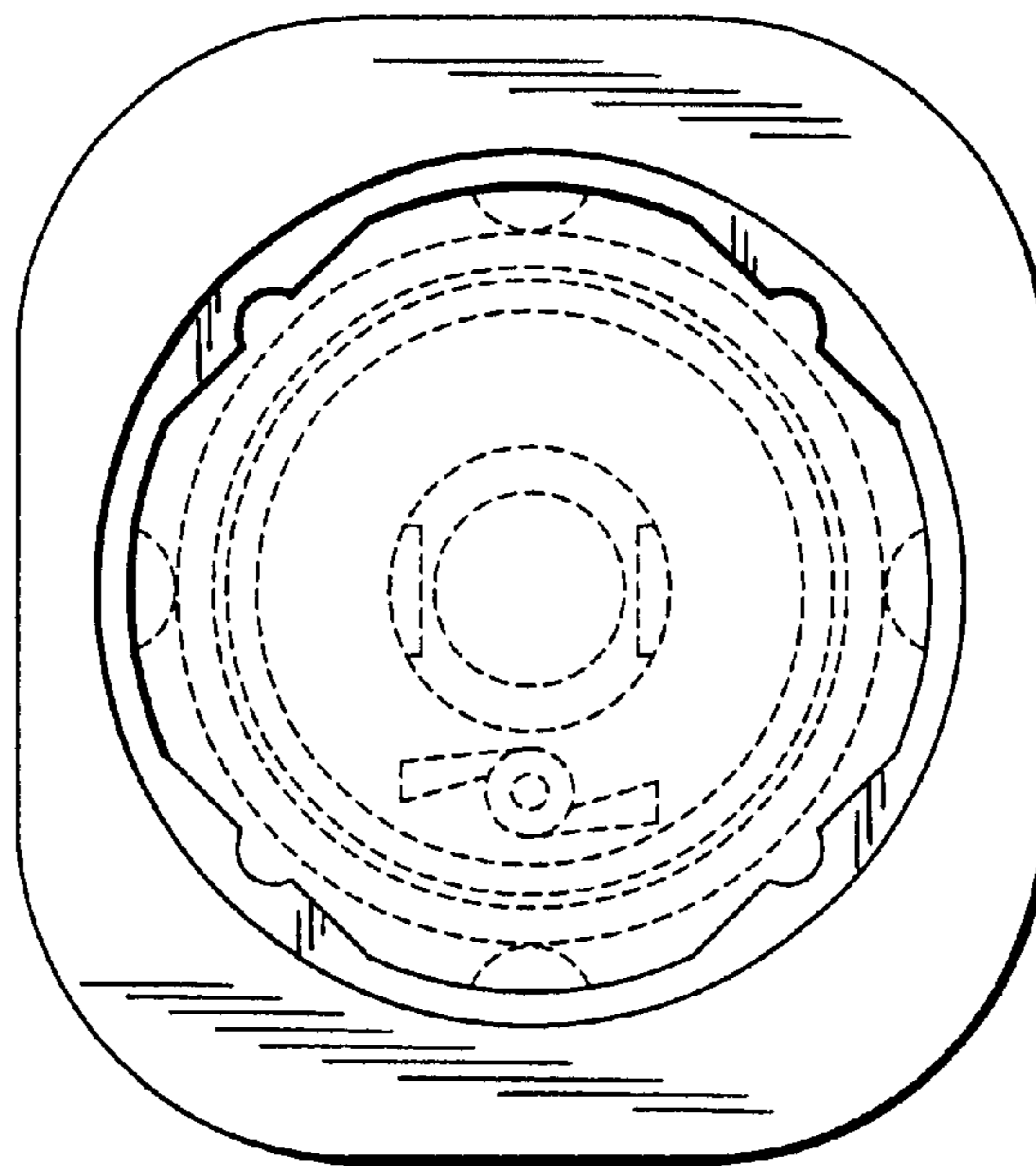


FIG. 5

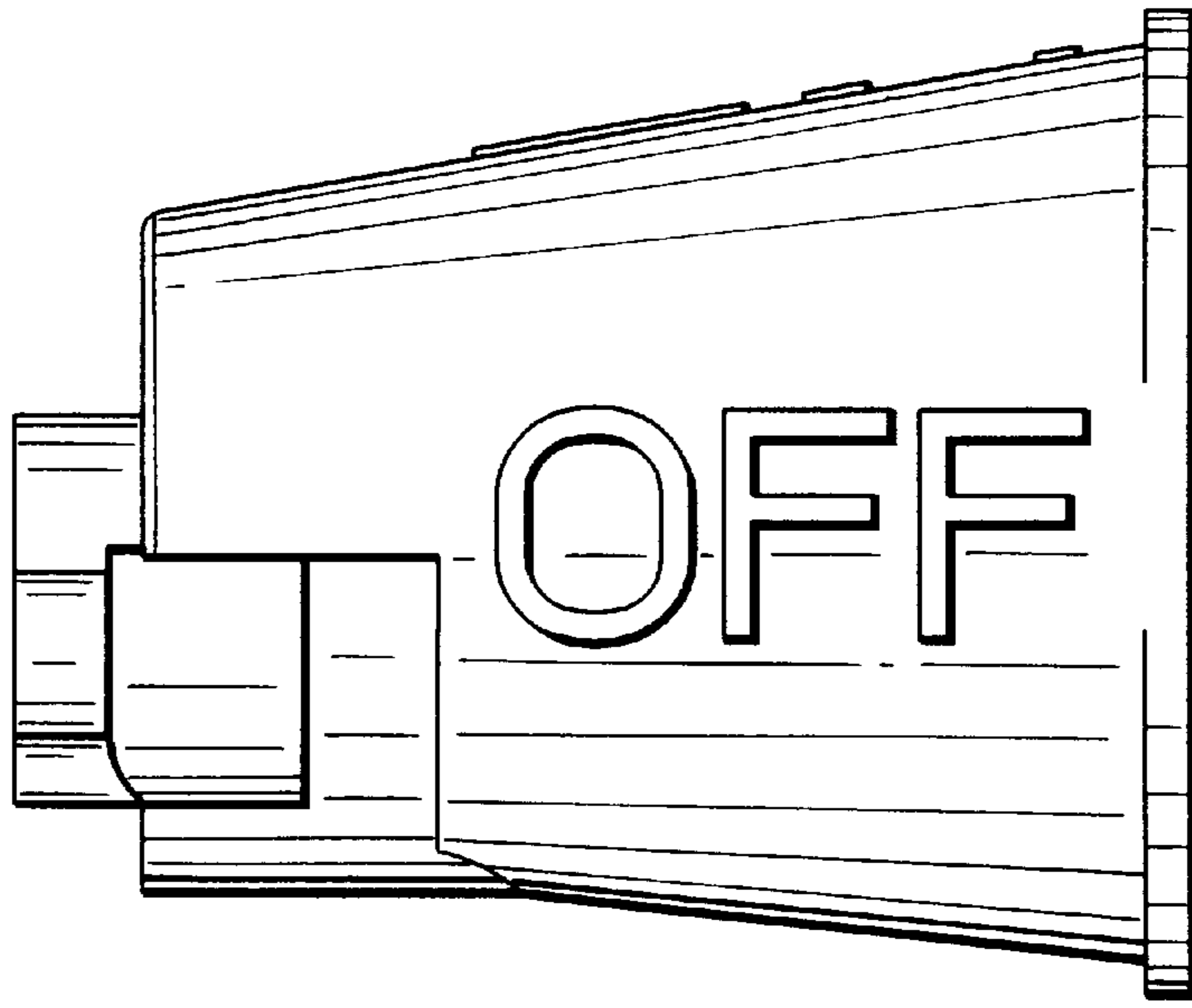


FIG. 6

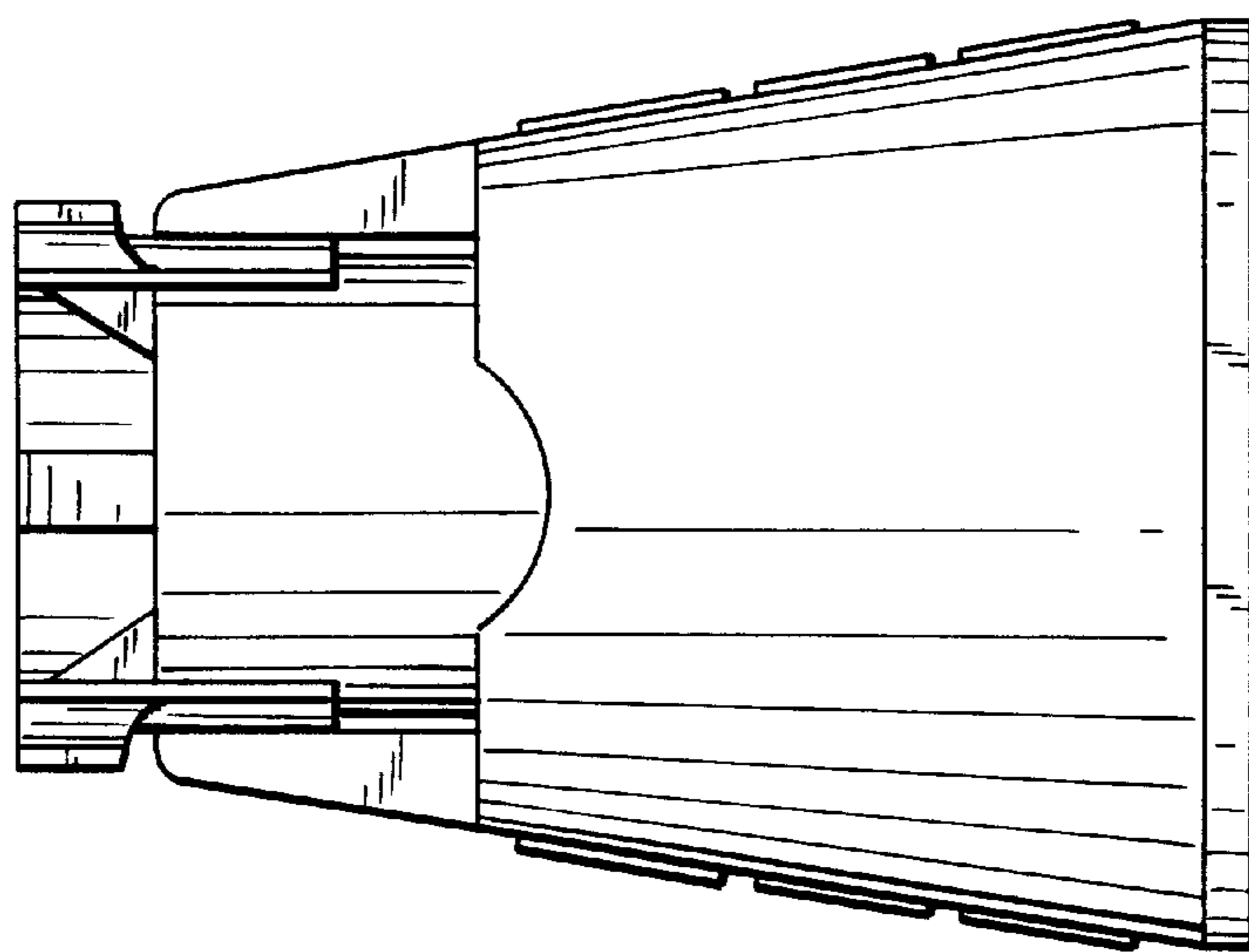


FIG. 7