



US00D449987B1

(12) **United States Design Patent**
Owens

(10) **Patent No.:** **US D449,987 S**

(45) **Date of Patent:** **** Nov. 6, 2001**

(54) **DISPENSER/SPREADER CAP**

(76) **Inventor:** **Richard L. Owens**, 3213 Woodhaven Ct., Conyers, GA (US) 30094

(**) **Term:** **14 Years**

(21) **Appl. No.:** **29/137,839**

(22) **Filed:** **Feb. 28, 2001**

(51) **LOC (7) Cl.** **09-07**

(52) **U.S. Cl.** **D9/436; D9/447**

(58) **Field of Search** D9/434, 435, 436, D9/447, 449, 450; D32/42, 46; 215/228; 220/212; 222/566, 568; 401/137, 139, 263, 266

(56) **References Cited**

U.S. PATENT DOCUMENTS

D. 183,172	7/1958	Kruskopf .	
D. 195,539	* 6/1963	Williams	D23/213
D. 288,780	3/1987	Miller .	
D. 293,034	12/1987	DuCret .	
D. 317,987	7/1991	Demarest .	
D. 328,708	* 8/1992	Kanthak	D9/448
D. 356,259	3/1995	Hoyt .	
708,709	9/1902	Henneberry et al. .	
2,197,579	4/1940	Hooper .	
2,624,901	1/1953	Wiley .	
2,772,432	12/1956	Andreola .	
2,804,767	9/1957	Schoen .	
2,864,108	12/1958	Johnson .	
2,930,061	3/1960	O’Niel .	
2,943,338	7/1960	Lowen .	
2,982,987	5/1961	Knapp .	
3,090,071	5/1963	Brooy .	
3,482,920	12/1969	Schwartzmane .	
3,782,600	1/1974	Columbus .	

4,225,058	9/1980	Morton et al. .	
4,273,459	* 6/1981	Hardy	401/139
4,854,760	8/1989	Pike et al. .	
5,046,877	9/1991	Longo .	
5,415,488	5/1995	MacGibbon et al. .	
5,749,498	* 5/1998	Lavoie et al.	222/566 X
5,788,104	* 8/1998	Hoyt	401/266 X
5,797,692	* 8/1998	Poole et al.	401/266
5,873,666	* 2/1999	Bourke et al.	401/266 X
6,120,203	* 9/2000	Modders	401/266 X
6,223,380	* 5/2001	Klima et al.	401/139 X

* cited by examiner

Primary Examiner—Cathron C. Brooks

(74) *Attorney, Agent, or Firm*—Price Heneveld Cooper DeWitt & Litton

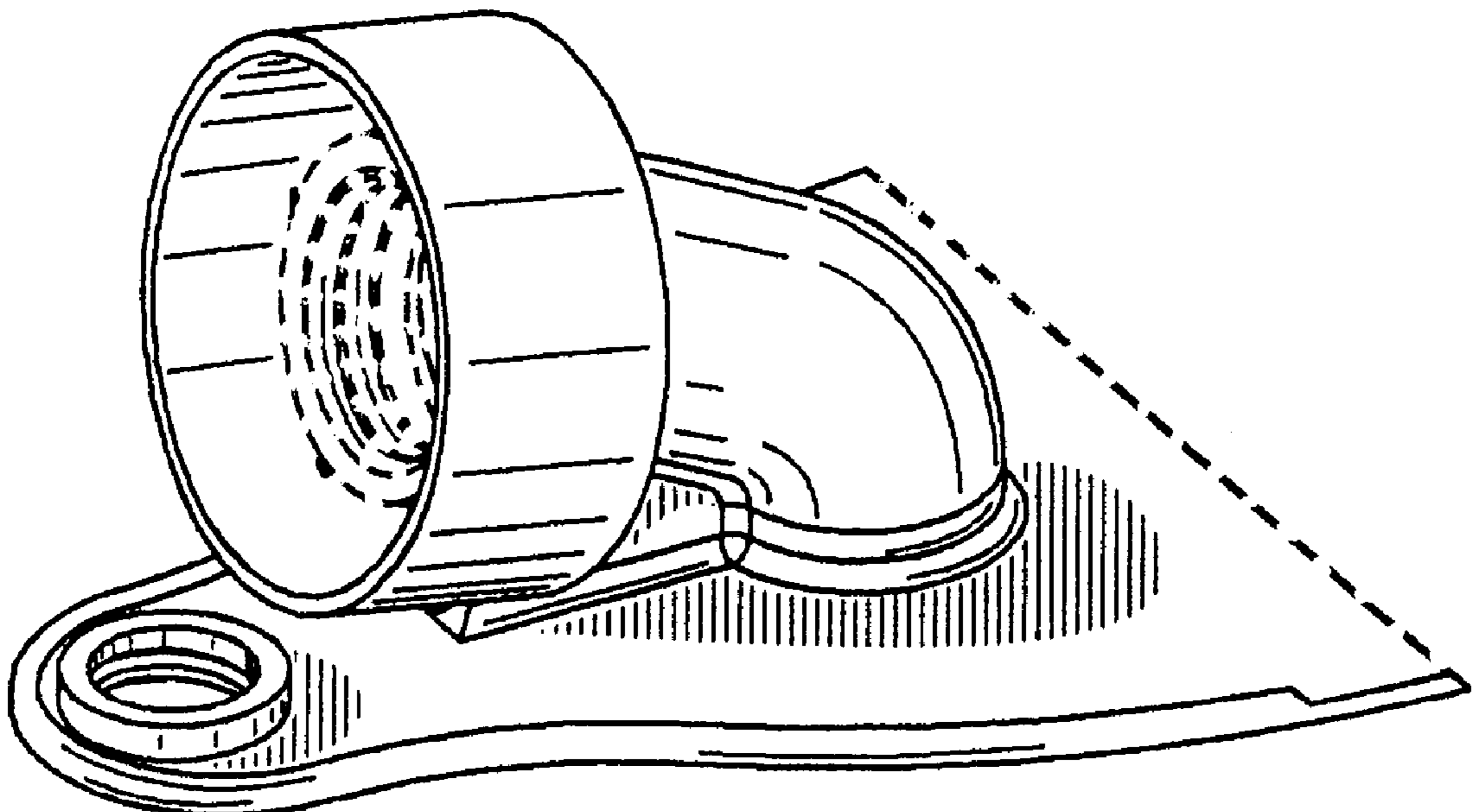
(57) **CLAIM**

The ornamental design for a dispenser/spreader cap, as shown and described.

DESCRIPTION

FIG. 1 is a top perspective view of a dispenser/spreader cap of the present invention;
 FIG. 2 is a front view thereof;
 FIG. 3 is a side view thereof, the opposing side being a mirror image thereof;
 FIG. 4 is a top view thereof;
 FIG. 5 is a bottom view thereof;
 FIG. 6 is a bottom perspective view thereof; and,
 FIGS. 7–10 are similar to FIGS. 1–6, but showing a second embodiment of the dispenser/spreader cap of FIGS. 1–6.
 The dashed lines in FIGS. 1–10 are to show the environment of the present invention but do not form a part of the claimed design.

1 Claim, 2 Drawing Sheets



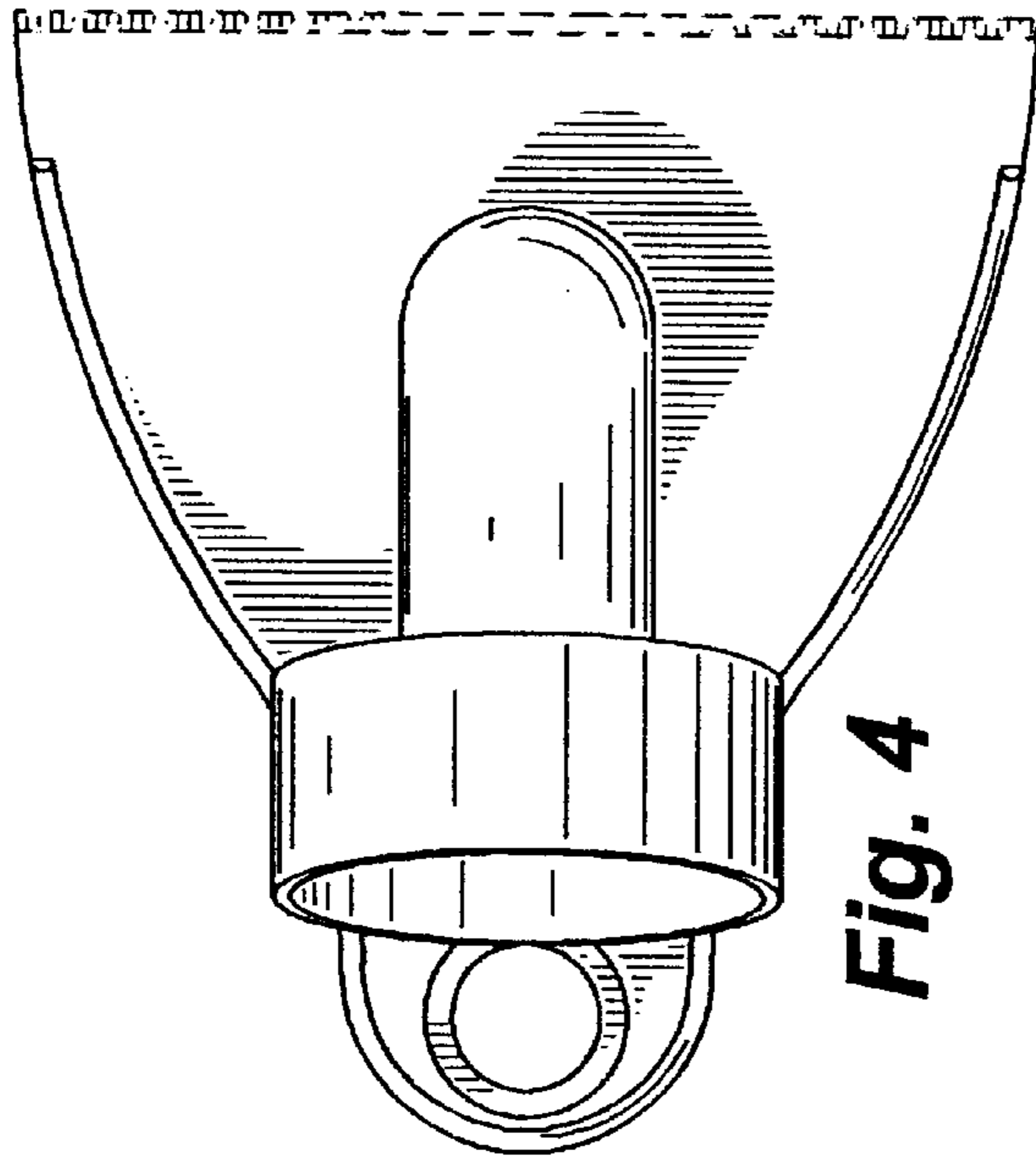


Fig. 4

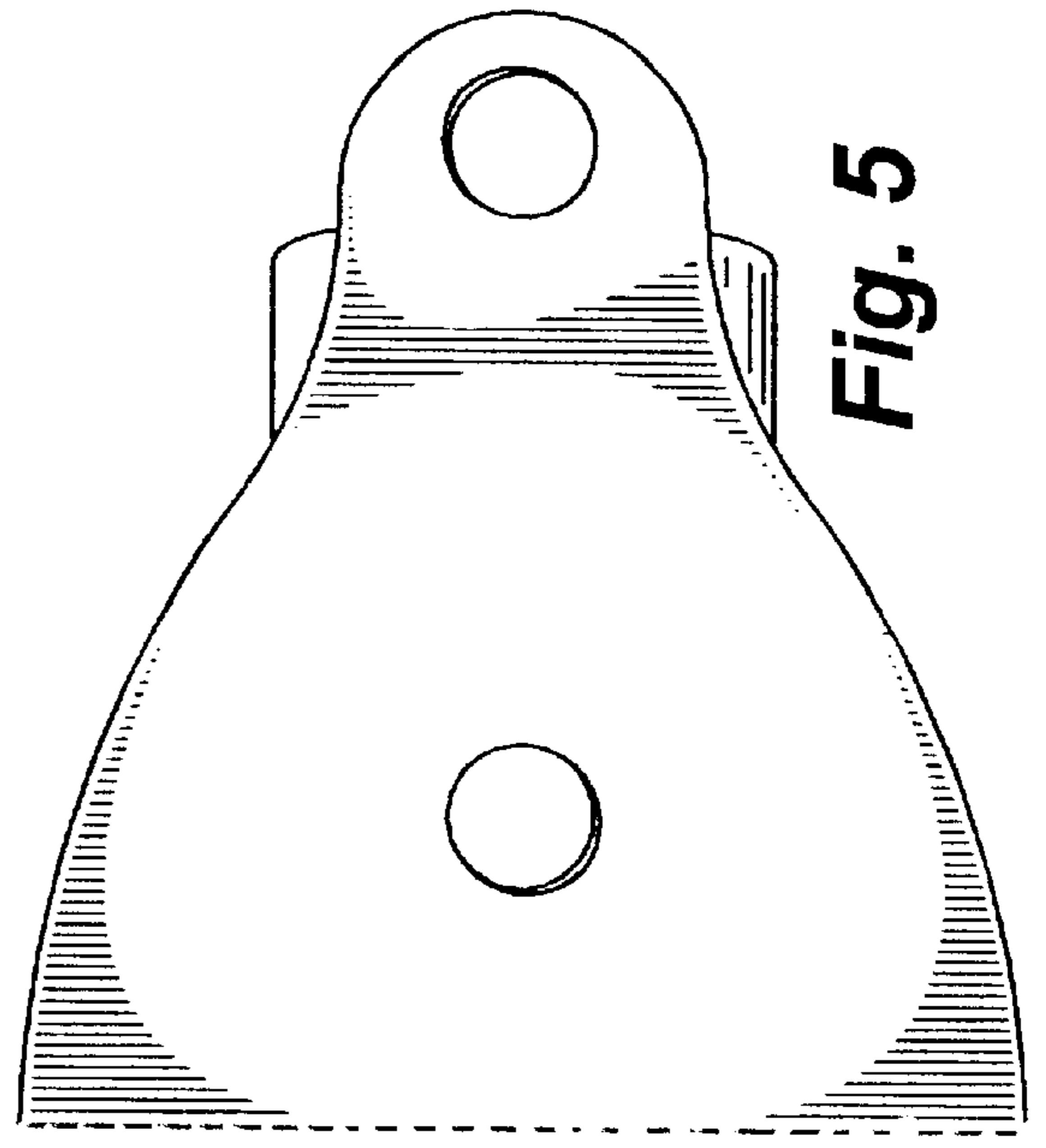


Fig. 5

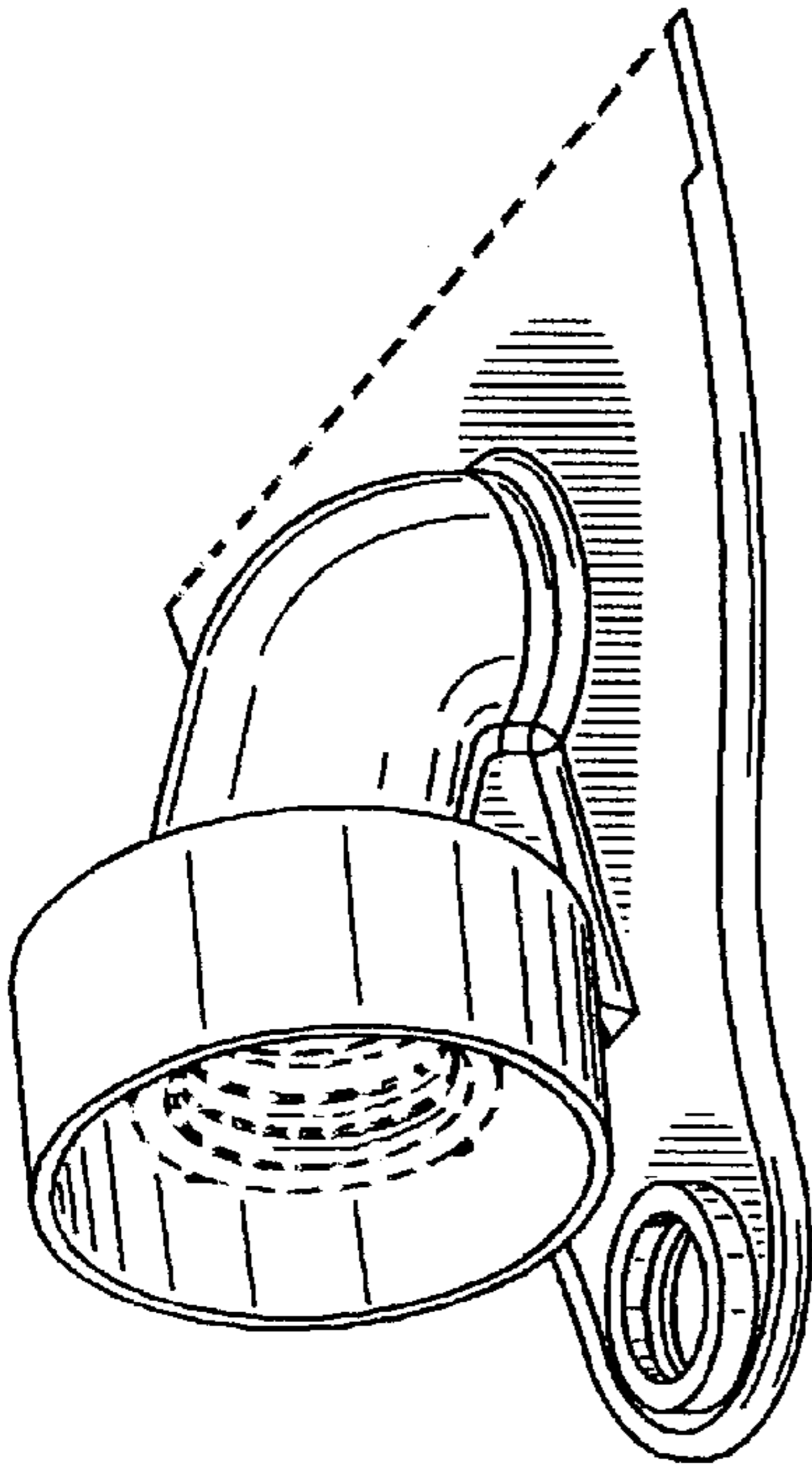


Fig. 1

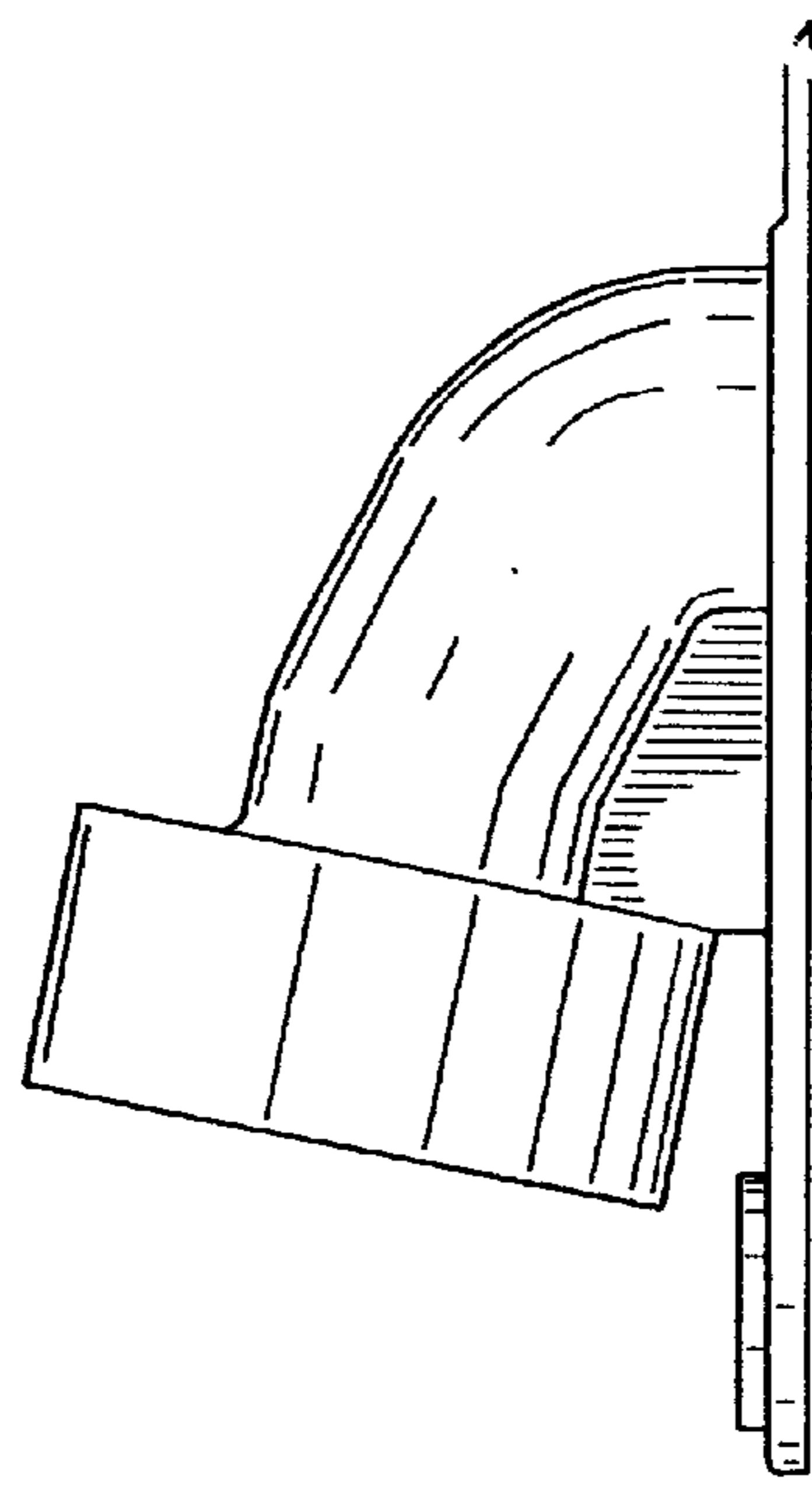


Fig. 3

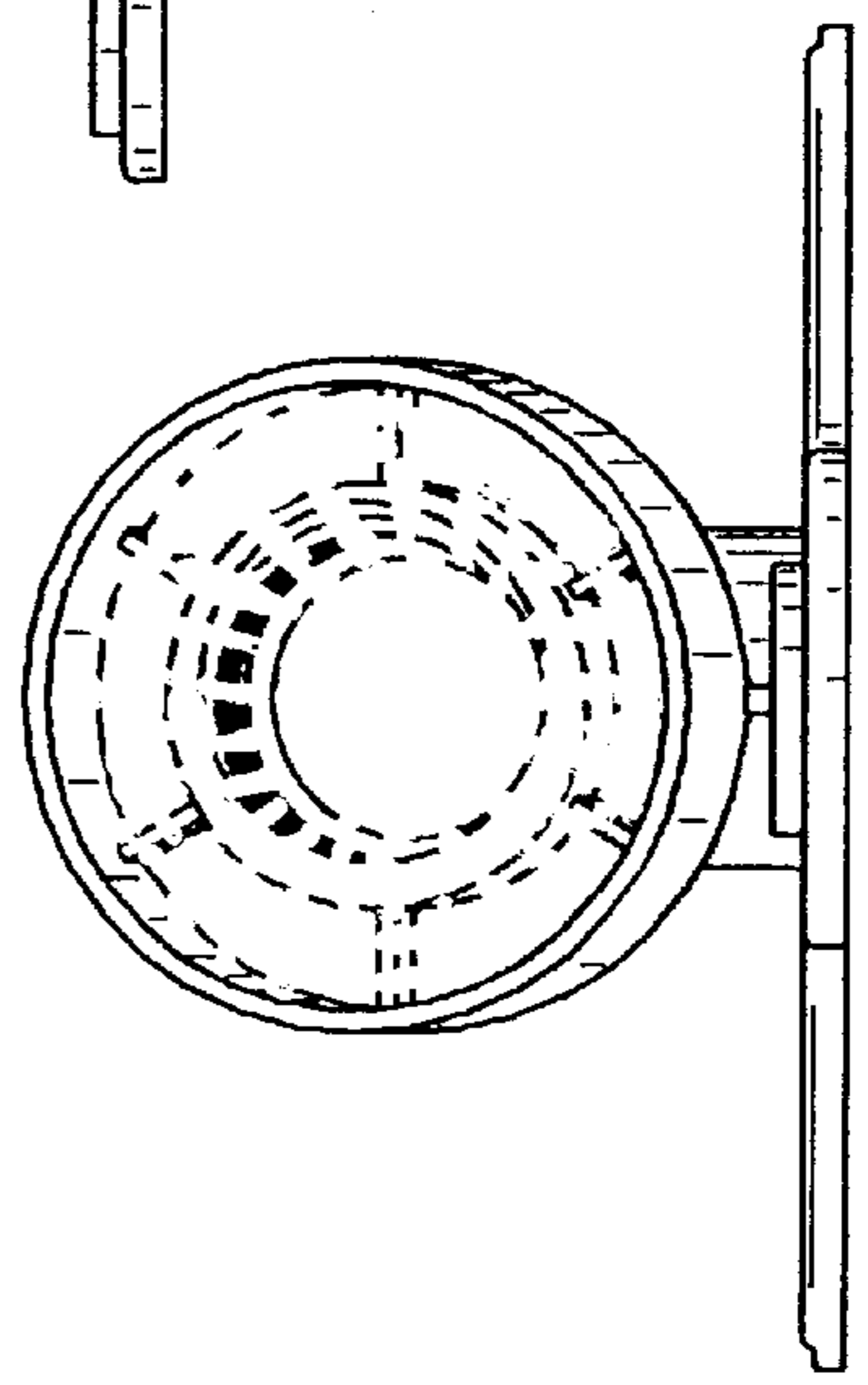


Fig. 2

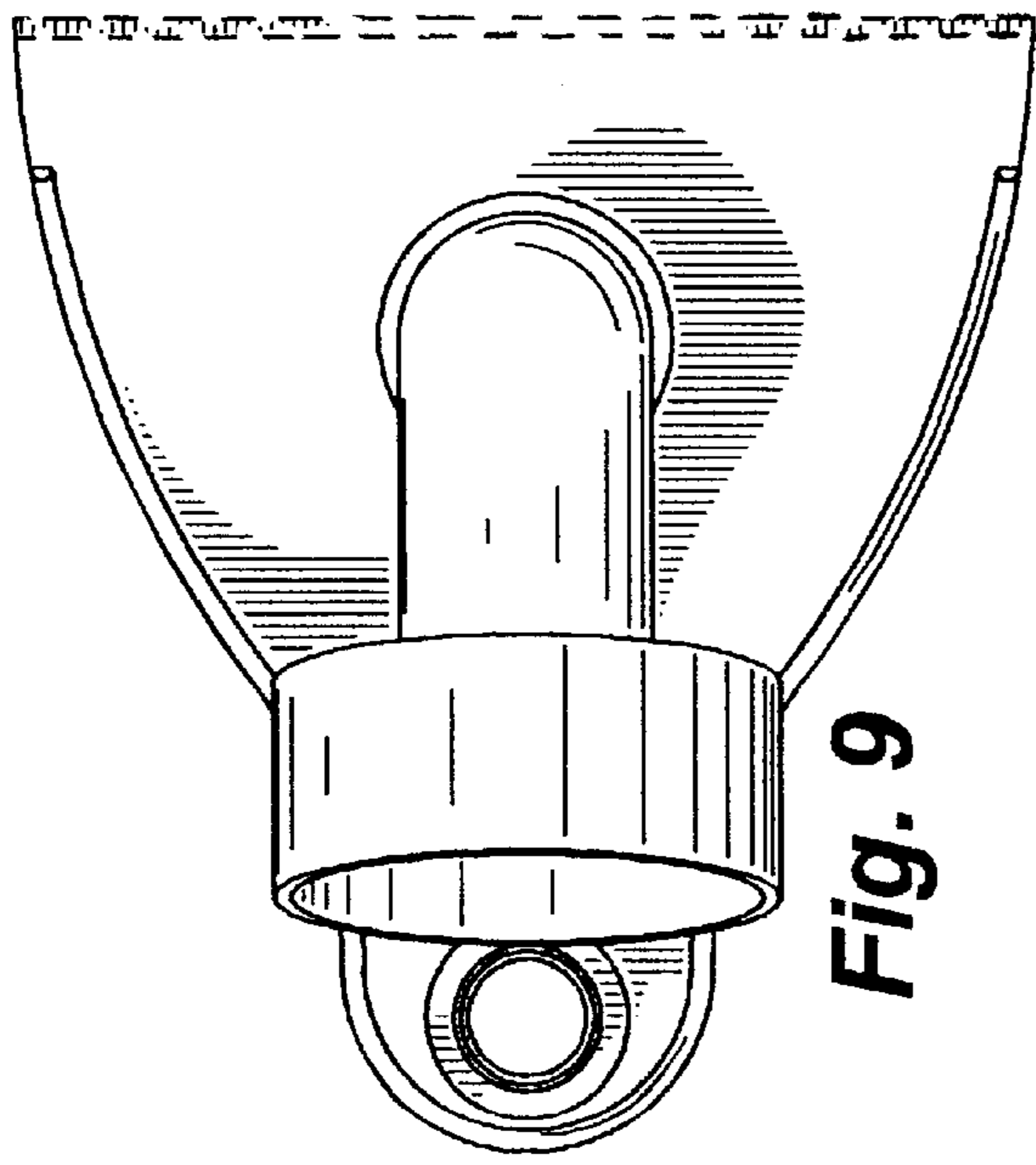


Fig. 9

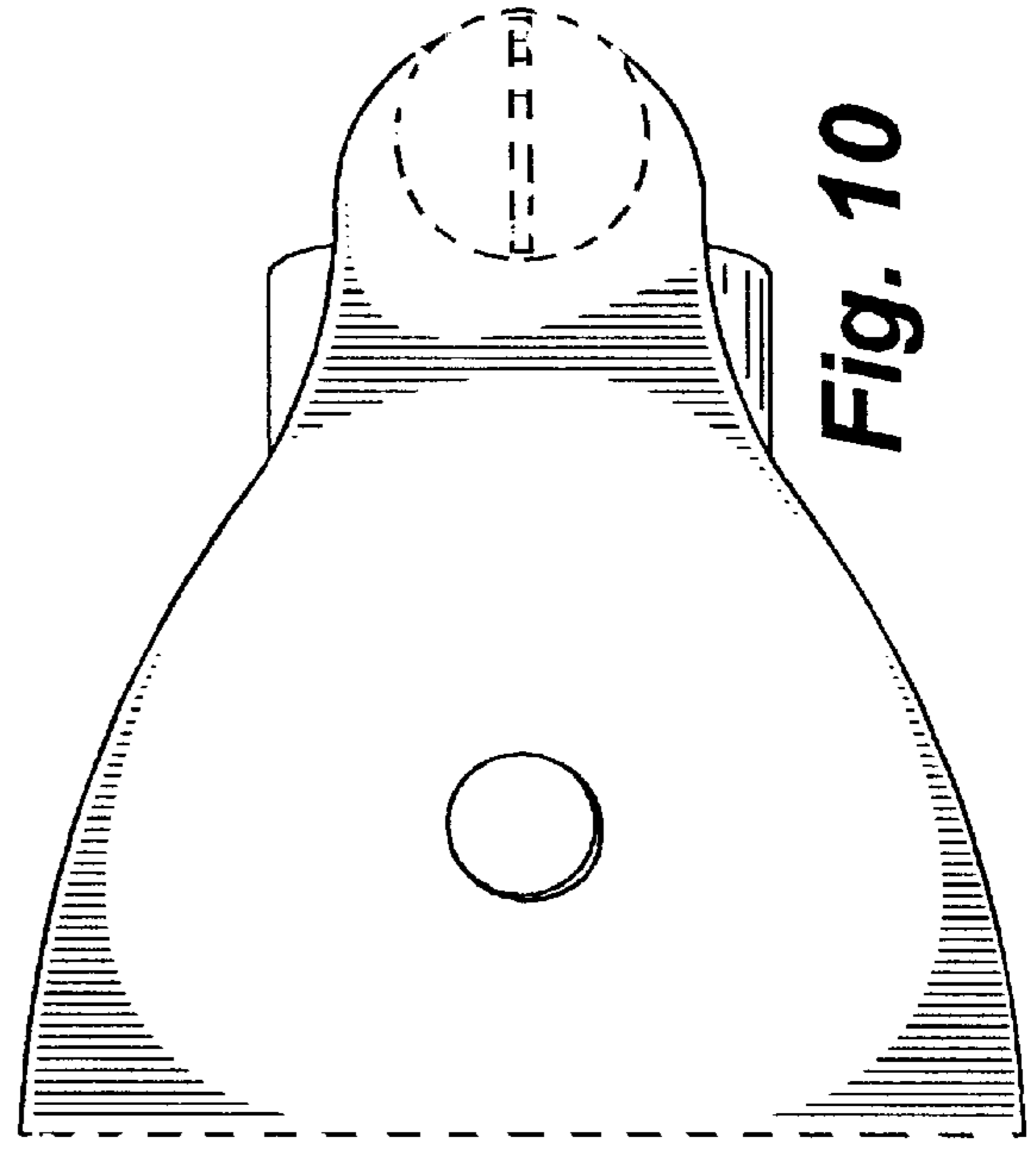


Fig. 10

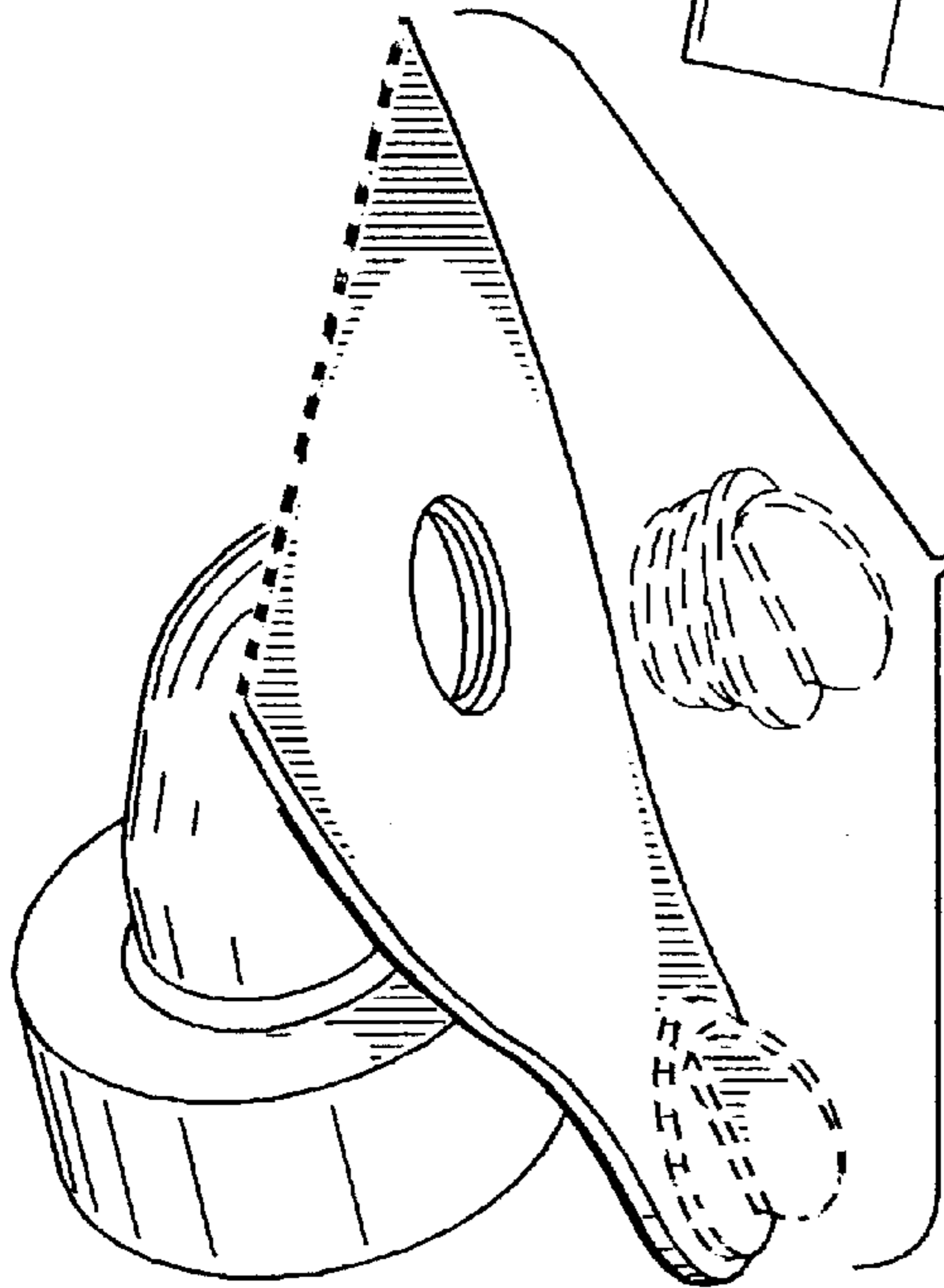


Fig. 6

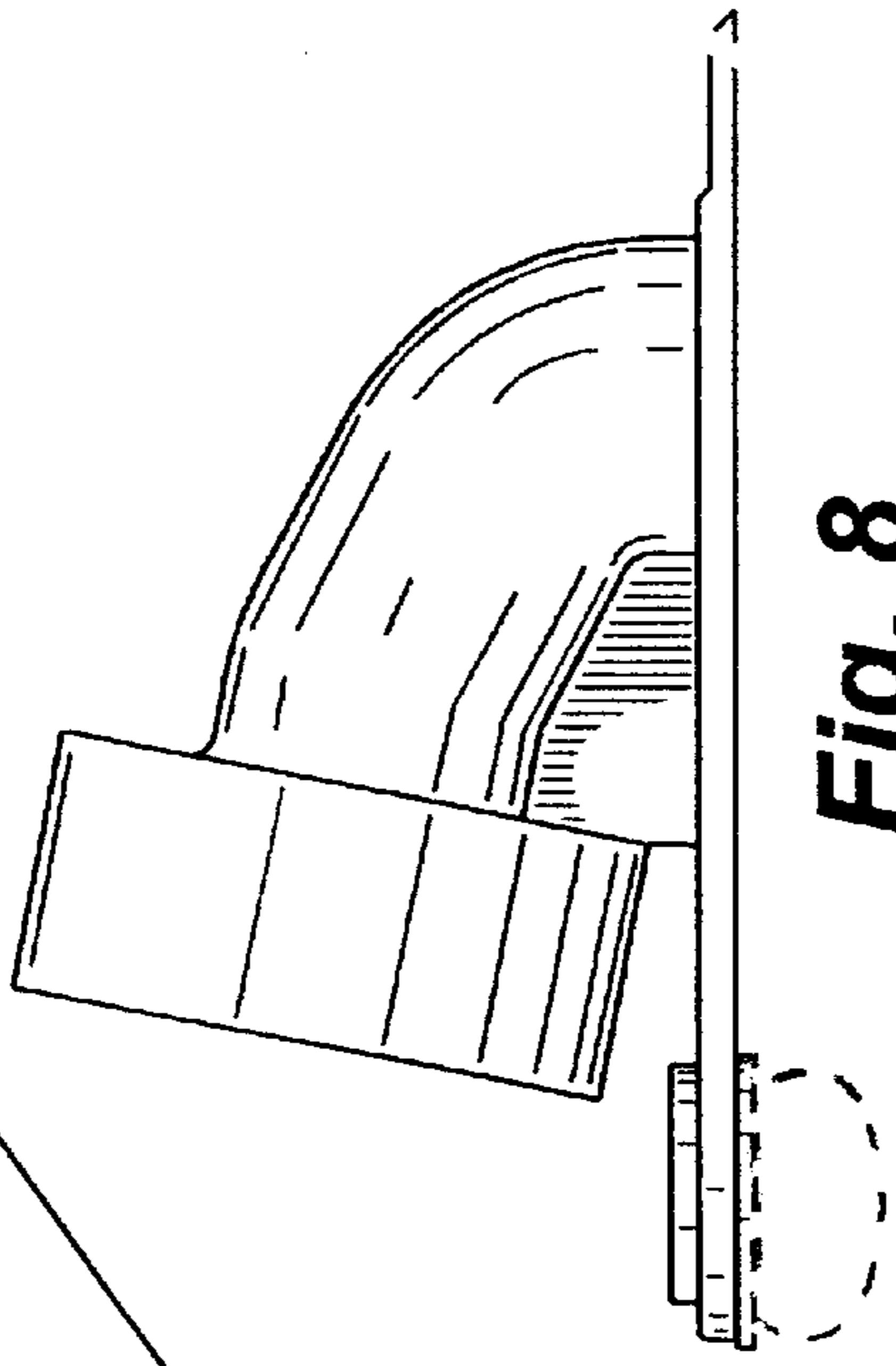


Fig. 8

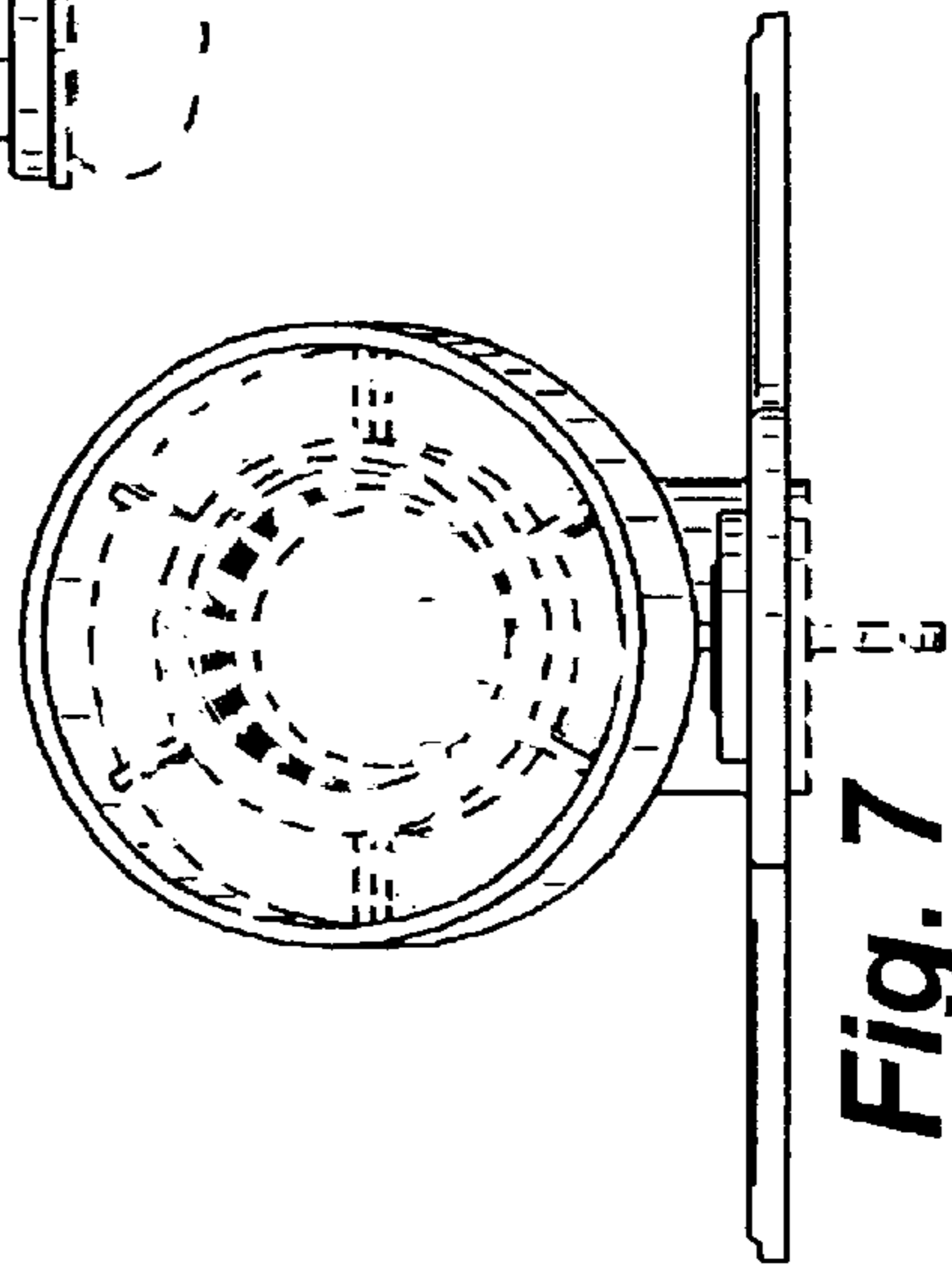


Fig. 7