



US00D449985B1

(12) **United States Design Patent**  
**Findle et al.**

(10) **Patent No.:** **US D449,985 S**

(45) **Date of Patent:** **\*\* Nov. 6, 2001**

(54) **DISPLAY PACKAGE FOR TOOL BELTS AND RELATED PRODUCTS**

(75) Inventors: **Daniel G. Findle**, White Hall; **David F. Vock**, Cockeysville; **William E. Hawkins**, Odenton; **Matthew J. Holland**, Baltimore, all of MD (US)

(73) Assignee: **Black & Decker Inc.**, Newark, DE (US)

(\*\*) Term: **14 Years**

(21) Appl. No.: **29/129,231**

(22) Filed: **Sep. 7, 2000**

(51) **LOC (7) Cl.** ..... **09-03**

(52) **U.S. Cl.** ..... **D9/415**

(58) **Field of Search** ..... D9/415, 414, 341, D9/345, 456; 206/461-471, 806, 730, 495, 234, 349, 372-379

(56) **References Cited**

**U.S. PATENT DOCUMENTS**

D. 243,443	*	2/1977	Hayashi	.....	D9/415
349,239		9/1886	Taylor	.	
D. 422,496		4/2000	Eckmann	.	
D. 423,928	*	5/2000	Kumakura	.....	D9/415
D. 432,010	*	10/2000	Etzel	.....	D9/415
3,116,829		1/1964	Pacelli	.	
3,463,309		8/1969	Szostek	.	
3,881,257		5/1975	Chasen	.	
4,001,957		1/1977	de Lima Castro	.	
4,016,972		4/1977	Szamborski	.	
4,165,572		8/1979	Sussman	.	
4,168,002		9/1979	Crosby	.	
4,211,329		7/1980	Braverman	.	
4,449,629		5/1984	Barrieau	.	
4,512,474		4/1985	Harding	.	
4,537,310	*	8/1985	Thul	.....	206/806
4,666,037		5/1987	Weissman	.	
4,739,883		4/1988	Mohs et al.	.	

4,832,301	*	5/1989	Hiramoto et al.	.....	248/691
5,121,835		6/1992	Grupe	.	
5,148,618		9/1992	Brewster	.	
5,263,586		11/1993	Keable	.	
5,293,993		3/1994	Yates, Jr. et al.	.	
5,497,882		3/1996	Kenyon	.	
5,540,324		7/1996	Knapp	.	
5,593,036		1/1997	Dyble et al.	.	
5,626,226		5/1997	Gardiner et al.	.	
5,699,913		12/1997	Richardson	.	
5,740,911	*	4/1998	Chou	.....	206/806

\* cited by examiner

*Primary Examiner*—Prabhakar Deshmukh

(74) *Attorney, Agent, or Firm*—Harness, Dickey & Pierce, P.L.C.

(57) **CLAIM**

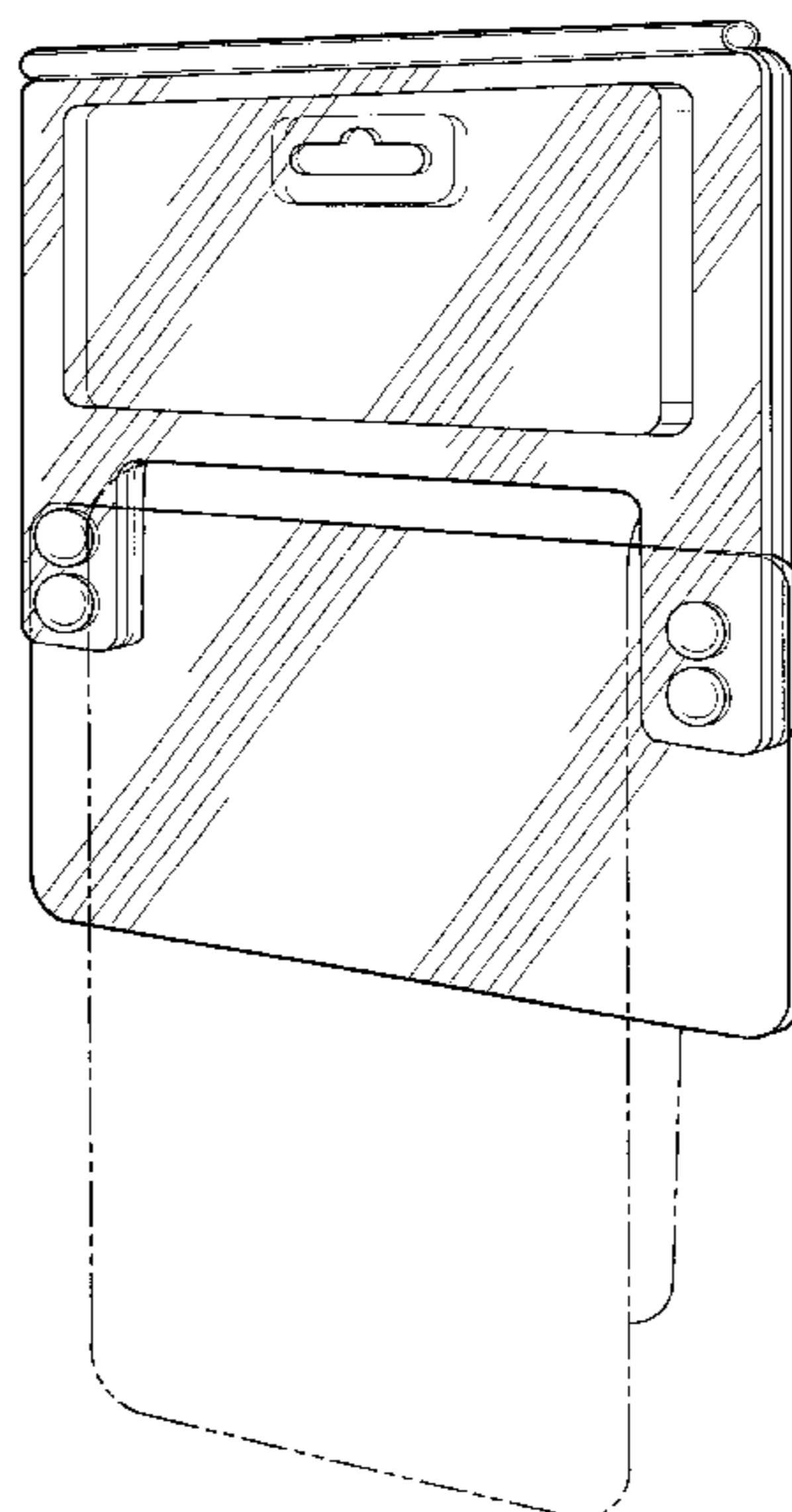
The ornamental design for a display package for tool belts and related products, as shown and described.

**DESCRIPTION**

FIG. 1 is a perspective view of a display package for tools belts and related products showing our new design; FIG. 2 is a rear perspective view thereof; FIG. 3 is a front elevational view thereof; FIG. 4 is a top plan view thereof; FIG. 5 is a right elevational view thereof; FIG. 6 is a bottom plan view thereof; FIG. 7 is a left side elevational view thereof; FIG. 8 is a rear elevational view thereof; FIG. 9 is a front elevational view of a second embodiment of FIG. 1; FIG. 10 is a rear elevational view thereof; FIG. 11 is a left side elevational view thereof; FIG. 12 is a right side elevational view thereof; FIG. 13 is a bottom plan view thereof; and, FIG. 14 is a top plan view thereof.

The broken line showing of a product is for illustrative purpose only and forms no part of a claimed design.

**1 Claim, 6 Drawing Sheets**



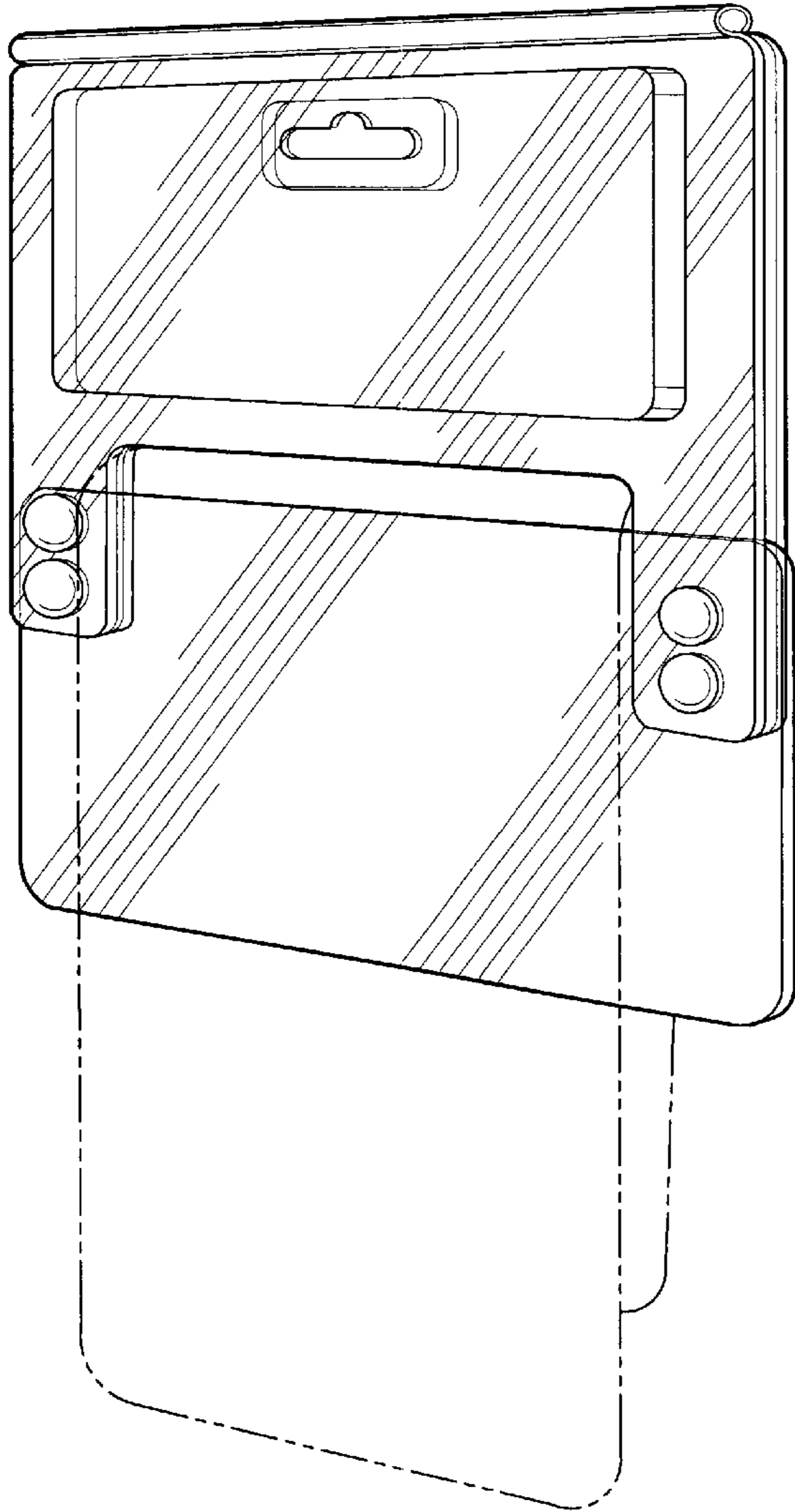


Fig-1

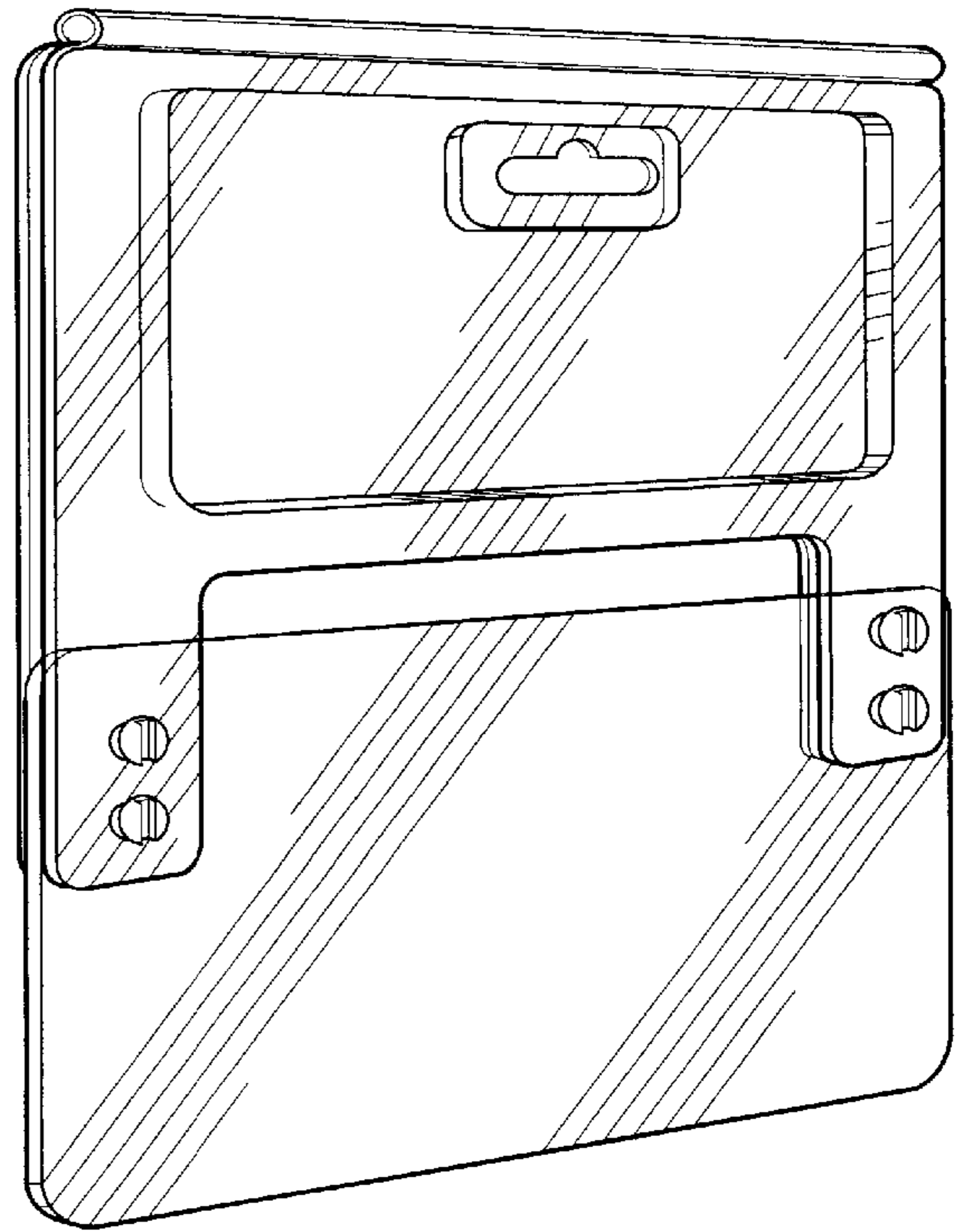


Fig-2

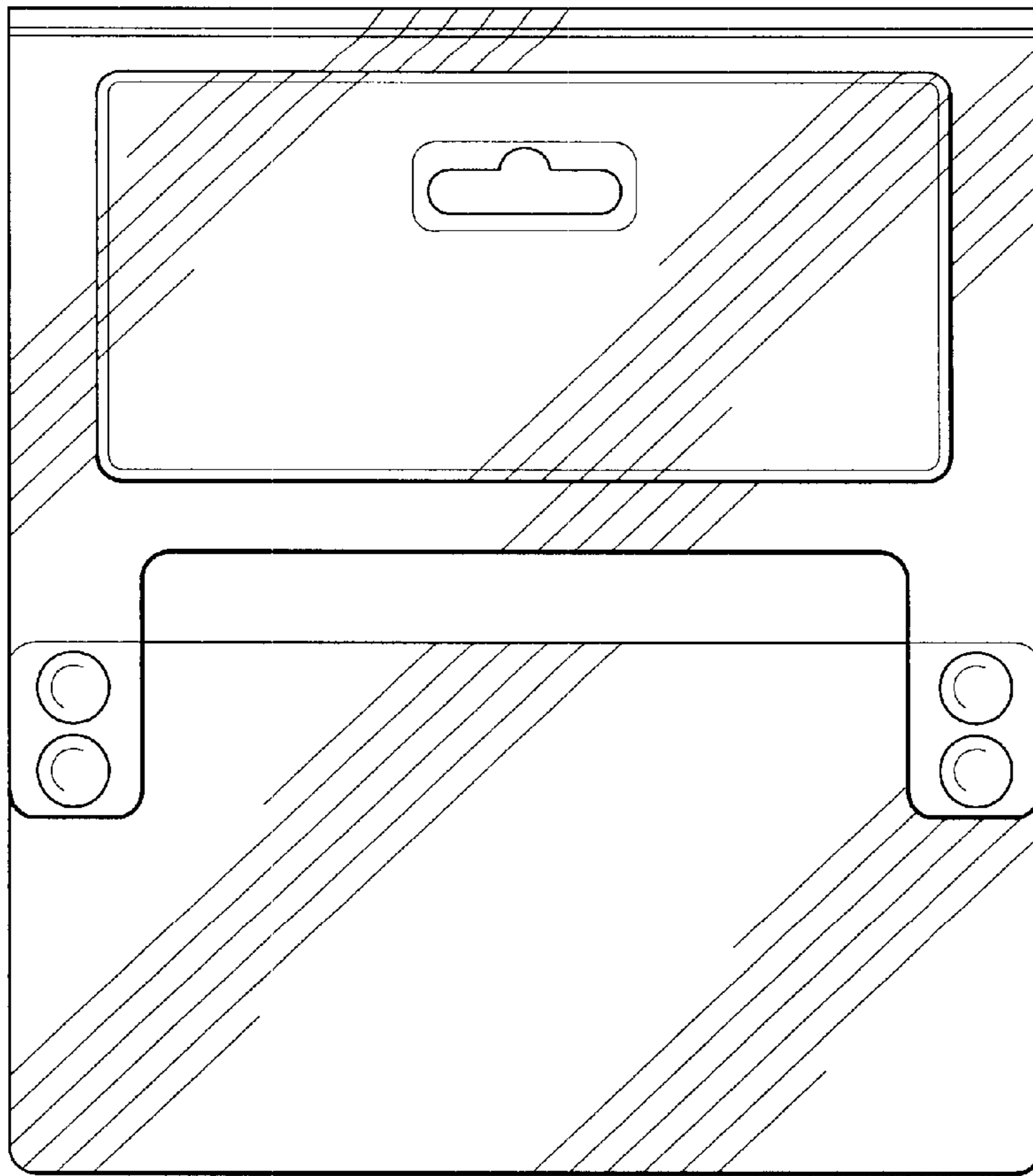


Fig-3

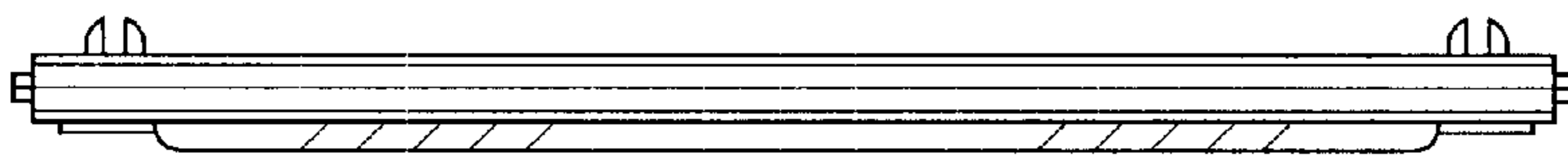


Fig-4

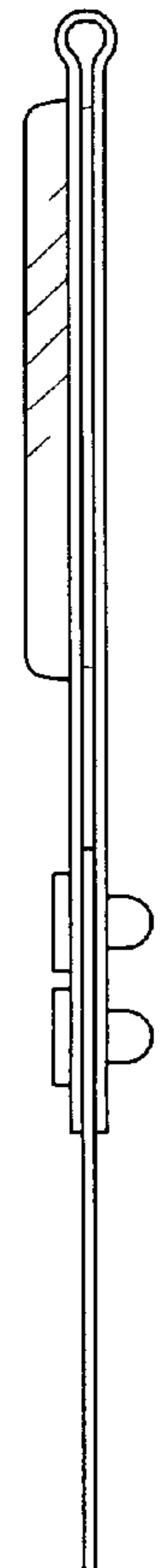


Fig-5

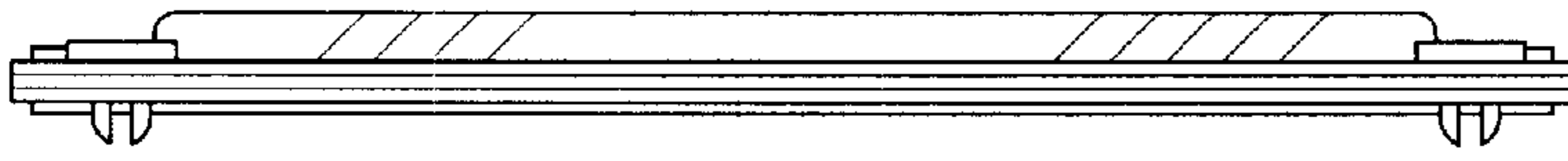


Fig-6

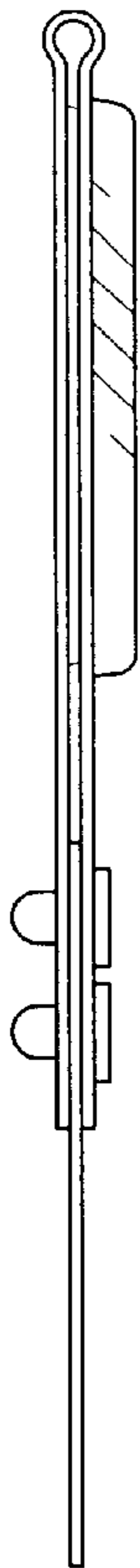


Fig-7

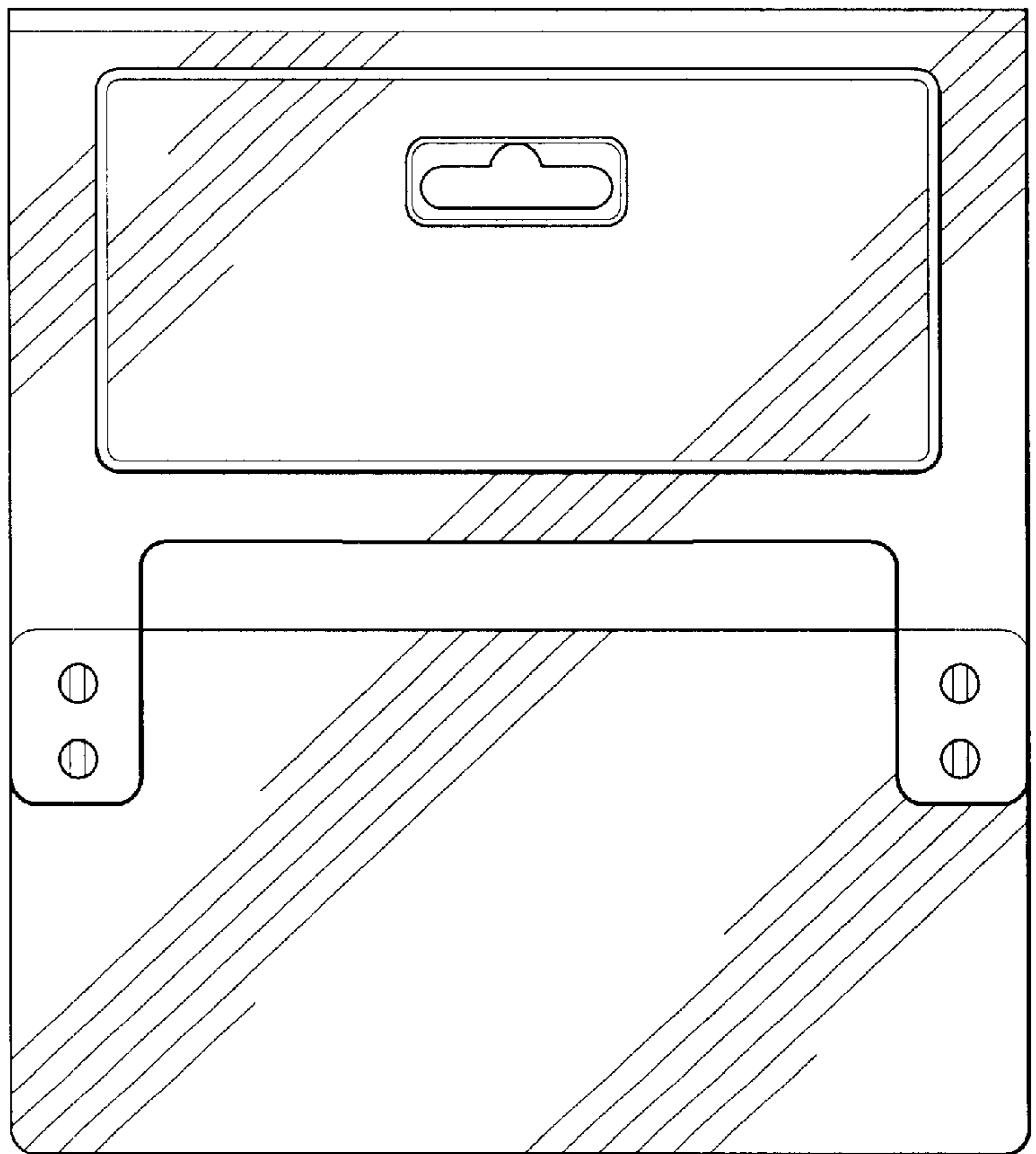


Fig-8

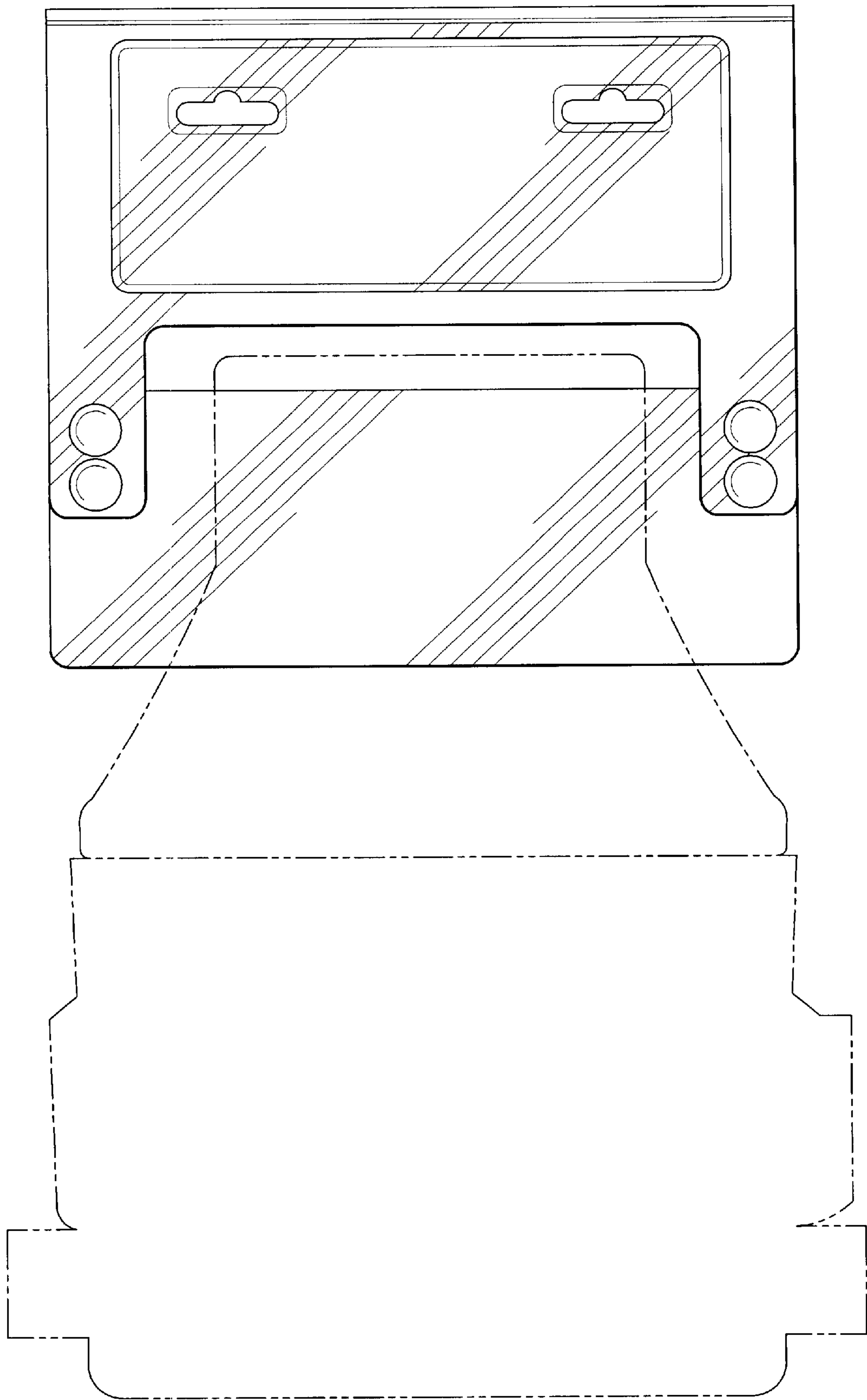


Fig-9

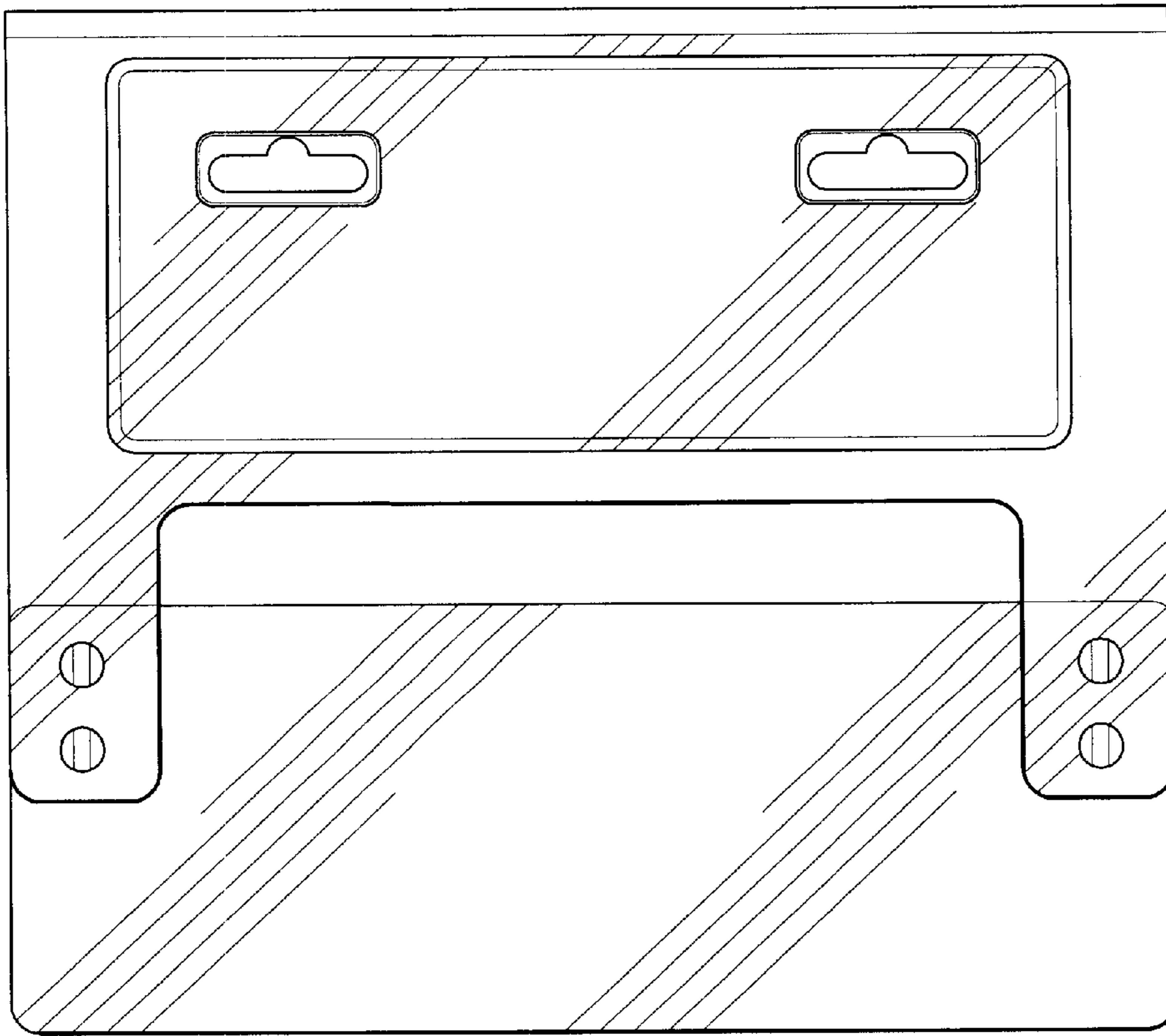


Fig-10

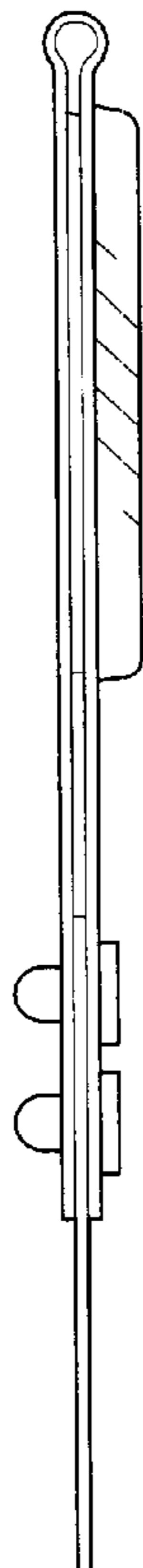


Fig-11

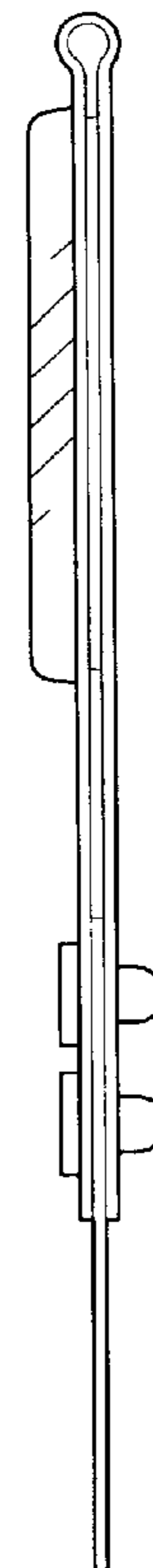


Fig-12

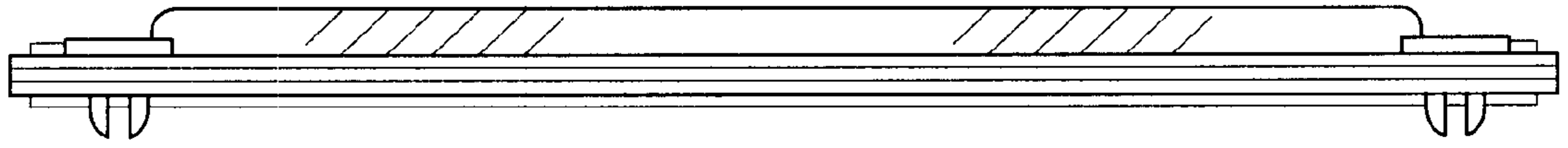


Fig-13

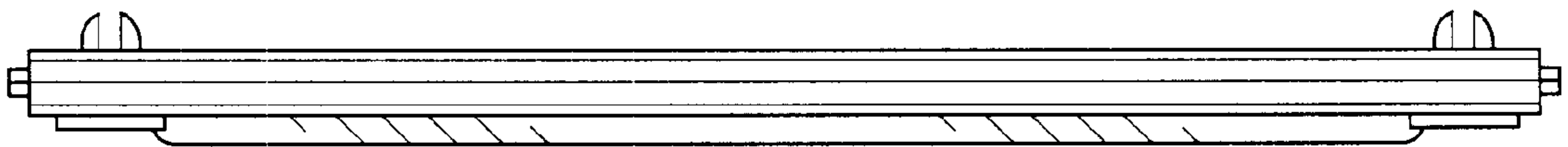


Fig-14