



US00D449977B1

(12) **United States Design Patent**
Dembowiak et al.

(10) **Patent No.:** **US D449,977 S**

(45) **Date of Patent:** **** Nov. 6, 2001**

(54) **MAGNETIC MOUNTING HOOK**

(76) Inventors: **Casey M. Dembowiak**, 2408 S. 62nd St., West Allis, WI (US) 53219;
Edmund A. Malczewski, 2514A N. Weil St., Milwaukee, WI (US) 53212;
Vicki L. Kempka, 3114 S. Brisbane Ave., Milwaukee, WI (US) 53207

(**) Term: **14 Years**

(21) Appl. No.: **29/128,733**

(22) Filed: **Aug. 30, 2000**

(51) **LOC (7) Cl.** **08-05**

(52) **U.S. Cl.** **D8/367**

(58) **Field of Search** D8/372, 370, 367, D8/368; 248/302-304, 206.5, 206.2, 205.5, 205.3, 322, 214, 215, 231.81, 916, 222.41; 16/87.2; 24/129 R, 369

(56) **References Cited**

U.S. PATENT DOCUMENTS

D. 402,538 * 12/1998 Wagter et al. D8/358
2,679,998 * 6/1954 Keller 248/205.3
2,803,595 * 8/1957 Anzaldi 248/206.2

3,118,207 1/1964 Breslow 24/214
3,310,271 * 3/1967 King 248/222.41
5,411,231 5/1995 Buck 248/206.5
5,967,476 * 10/1999 Chen 248/222.41
6,041,717 3/2000 Kubat 108/44

* cited by examiner

Primary Examiner—Pamela Burgess

(74) *Attorney, Agent, or Firm*—Donald J. Ersler

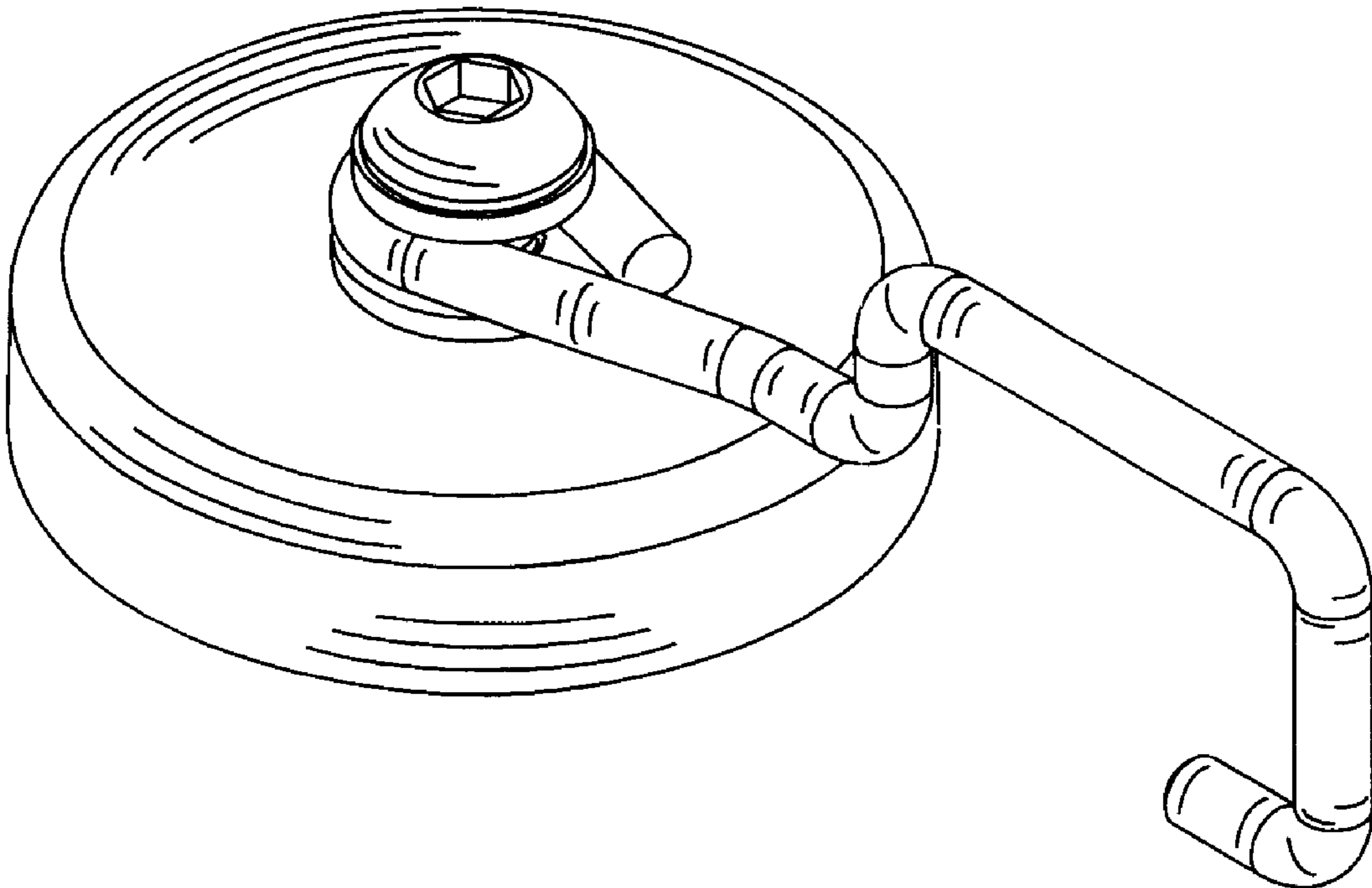
(57) **CLAIM**

The ornamental design for a magnetic mounting hook, as shown and described.

DESCRIPTION

FIG. 1 is a perspective view of a magnetic mounting hook incorporating my new design;
FIG. 2 is a perspective view of a magnetic mounting hook with the hook in an alternative position;
FIG. 3 is a left side view thereof;
FIG. 4 is a right side view thereof;
FIG. 5 is a top view thereof;
FIG. 6 is a bottom view thereof;
FIG. 7 is a front elevation view thereof; and,
FIG. 8 is a rear elevation view thereof.

1 Claim, 4 Drawing Sheets



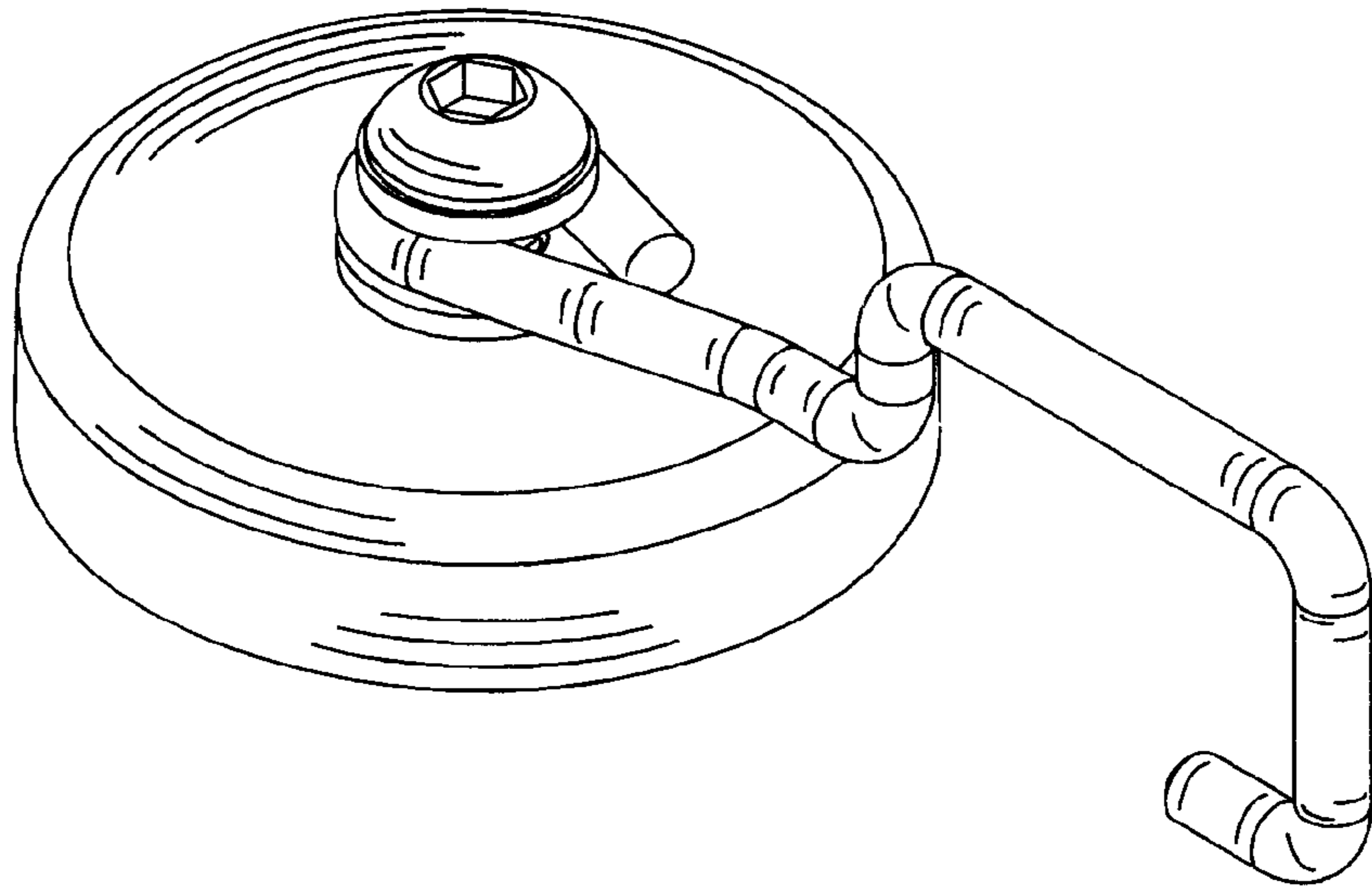


FIG. 1

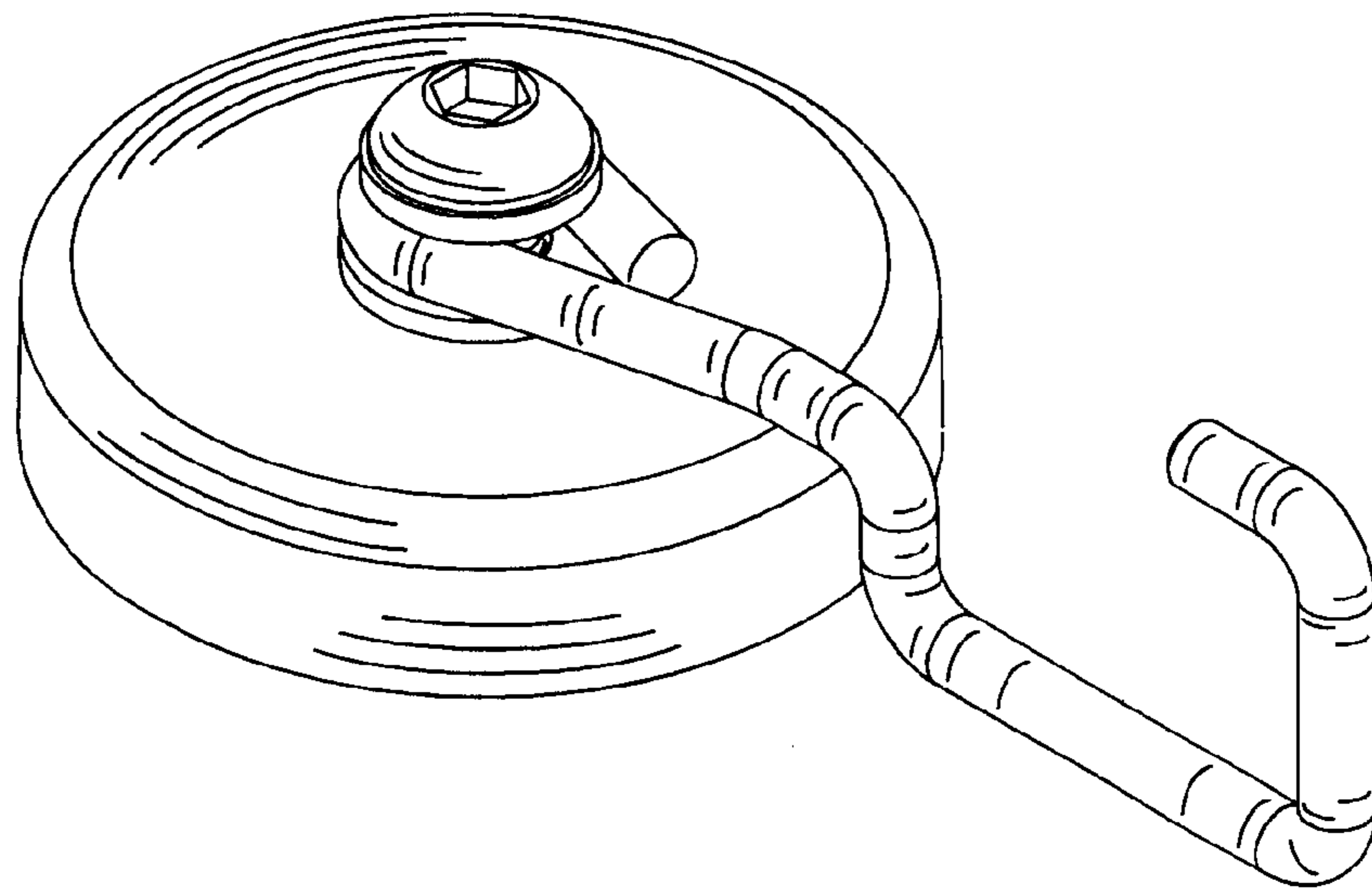


FIG. 2

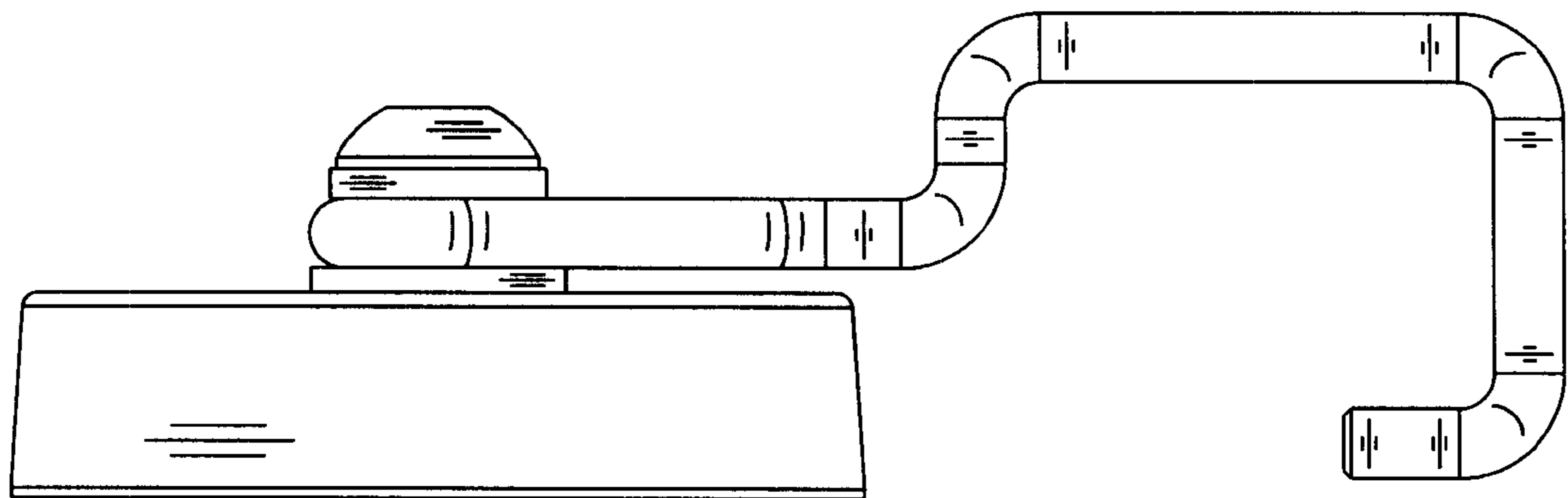


FIG. 3

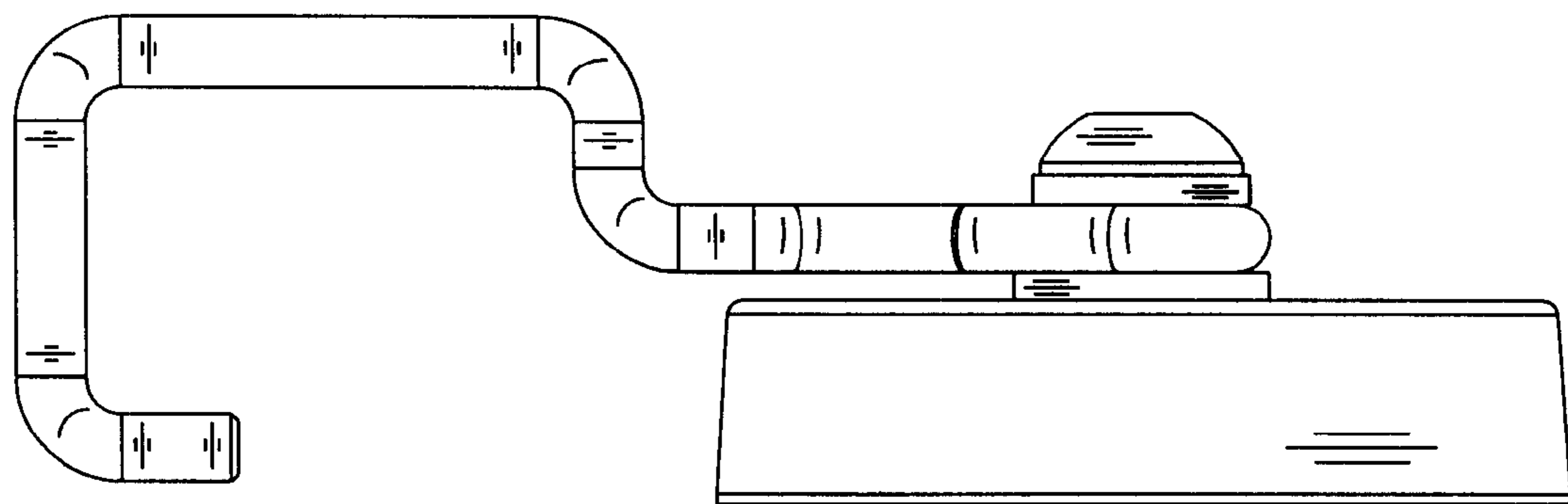


FIG. 4

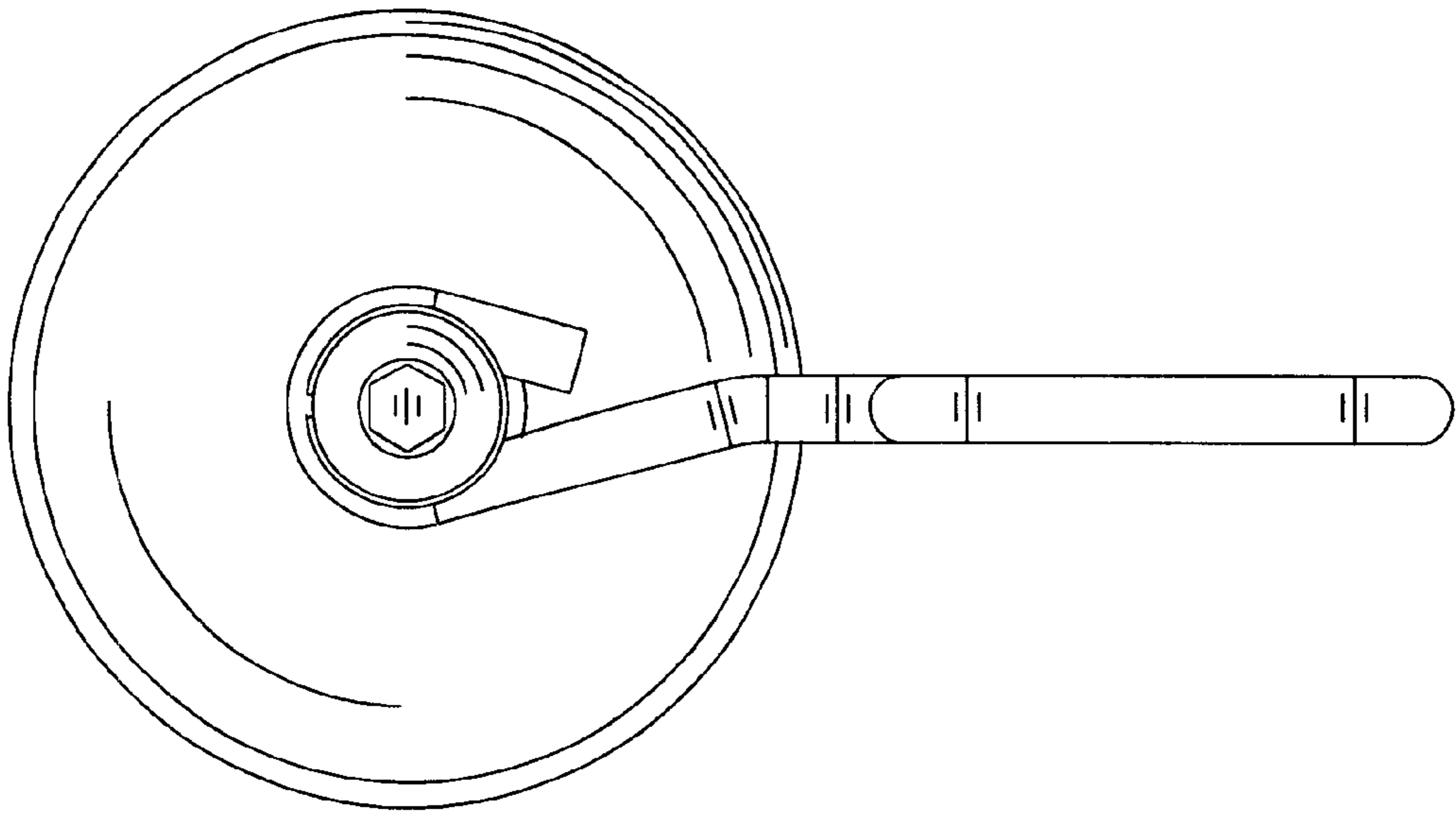


FIG. 5

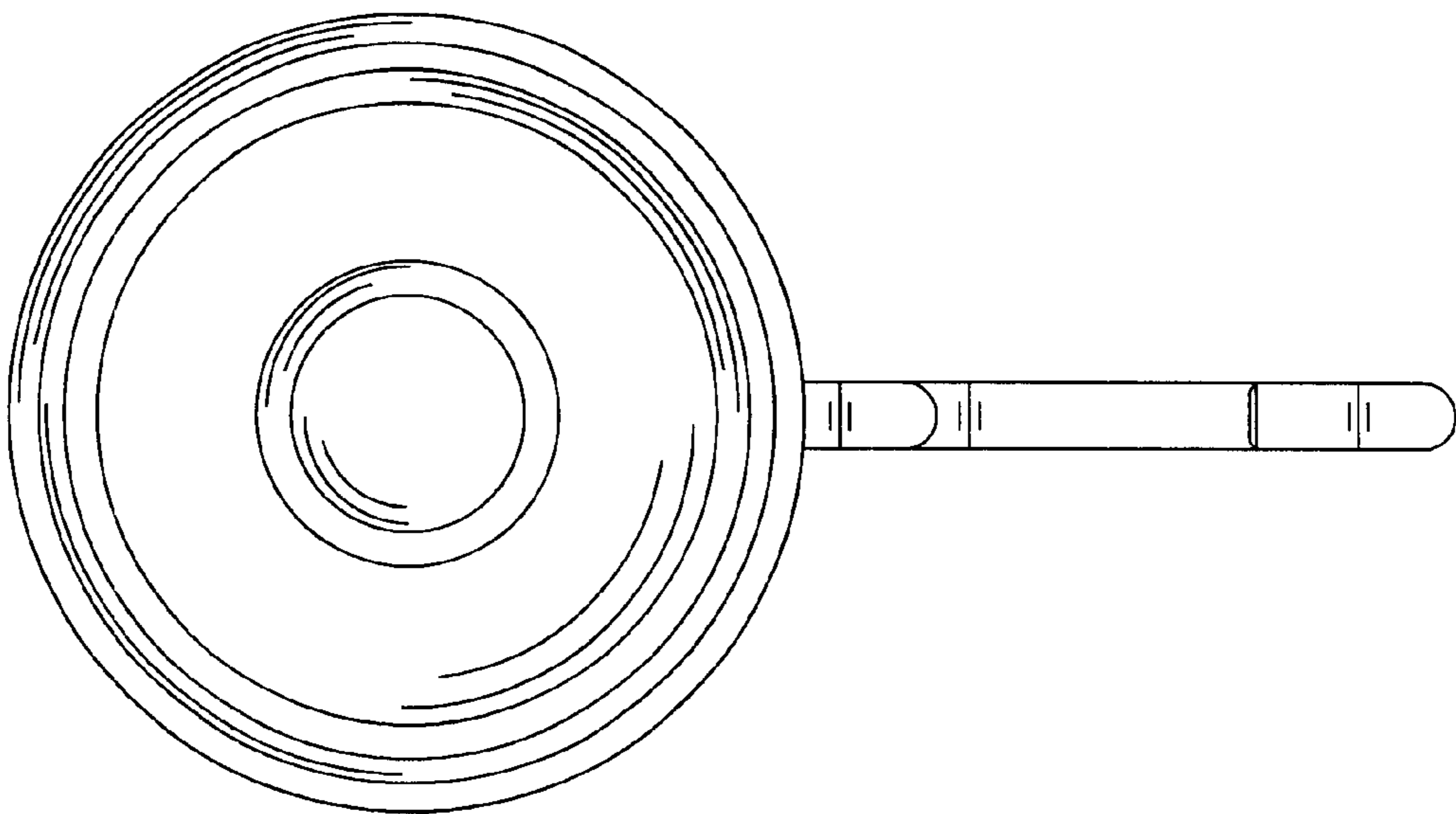


FIG. 6

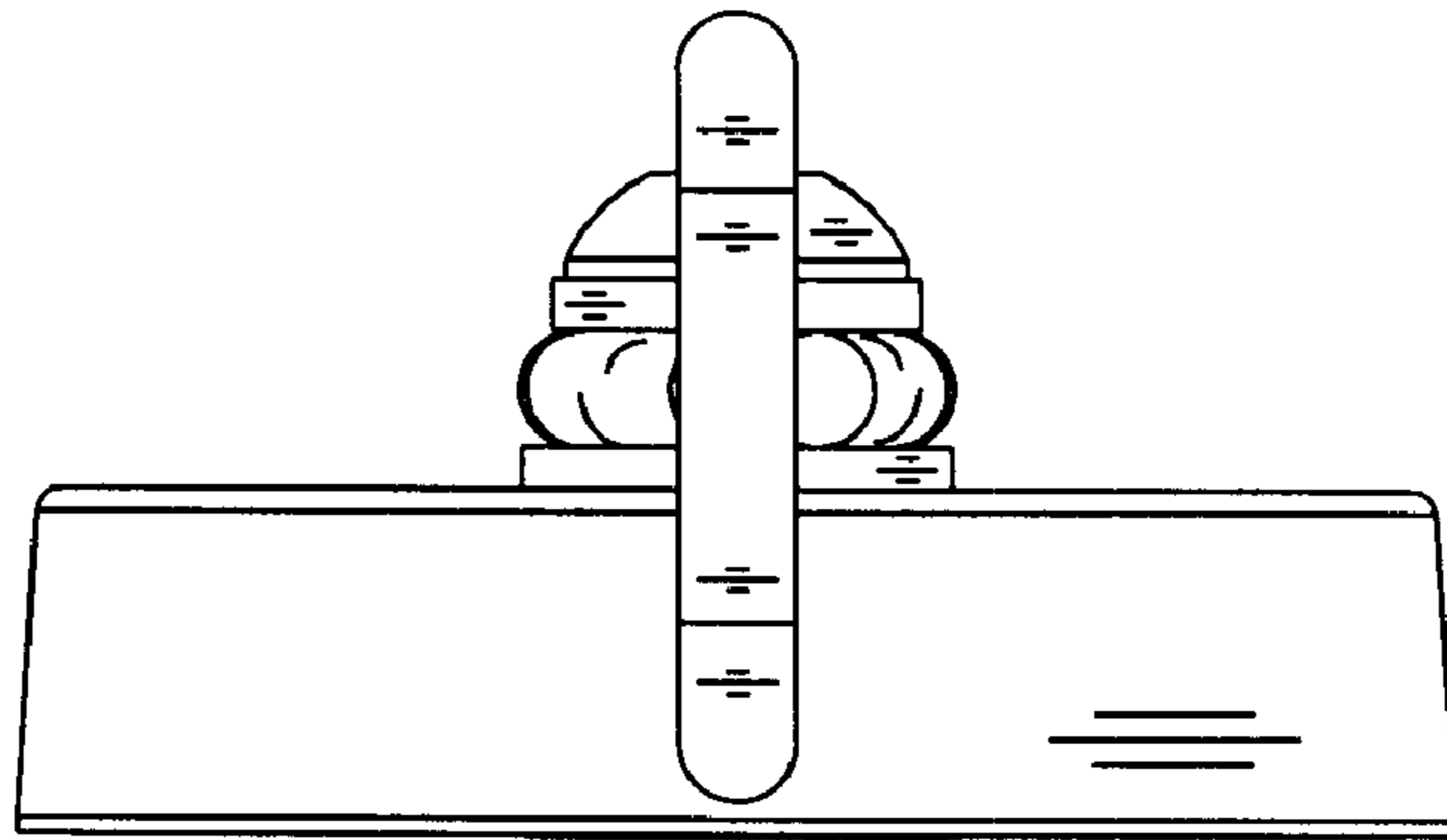


FIG. 7

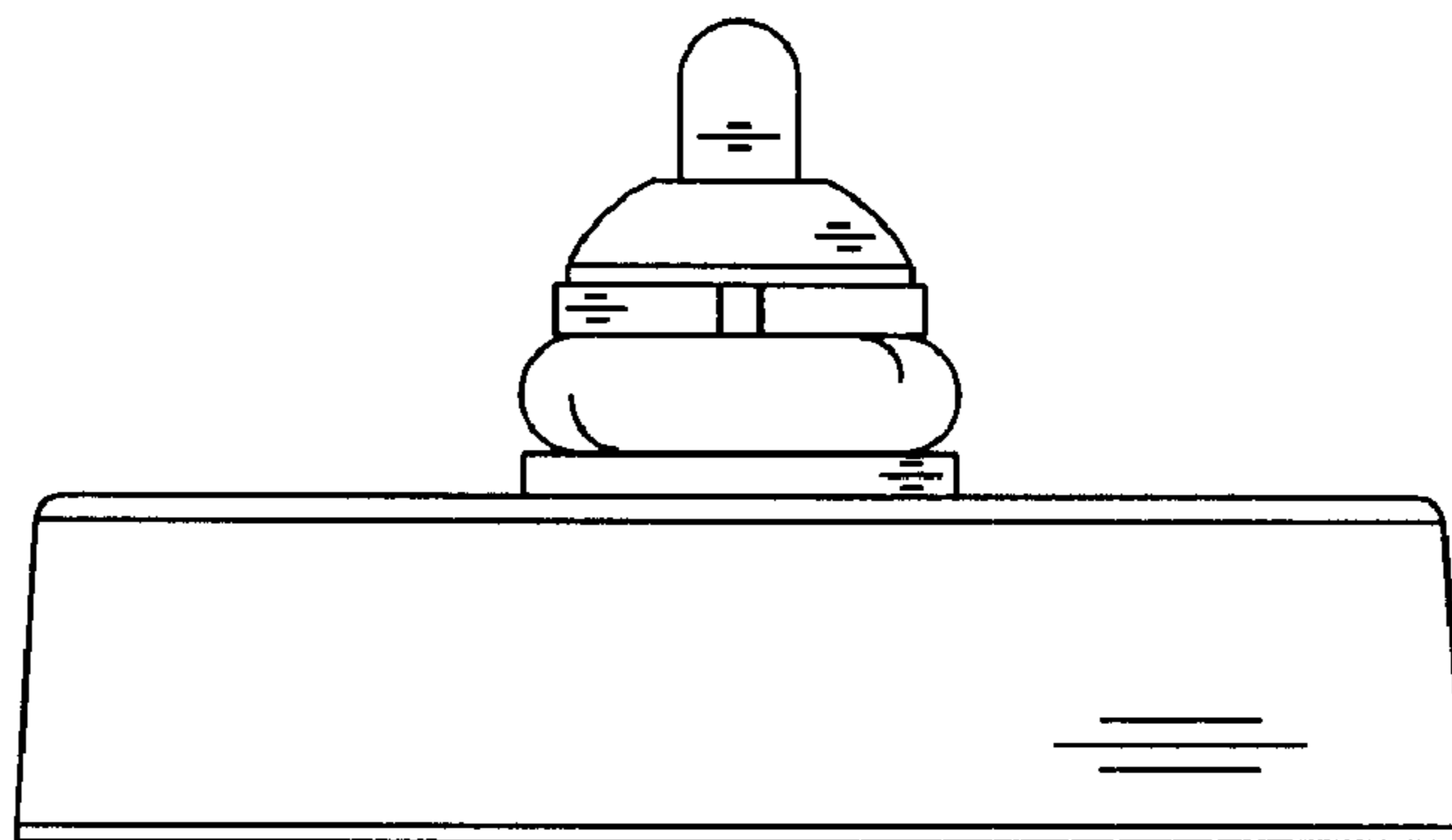


FIG. 8