



US00D449975B1

(12) **United States Design Patent**
Smith et al.

(10) **Patent No.:** **US D449,975 S**

(45) **Date of Patent:** **** Nov. 6, 2001**

(54) **TIE-BACK HOOK**

5,735,025 * 4/1998 Bailey 24/600.1
5,896,630 * 4/1999 Smith et al. 24/600.1

(75) Inventors: **Keith A. Smith**, Burlington; **Steve B. Levay**, Font Hill; **Bob Claus**, Welland, all of (CA)

* cited by examiner

(73) Assignee: **Haun Drop Forge Co. Ltd.**, Welland (CA)

Primary Examiner—Pamela Burgess
(74) *Attorney, Agent, or Firm*—Merek & Voorhees

(**) Term: **14 Years**

(57) **CLAIM**

The ornamental design for a tie-back hook, as shown and described.

(21) Appl. No.: **29/120,278**

DESCRIPTION

(22) Filed: **Mar. 17, 2000**

(51) **LOC (7) Cl.** **08-05**

(52) **U.S. Cl.** **D8/367; D8/356**

(58) **Field of Search** D8/367, 356, 382;
24/599.5, 600.1, 600.2; 294/82.21, 82.2

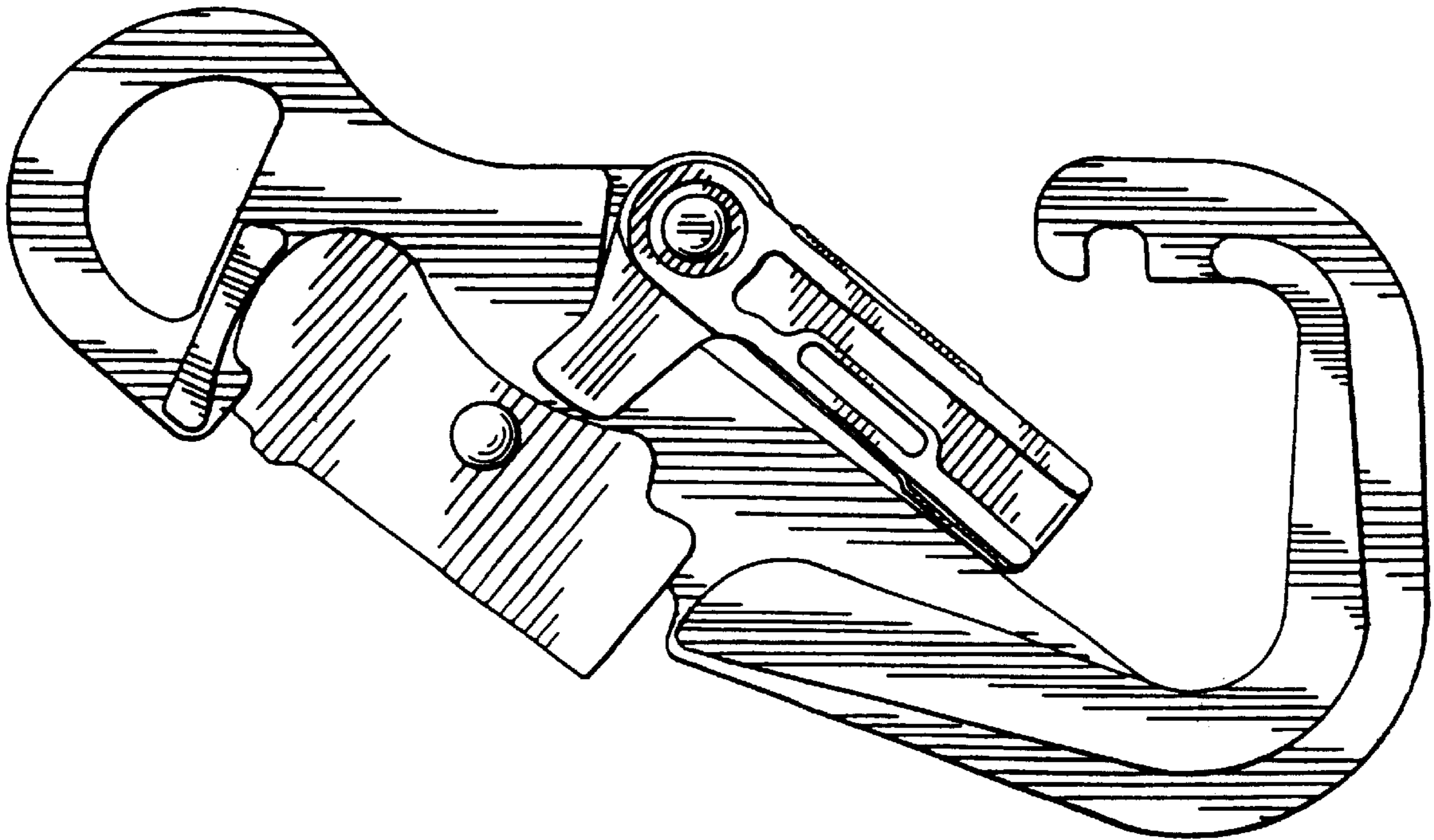
FIG. 1 is a side elevational view of a tie-back hook showing my new design, the undisclosed rear being a mirror image; FIG. 2 is a side elevational view thereof with the gate-keeper in an opened position; FIG. 3 is a top plan view of FIG. 1; FIG. 4 is a bottom plan view thereof; FIG. 5 is a left side elevational view thereof; and, FIG. 6 is a right side elevational view thereof.

(56) **References Cited**

U.S. PATENT DOCUMENTS

5,257,441 * 11/1993 Barlow 24/599.5

1 Claim, 3 Drawing Sheets



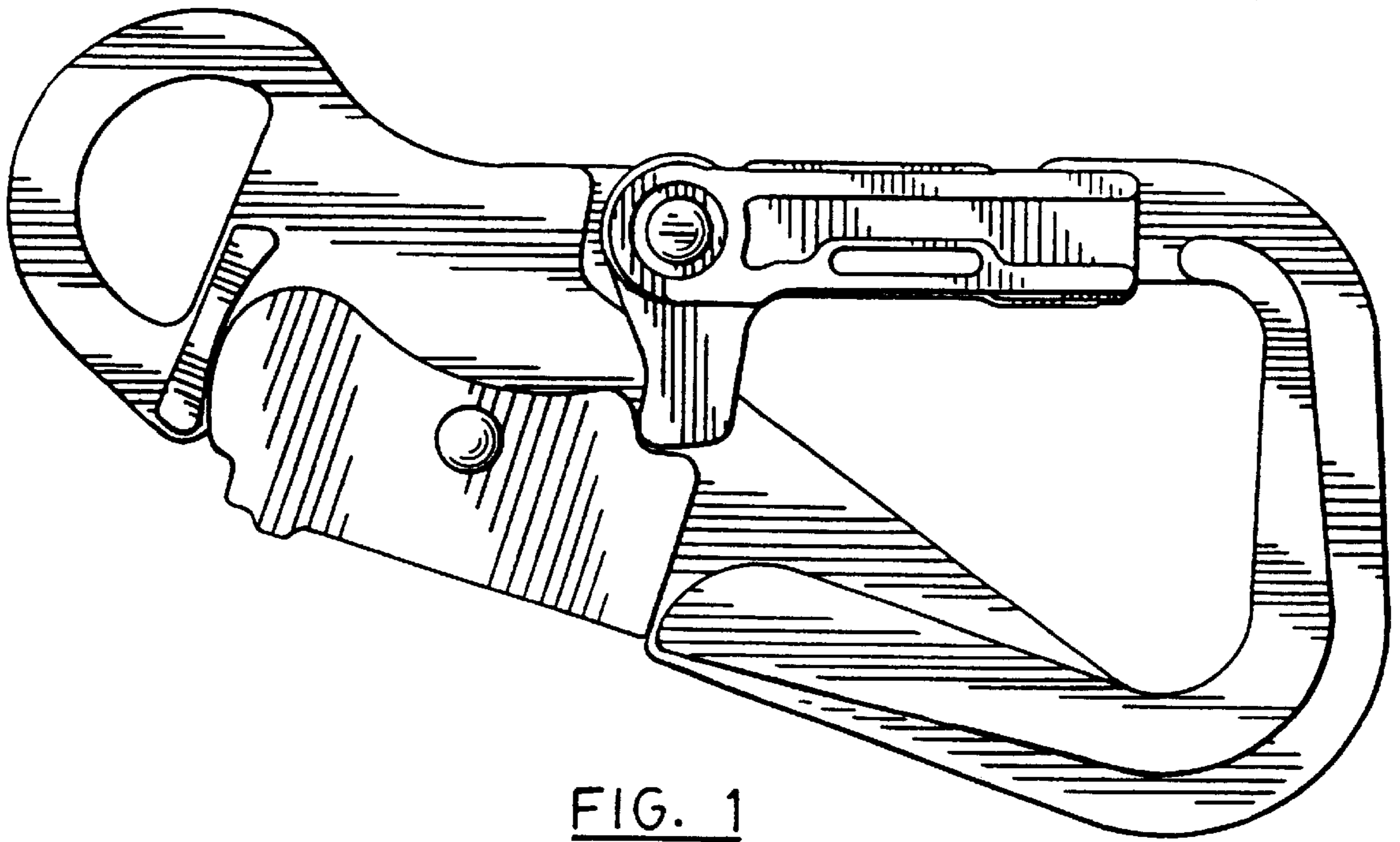


FIG. 1

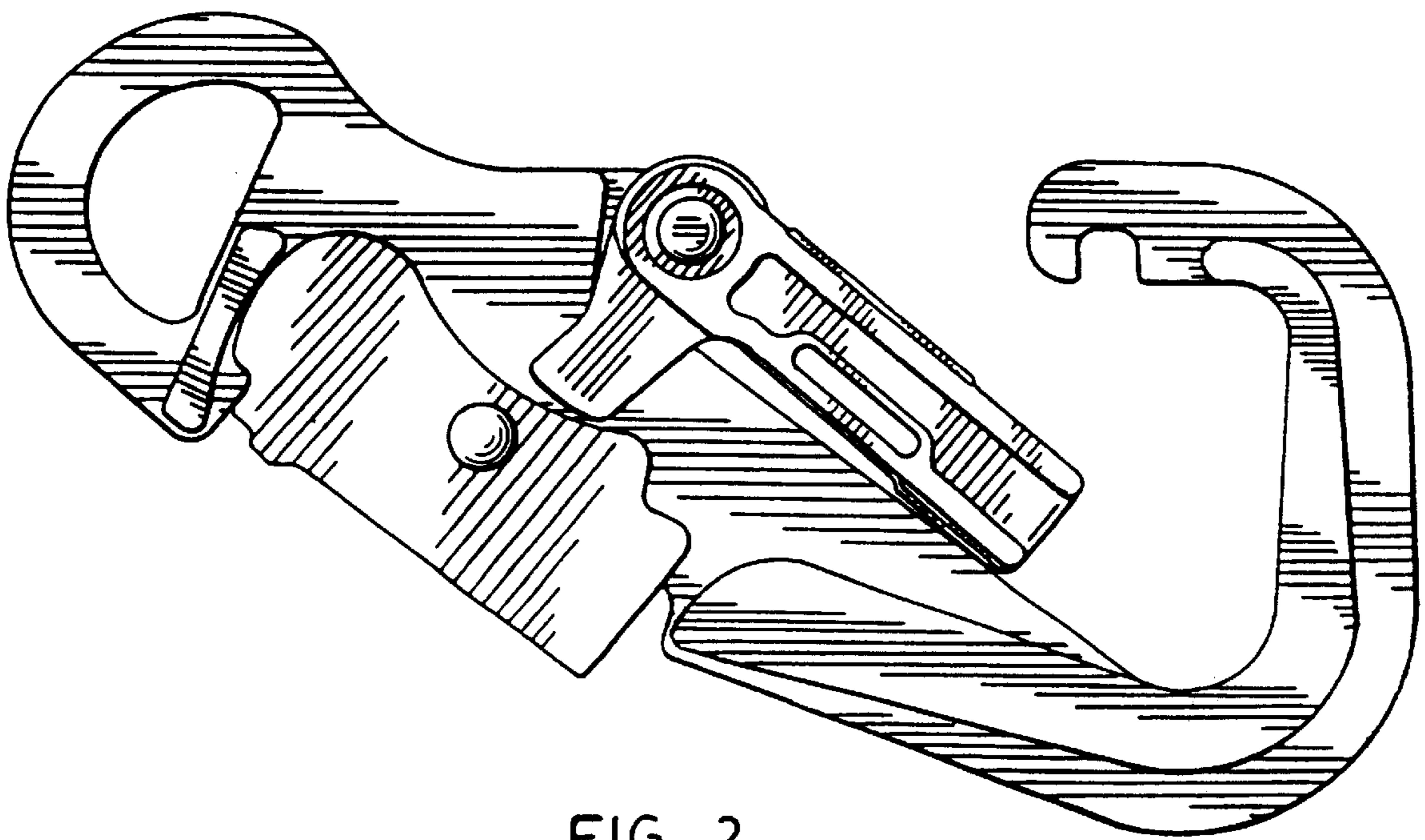


FIG. 2

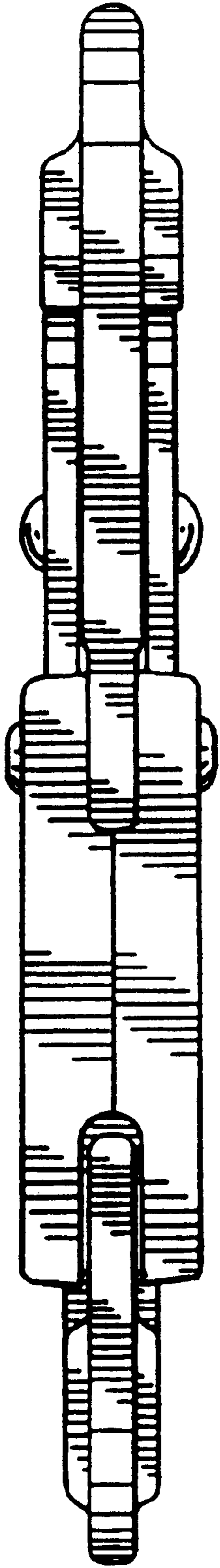


FIG. 3

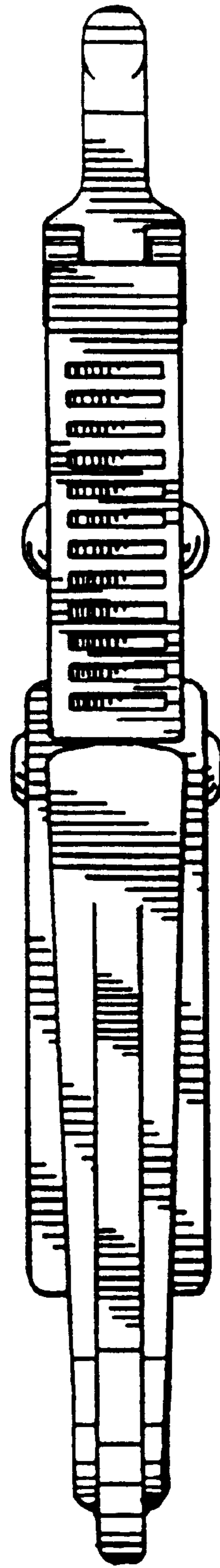


FIG. 4

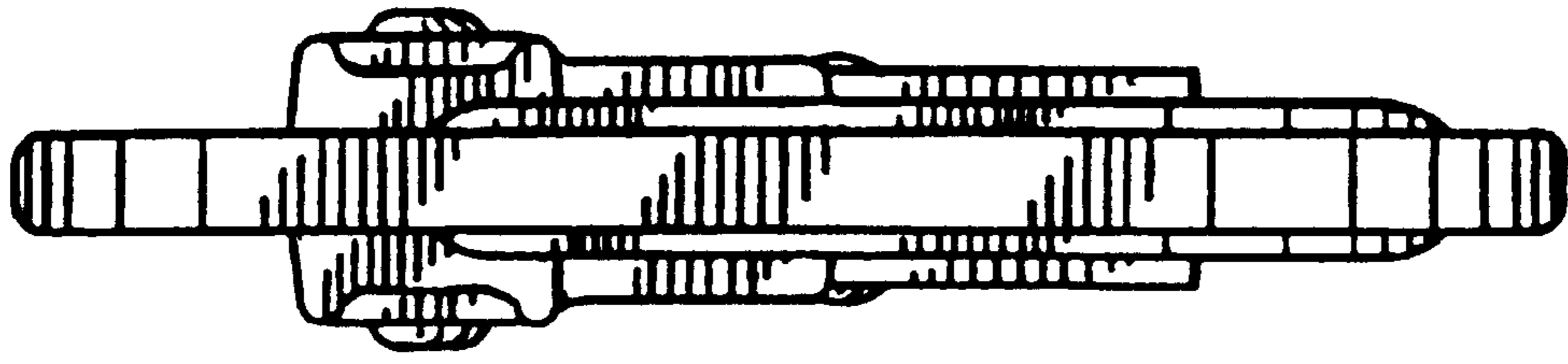


FIG. 5

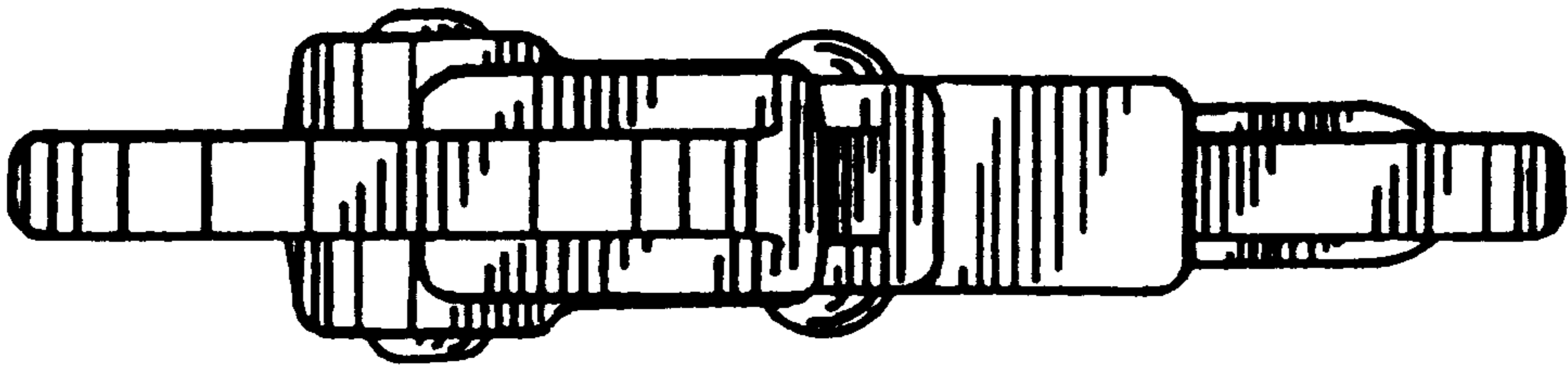


FIG. 6