



US00D449974B1

(12) **United States Design Patent**
Stekelenburg

(10) **Patent No.:** **US D449,974 S**

(45) **Date of Patent:** **** Nov. 6, 2001**

(54) **CABLE REEL**

5,590,749 * 1/1997 Wagner et al. 191/12.4
5,732,898 * 3/1998 Odessky et al. 242/377

(75) Inventor: **Albert Stekelenburg**, Taipei (TW)

* cited by examiner

(73) Assignee: **All-Line Inc.**, Taipei (TW)

Primary Examiner—Pamela Burgess

(**) Term: **14 Years**

(74) *Attorney, Agent, or Firm*—Dougherty & Troxell

(21) Appl. No.: **29/140,035**

(57) **CLAIM**

(22) Filed: **Apr. 12, 2001**

The ornamental design for a cable reel, as shown and described.

(51) **LOC (7) Cl.** **08-05**

DESCRIPTION

(52) **U.S. Cl.** **D8/358**

(58) **Field of Search** D8/358, 356, 349;
242/395, 405.3, 403.1, 608.1, 410, 386,
377, 379.2, 399, 397.1; 191/12.4, 12.2 R

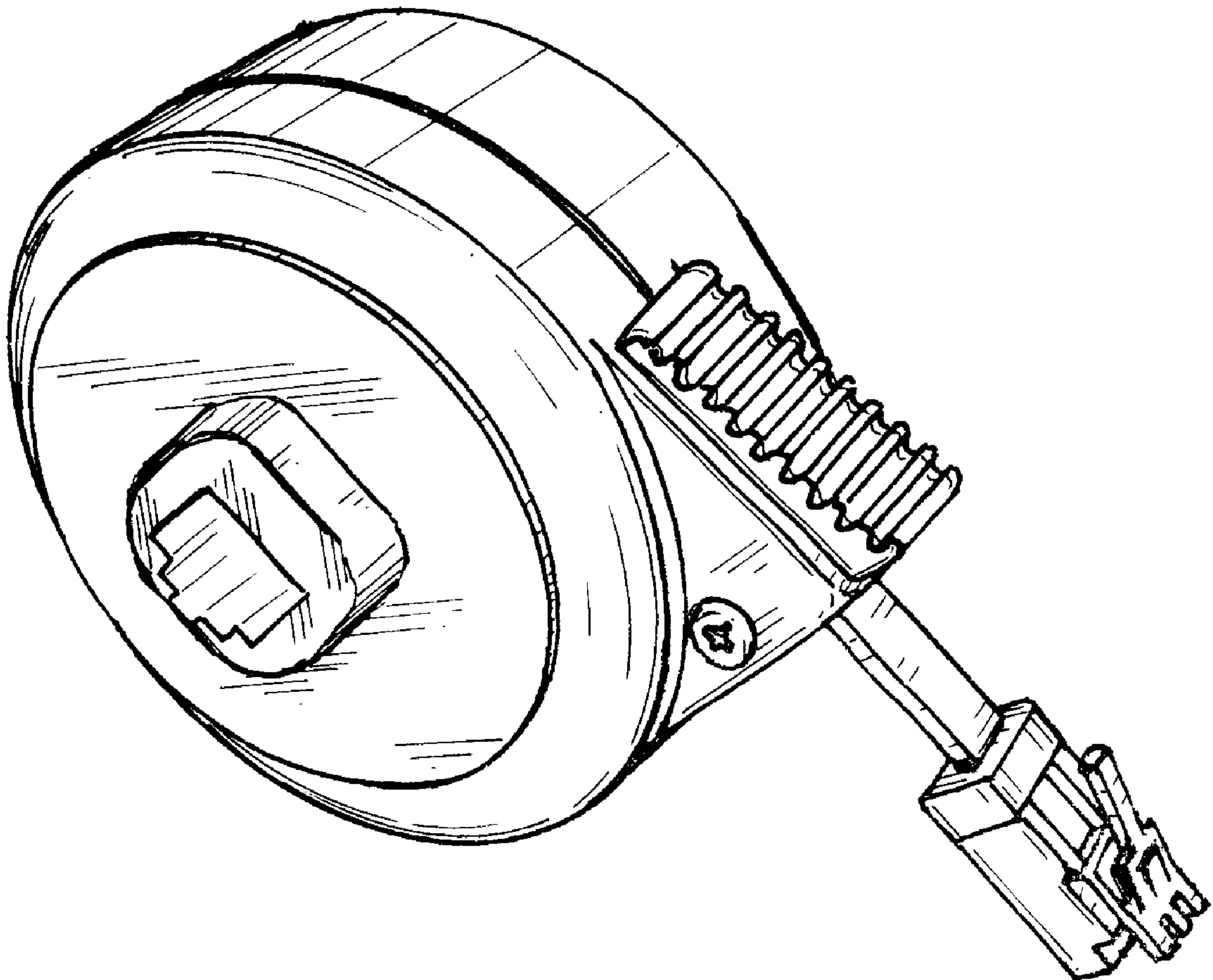
FIG. 1 is a top plan view of a cable reel showing my new design;
FIG. 2 is a front view thereof;
FIG. 3 is a right side elevational view thereof;
FIG. 4 is a bottom plan view thereof;
FIG. 5 is a left side elevational view thereof;
FIG. 6 is a rear view thereof; and,
FIG. 7 is a perspective view thereof.

(56) **References Cited**

U.S. PATENT DOCUMENTS

D. 324,644 * 3/1992 Jacobs D8/356
D. 377,447 * 1/1997 Blye D8/358
D. 430,851 * 1/2000 Hwang D8/356

1 Claim, 2 Drawing Sheets



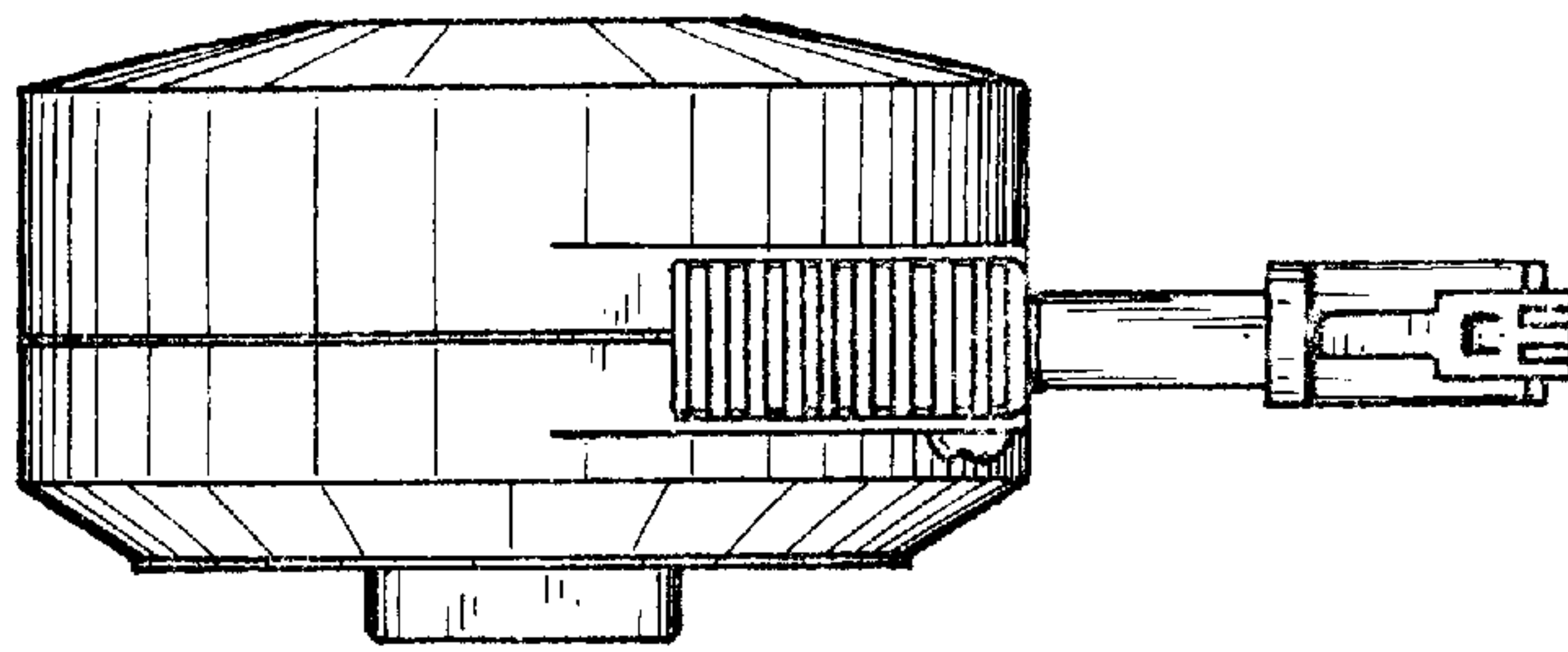


FIG. 1

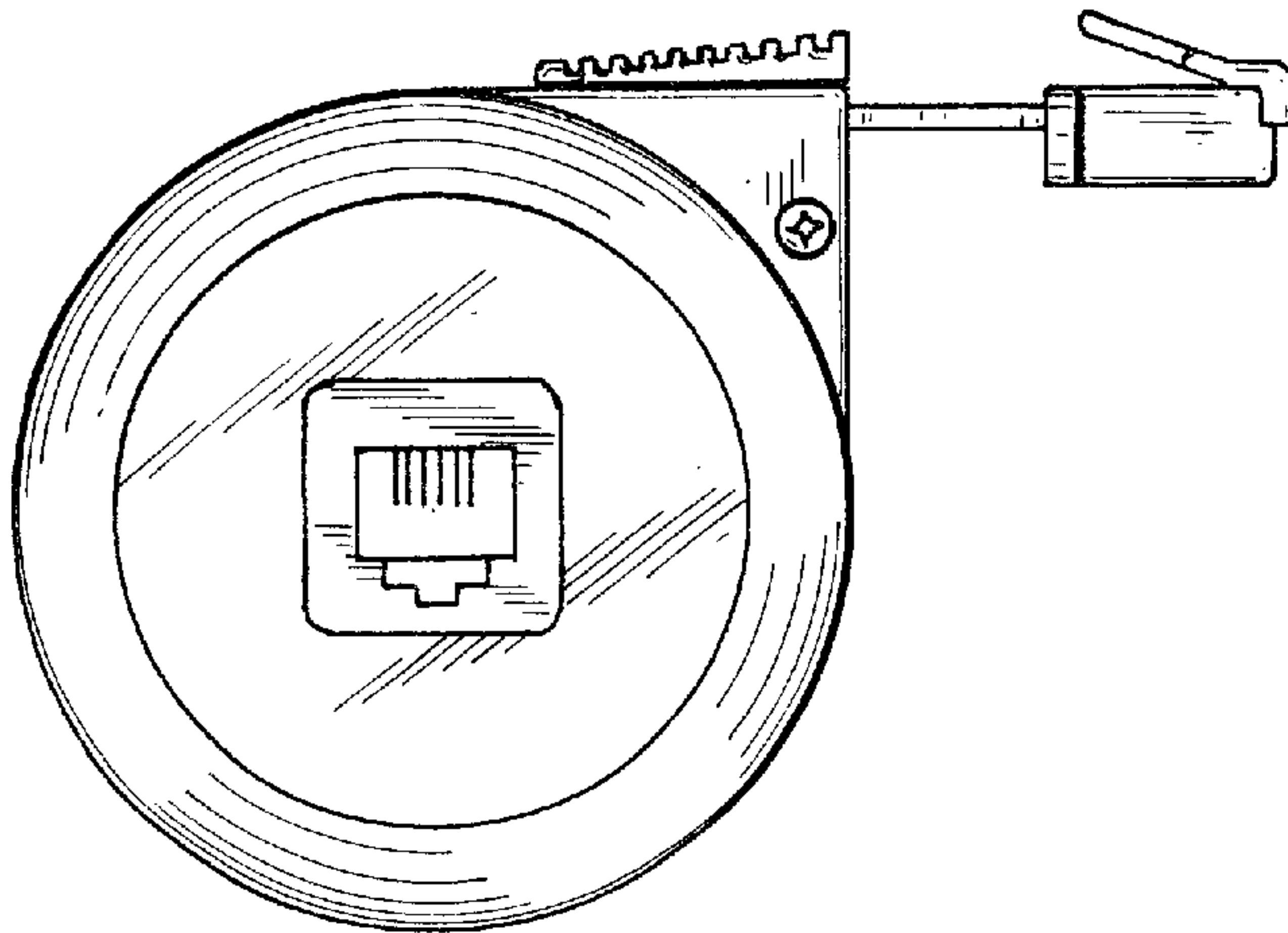


FIG. 2

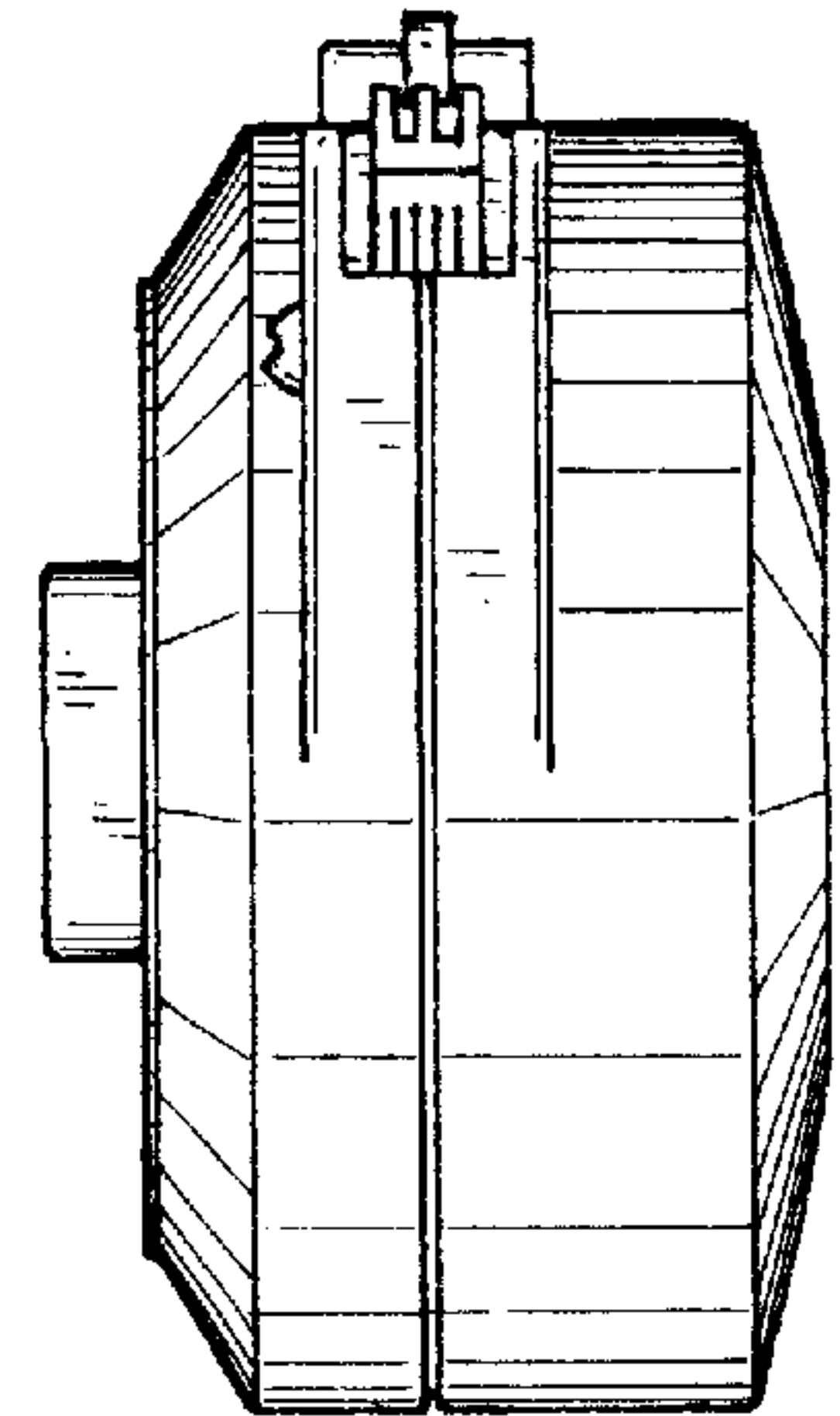


FIG. 3

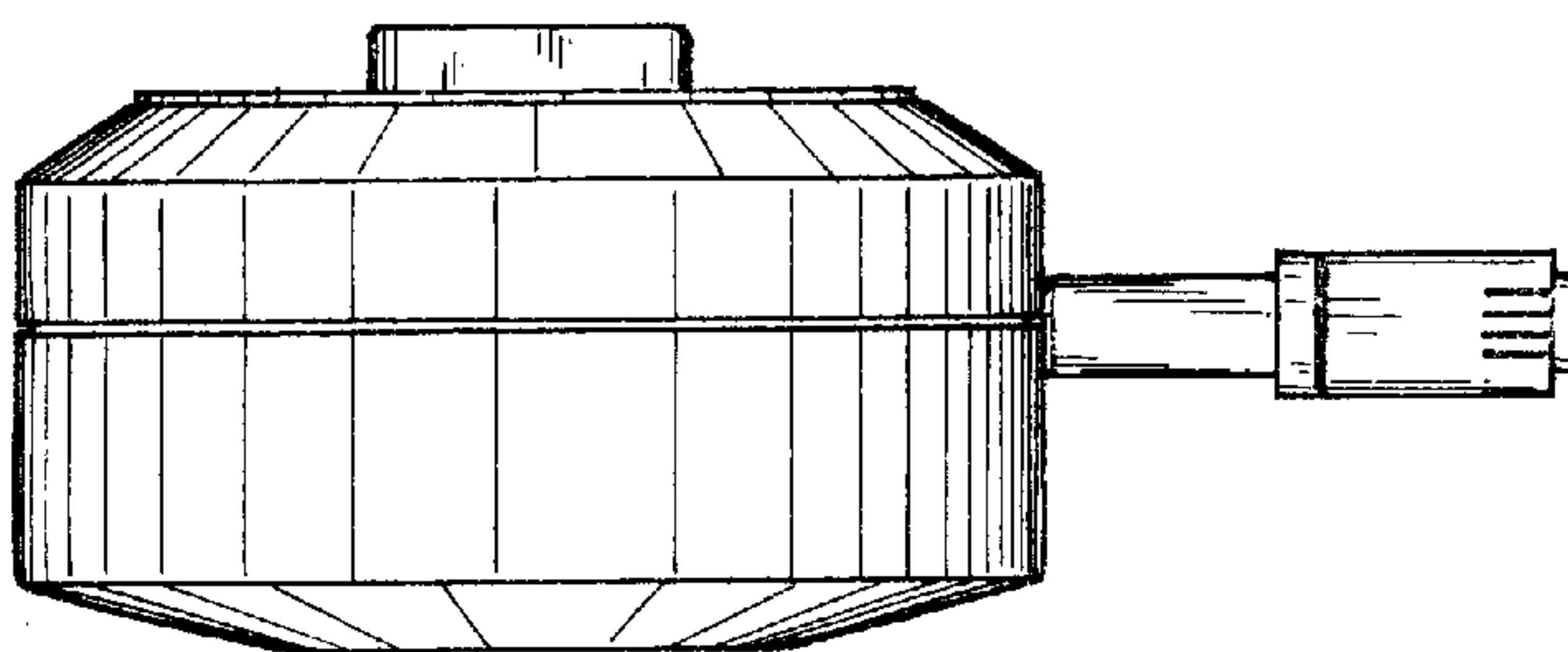


FIG. 4

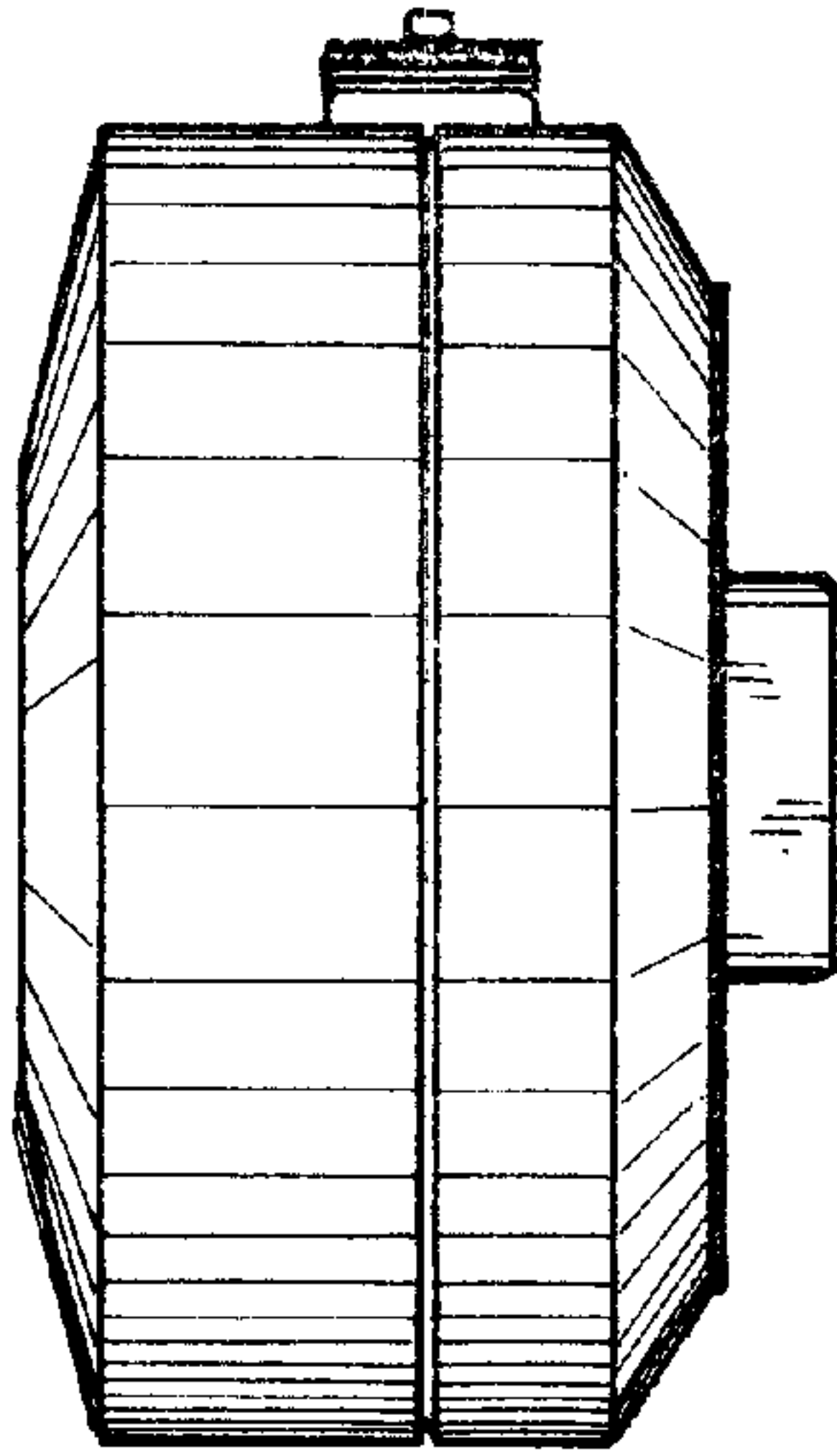


FIG. 5

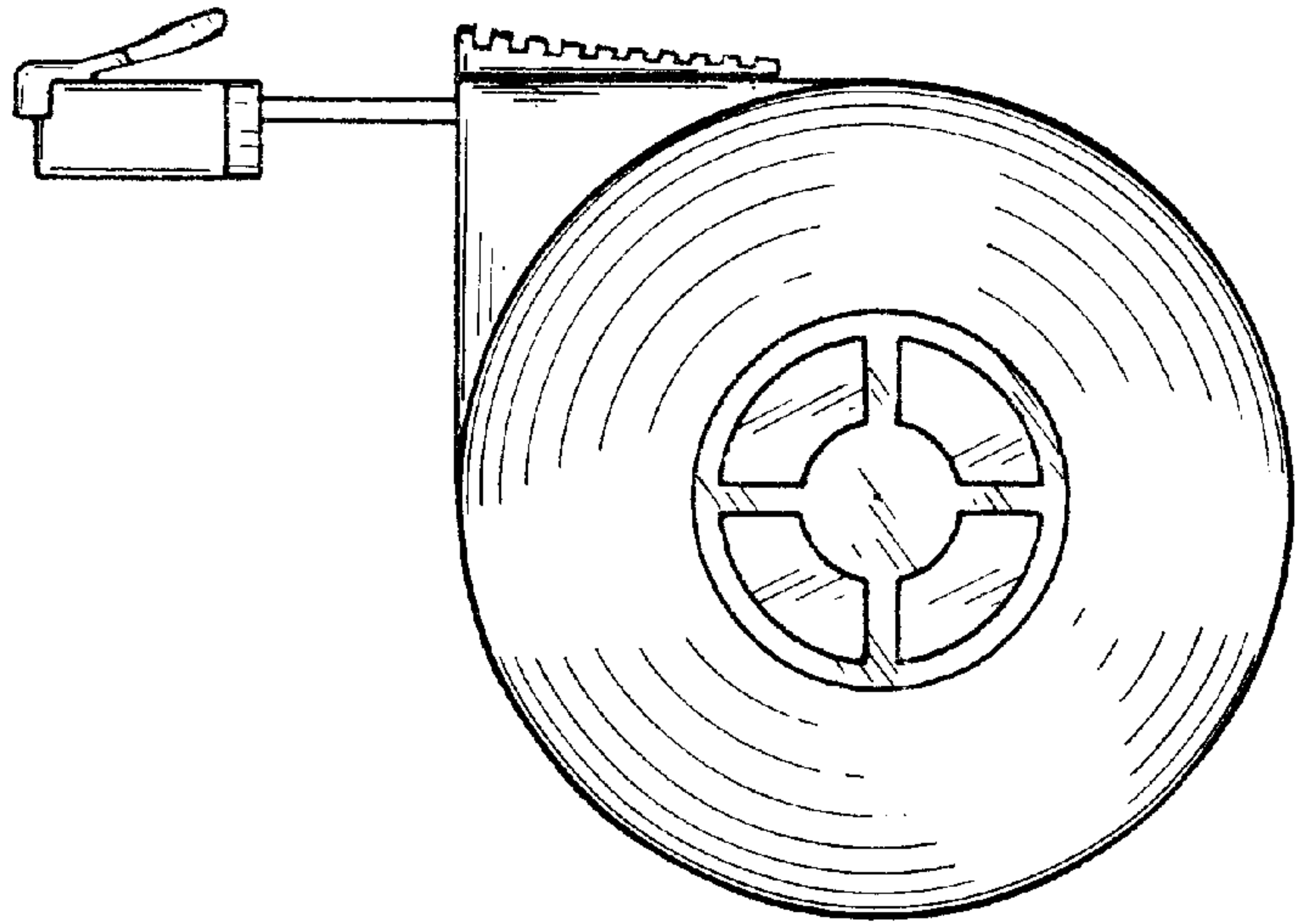


FIG. 6

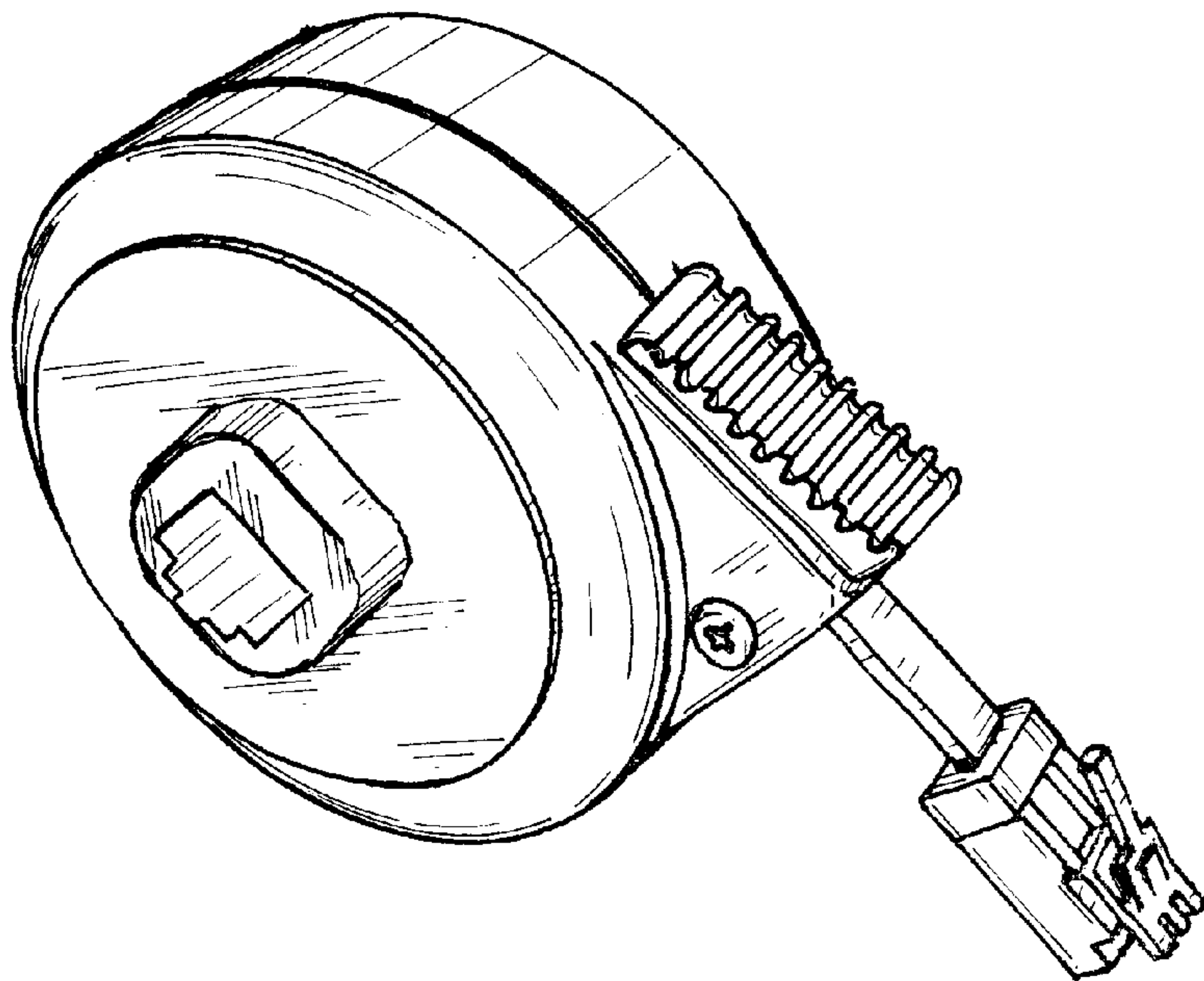


FIG. 7