



US00D449973B1

(12) **United States Design Patent**
Ferrer Beltrán

(10) **Patent No.:** **US D449,973 S**

(45) **Date of Patent:** **** Nov. 6, 2001**

(54) **SUPPORT BRACKET FOR A SHALLOW DEEP BASIN**

3,428,968 * 2/1969 Ory, Jr. et al. 4/648

* cited by examiner

(75) Inventor: **Jose M^aFerrer Beltrán**, Bonrepos (ES)

Primary Examiner—Holly Baynham

(73) Assignee: **Ibergesfer, S.A.** (ES)

(74) *Attorney, Agent, or Firm*—Lackebach Siegel

(**) Term: **14 Years**

(57) **CLAIM**

(21) Appl. No.: **29/129,010**

The ornamental design for a support bracket for a shallow deep basin, as shown.

(22) Filed: **Sep. 1, 2000**

(30) **Foreign Application Priority Data**

DESCRIPTION

Mar. 2, 2000 (ES) 147760

(51) **LOC (7) Cl.** **08-05**

FIG. 1 is a perspective view of my support bracket for a washbasin, taken from the top and left side thereof;

(52) **U.S. Cl.** **D8/354**

FIG. 2 is a left side elevational view thereof (the right side being a mirror image);

(58) **Field of Search** D8/354, 349; 248/300, 248/309.1; 4/648

FIG. 3 is a rear view thereof; and,

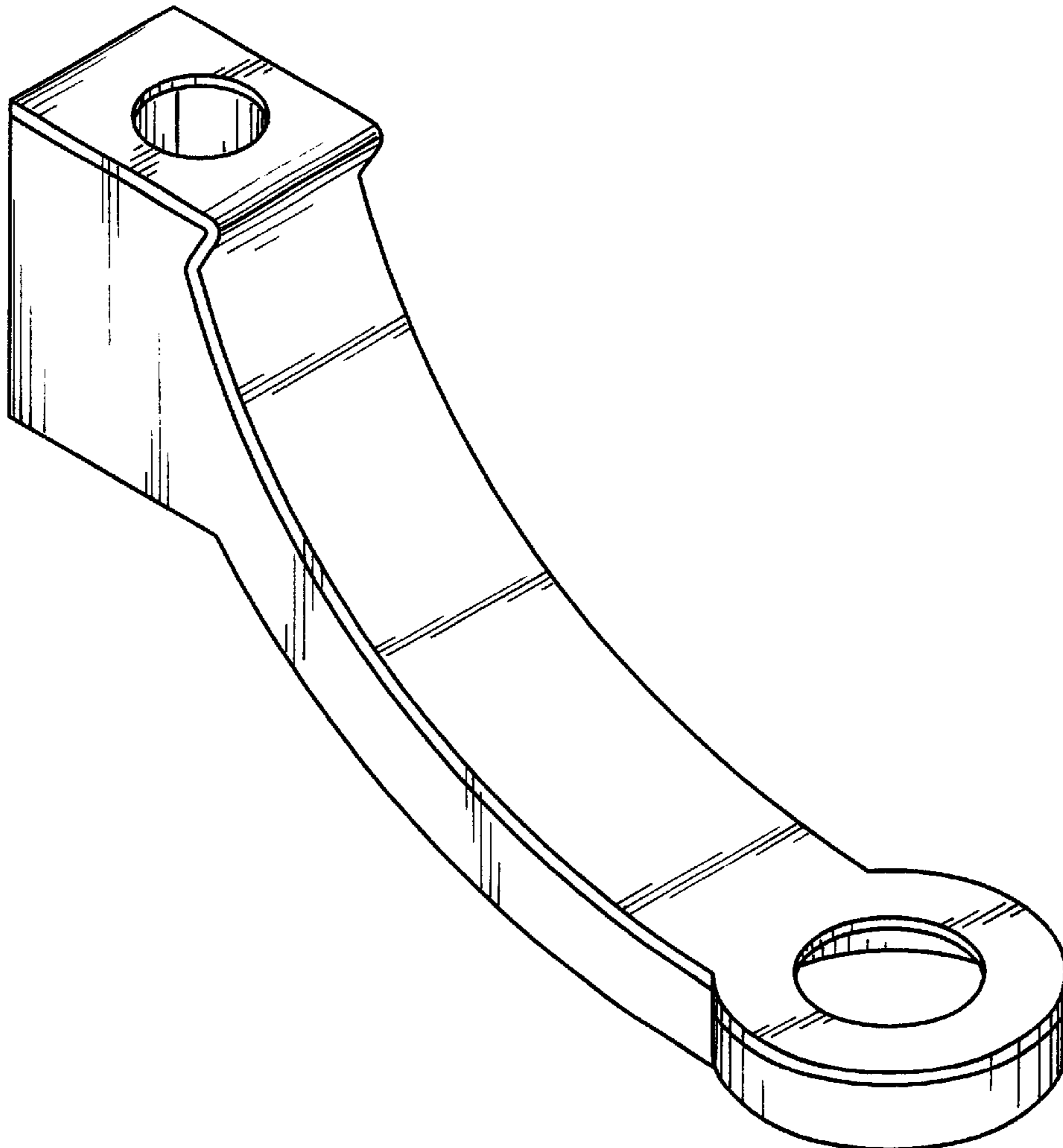
FIG. 4 is a bottom view thereof.

(56) **References Cited**

U.S. PATENT DOCUMENTS

D. 325,866 * 5/1992 Gary D8/354

1 Claim, 2 Drawing Sheets



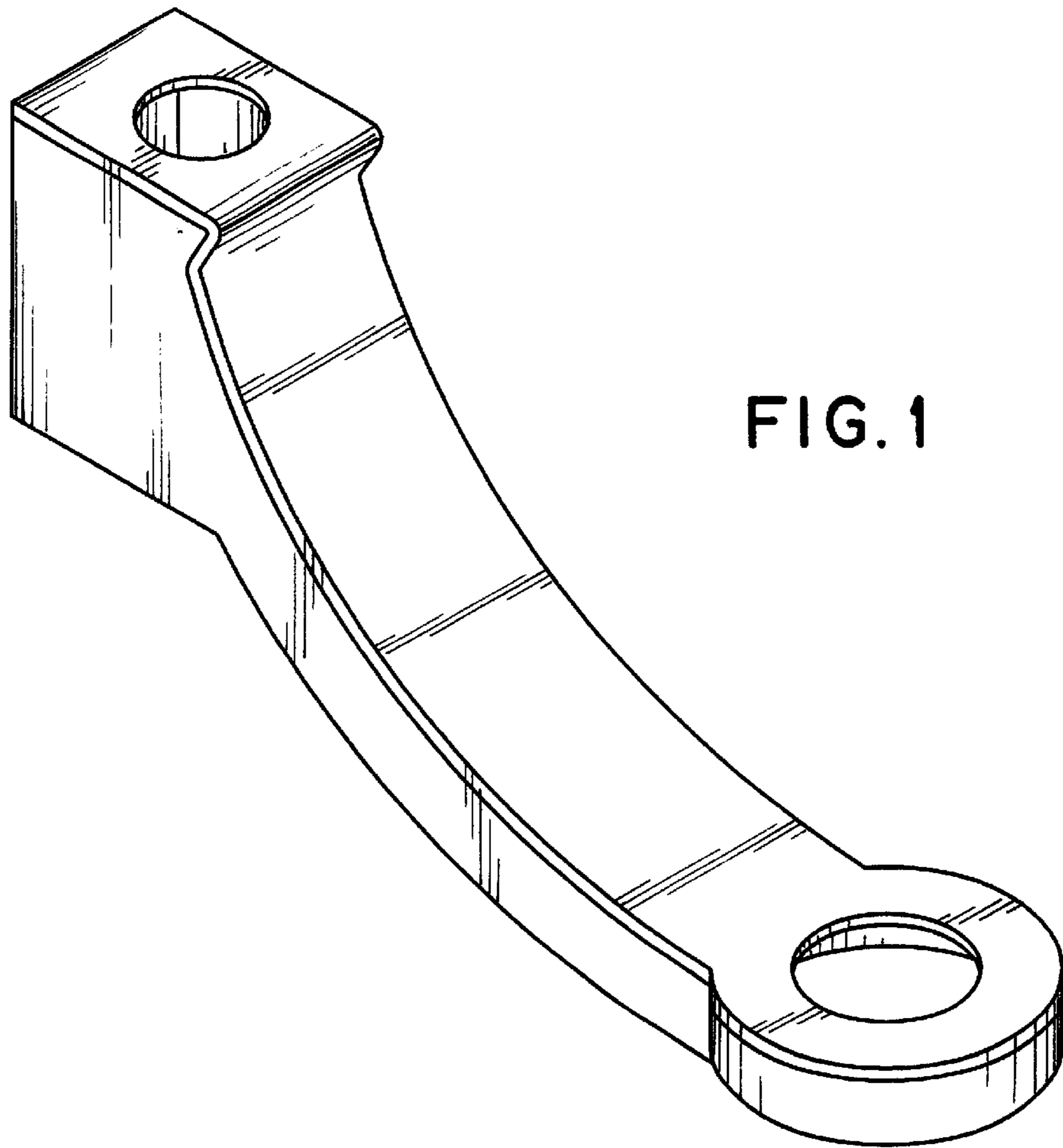


FIG. 1

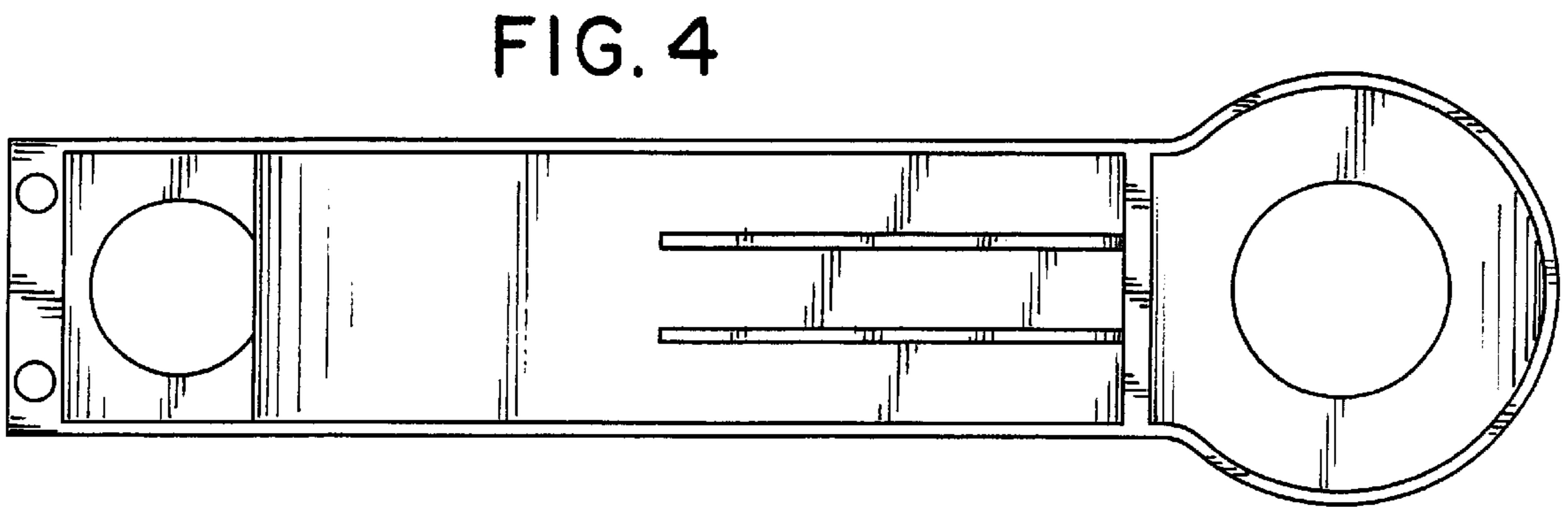


FIG. 4

FIG.3

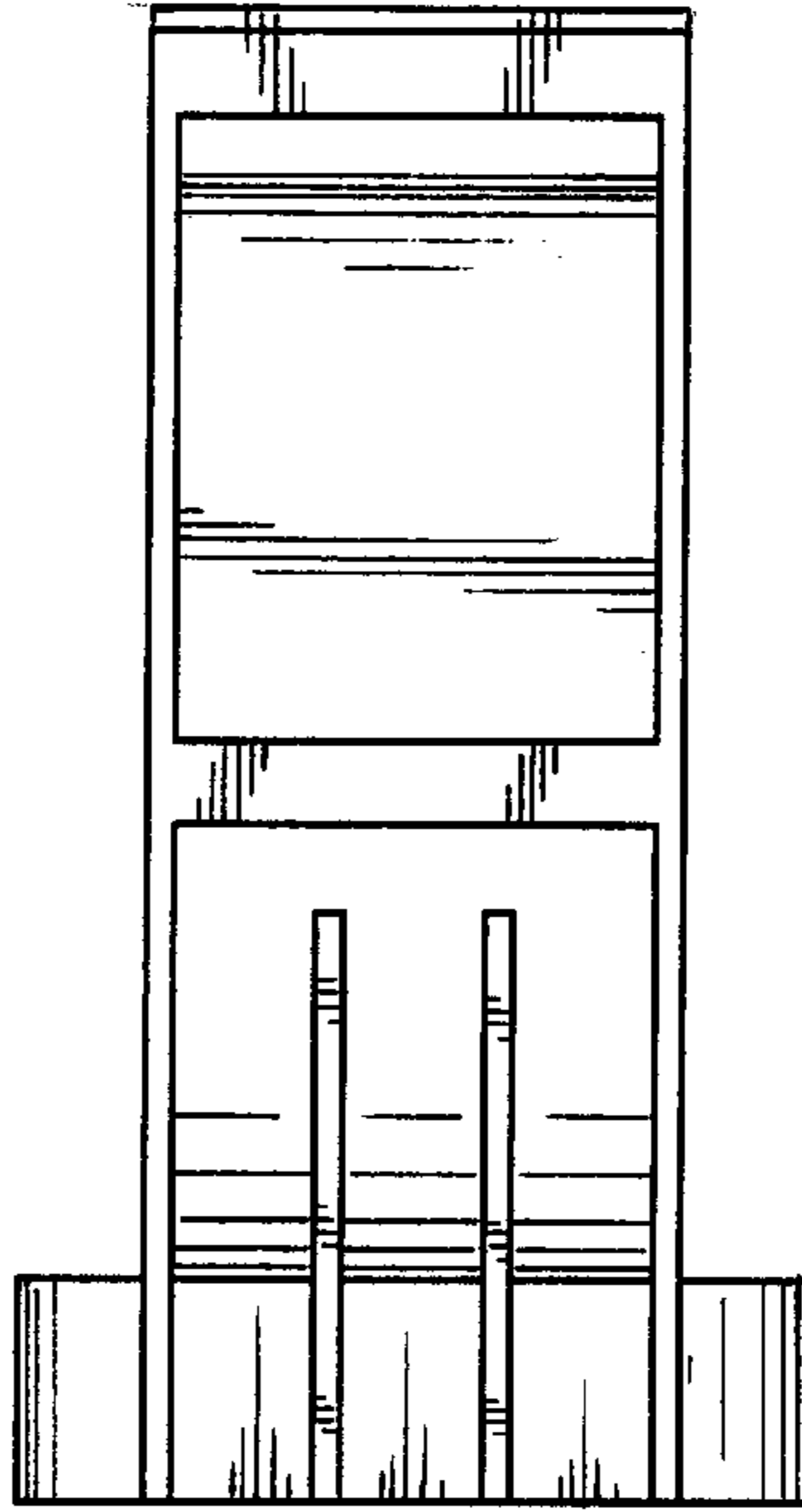


FIG.2

