



US00D449972B1

(12) **United States Design Patent**
Newman

(10) **Patent No.:** **US D449,972 S**

(45) **Date of Patent:** **** Nov. 6, 2001**

(54) **ELASTOMERIC MOUNTING**

5,074,535 * 12/1991 Colford 267/293

(75) Inventor: **Donald James Newman**, Broughton
Astley (GB)

* cited by examiner

(73) Assignee: **BTR Industries Limited**, London (GB)

Primary Examiner—Holly Baynham

(74) *Attorney, Agent, or Firm*—Young & Thompson

(**) Term: **14 Years**

(57) **CLAIM**

(21) Appl. No.: **29/116,140**

The ornamental design for an elastomeric mounting, as shown and described.

(22) Filed: **Dec. 29, 1999**

(30) **Foreign Application Priority Data**

DESCRIPTION

Jun. 29, 1999 (GB) 2084463

(51) **LOC (7) Cl.** **08-05**

(52) **U.S. Cl.** **D8/354**

(58) **Field of Search** D8/349, 354; 267/293,
267/140.5, 140.13

FIG. 1 is a perspective view of an elastomeric mounting showing my new design, all the perspective views taken at 90°, 180°, and 270° therefrom being identical thereto;

FIG. 2 is a side elevational view thereof, the side elevational views taken at 90°, 180°, and 270° therefrom being identical thereto;

FIG. 3 is a top plan view thereof; and,

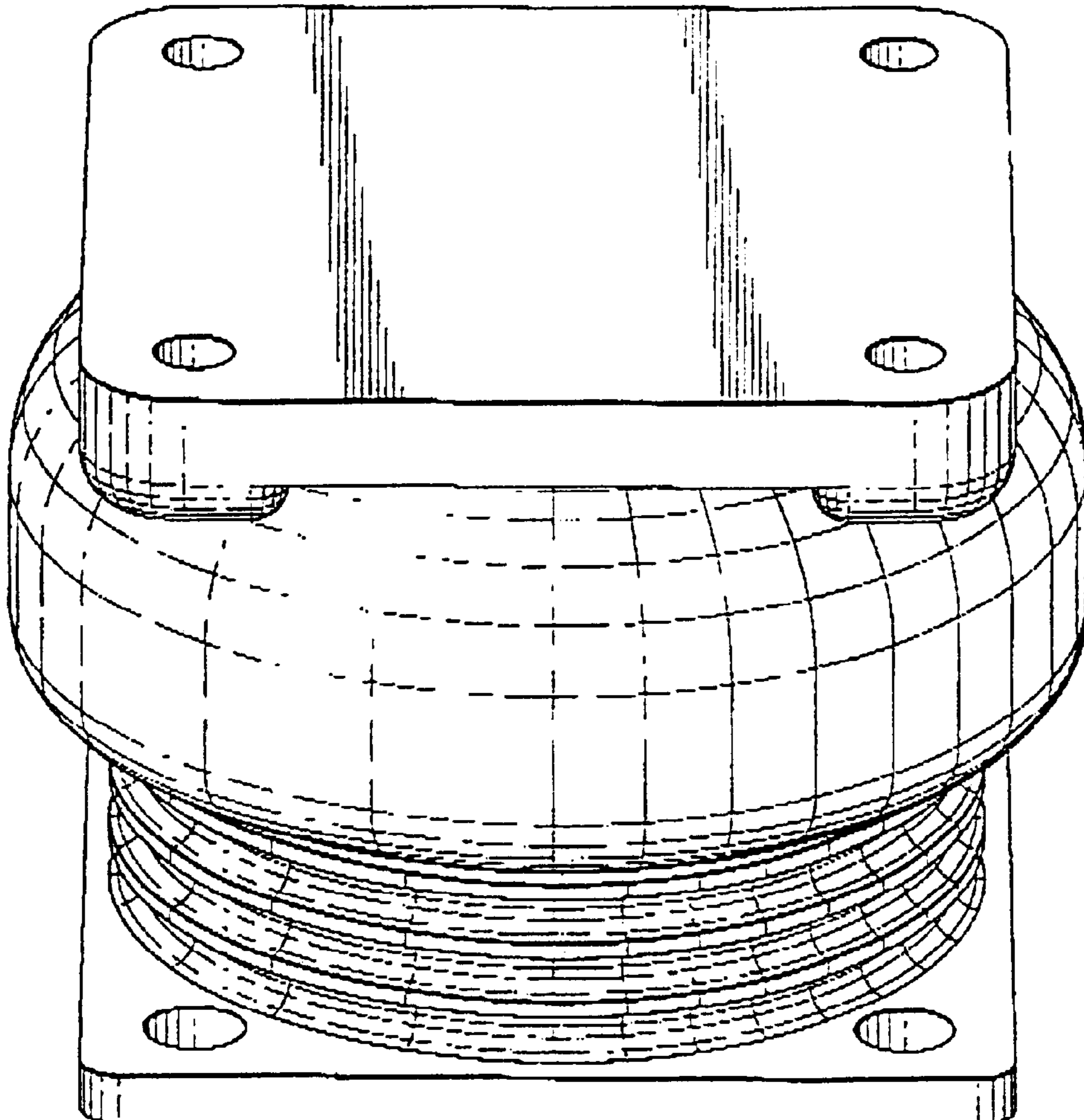
FIG. 4 is a bottom plan view thereof.

(56) **References Cited**

U.S. PATENT DOCUMENTS

4,858,896 * 8/1989 Colford 248/140.3

1 Claim, 4 Drawing Sheets



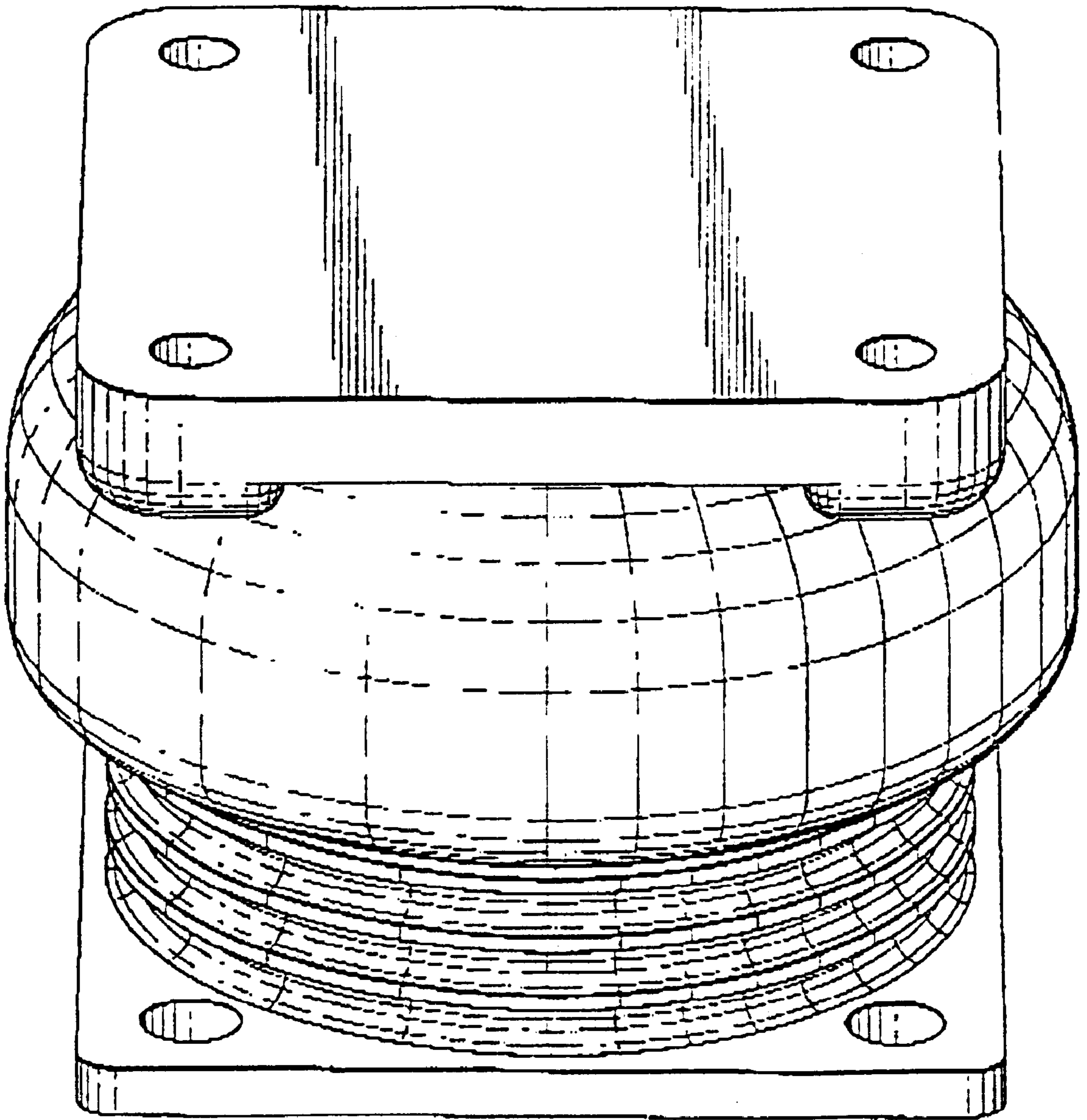


Fig. 1

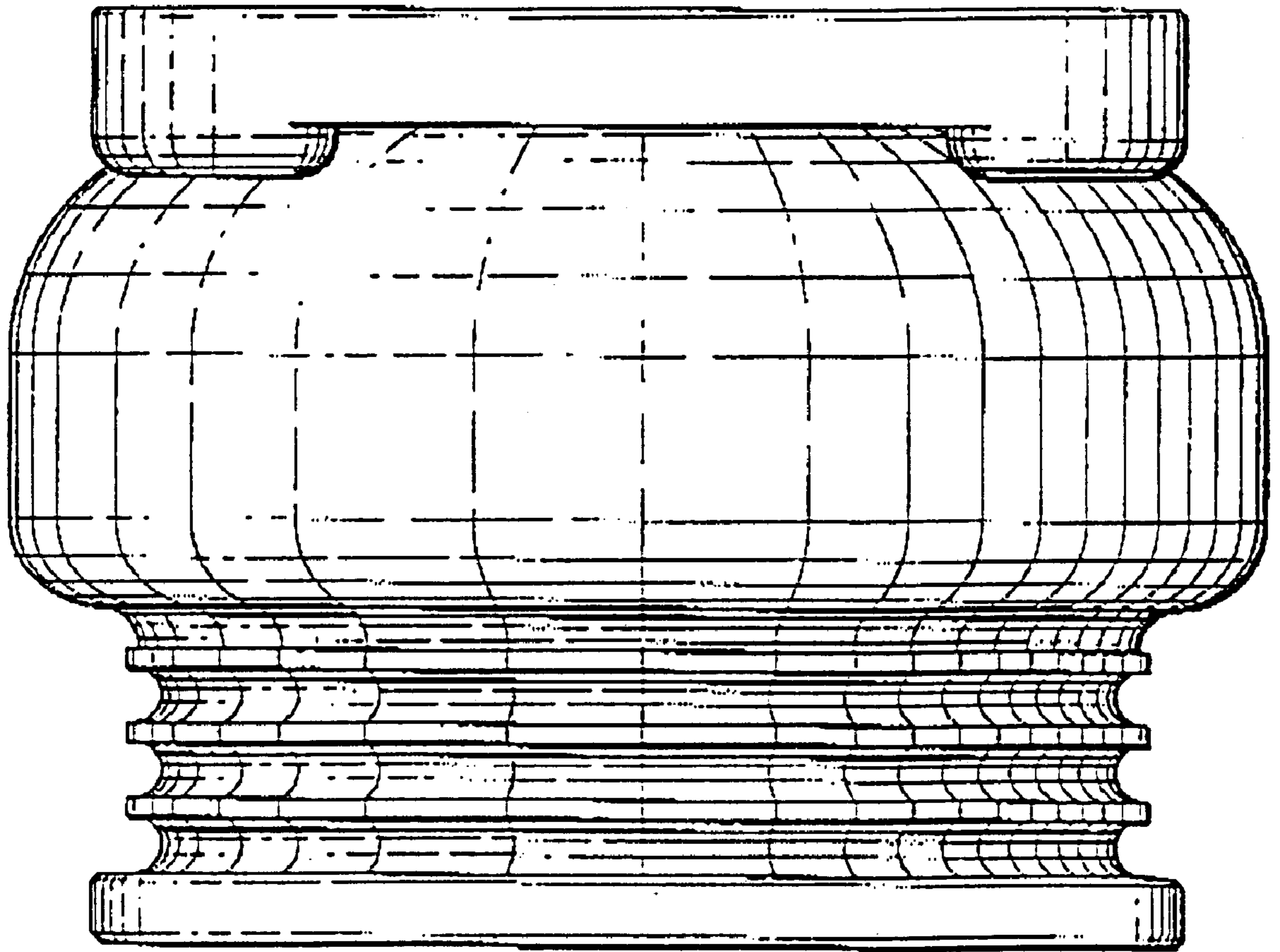


Fig. 2

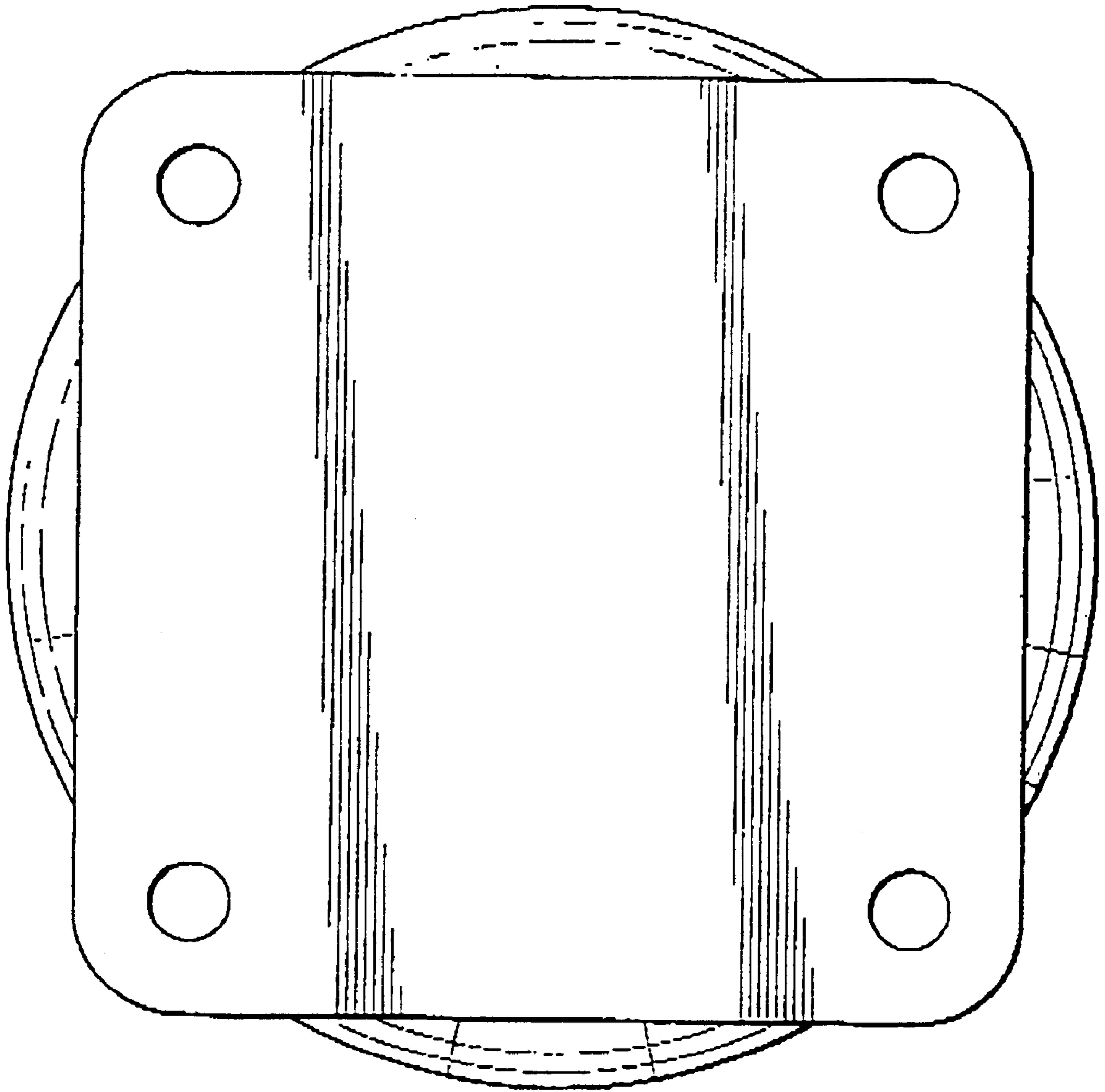


Fig. 3

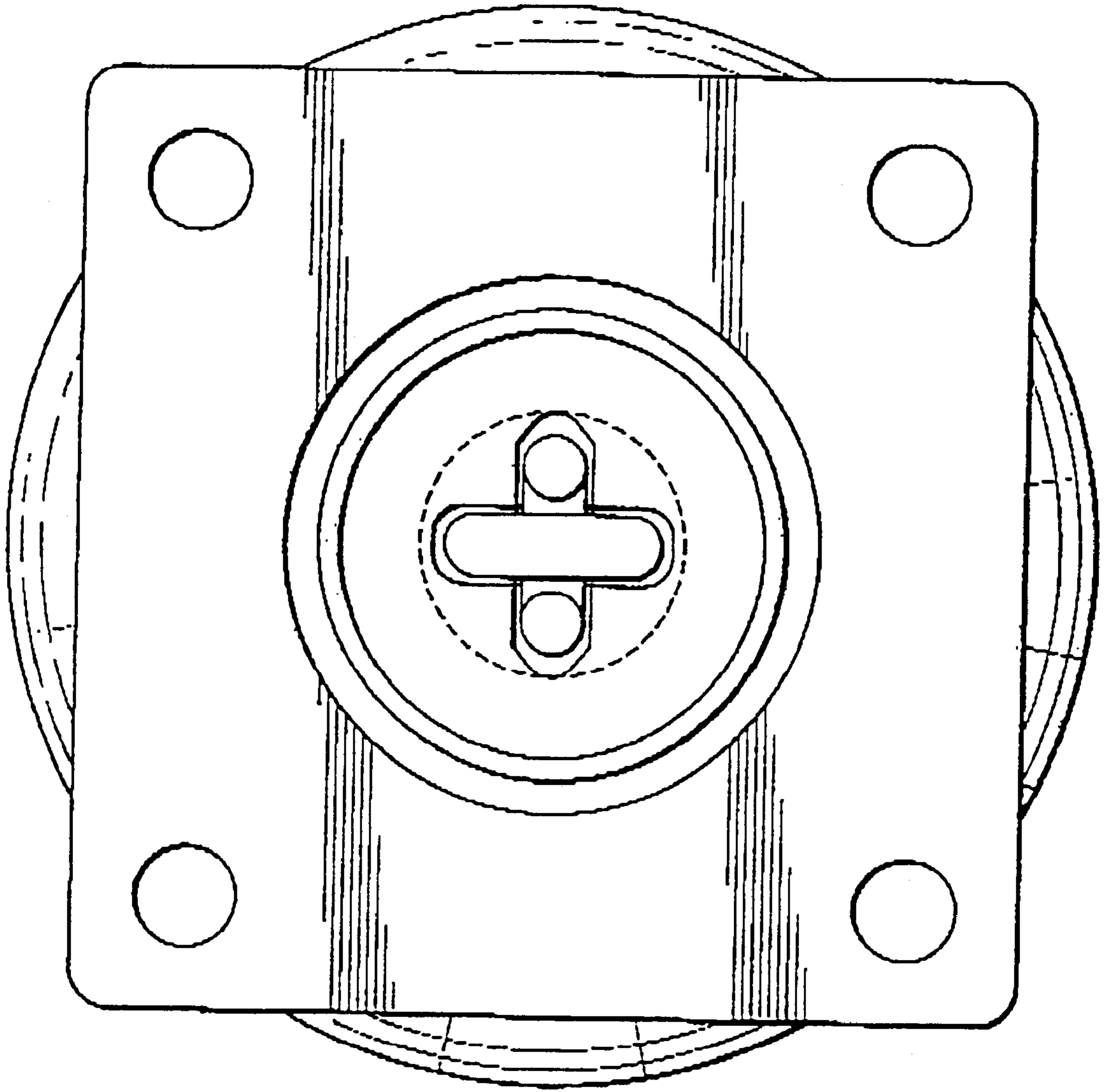


Fig. 4