



US00D449970B1

(12) **United States Design Patent**  
**Reed**

(10) **Patent No.:** **US D449,970 S**

(45) **Date of Patent:** **\*\* Nov. 6, 2001**

(54) **LOCKOUT HASP**

5,743,116 4/1998 Suster ..... 70/14  
5,881,582 3/1999 Monaco ..... 70/14

(76) Inventor: **Terry L. Reed**, 805 W. Rollin,  
Edgerton, WI (US) 53534

\* cited by examiner

(\*\*) Term: **14 Years**

*Primary Examiner*—Jennifer Rivard  
(74) *Attorney, Agent, or Firm*—Whyte Hirschboeck Dudek  
SC

(21) Appl. No.: **29/120,797**

(22) Filed: **Mar. 27, 2000**

(57) **CLAIM**

(51) **LOC (7) Cl.** ..... **08-07**

The ornamental design for a lockout hasp, as shown and described.

(52) **U.S. Cl.** ..... **D8/333; D8/343**

(58) **Field of Search** ..... D8/330, 331, 333,  
D8/336, 339, 343, 345; 70/2, 14, 19, 23,  
24, 29, DIG. 63; 292/281, 285, 307 R,  
319, 320

**DESCRIPTION**

(56) **References Cited**

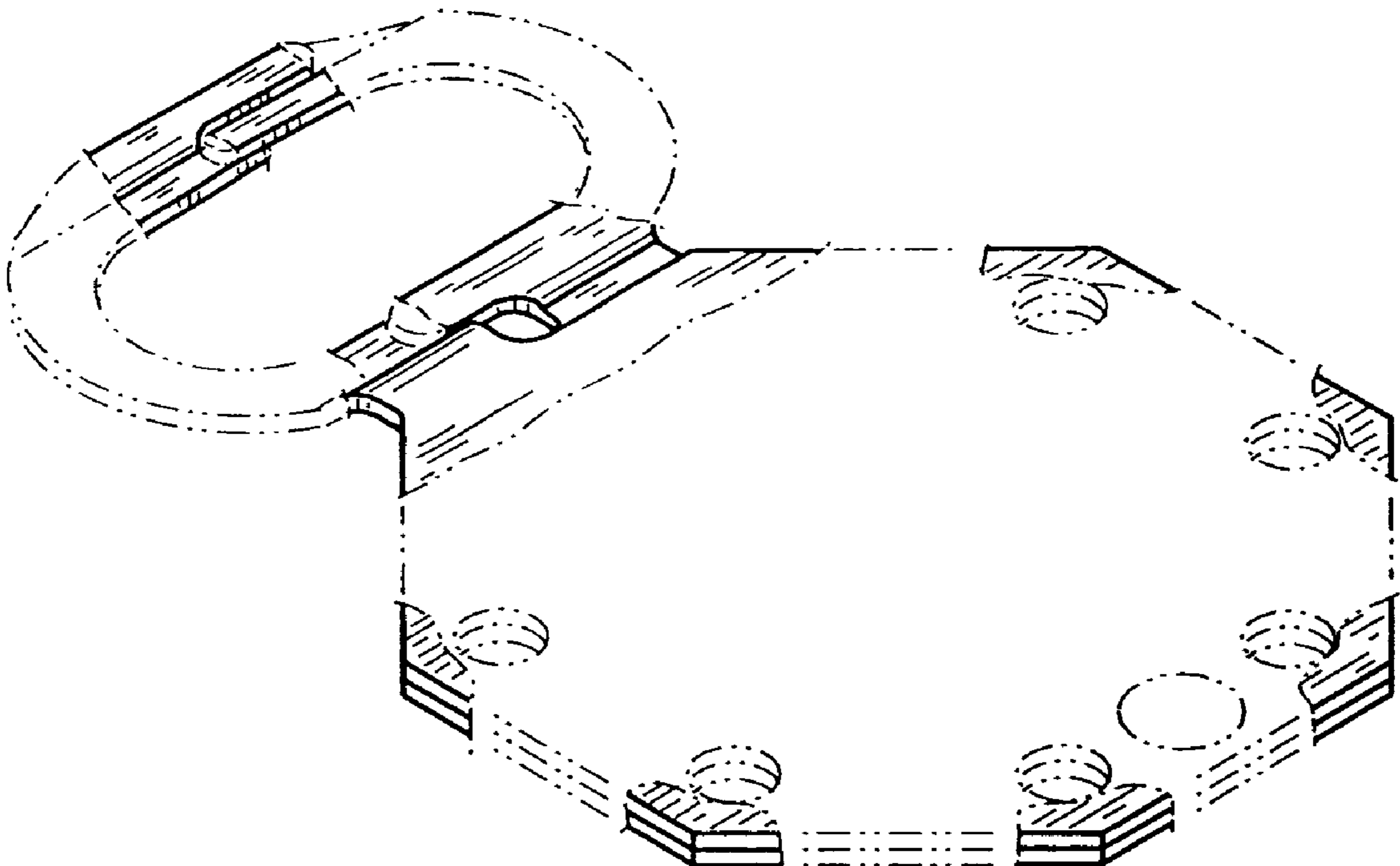
**U.S. PATENT DOCUMENTS**

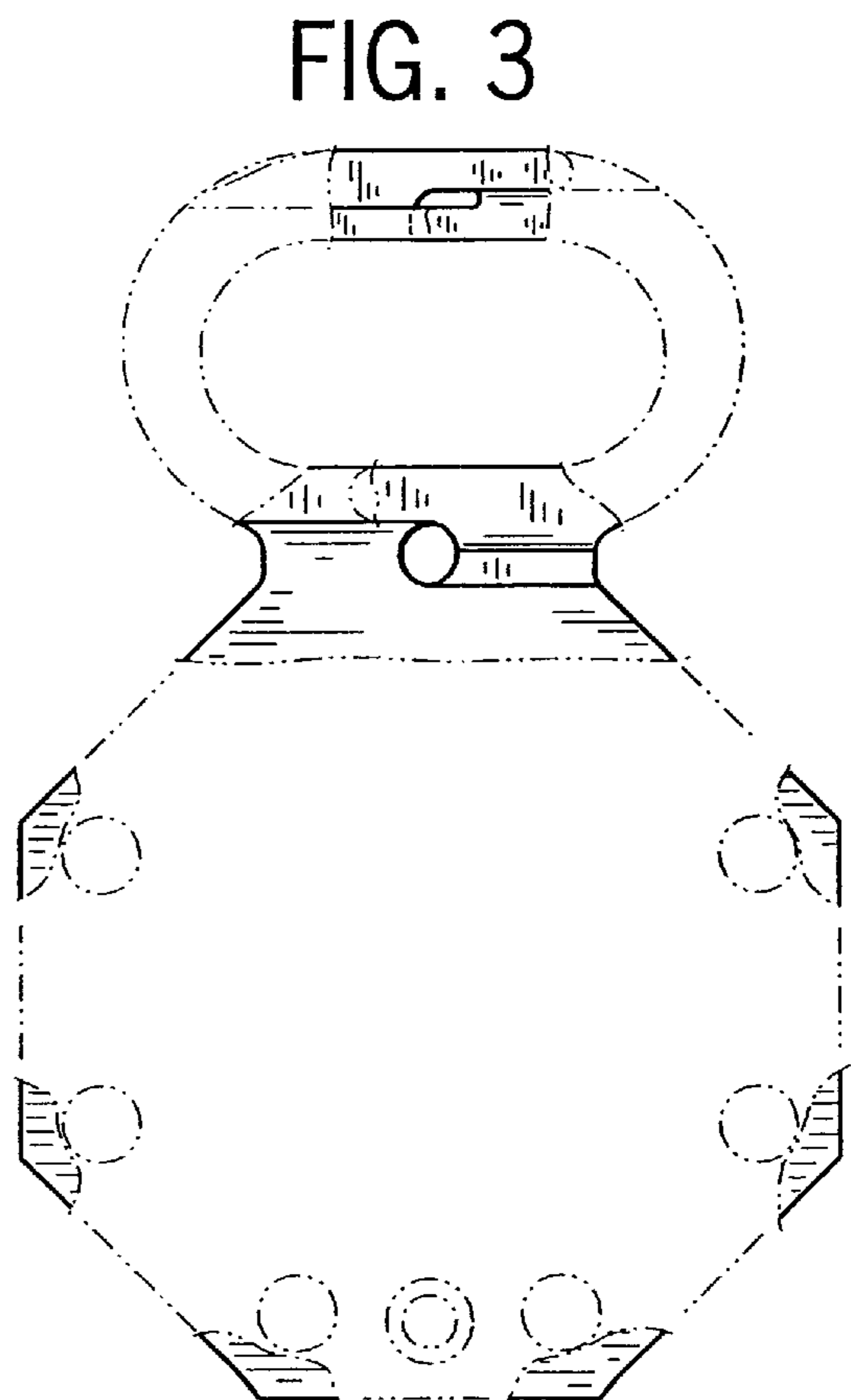
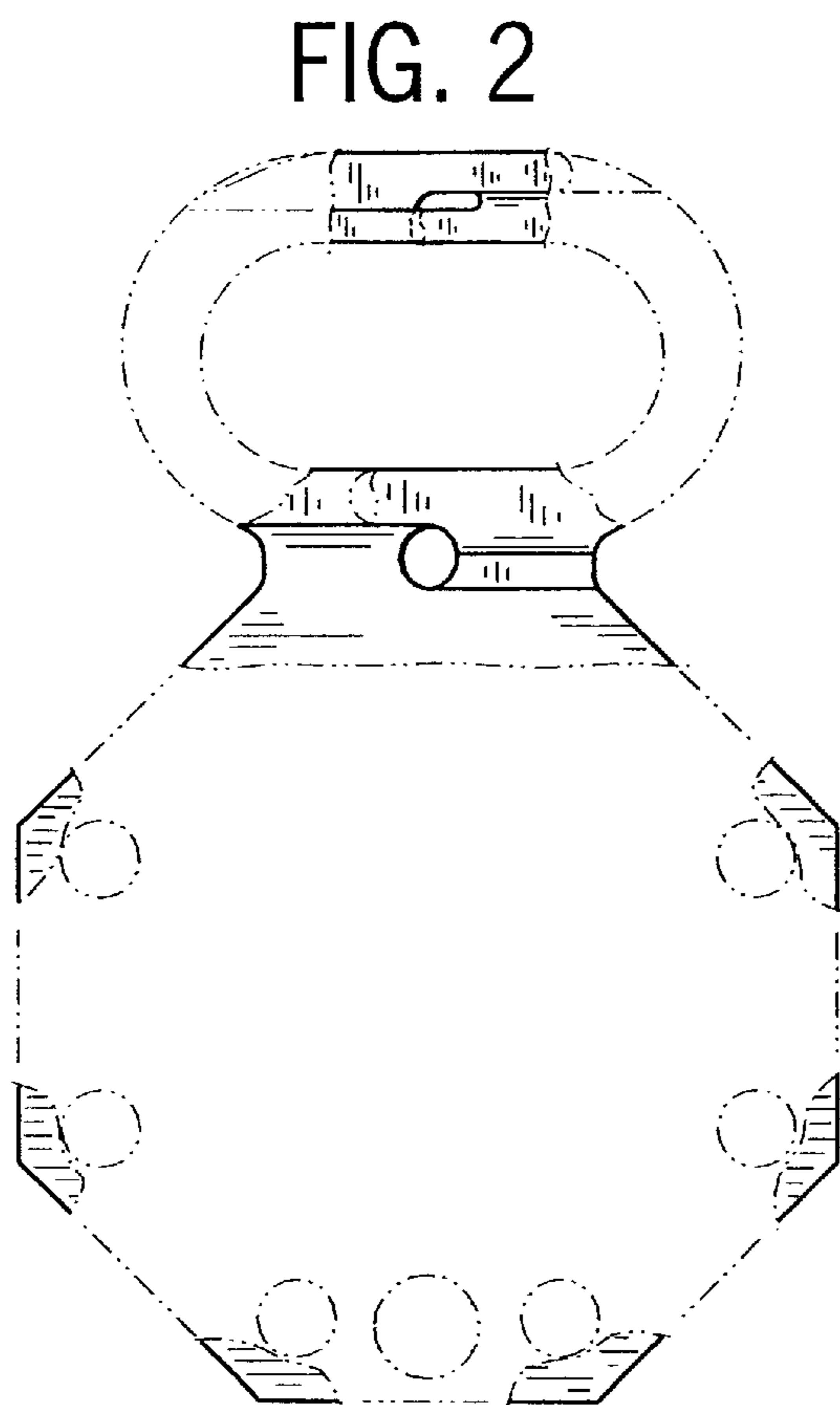
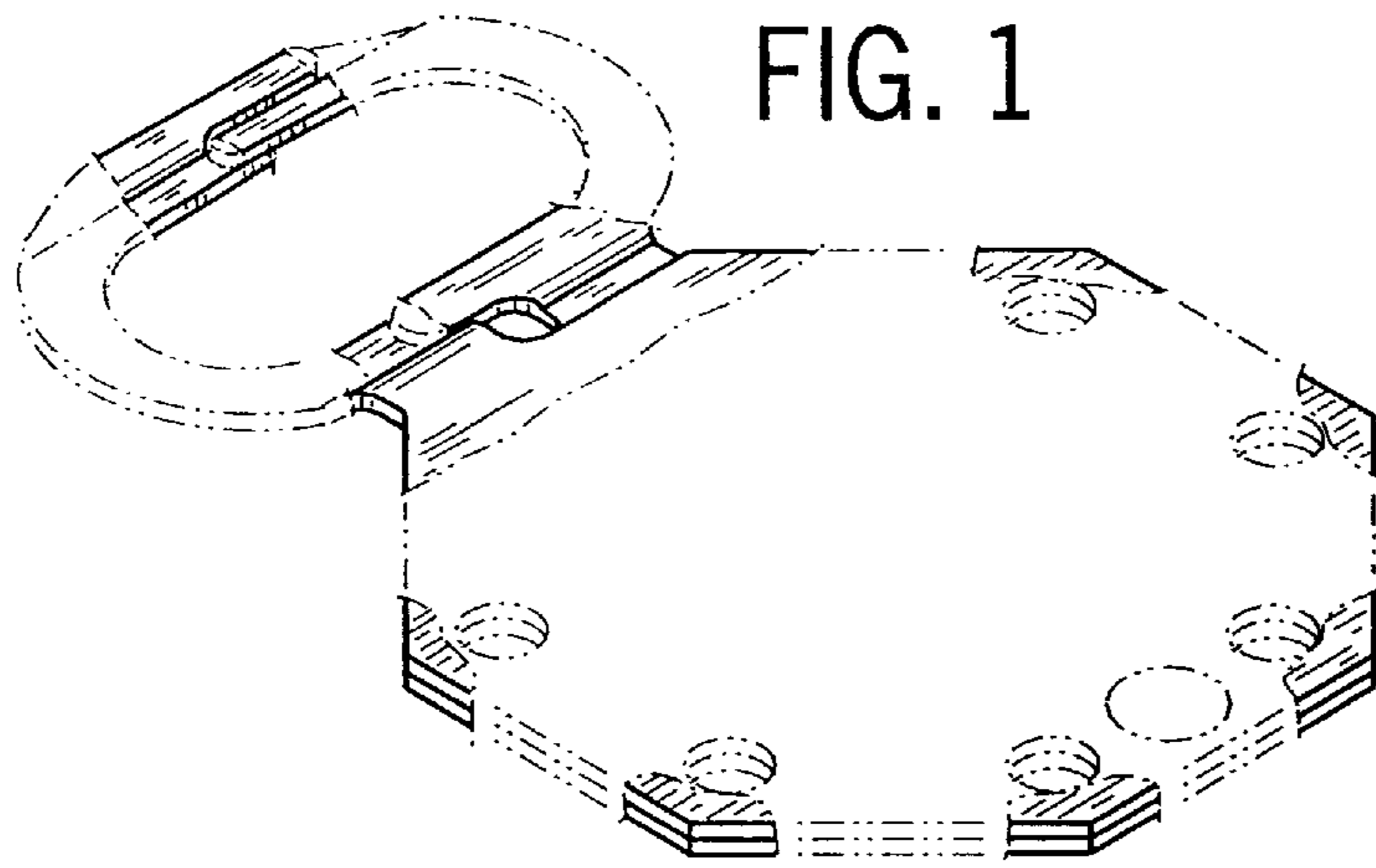
D. 332,043	12/1992	Linhart	.....	D8/333
D. 415,949	11/1999	Reed	.....	D8/333
1,233,145	7/1917	Thomas	.	
3,667,259	* 6/1972	Reque et al.	.....	70/14
4,085,599	* 4/1978	Fischer et al.	.....	70/14
5,020,342	* 6/1991	Doan et al.	.....	70/14
5,167,135	* 12/1992	Gobeski	.....	70/14
5,582,042	12/1996	Mordick	.....	70/14

FIG. 1 is a perspective view of a lockout hasp showing my new design;  
FIG. 2 is a front elevational view thereof;  
FIG. 3 is a rear elevational view thereof;  
FIG. 4 is a right side elevational view thereof;  
FIG. 5 is a left side elevational view thereof;  
FIG. 6 is a top plan view thereof; and,  
FIG. 7 is a bottom plan view thereof.

The broken lines immediately adjacent the shaded areas represent the bounds of the claim and all other broken lines are for illustrative purposes only. None of the broken lines forms a part of the claimed design.

**1 Claim, 2 Drawing Sheets**





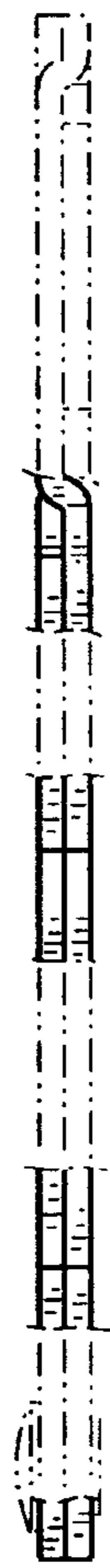


FIG. 4



FIG. 5

