



US00D449969B1

(12) **United States Design Patent**
Pretzell

(10) **Patent No.:** **US D449,969 S**

(45) **Date of Patent:** **** Nov. 6, 2001**

(54) **SOLDER GUN**

4,435,635 * 3/1984 Parker 219/227
5,938,536 * 7/1999 Lee 219/229

(75) Inventor: **Peter Pretzell**, Bochum (DE)

* cited by examiner

(73) Assignee: **Lidl Stiftung & Co KG** (DE)

Primary Examiner—Philip S. Hyder

(**) Term: **14 Years**

(74) *Attorney, Agent, or Firm*—Morgan & Finnegan, LLP

(21) Appl. No.: **29/126,396**

(57) **CLAIM**

(22) Filed: **Jul. 14, 2000**

The ornamental design for a solder gun, as shown and described.

(51) **LOC (7) Cl.** **08-05**

DESCRIPTION

(52) **U.S. Cl.** **D8/30; D8/29.1**

(58) **Field of Search** D8/30, 29.1; 219/229,
219/233, 227, 236, 237, 238

FIG. 1 is a top plan view of a solder gun, showing my new design;

FIG. 2 is a bottom plan view thereof.

FIG. 3 is a right side elevational view thereof;

FIG. 4 is a left side elevational view thereof;

FIG. 5 is a front elevational view thereof; and,

FIG. 6 is a rear elevational view thereof.

(56) **References Cited**

U.S. PATENT DOCUMENTS

- D. 299,207 * 1/1989 Arehart D8/30
- D. 299,208 * 1/1989 Arehart D8/30
- D. 299,209 * 1/1989 Arehart D8/30

1 Claim, 6 Drawing Sheets

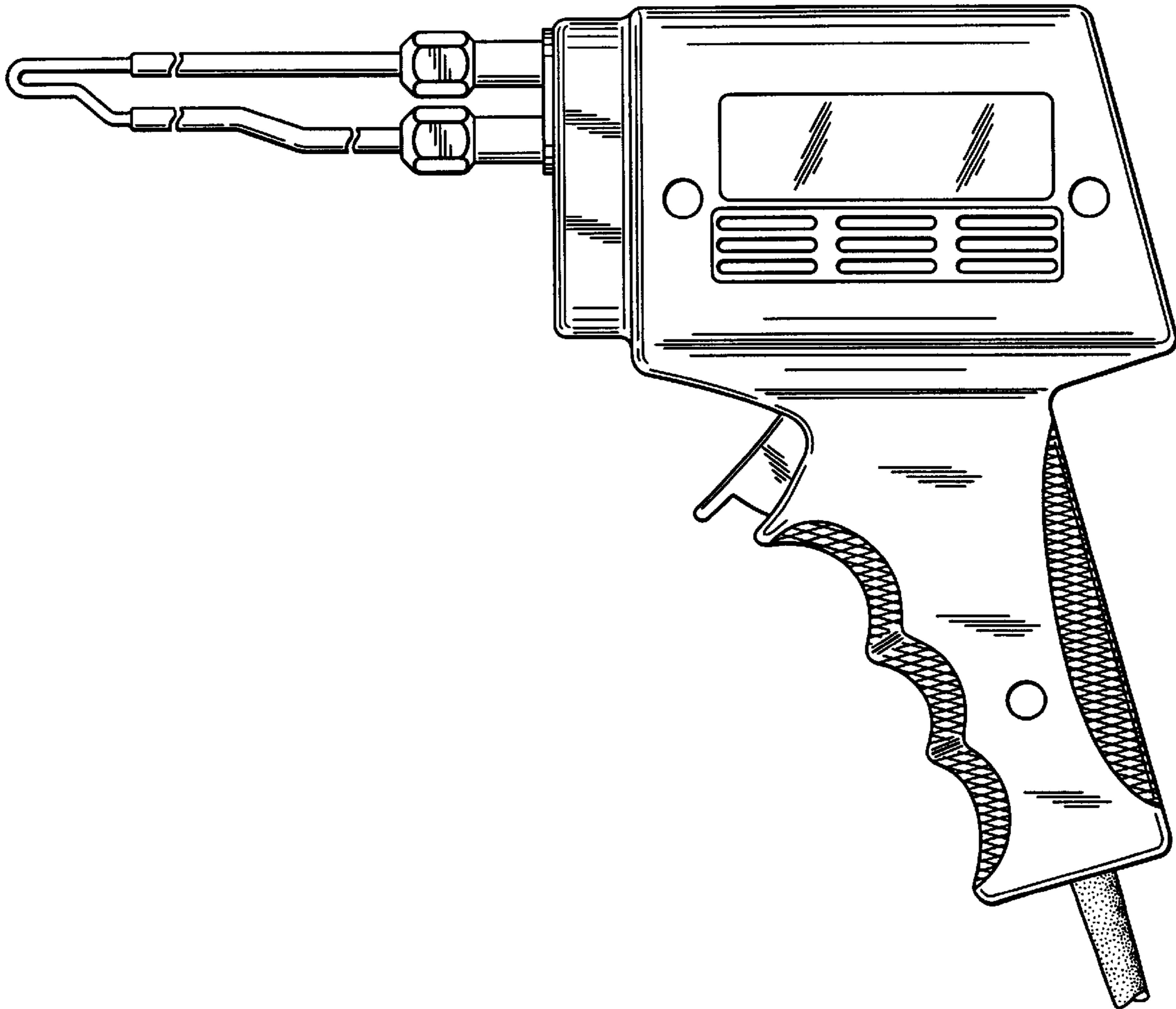


Fig. 1

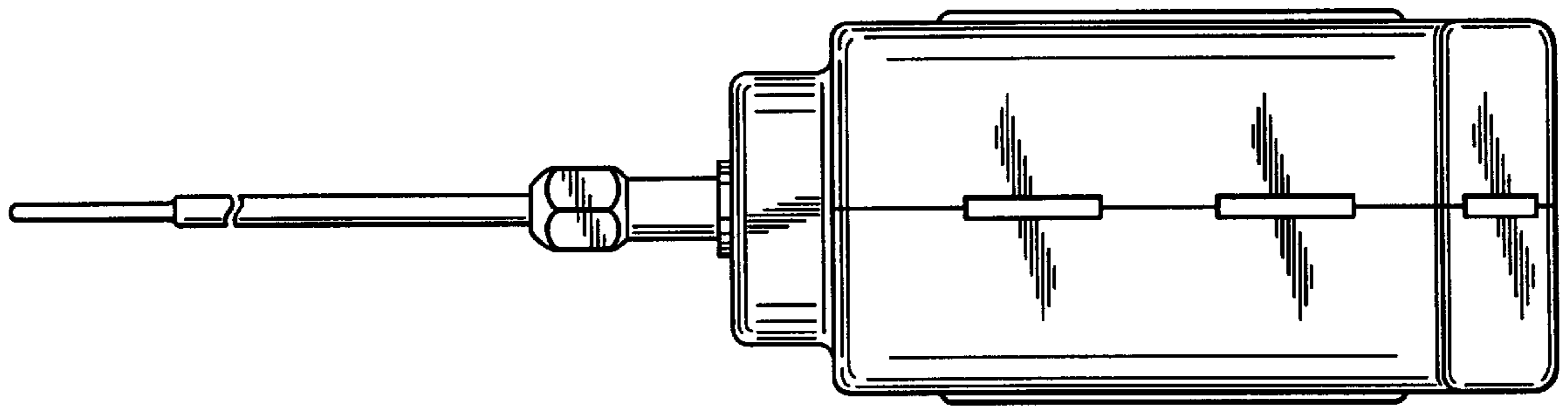
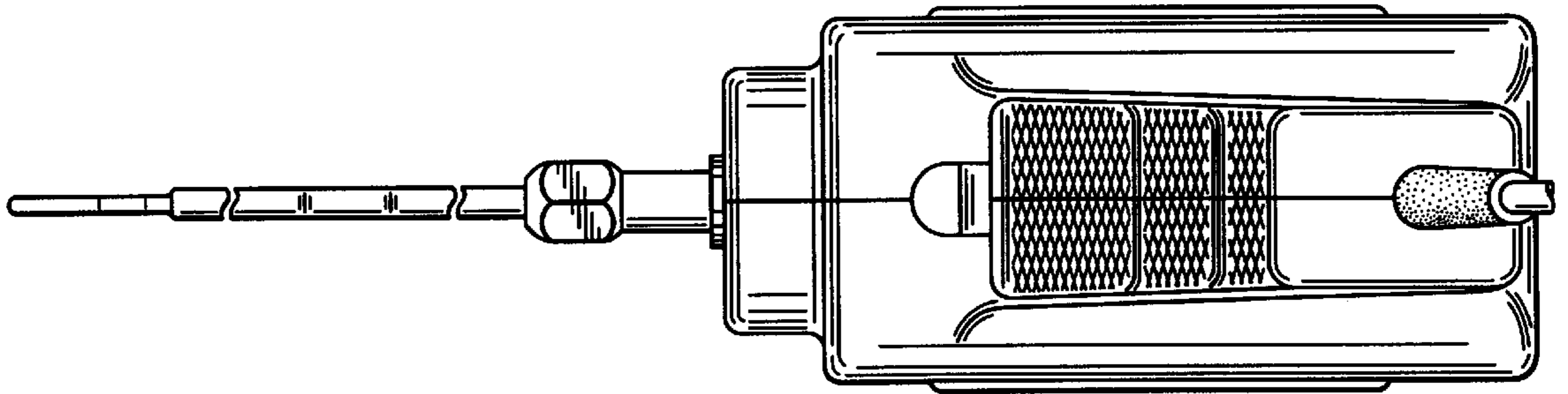
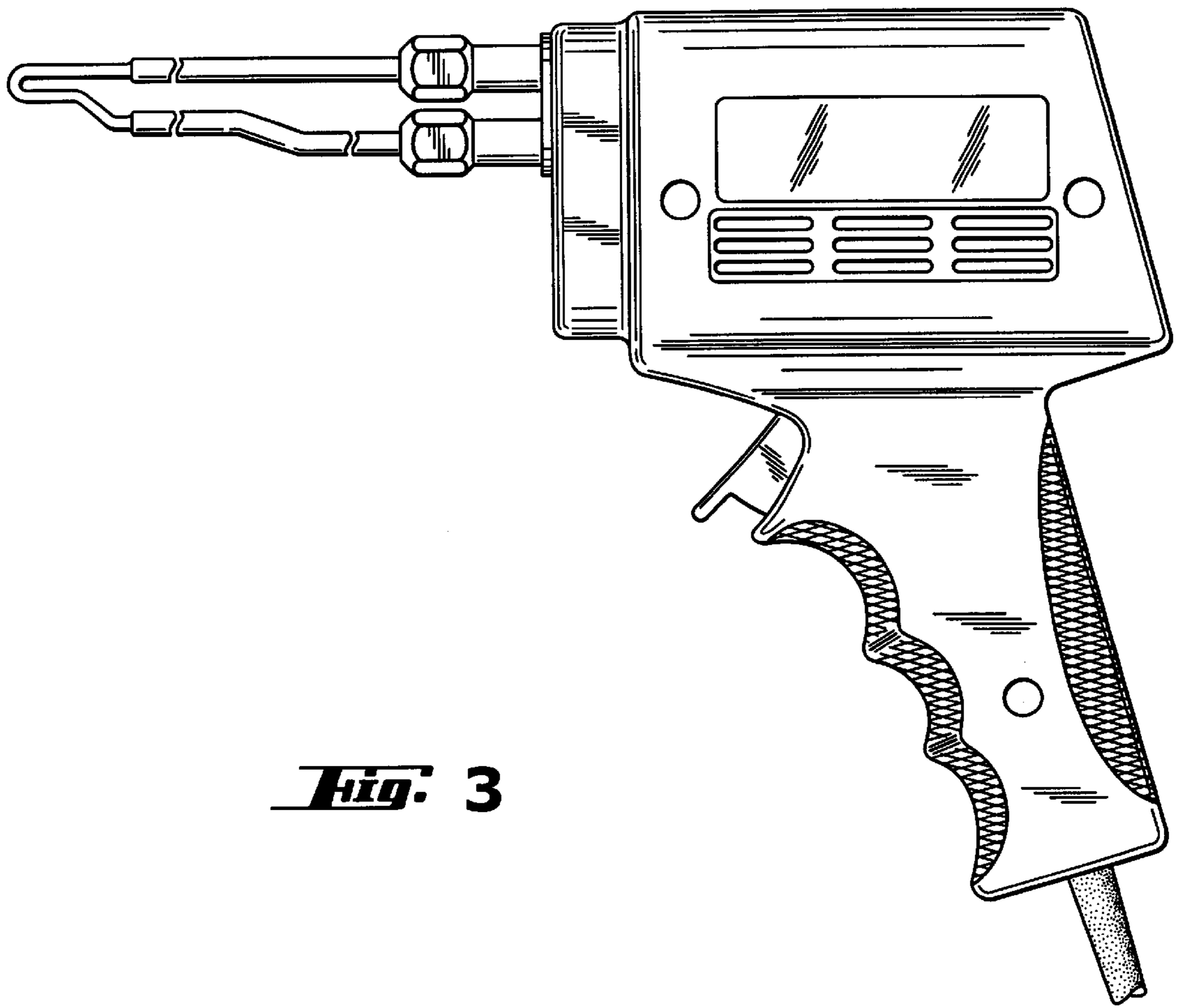


Fig. 2





***Fig.* 3**

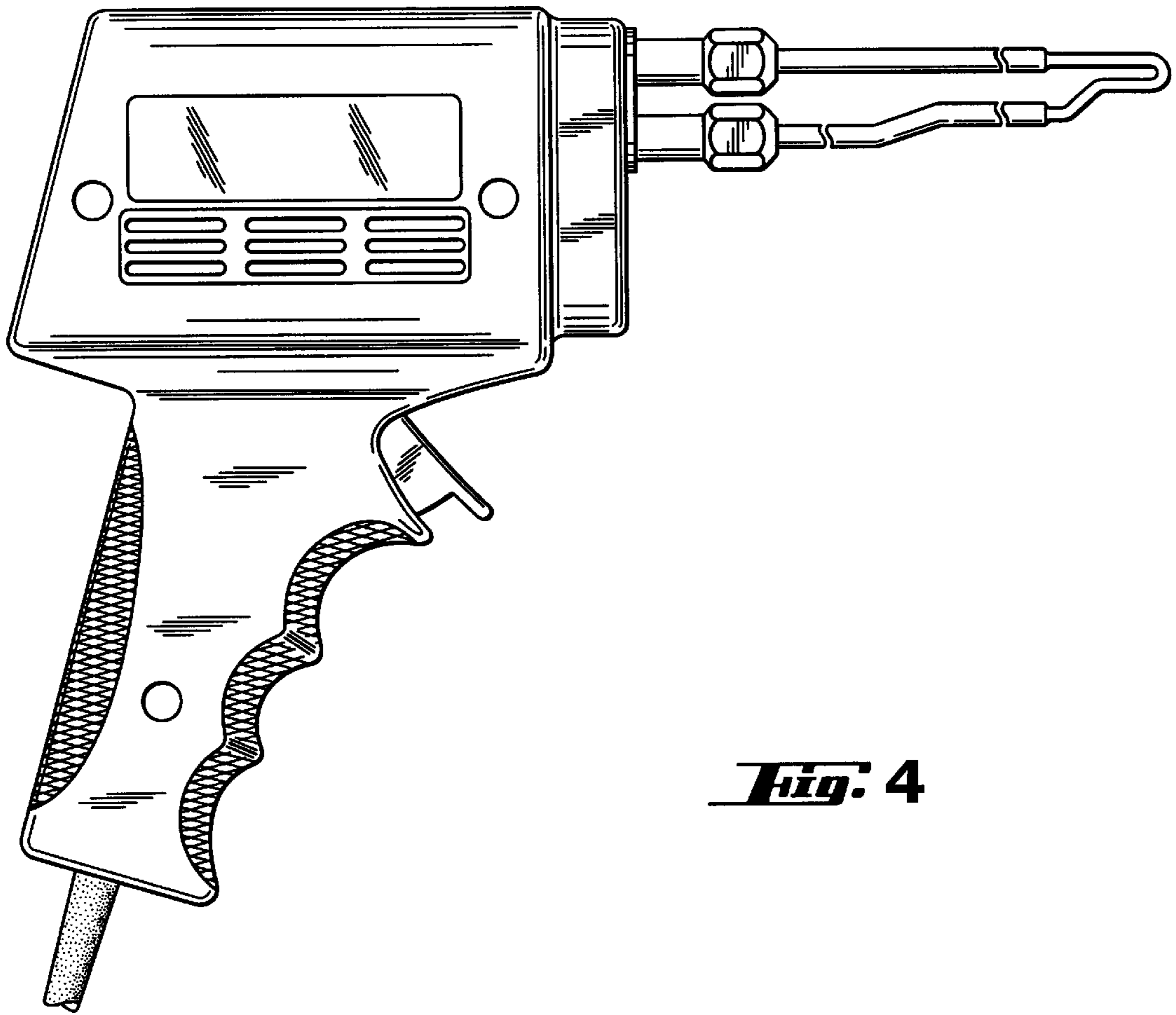
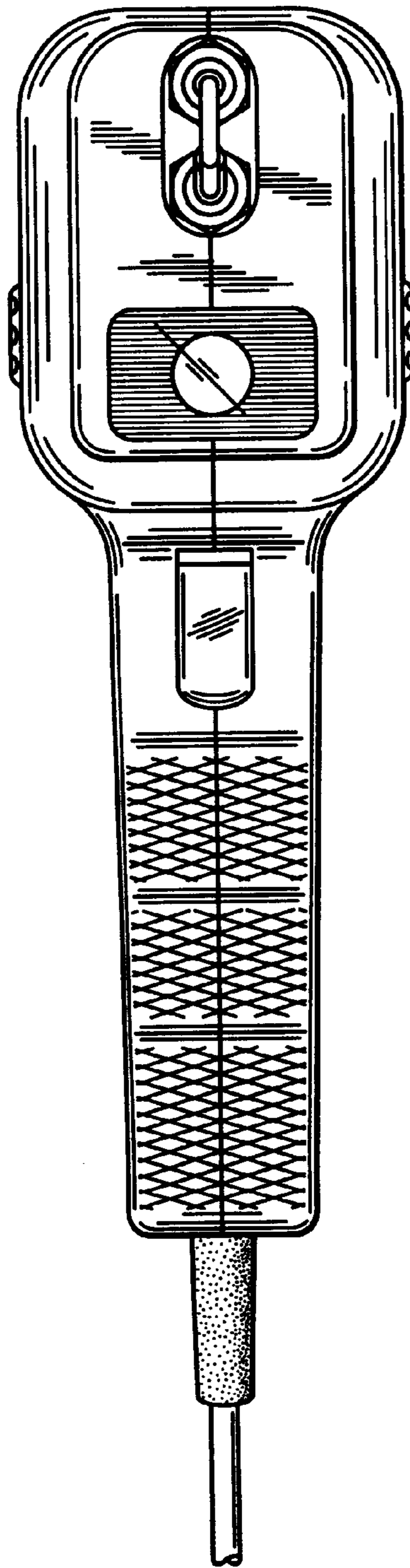


Fig. 4

***Fig.* 5**



***Fig.* 6**

