



US00D449968B1

(12) **United States Design Patent**
Reed

(10) **Patent No.:**

US D449,968 S

(45) **Date of Patent:**

**** Nov. 6, 2001**

(54) **BEVERAGE HOLDER**

(76) Inventor: **Jim Reed**, 2490 Greenwich St. #203,
San Francisco, CA (US) 94123

(**) Term: **14 Years**

(21) Appl. No.: **29/131,336**

(22) Filed: **Oct. 18, 2000**

(51) **LOC (7) Cl.** **07-06**

(52) **U.S. Cl.** **D7/622**

(58) **Field of Search** D7/605, 608, 619,
D7/622, 536; 62/457.1, 457.4; 215/12.1,
13.1, 396; 220/592.17, 739, 740, 737, 770,
903; 248/311.2

(56) **References Cited**

U.S. PATENT DOCUMENTS

D. 290,571	*	6/1987	Rowe	D7/622
D. 336,825	*	6/1993	Ivey	D7/605
D. 350,457	*	9/1994	Bailey	D7/622
3,013,691		12/1961	Prentice	220/85
3,302,427		2/1967	Stoner	62/457

3,533,590	10/1970	Swire	248/148
4,401,245	8/1983	Zills	224/148
4,720,023	1/1988	Jeff	220/412
4,746,028	5/1988	Bagg	220/85
5,433,339	7/1995	Sarver	220/756

* cited by examiner

Primary Examiner—Terry A. Wallace

(74) *Attorney, Agent, or Firm*—Goldstein Law Offices

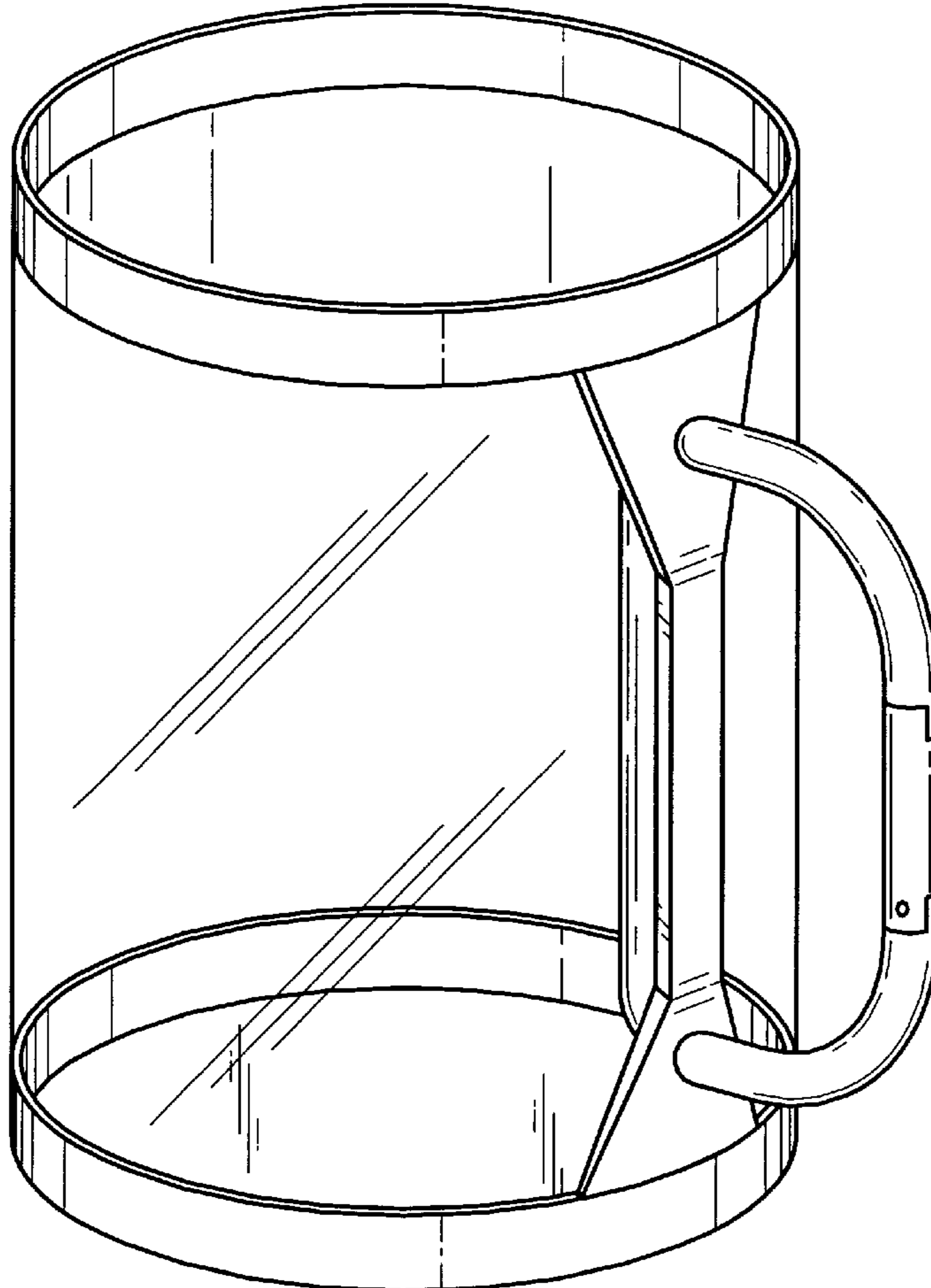
(57) **CLAIM**

The ornamental design for a beverage holder, as shown and described.

DESCRIPTION

FIG. 1 is a perspective view of a beverage holder.
FIG. 2 is a front elevational view thereof.
FIG. 3 is a rear elevational view thereof.
FIG. 4 is a left side elevational view, the right side elevational view being a mirror image of the left side view.
FIG. 5 is a top plan view of the beverage holder; and,
FIG. 6 is a bottom plan view thereof.

1 Claim, 3 Drawing Sheets



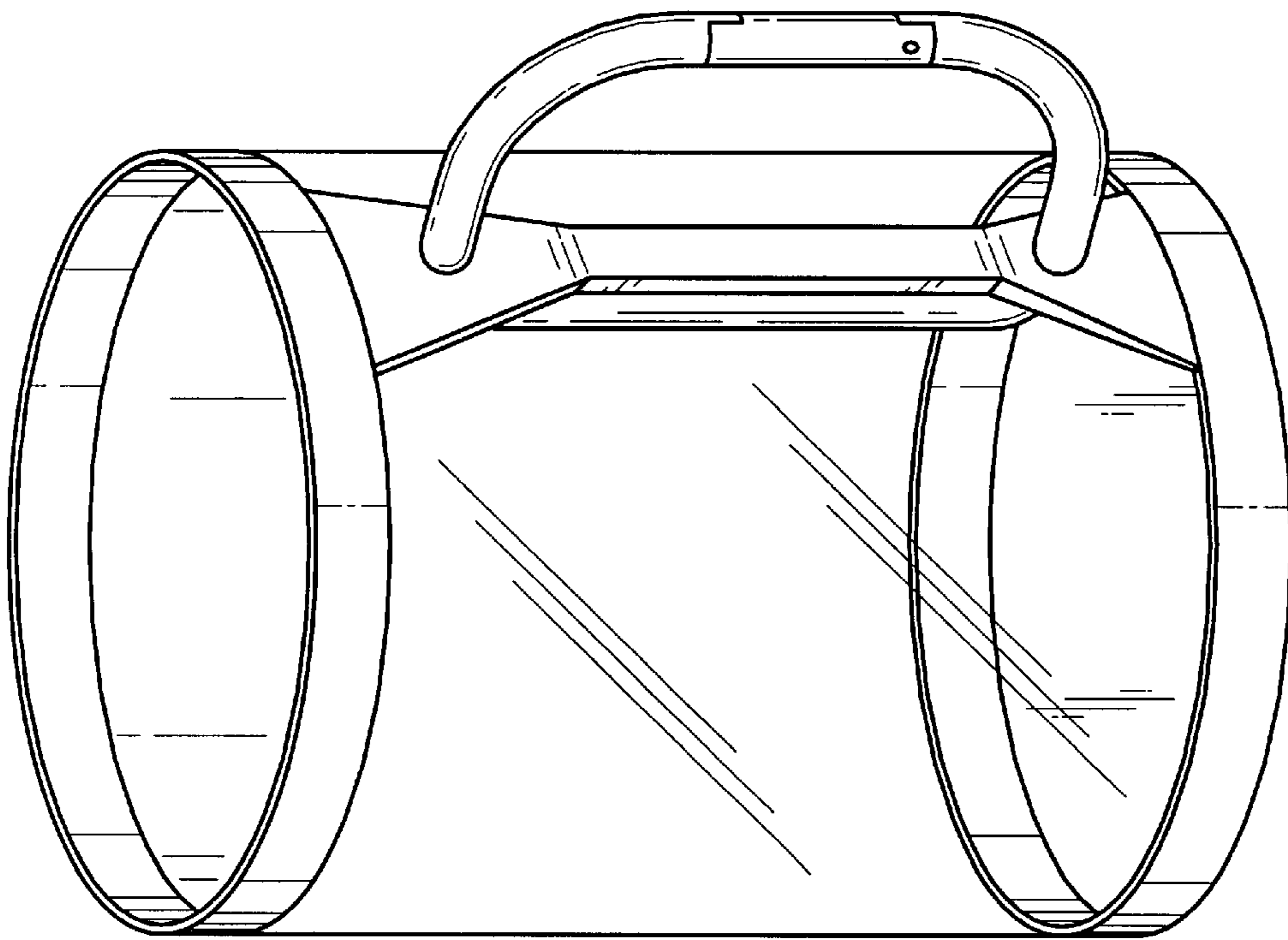


Fig. 1

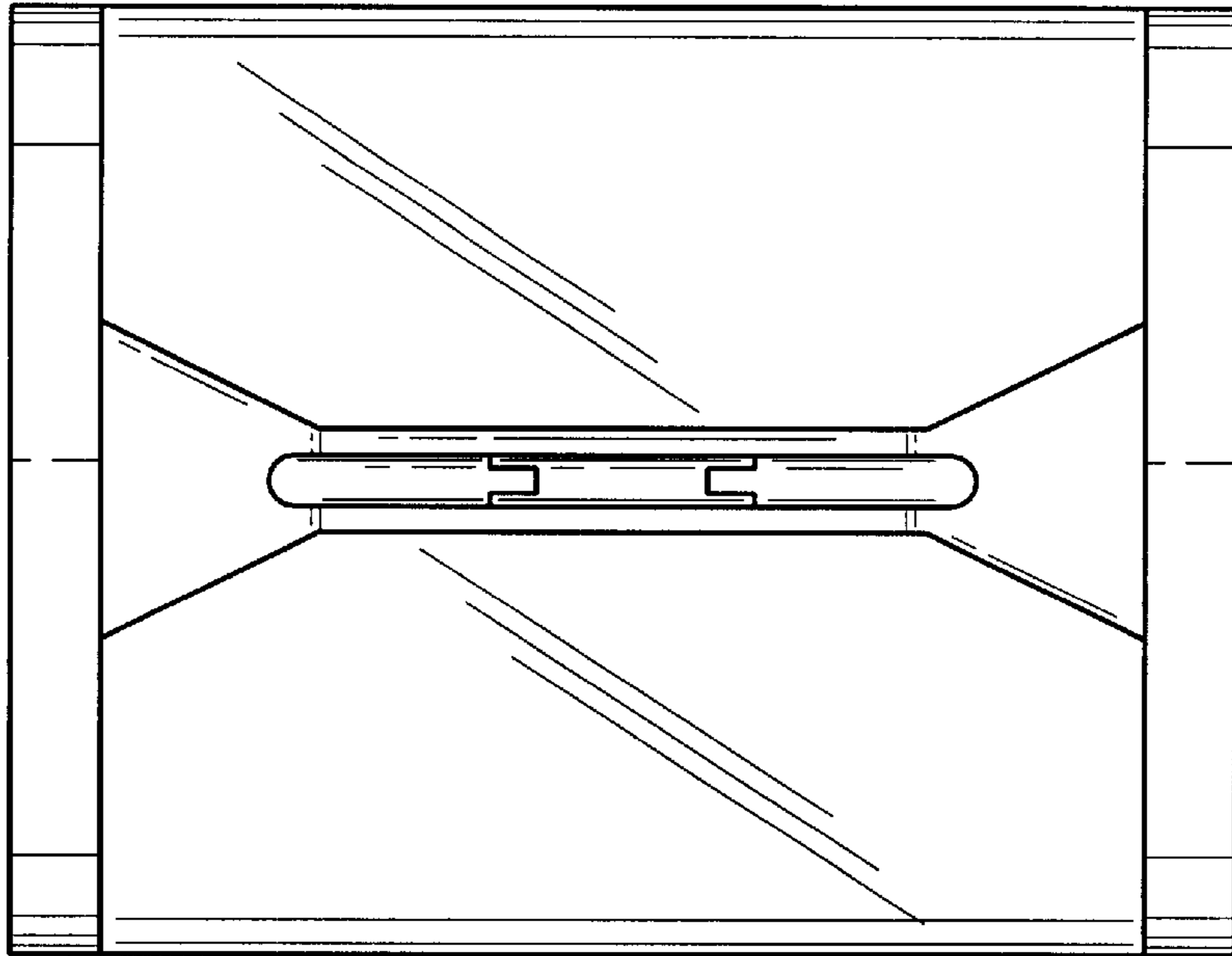


Fig. 2

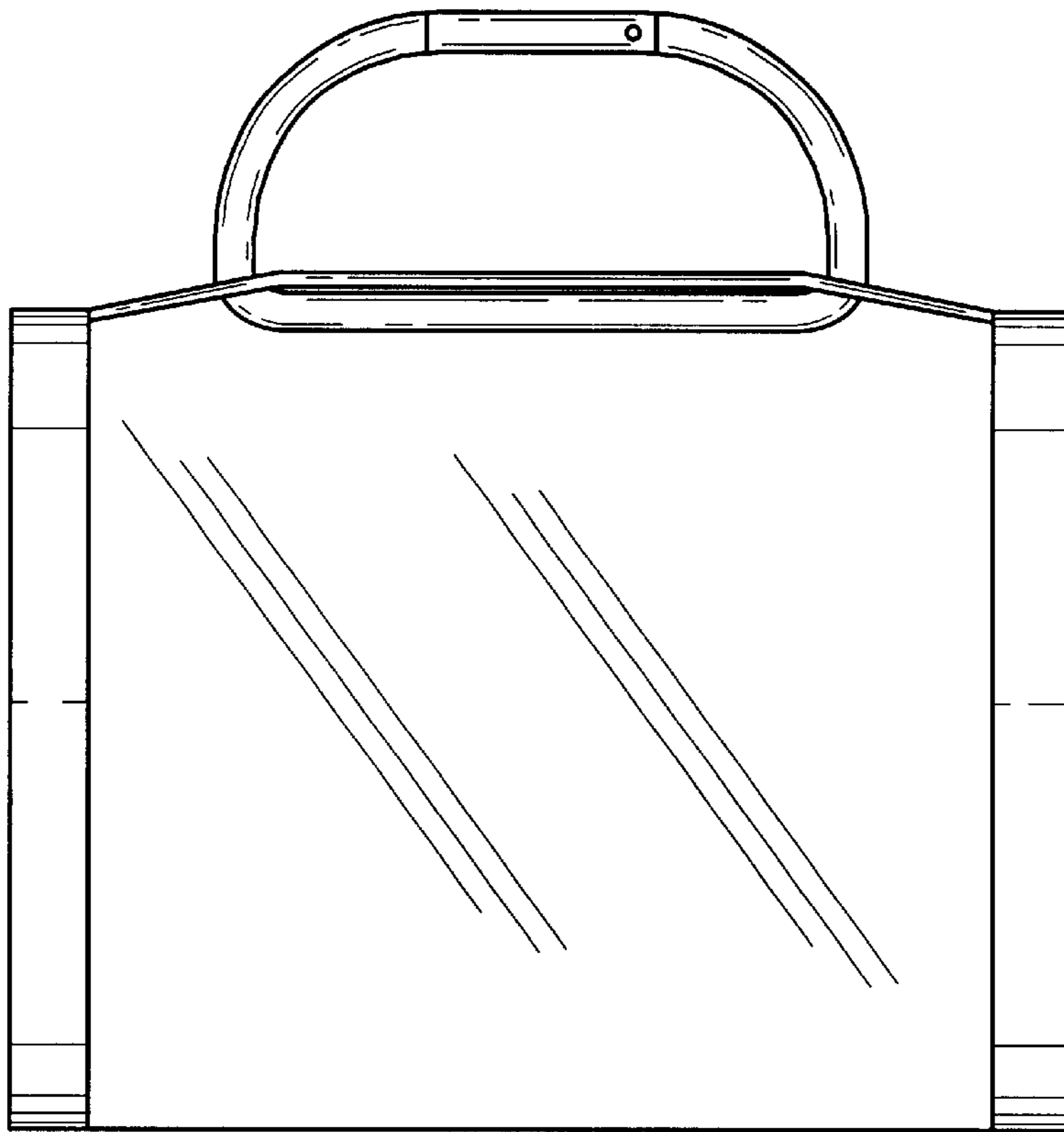


Fig. 4

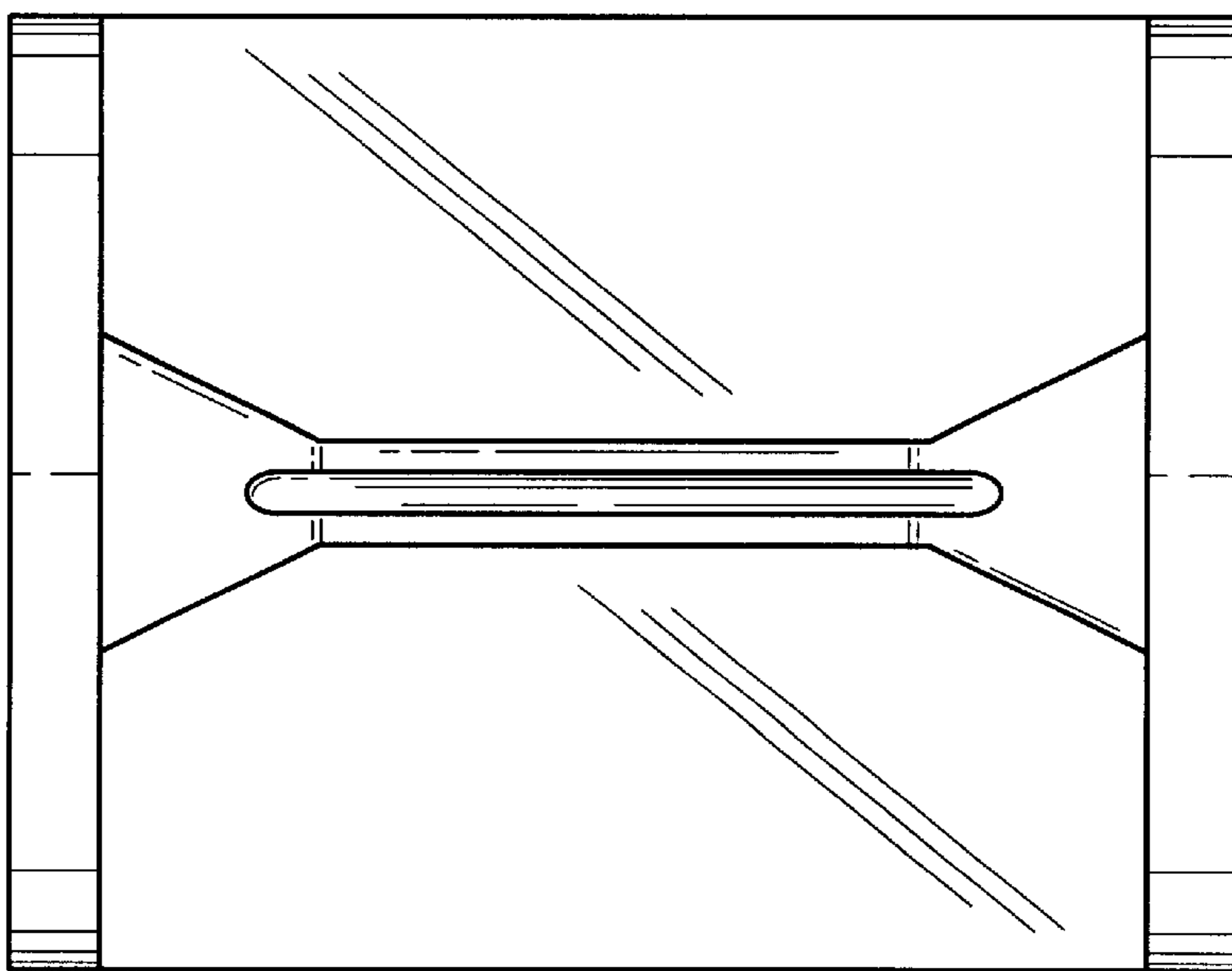


Fig. 3

Fig. 6

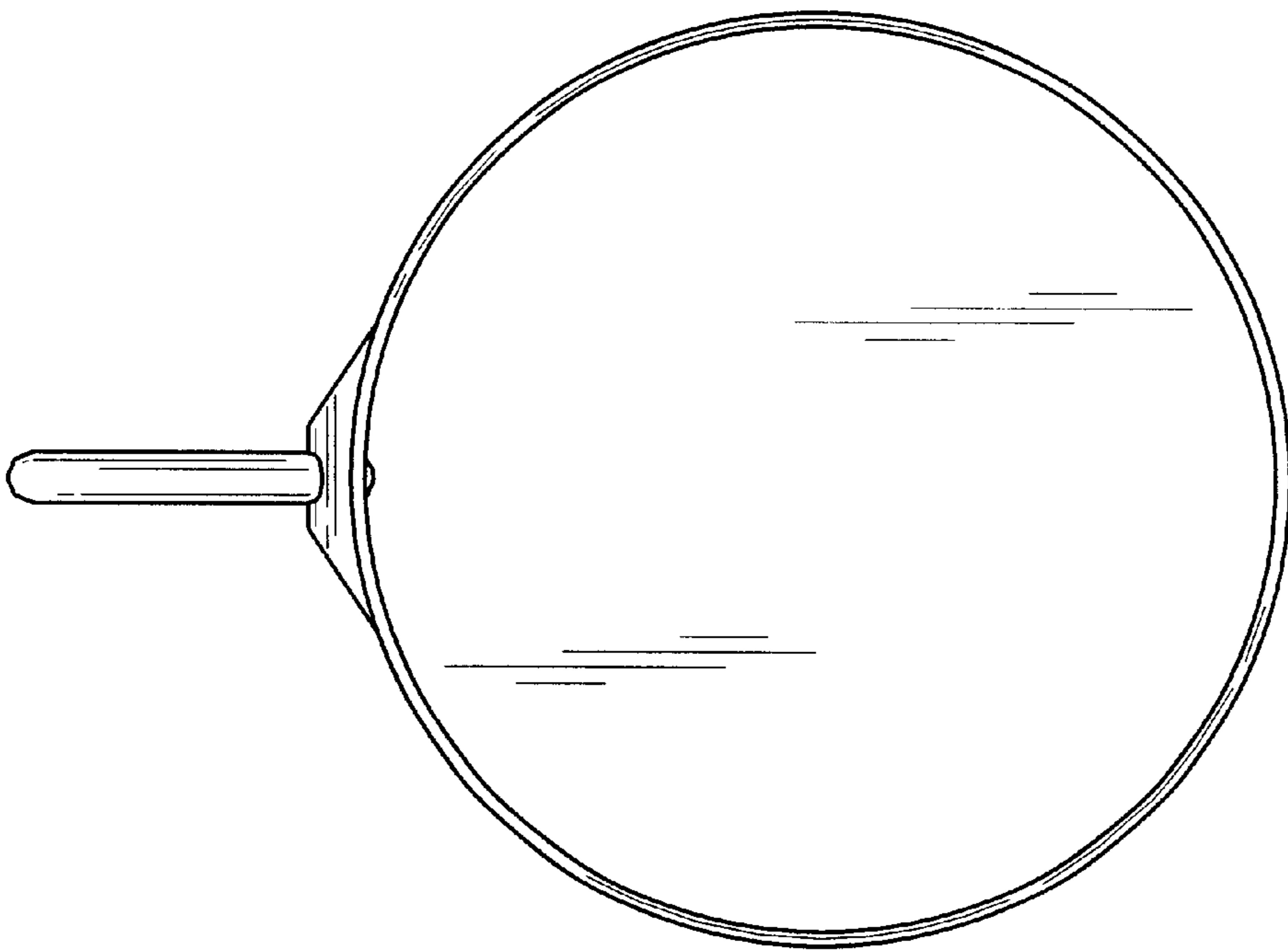
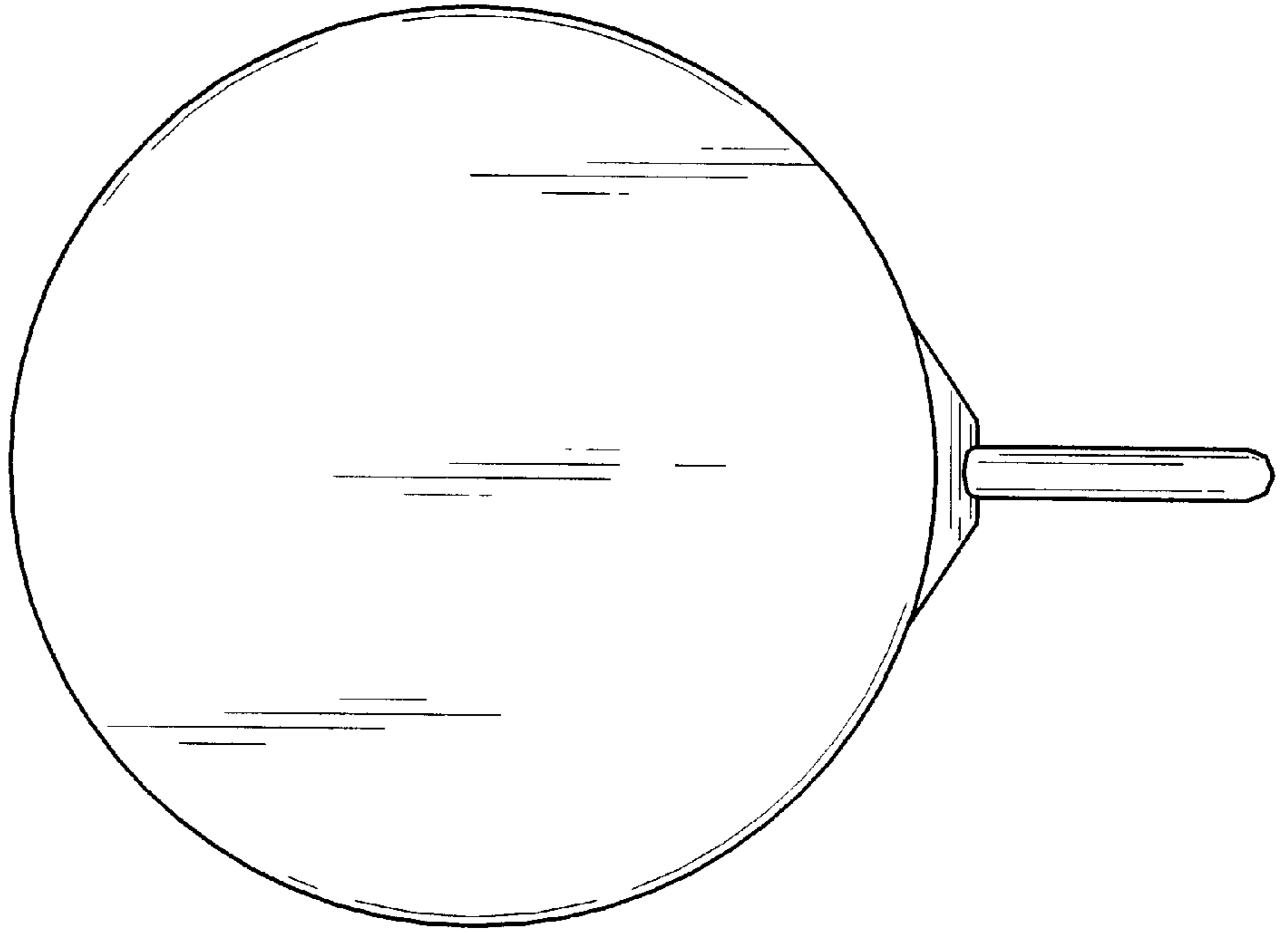


Fig. 5