



US00D449967B1

(12) **United States Design Patent**
Moffett, III et al.

(10) **Patent No.:** **US D449,967 S**

(45) **Date of Patent:** **** Nov. 6, 2001**

(54) **HIDE-AWAY STEREO COOLER**

(76) Inventors: **Noah Moffett, III**, 1250 Dundale Ave.,
Norfolk, VA (US) 23513; **Andrew**
Moore, 2501 Rice St., Chesapeake, VA
(US) 23324

(**) Term: **14 Years**

(21) Appl. No.: **29/119,986**

(22) Filed: **Mar. 13, 2000**

(51) **LOC (7) Cl.** **07-01**

(52) **U.S. Cl.** **D7/605**

(58) **Field of Search** D7/605-607; 62/457.1,
62/457.7, 371; 220/915.1, 915.2; D14/168,
129

(56) **References Cited**

U.S. PATENT DOCUMENTS

D. 286,252 * 10/1986 Goodwin D7/605
D. 347,765 * 6/1994 Unkefer D7/605

D. 367,404 * 2/1996 Scheffer et al. D7/605

* cited by examiner

Primary Examiner—Terry A. Wallace

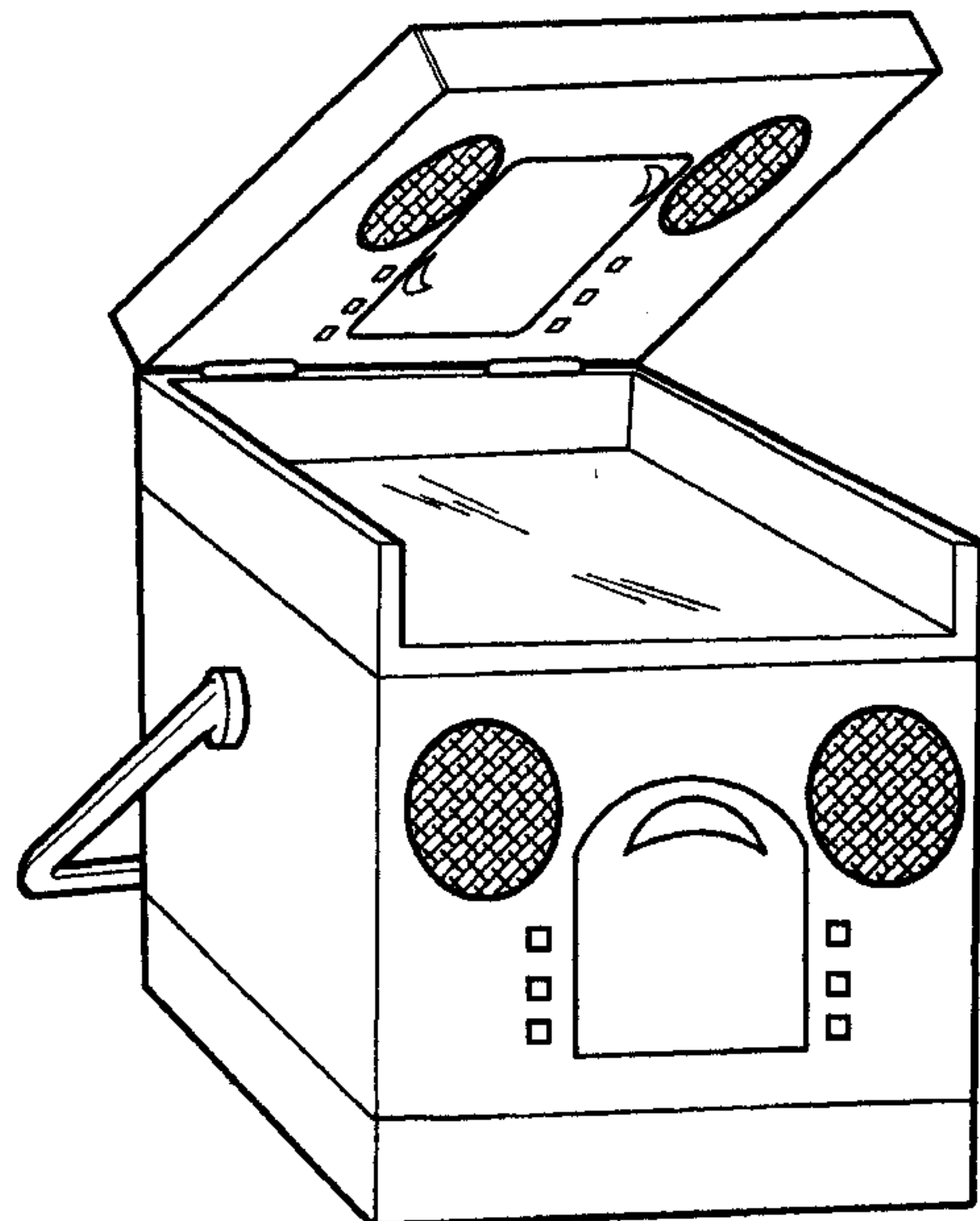
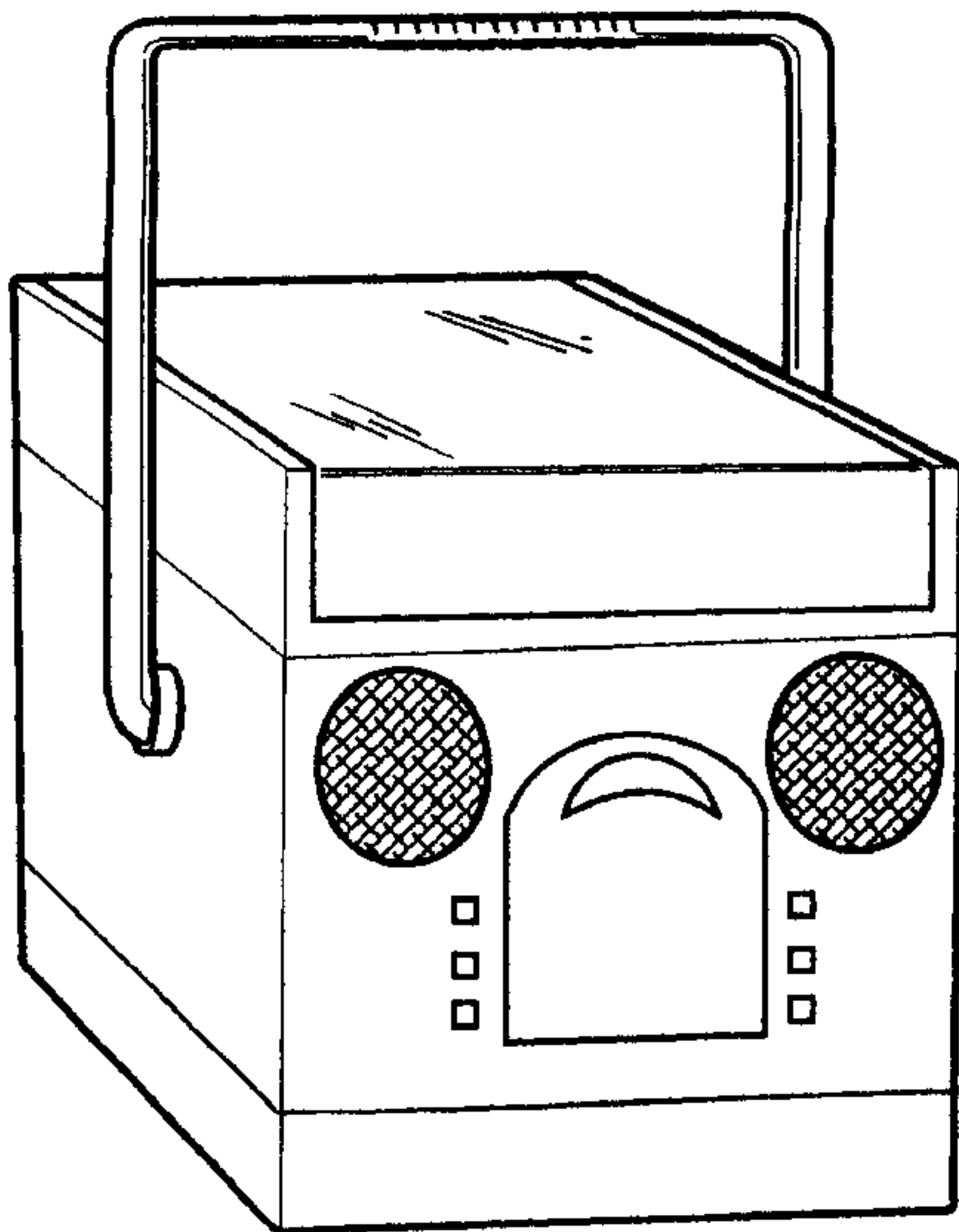
(57) **CLAIM**

The ornamental design for a hide-away stereo cooler, as shown and described.

DESCRIPTION

FIG. 1 is a top, front perspective view of a hide-away stereo cooler showing our new design; FIG. 2 is a bottom plan view thereof; FIG. 3 is a top plan view thereof; FIG. 4 is a right side view thereof; FIG. 5 is a left side view thereof; FIG. 6 is a rear view thereof; and FIG. 7 is a front view thereof; and, FIG. 8 is a front perspective view thereof in an open position.

1 Claim, 4 Drawing Sheets



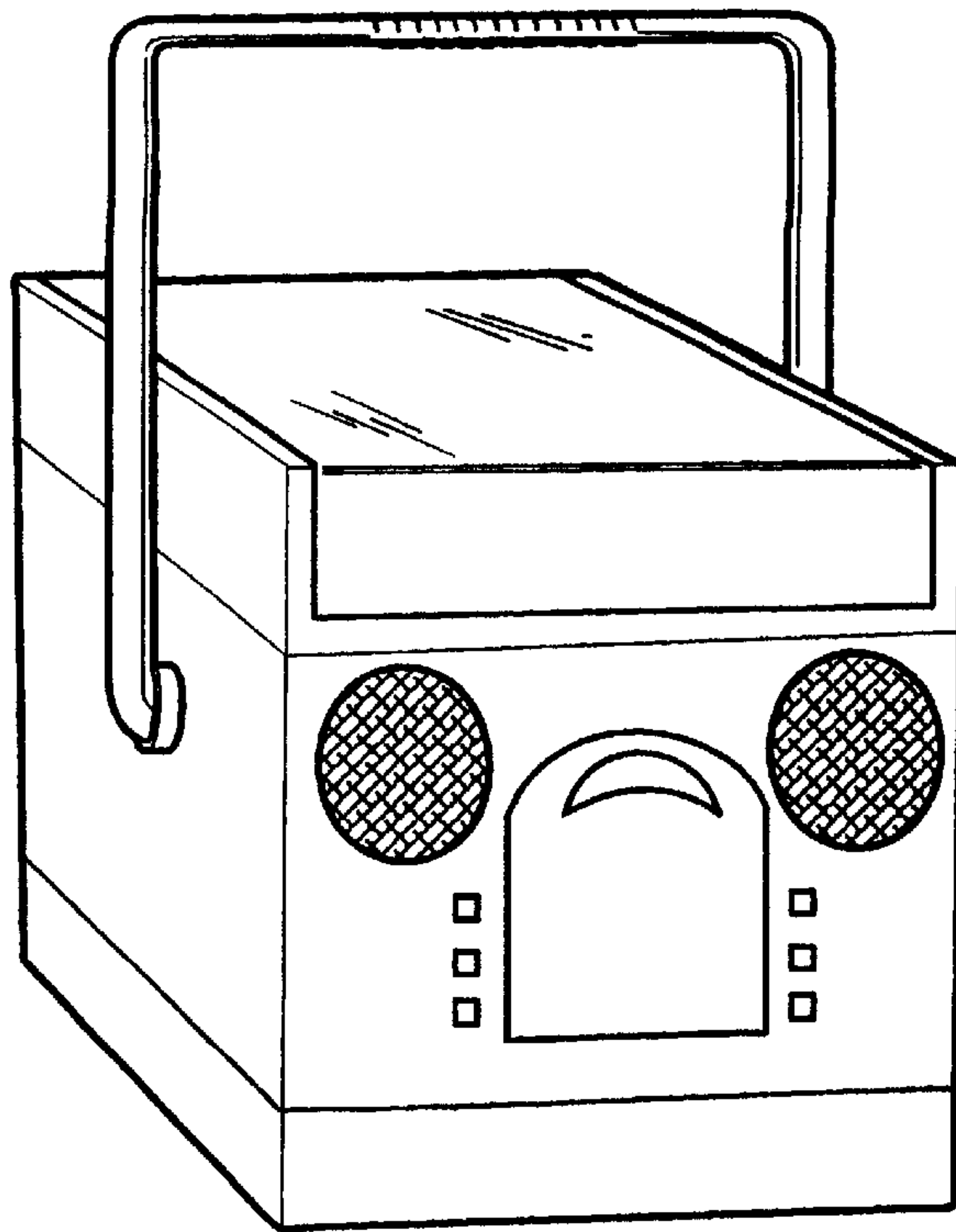


FIG. 1

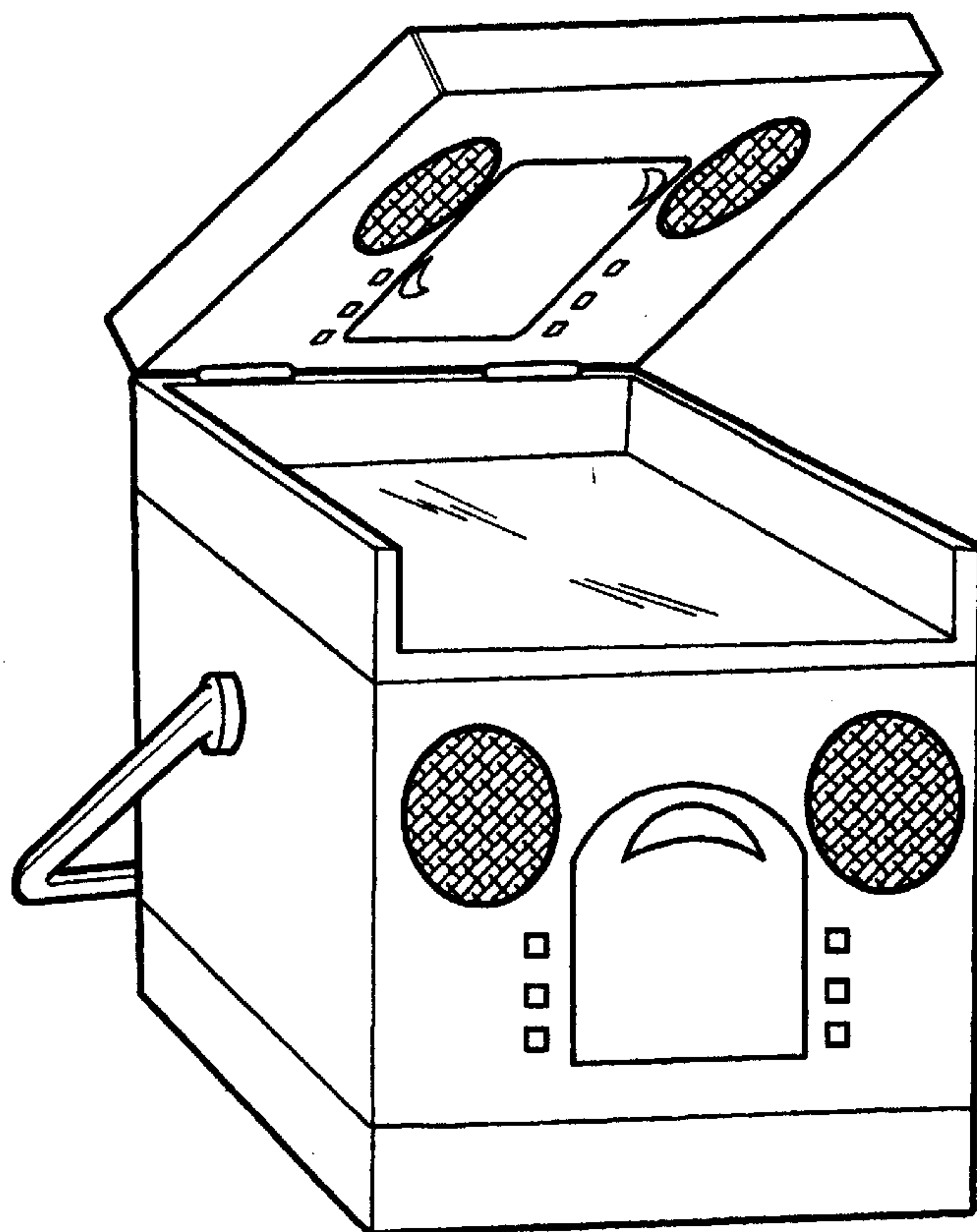


FIG. 8

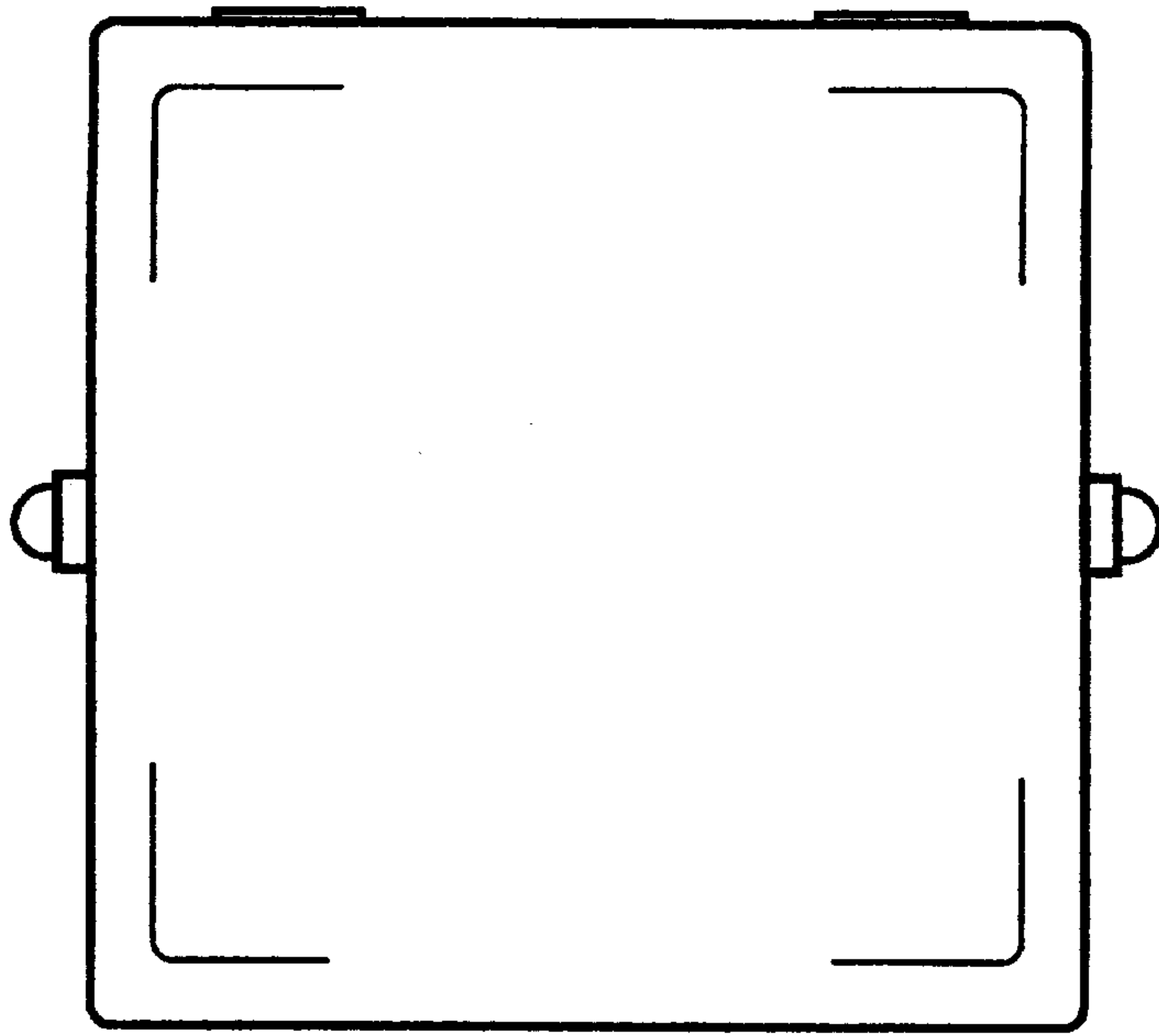


FIG. 2

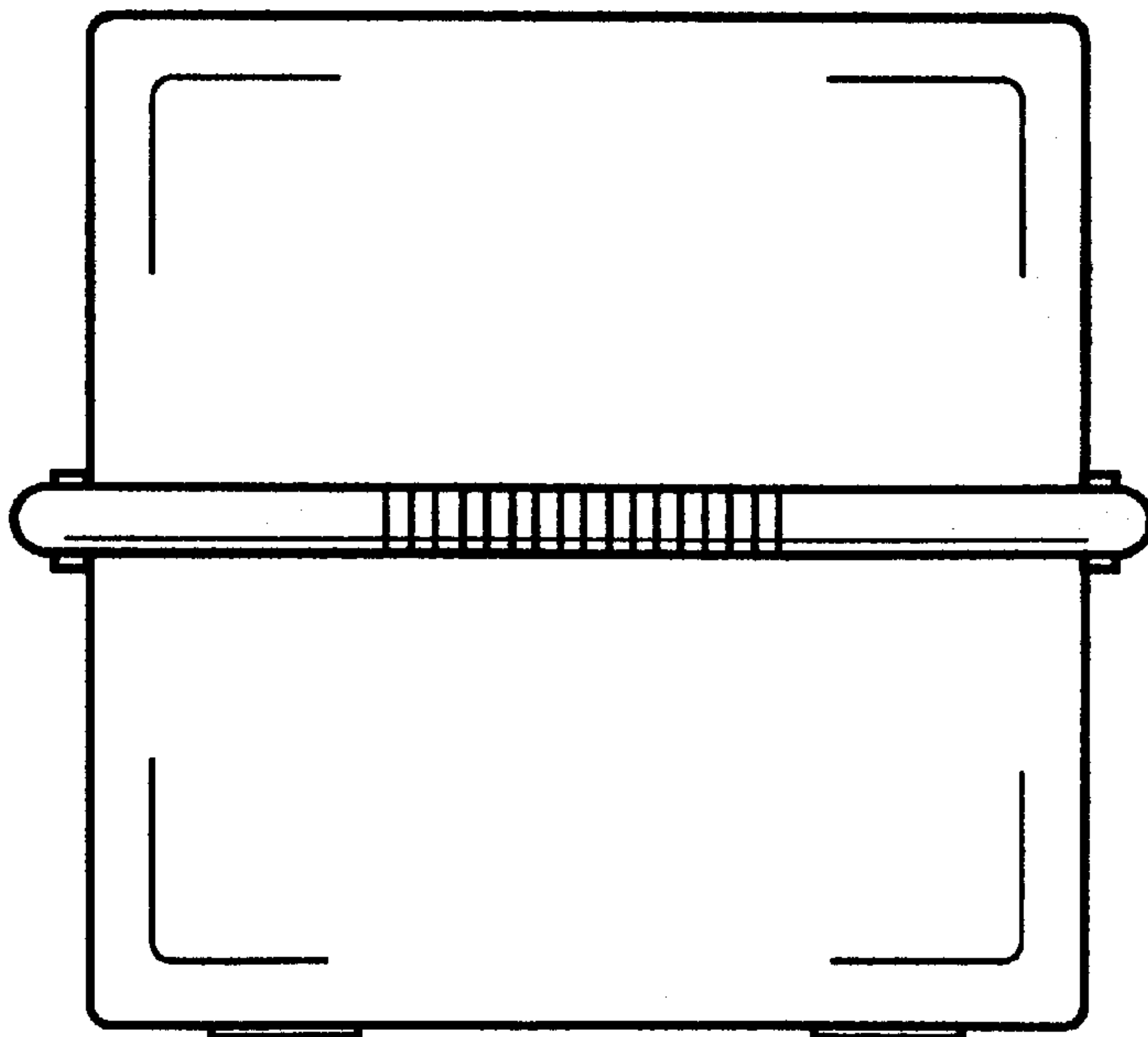


FIG. 3

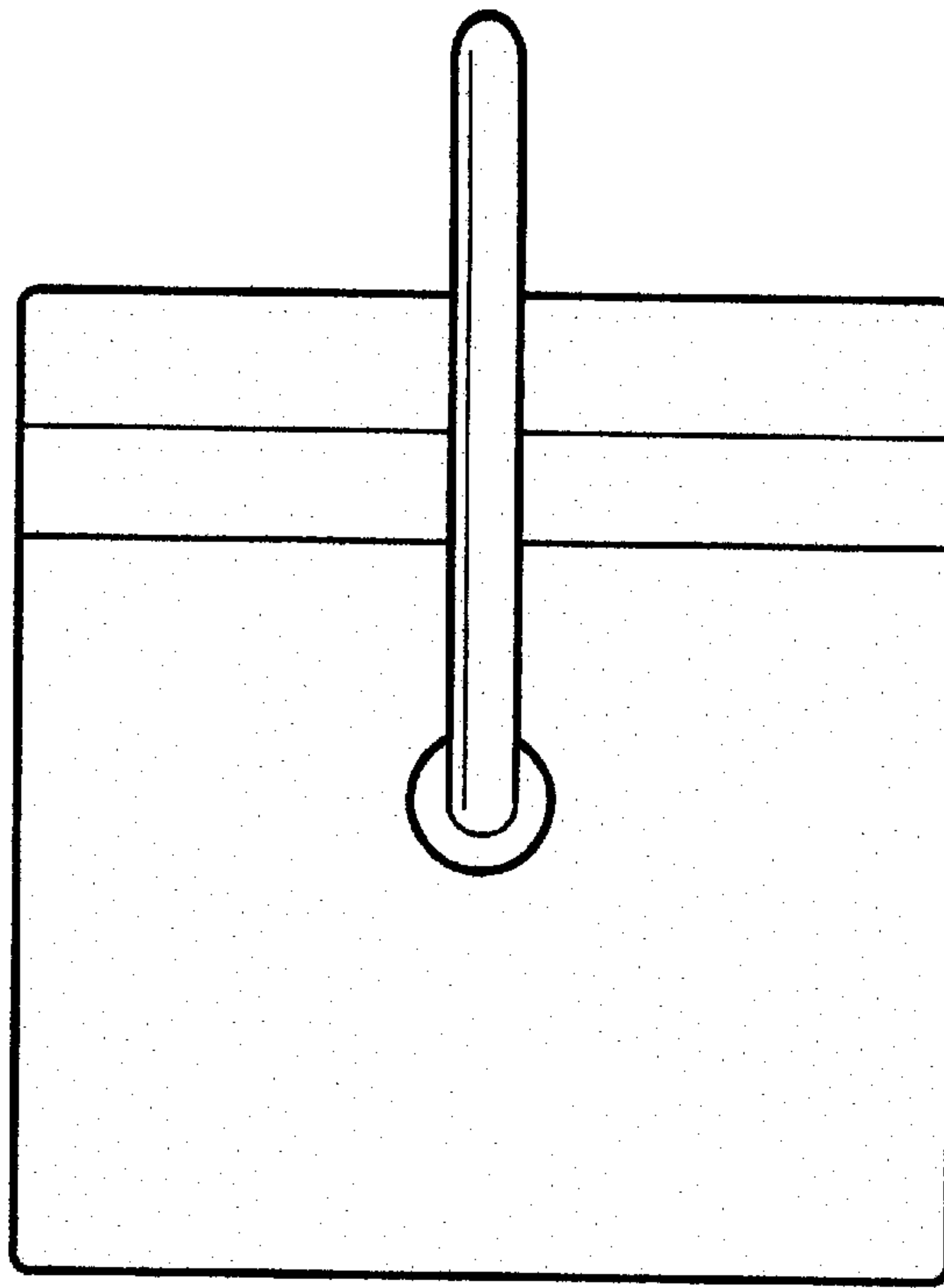


FIG. 4

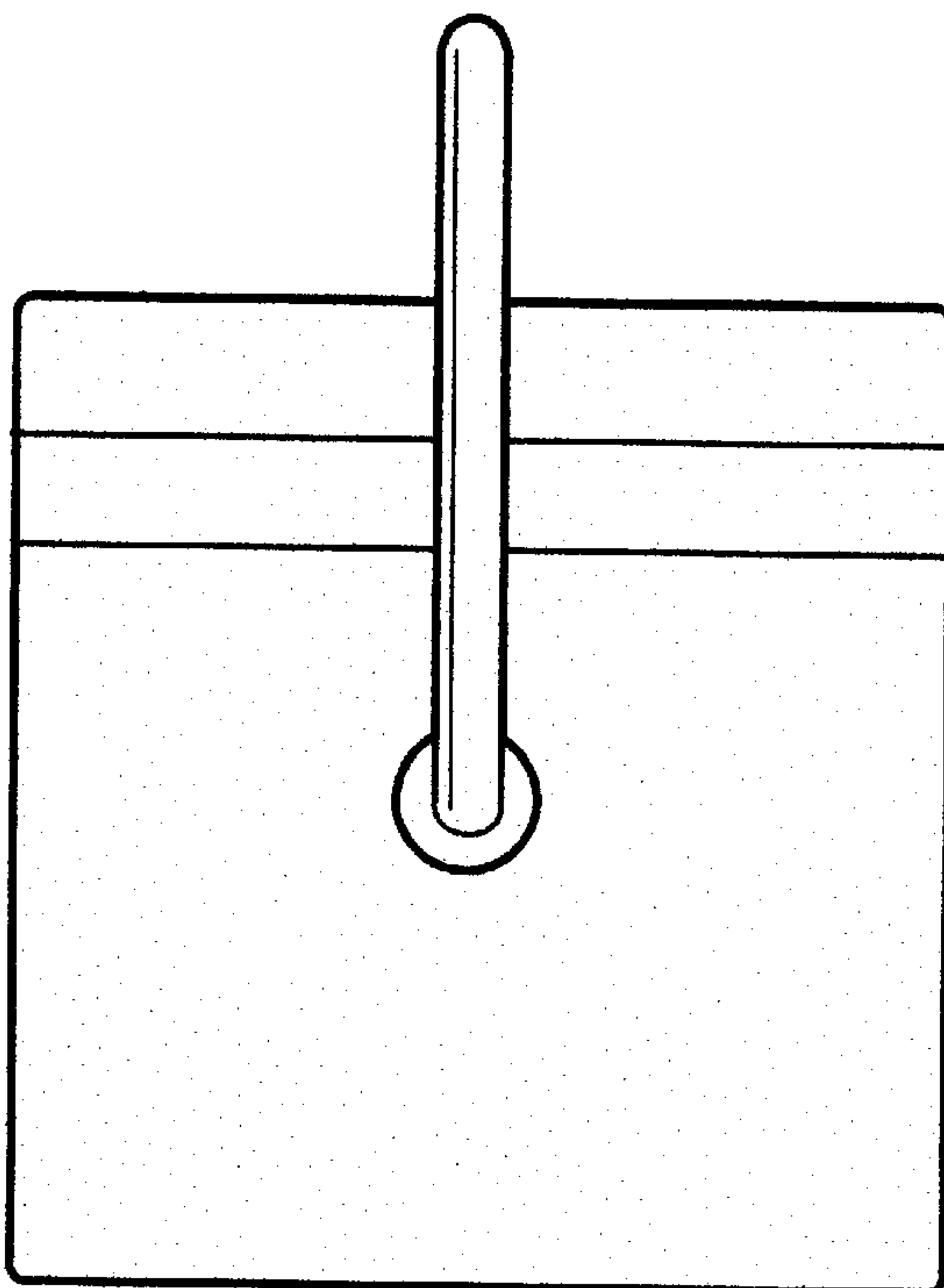


FIG. 5

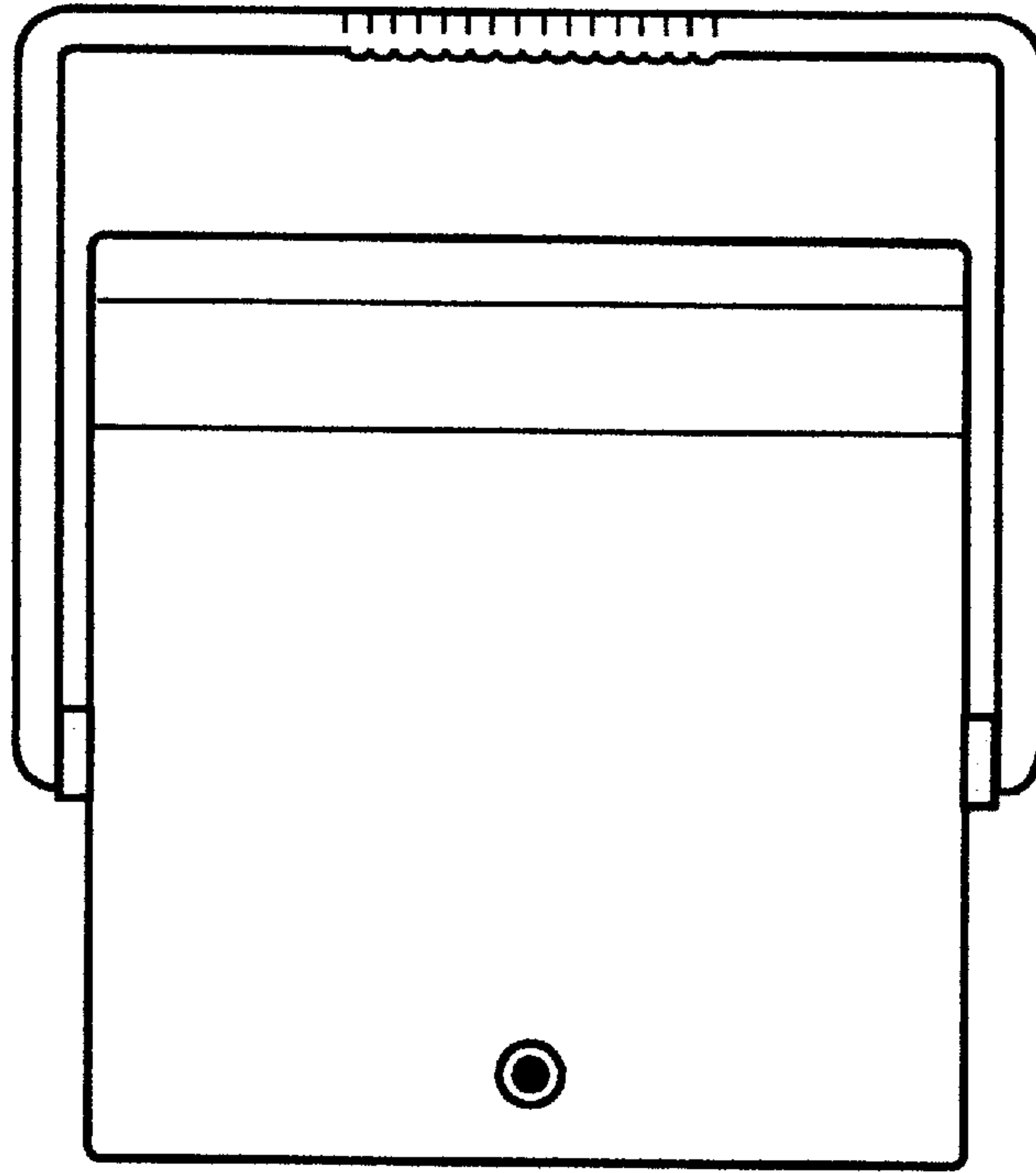


FIG. 6

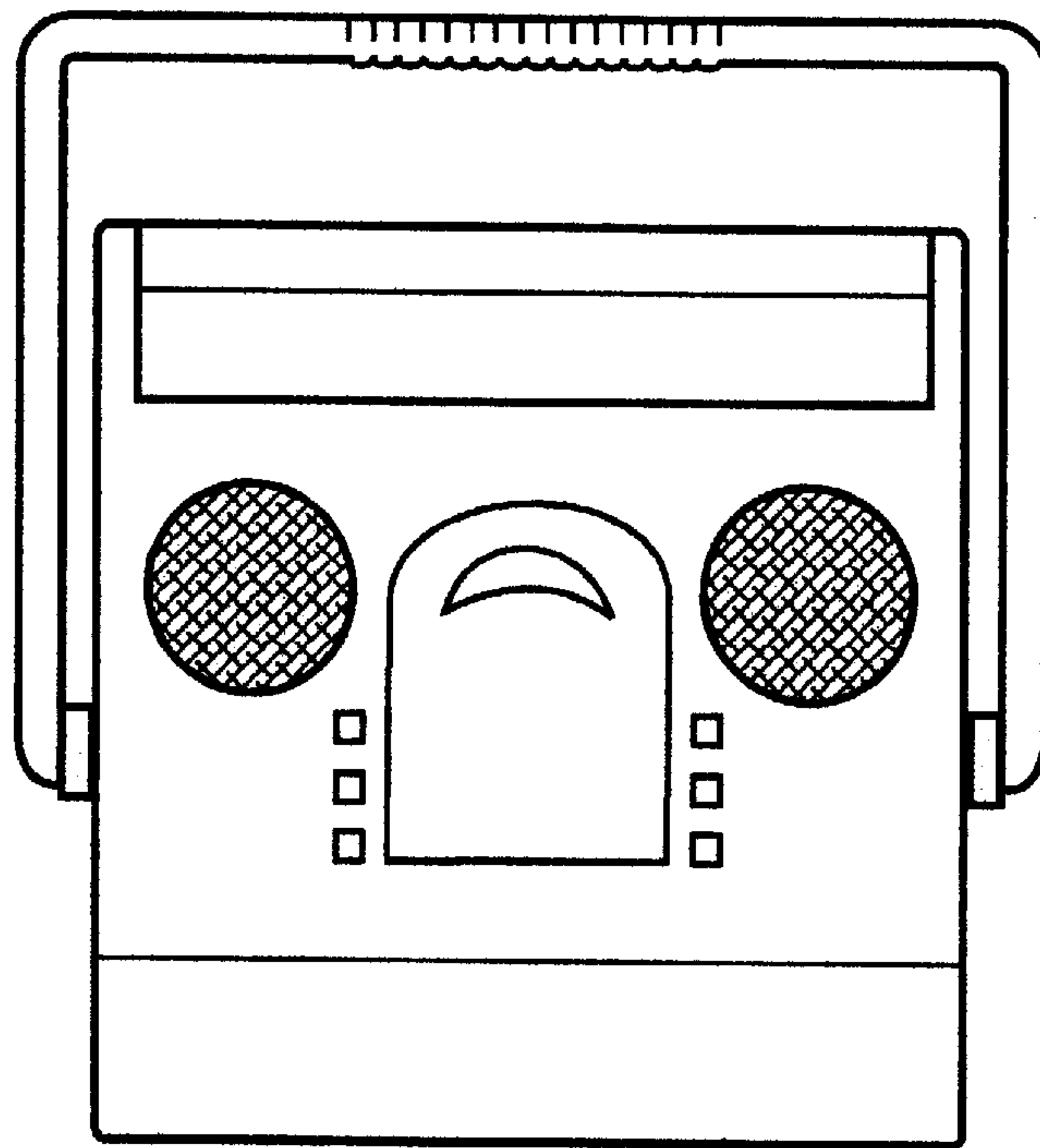


FIG. 7