



US00D449962B1

(12) **United States Design Patent**
Harrison et al.

(10) **Patent No.:** **US D449,962 S**

(45) **Date of Patent:** **** Nov. 6, 2001**

(54) **DRINKING GLASS**

(75) Inventors: **Elizabeth A. Harrison**, Columbus;
Michael Shook, Lancaster, both of OH
(US)

(73) Assignee: **Anchor Hocking Corporation**,
Freeport, IL (US)

(**) Term: **14 Years**

(21) Appl. No.: **29/118,711**

(22) Filed: **Feb. 14, 2000**

(51) **LOC (7) Cl.** **07-01**

(52) **U.S. Cl.** **D7/528; D7/524**

(58) **Field of Search** D7/396.2, 509,
D7/512, 515, 522-524, 528-537; 215/383,
374, 382; 220/380, 367.1, 666; 206/508,
218; 222/402.1

D. 80,021	*	12/1929	Dithridge	D7/524
D. 80,508	*	1/1930	Adams	D7/528
D. 81,738	*	8/1930	Parker	D7/528
D. 99,107	*	3/1936	Bell	D7/528
D. 108,741	*	3/1938	Bell	D7/528
D. 109,535	*	5/1938	Shapiro	D7/528
D. 110,273	*	6/1938	Cunningham	D7/528
D. 126,837	*	4/1941	Morrison	D7/528
D. 160,843	*	11/1950	Cone	D7/537
D. 166,008	*	2/1952	Witten	D7/537
D. 314,886	*	2/1991	Zivin	D7/558
D. 406,986	*	3/1999	Lewis	D7/558
3,939,888	*	2/1976	Scarnato	220/666

* cited by examiner

Primary Examiner—M. N. Pandozzi

(74) *Attorney, Agent, or Firm*—Foley & Lardner

(57) **CLAIM**

We claim the ornamental design for a drinking glass, as shown and described.

DESCRIPTION

FIG. 1 is a front elevational view of a drinking glass, the rear elevational view being a mirror image thereof;

FIG. 2 is a top plan view of FIG. 1; and,

FIG. 3 is a bottom plan view of FIG. 1.

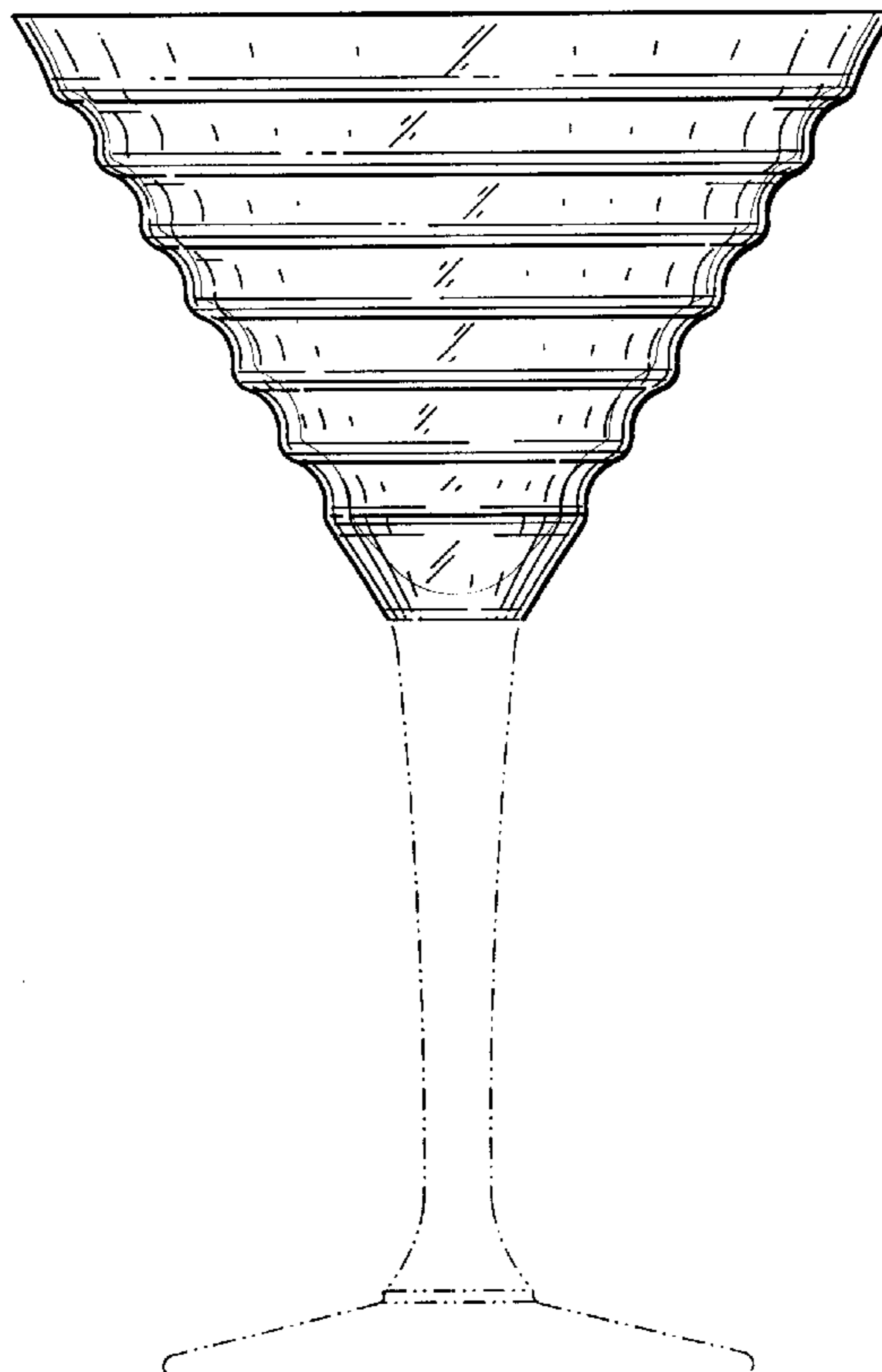
The ornamental design which is claimed is shown in solid lines in the drawings. The broken lines in the drawings are for illustrative purposes only and form no part of the claimed design.

(56) **References Cited**

U.S. PATENT DOCUMENTS

D. 50,687	*	5/1917	Hunter	D7/524
D. 65,528	*	11/1924	Graham	D7/528
D. 65,992	*	11/1924	Atterholt	D7/528
D. 69,405	*	2/1926	McCartney	D7/528
D. 70,091	*	5/1926	Bell	D7/528
D. 70,754	*	8/1926	Heisey	D7/528
D. 72,162	*	3/1927	Loomis	D7/528
D. 72,216	*	3/1927	Loomis	D7/528
D. 79,778	*	10/1929	Schmidt	D7/528

1 Claim, 1 Drawing Sheet



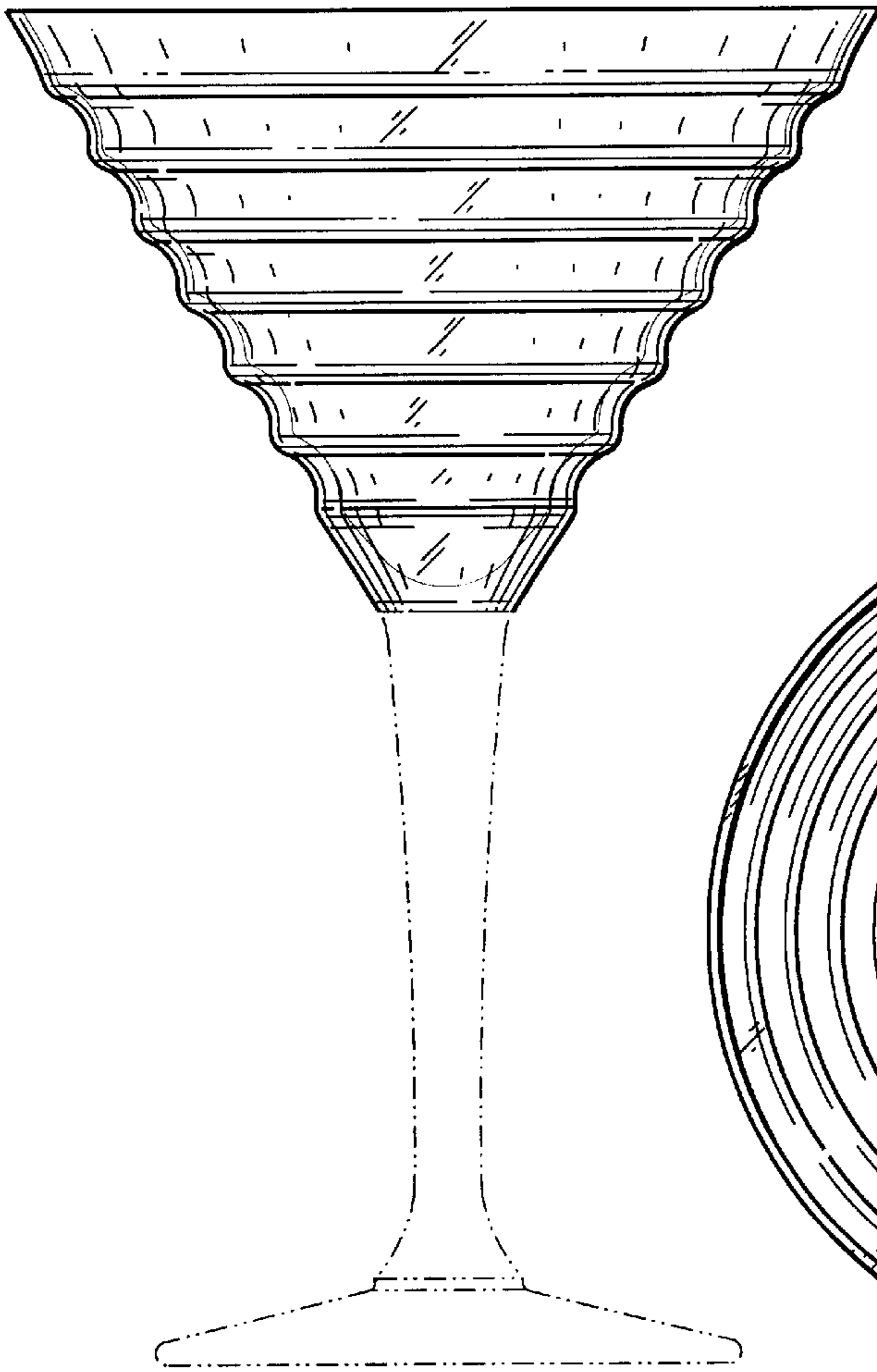


FIG. 1

FIG. 2

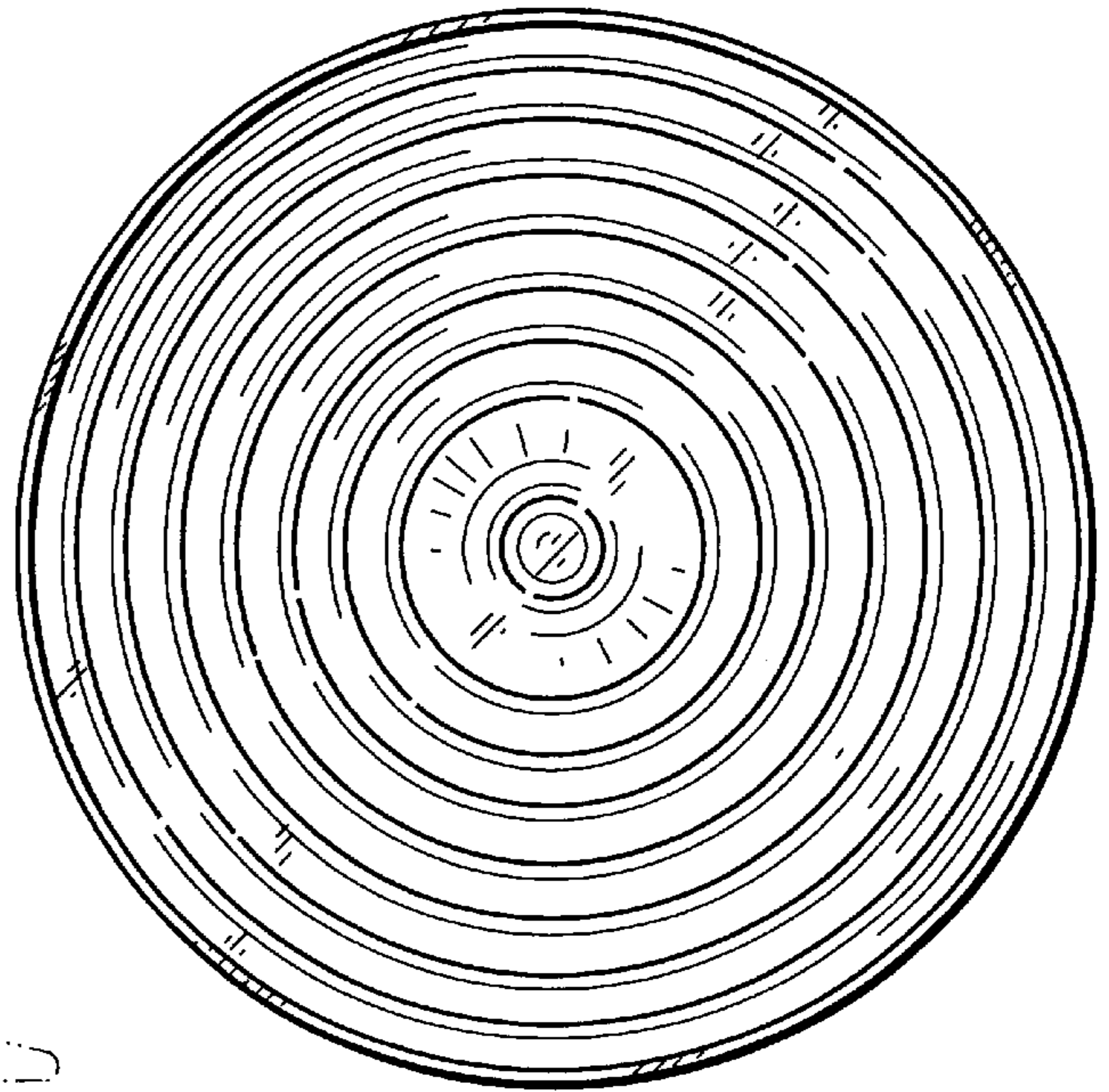


FIG. 3

