



US00D449961B1

(12) **United States Design Patent**  
**Miura**

(10) **Patent No.: US D449,961 S**

(45) **Date of Patent: \*\* Nov. 6, 2001**

(54) **CUP FOR BEVERAGES OR FOOD**

(75) Inventor: **Masami Miura**, Tokyo (JP)

(73) Assignee: **San-ai Corporation**, Tokyo (JP)

(\* ) Notice: This patent is subject to a terminal disclaimer.

(\*\*) Term: **14 Years**

(21) Appl. No.: **29/121,090**

(22) Filed: **Apr. 3, 2000**

(30) **Foreign Application Priority Data**

Jan. 26, 2000 (JP) ..... 12-000966

(51) **LOC (7) Cl.** ..... **07-01**

(52) **U.S. Cl.** ..... **D7/507; D7/509; D7/533; D7/536**

(58) **Field of Search** ..... D7/507, 509, 533, D7/536, 523, 534; 229/4.5, 1.5 B, 393, 400, 401, 402; 220/703, 713, 675, 719, 612, 710.5; 248/146; 206/579, 459, 514; 215/383, 391; 428/36.4; 493/88

(56) **References Cited**

**U.S. PATENT DOCUMENTS**

D. 129,823	*	10/1941	Reiber	.....	D7/534
2,060,781	*	11/1936	Annen	.....	229/402
2,287,644	*	6/1942	Schacht	.....	229/4.5
2,378,750	*	6/1945	Carew	.....	229/402
2,558,287	*	6/1951	Amberg	.....	229/402
2,560,927	*	7/1951	Buttery et al.	.....	229/4.5
2,745,586	*	5/1956	Thoma	.....	229/401
2,775,382	*	12/1956	Kayat	.....	229/402
2,867,365	*	1/1959	Tourette	.....	229/401
2,988,967	*	6/1961	Dudnick et al.	.....	493/88
3,268,143	*	8/1966	Bolгато	.....	229/400

3,357,623	*	12/1967	Wommelsdorf	.....	229/404
3,926,361	*	12/1975	Hilderbrand	.....	229/402
4,102,454	*	7/1978	Karevaara	.....	206/514
4,412,644	*	11/1983	Fever	.....	229/402
4,578,296	*	3/1986	Miyazaki et al.	.....	428/36.4
4,685,583	*	8/1987	Noon	.....	220/710.5
4,836,400	*	6/1989	Chaffey et al.	.....	220/612
5,996,887	*	12/1999	Cai et al.	.....	229/400
6,116,503	*	9/2000	Varano	.....	229/403

**OTHER PUBLICATIONS**

U.S. application No. 29/112,047, filed Oct. 7, 1999, pending.  
U.S. application No. 29/117,596, filed Jan. 31, 2000, pending.  
U.S. application No. 29/117,582, filed Jan. 31, 2000, pending.  
U.S. application No. 29/121,089, filed Apr. 3, 2000, pending.

\* cited by examiner

*Primary Examiner*—M. N. Pandozzi

(74) *Attorney, Agent, or Firm*—Oblon, Spivak, McClelland, Maier & Neustadt, P.C.

(57) **CLAIM**

The ornamental design for a cup for beverages or food, as shown and described.

**DESCRIPTION**

FIG. 1 is a front elevational view of a cup for beverages or food, showing my new design;  
FIG. 2 is a rear elevational view thereof;  
FIG. 3 is a top plan view thereof;  
FIG. 4 is a bottom plan view thereof;  
FIG. 5 is a right side elevational view thereof; and,  
FIG. 6 is an exploded top perspective view thereof, with the handle and stirring piece in an alternate position .

**1 Claim, 3 Drawing Sheets**

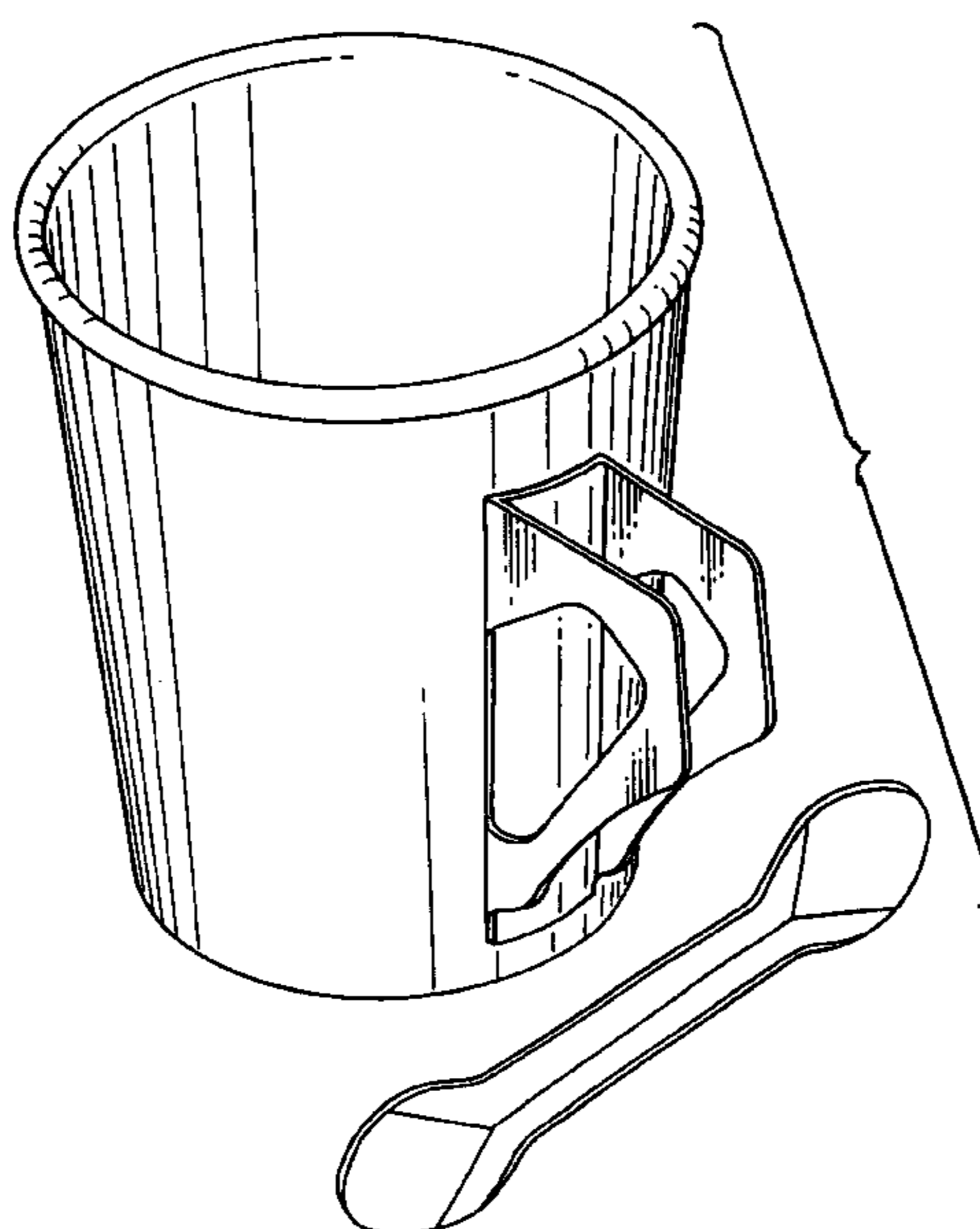


FIG. 1

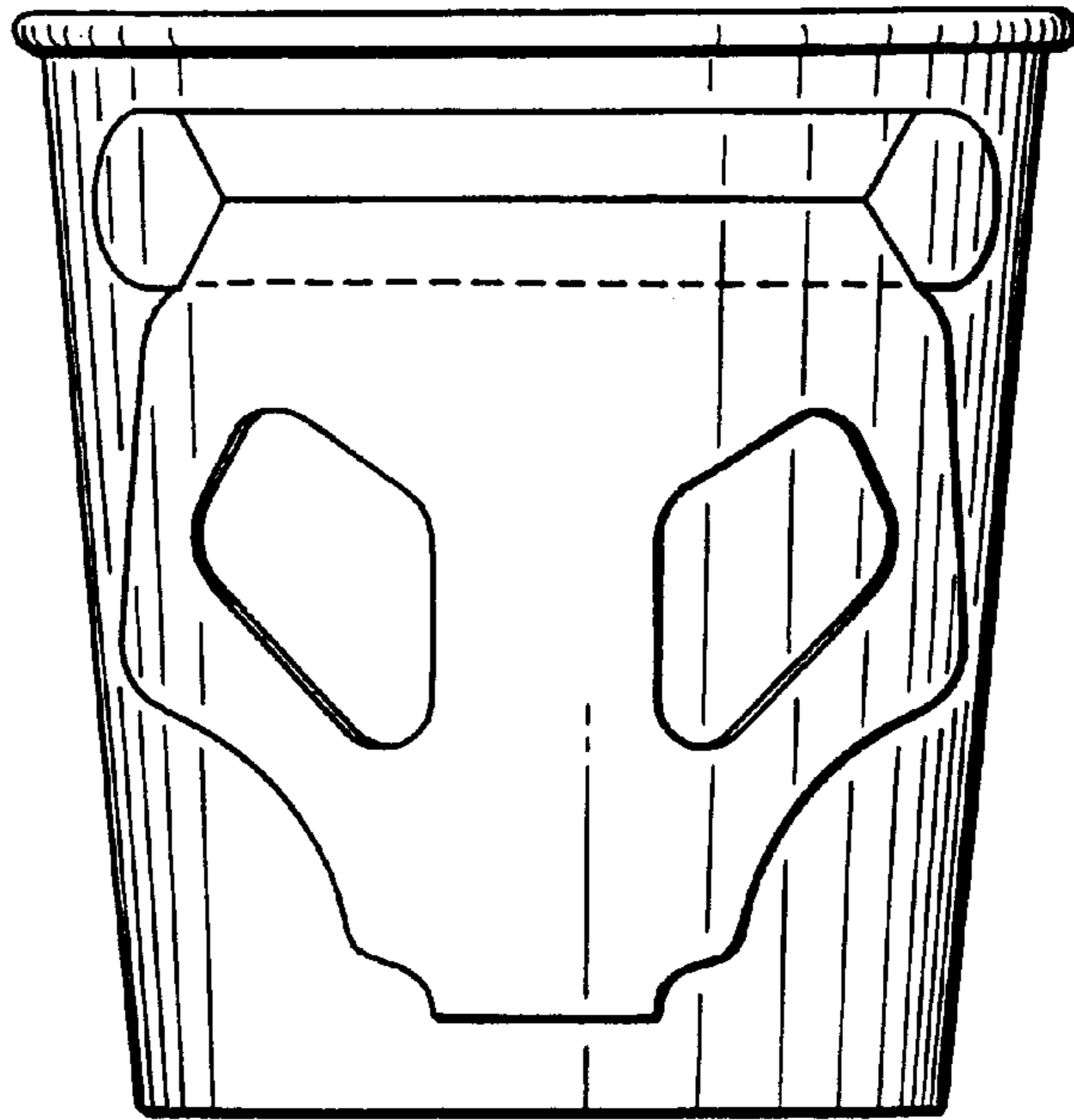


FIG. 2

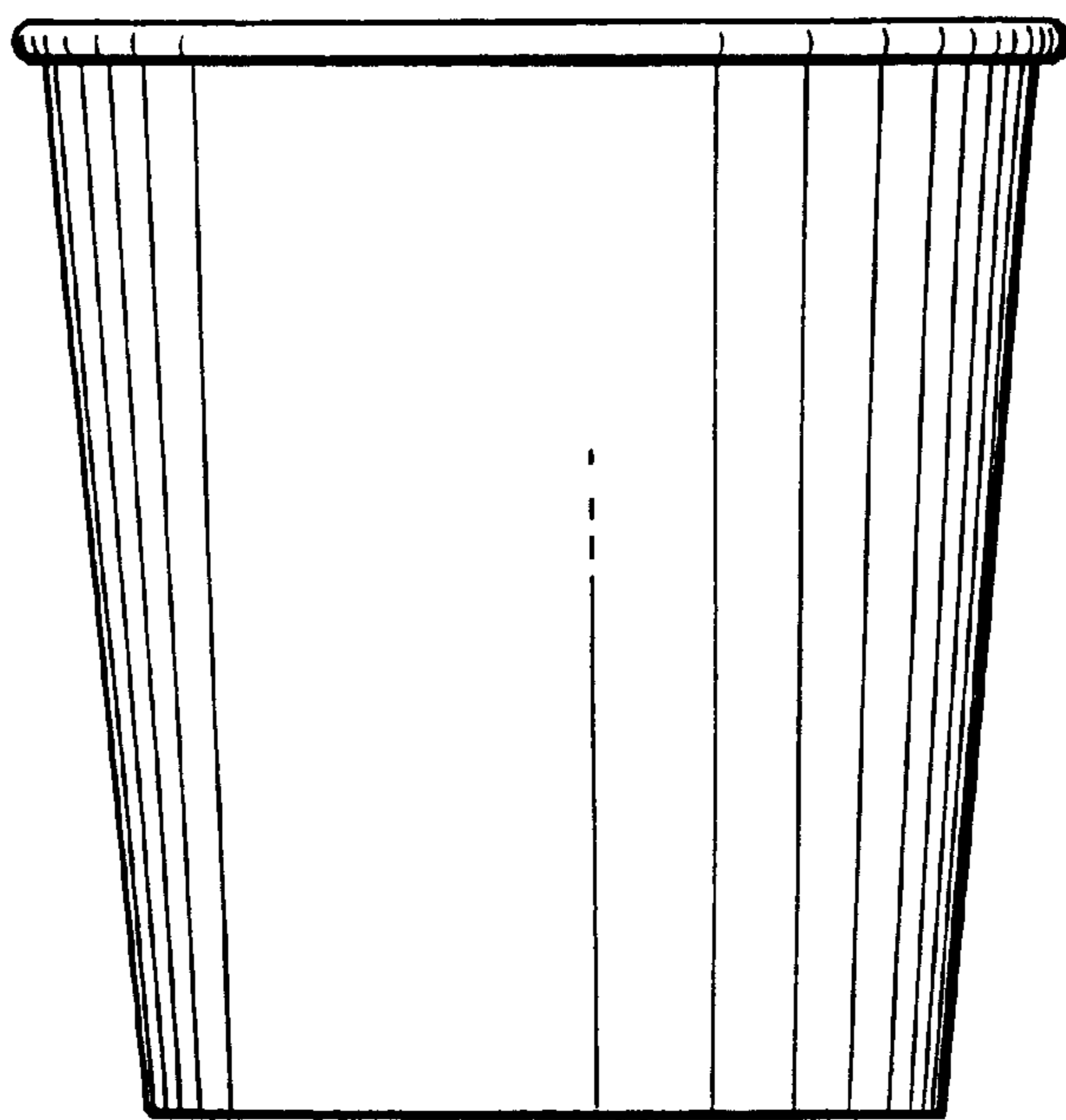


FIG. 3

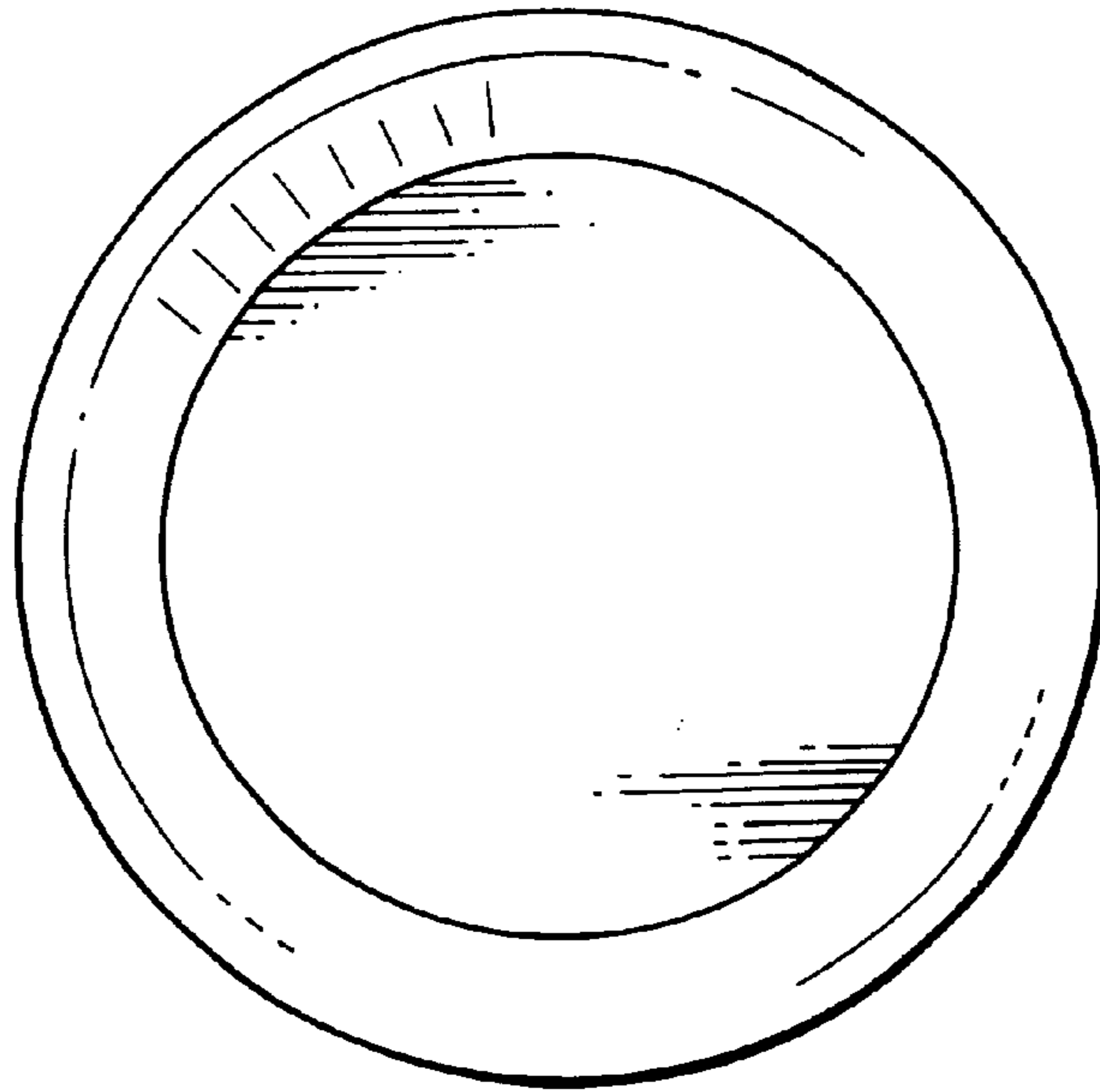


FIG. 4

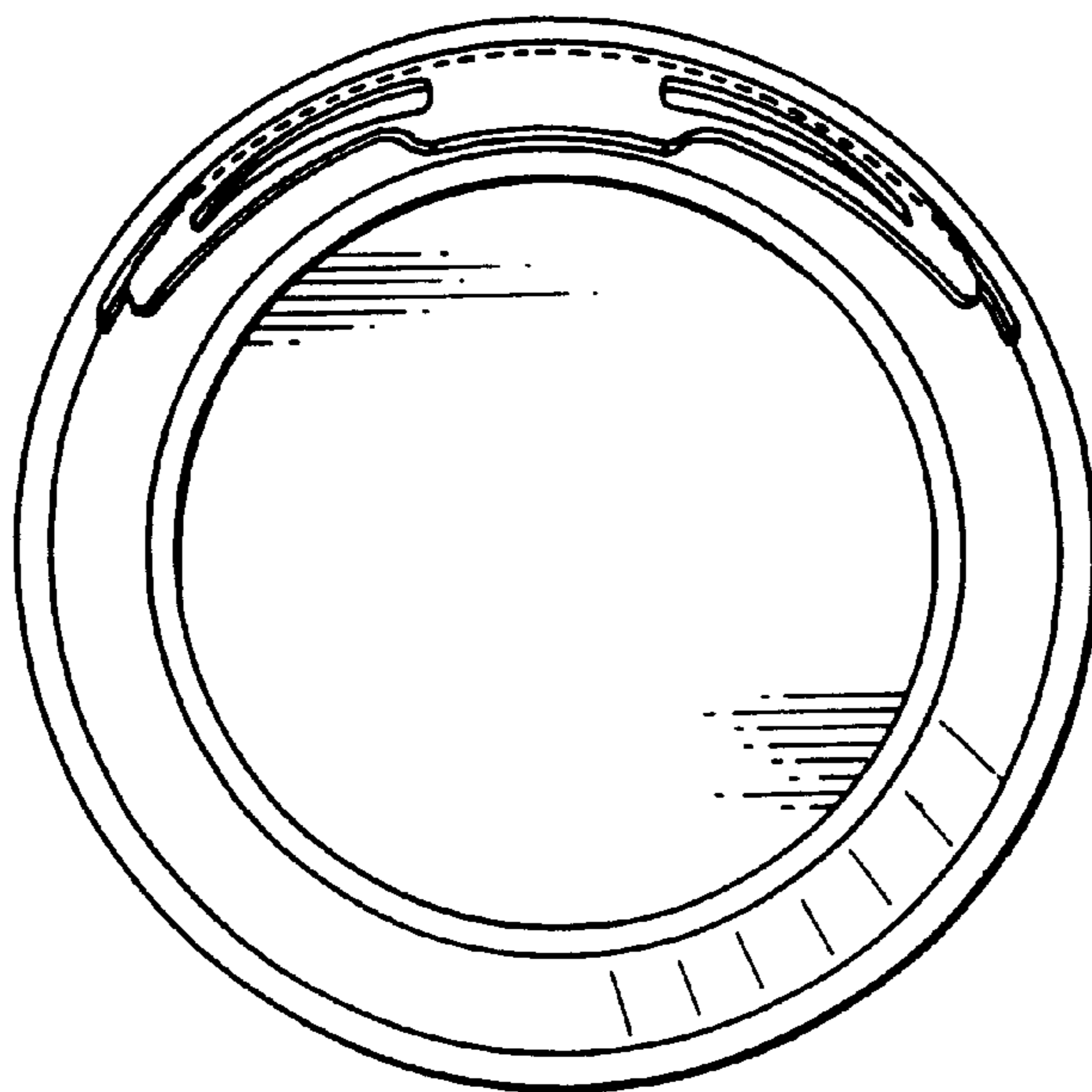


FIG. 5

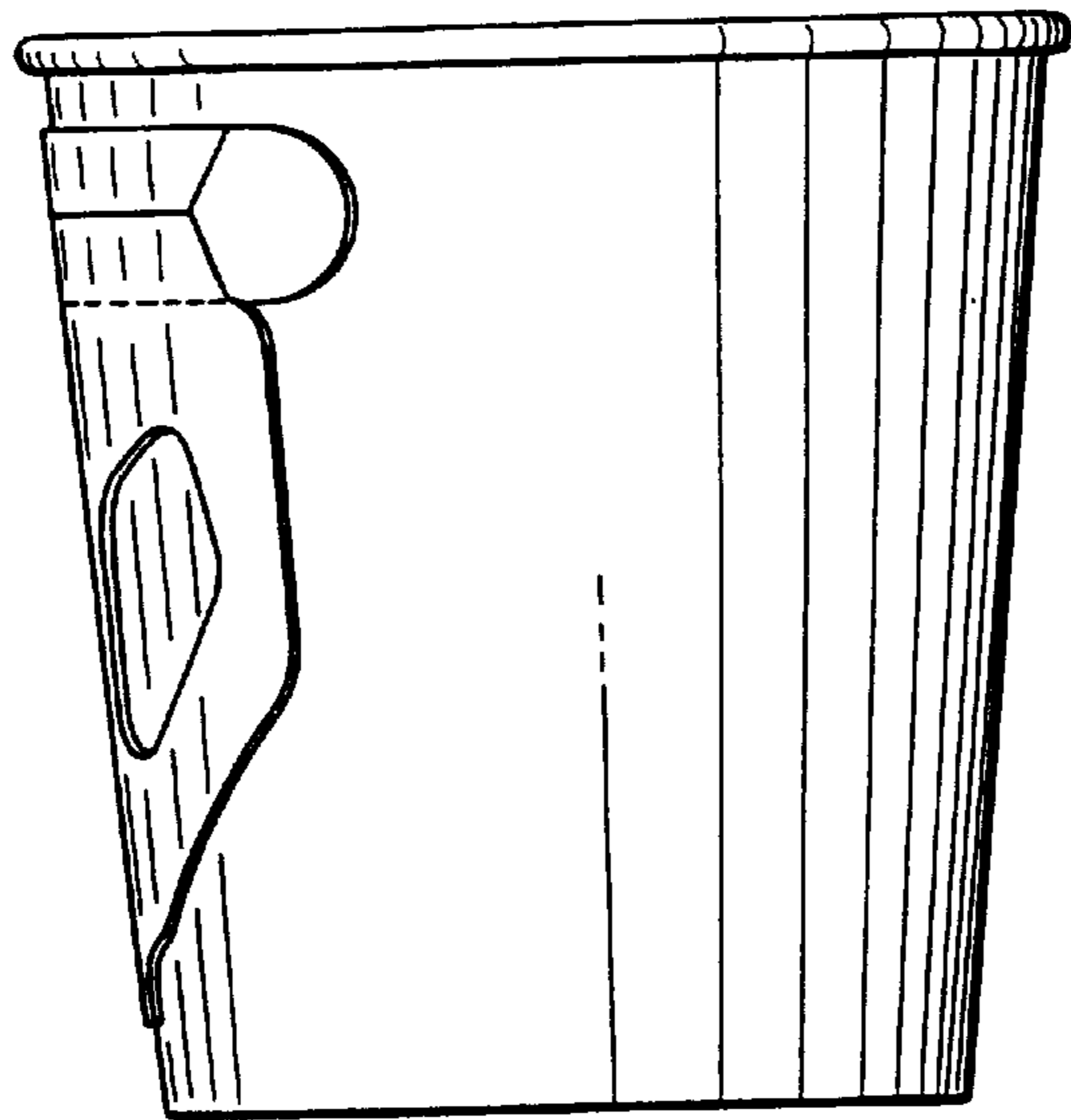


FIG. 6

