



US00D449958B1

(12) **United States Design Patent**
Liu

(10) **Patent No.:** **US D449,958 S**

(45) **Date of Patent:** **** Nov. 6, 2001**

(54) **STACKED FOOD STEAMER**

(75) Inventor: **Anita Suk Ping Liu**, Orlando, FL (US)

(73) Assignee: **Dart Industries Inc.**, Orlando, FL (US)

(**) Term: **14 Years**

(21) Appl. No.: **29/141,044**

(22) Filed: **Apr. 27, 2001**

(51) **LOC (7) Cl.** **07-02**

(52) **U.S. Cl.** **D7/356**

(58) **Field of Search** D7/323, 354-360;
99/324, 325, 329 R, 339, 340; 220/573.1,
573.4, 573.5

(56) **References Cited**

U.S. PATENT DOCUMENTS

D. 297,100	*	8/1988	Schaller	D7/356
D. 348,805		7/1994	Cautereels	D7/602
D. 363,635		10/1995	Cashin et al.	D7/354
D. 376,067		12/1996	Littmann	D7/360
D. 386,042		11/1997	Miller	D7/396
D. 396,600		8/1998	Otero	D7/356

D. 435,392	*	12/2000	Jo	D7/356
3,941,967		3/1976	Sumi et al.	.	
5,653,161		8/1997	Nopanen et al.	99/415
5,865,104		2/1999	Sham et al.	99/417
5,974,953		11/1999	Messerli	99/340

* cited by examiner

Primary Examiner—Caron D. Veynar

(74) *Attorney, Agent, or Firm*—Taylor J. Ross

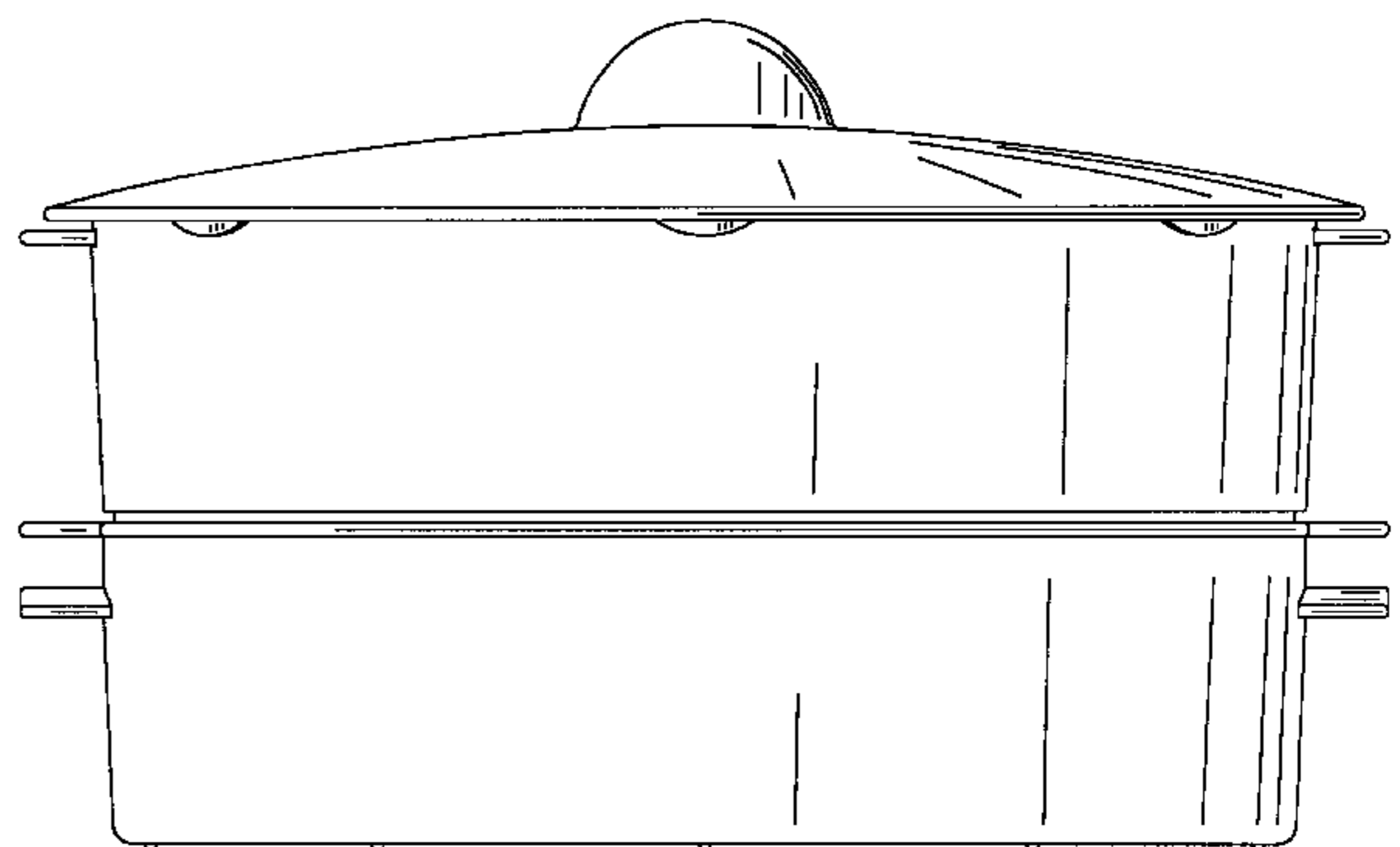
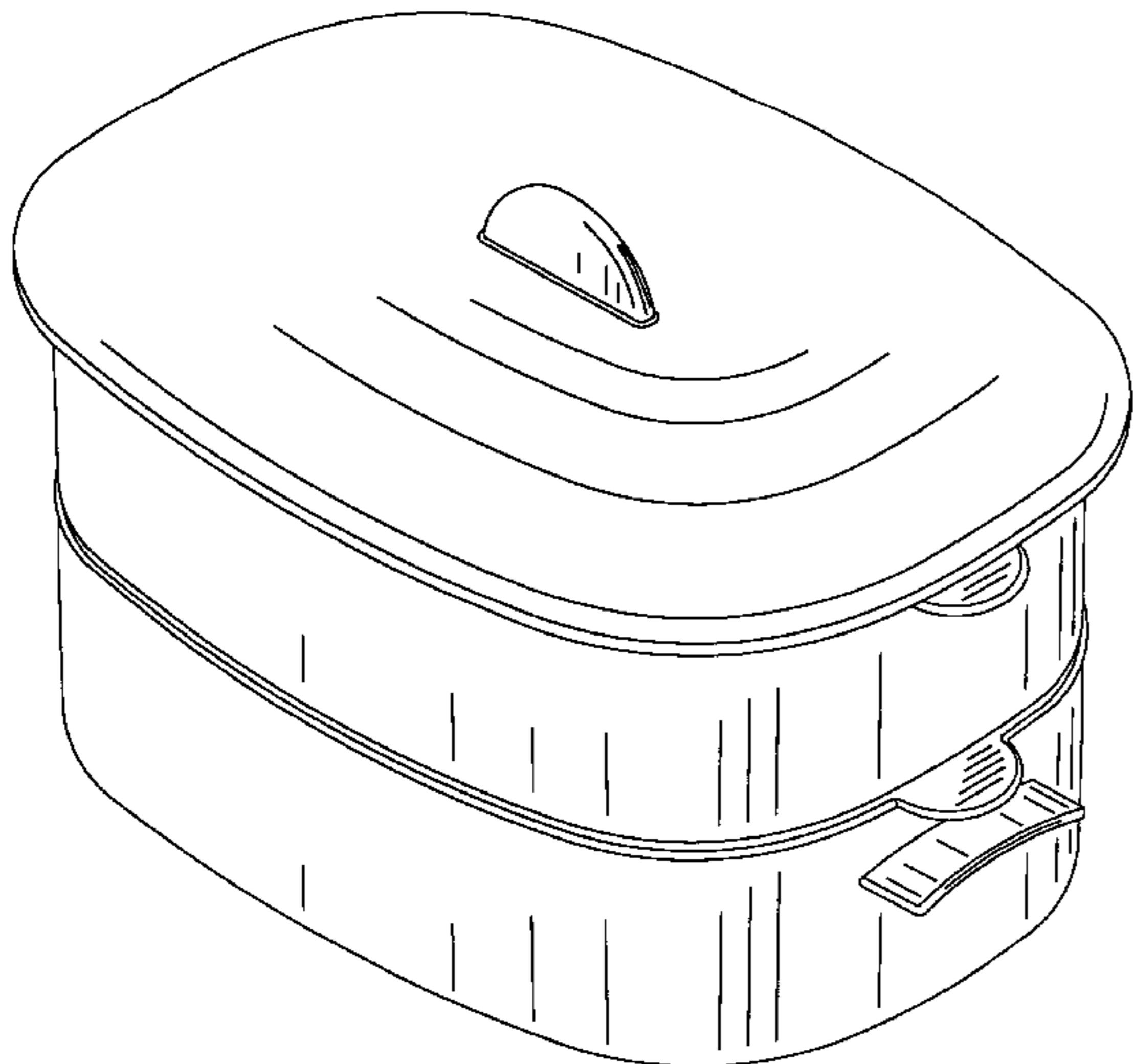
(57) **CLAIM**

The ornamental design for a stacked food steamer, as shown and described.

DESCRIPTION

FIG. 1 is a top, side and front perspective view of a stacked food steamer showing the new design; FIG. 2 is a front elevation view thereof; FIG. 3 is a rear elevation view thereof; FIG. 4 is a right side elevation view thereof; FIG. 5 is a left side elevation view thereof; FIG. 6 is a top plan view thereof; and, FIG. 7 is a bottom plan view thereof.

1 Claim, 4 Drawing Sheets



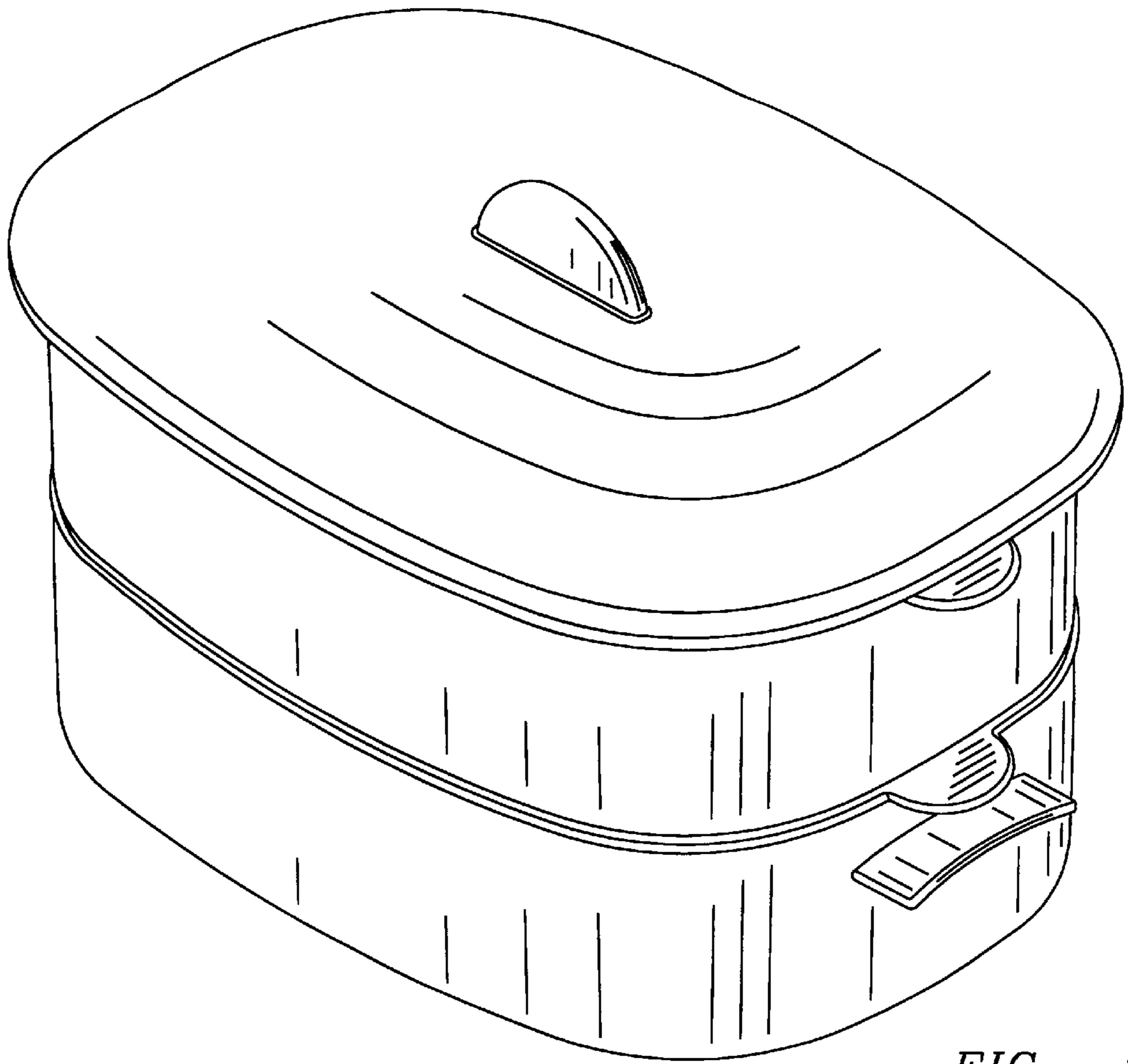


FIG. 1

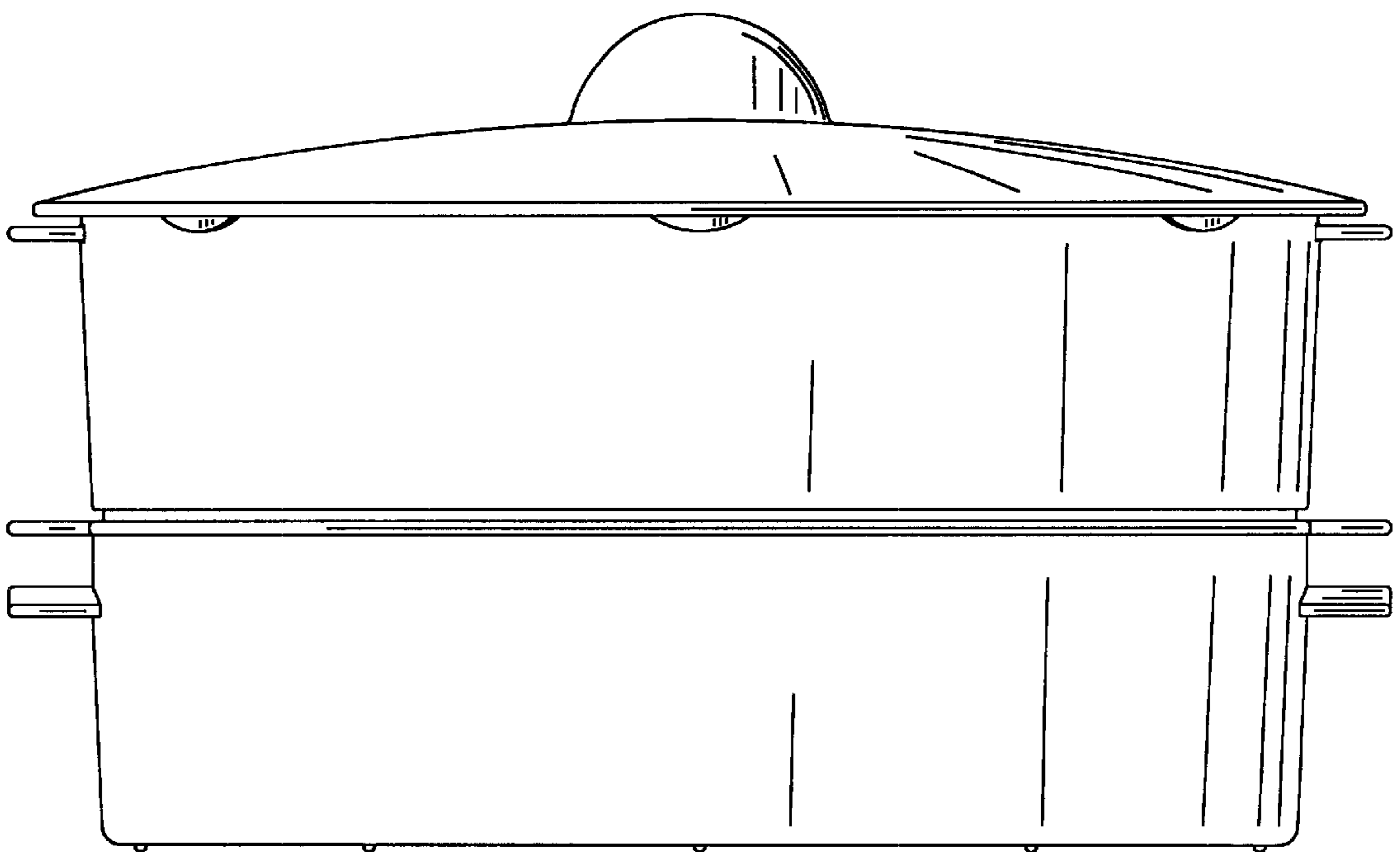


FIG. 2

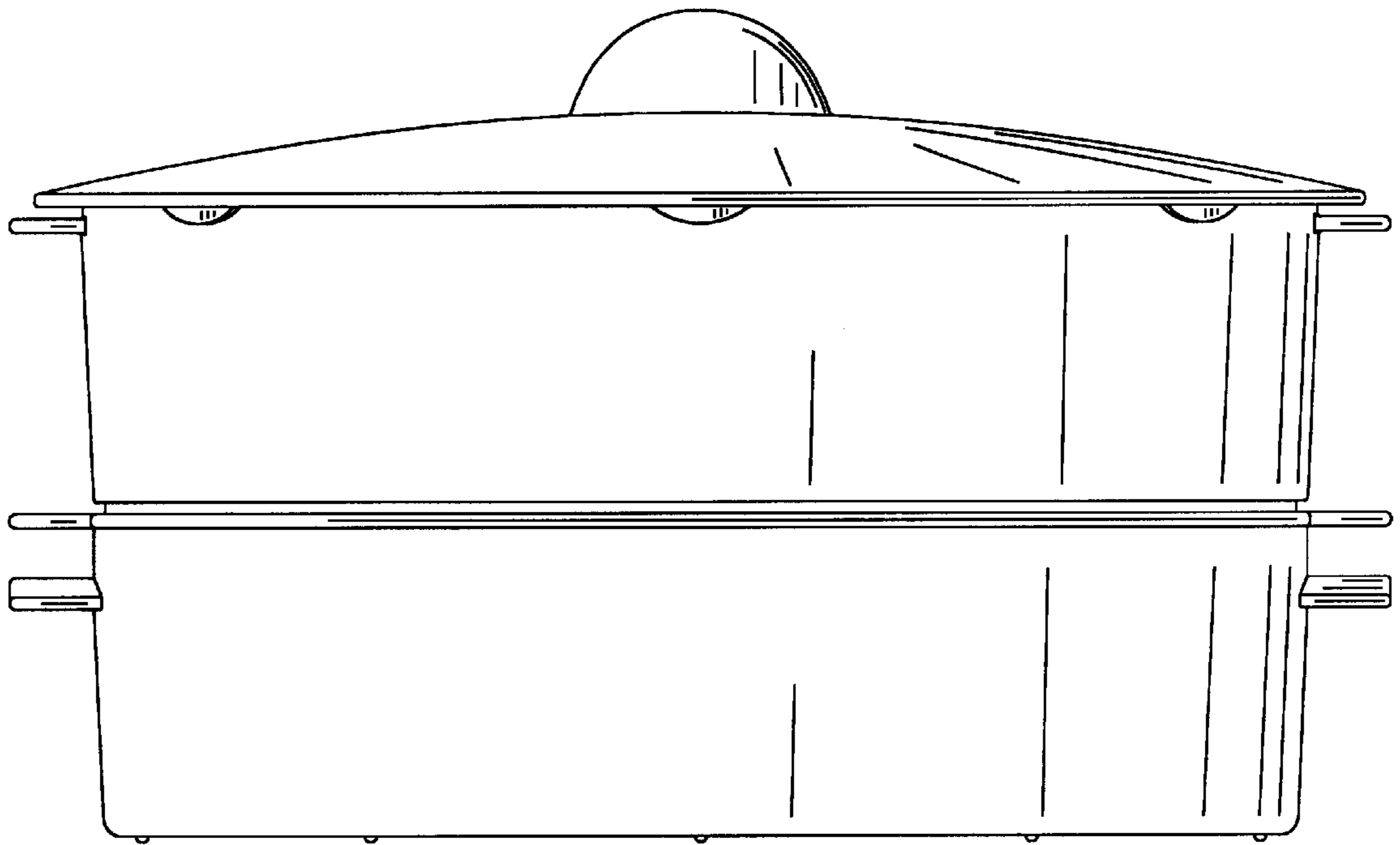


FIG. 3

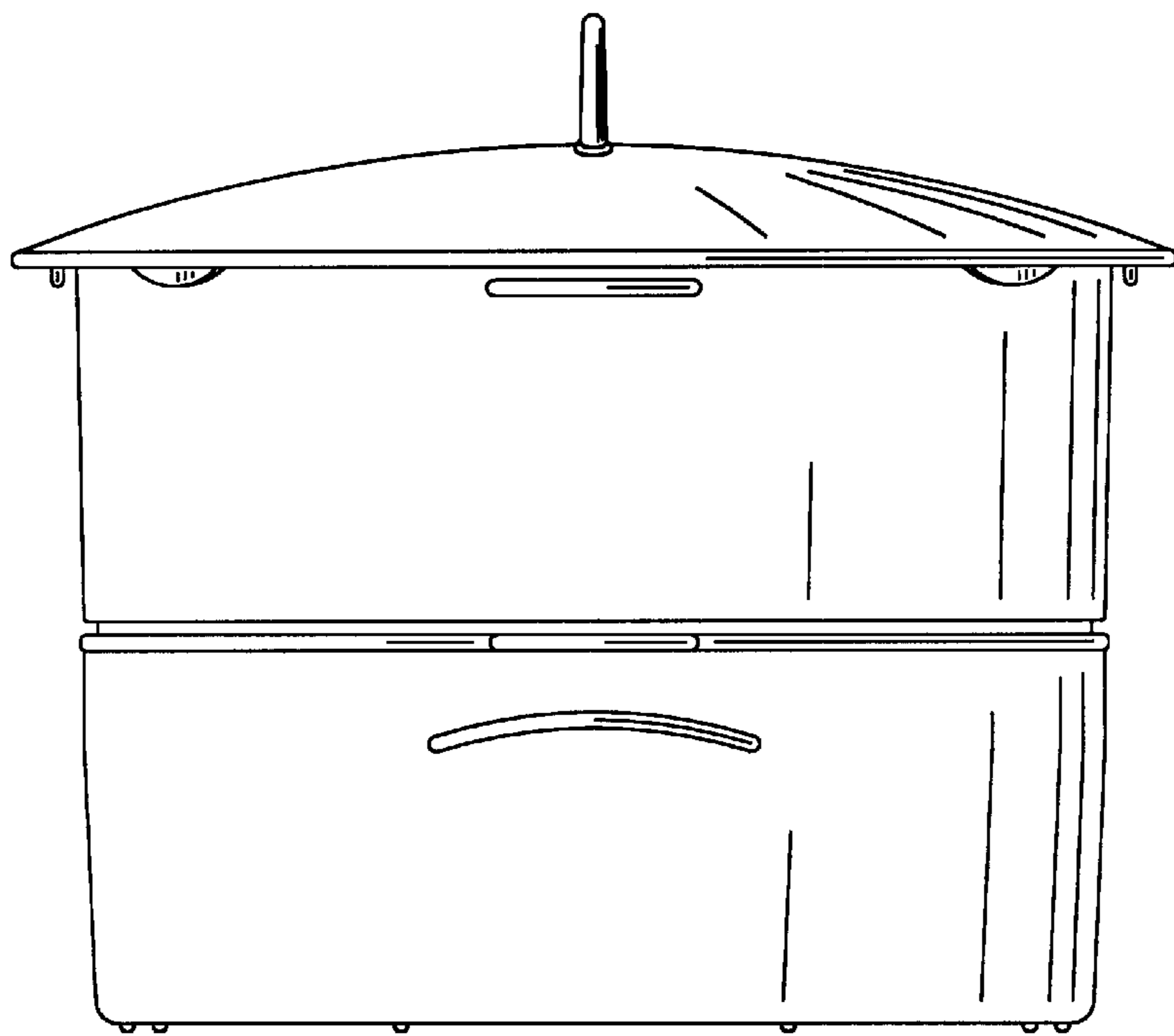


FIG. 4

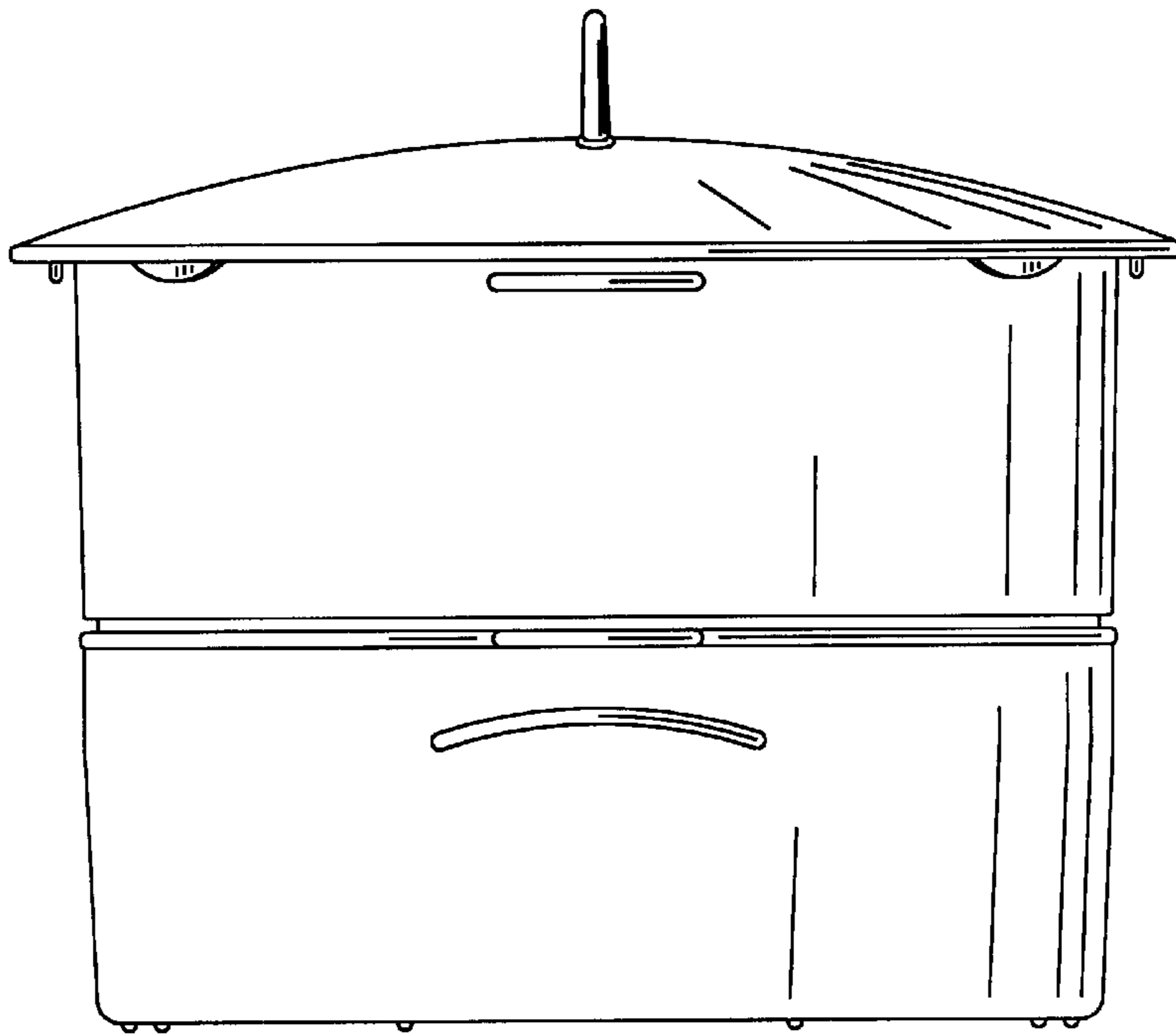


FIG. 5

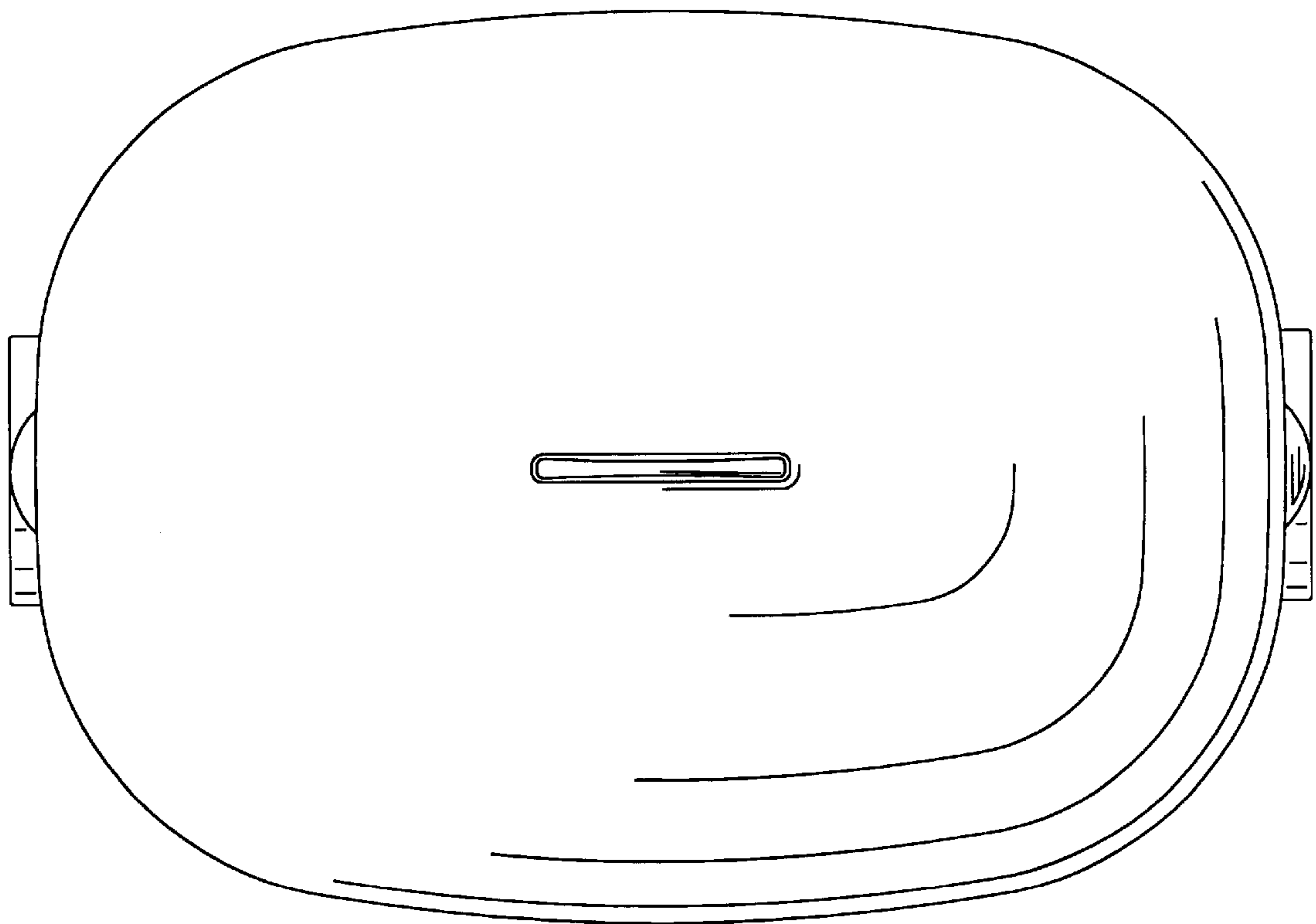


FIG. 6

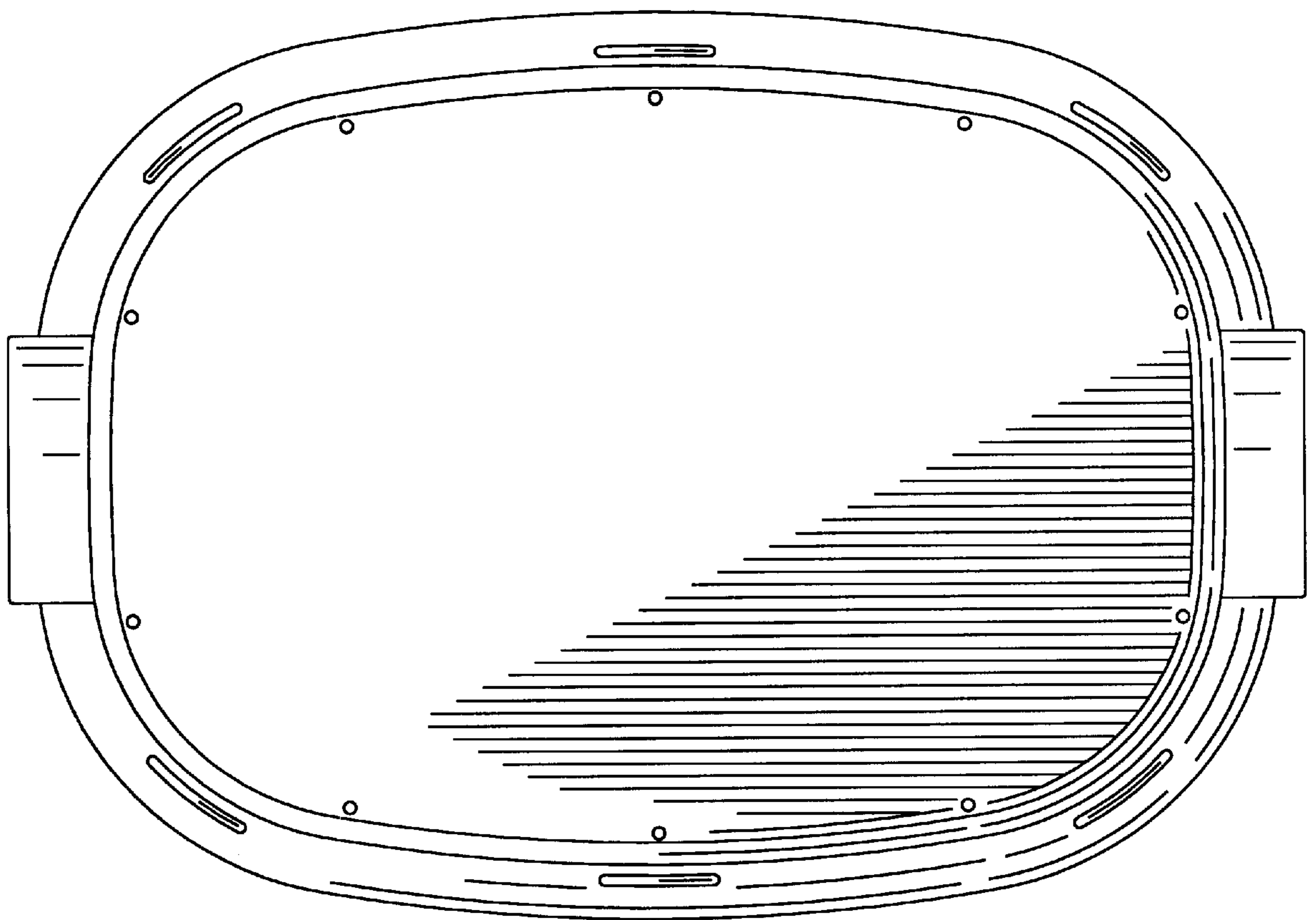


FIG. 7