



US00D449957B1

(12) **United States Design Patent**  
**Yeh**

(10) **Patent No.:** **US D449,957 S**

(45) **Date of Patent:** **\*\* Nov. 6, 2001**

(54) **COFFEE MAKER**

(76) **Inventor:** **Chung-Jang Yeh**, No. 87, Bei Mei Road, Ho Mei Town, Chang Hua Hsien (TW)

(\*\*) **Term:** **14 Years**

(21) **Appl. No.:** **29/123,705**

(22) **Filed:** **May 24, 2000**

(51) **LOC (7) Cl.** ..... **07-01**

(52) **U.S. Cl.** ..... **D7/319; D7/317**

(58) **Field of Search** ..... D7/300, 312, 316, D7/321, 317, 318, 319; 222/144.5, 465.1, 572, 473; 99/279, 285, 297; 215/12.1, 12.2; D23/209, 207; 220/504

(56) **References Cited**

**U.S. PATENT DOCUMENTS**

- D. 337,236 \* 7/1993 Sambinelli ..... D7/317
- D. 342,414 \* 12/1993 Jorgensen ..... D7/317
- D. 343,333 \* 1/1994 Jorgensen ..... D7/317
- D. 343,760 \* 2/1994 Lin ..... D7/318
- D. 372,627 \* 8/1996 Ireland ..... D7/319
- D. 386,040 \* 11/1997 Joergensen ..... D7/317

- D. 388,275 \* 12/1997 Joergensen ..... D7/319
- D. 401,466 \* 11/1998 Joergensen ..... D7/318
- D. 405,641 \* 2/1999 Brady ..... D7/319
- D. 405,642 \* 2/1999 Toriba ..... D7/319
- D. 413,480 \* 9/1999 Joergensen ..... D7/317
- D. 444,989 \* 7/2001 Lin ..... D7/319

\* cited by examiner

*Primary Examiner*—M. N. Pandozzi

(74) *Attorney, Agent, or Firm*—Bacon & Thomas, PLLC

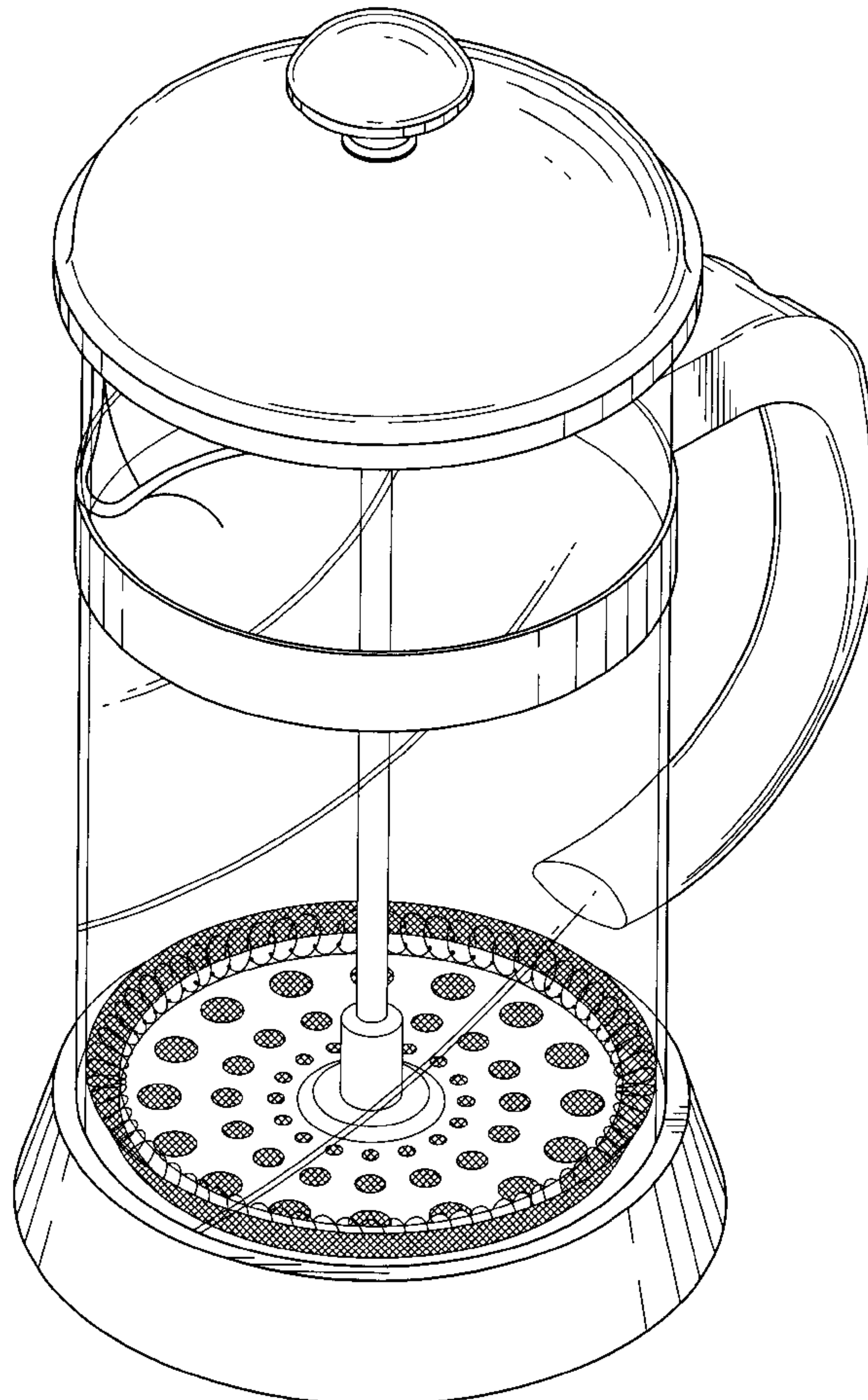
(57) **CLAIM**

The ornamental design for coffee maker, as shown and described.

**DESCRIPTION**

FIG. 1 is a perspective view of coffee maker showing my new design;  
 FIG. 2 is a front elevational view thereof;  
 FIG. 3 is a rear elevational view thereof;  
 FIG. 4 is a right side elevational view thereof;  
 FIG. 5 is a left side elevational view thereof;  
 FIG. 6 is a top plan view thereof; and,  
 FIG. 7 is a bottom plan view thereof.

**1 Claim, 7 Drawing Sheets**



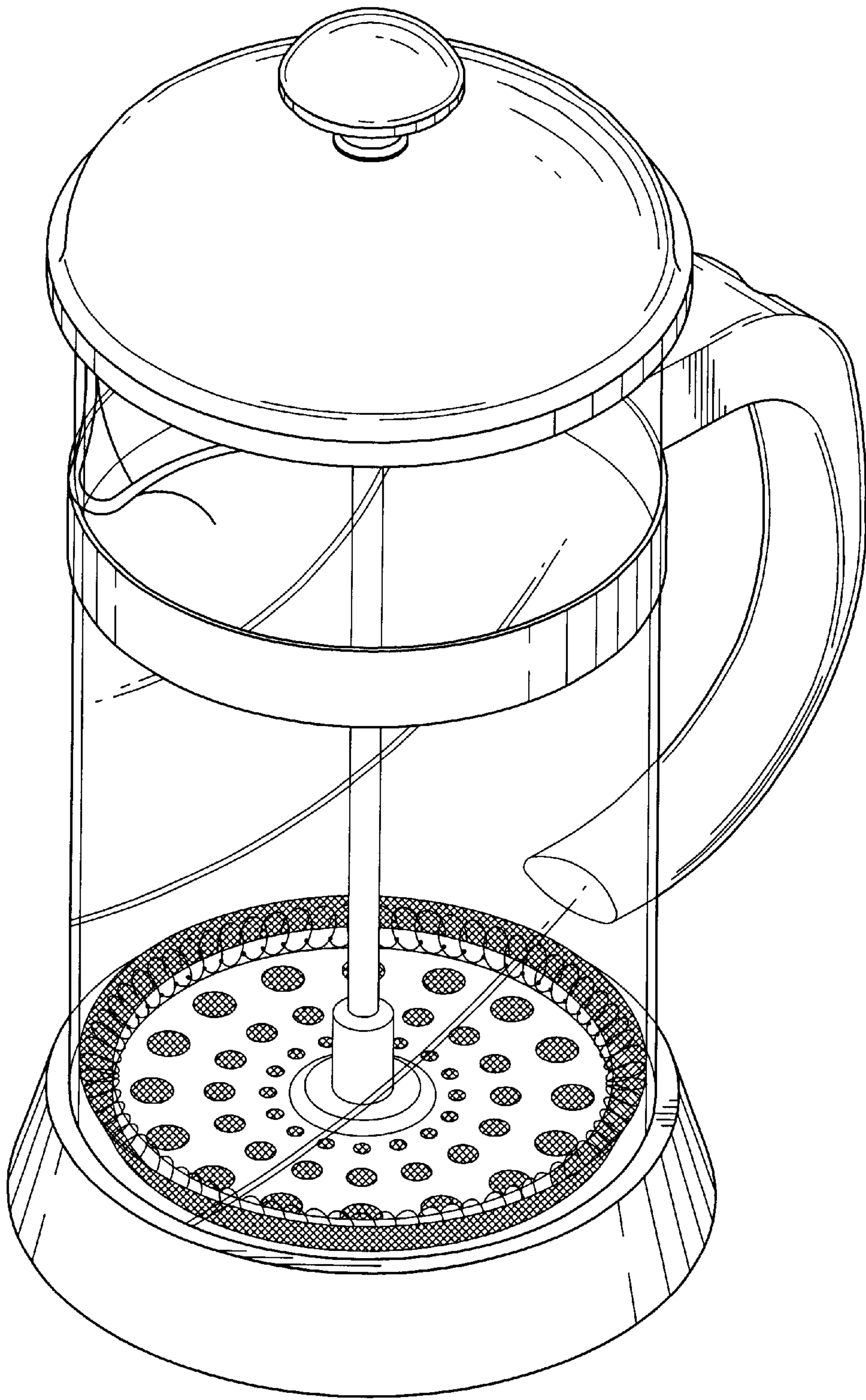


Fig. 1

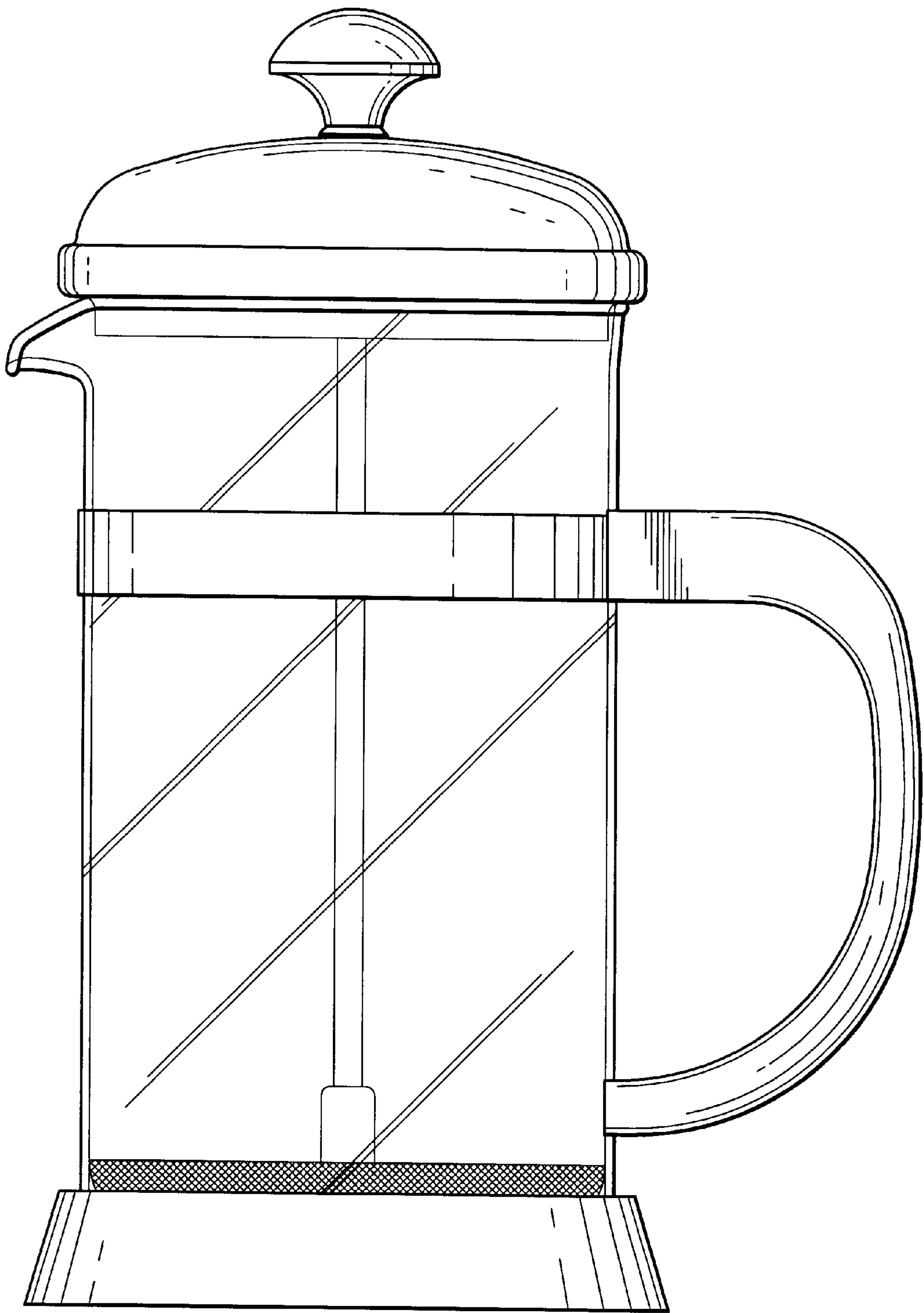


Fig. 2



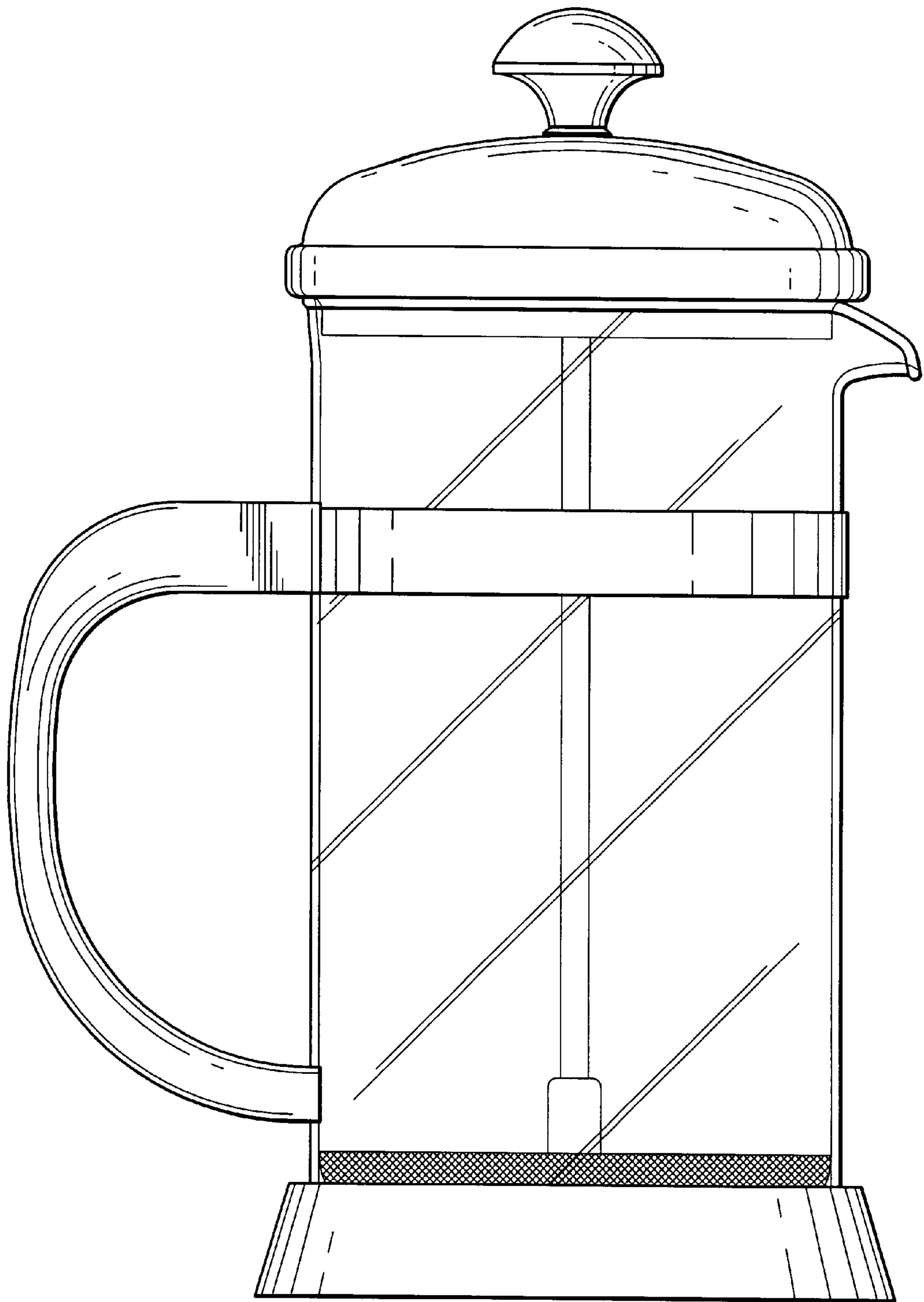


Fig. 3

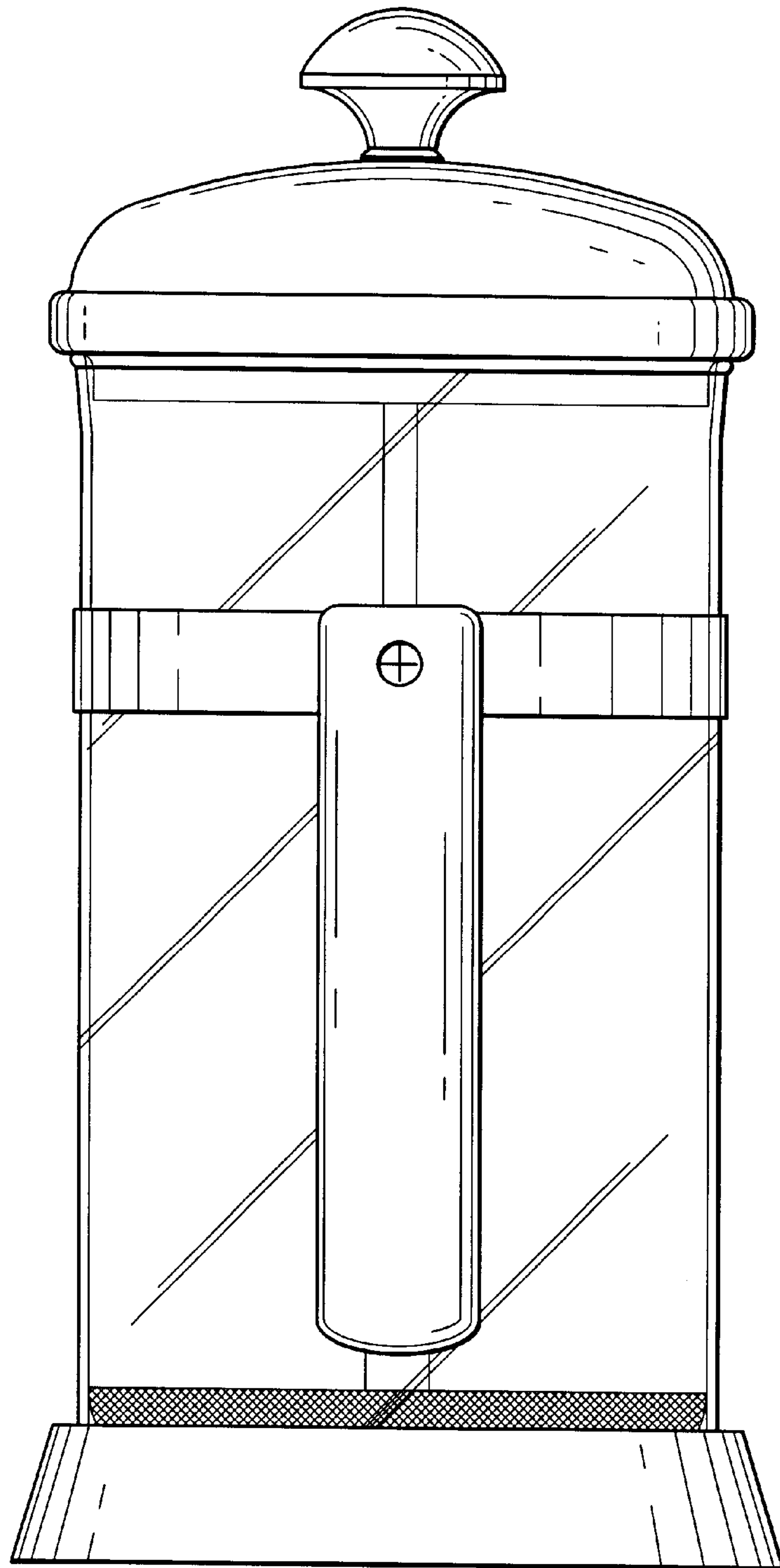


Fig. 4

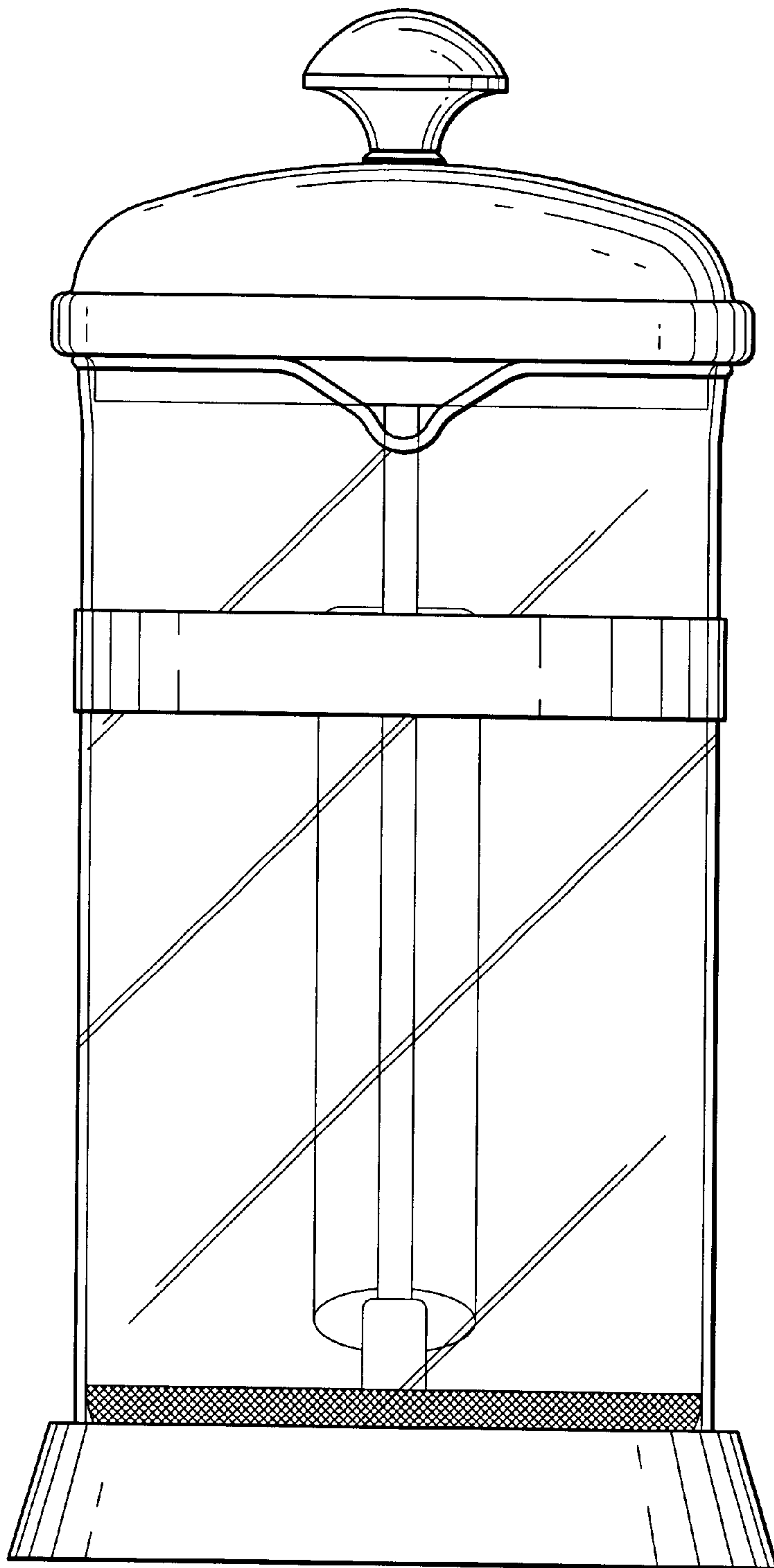


Fig. 5

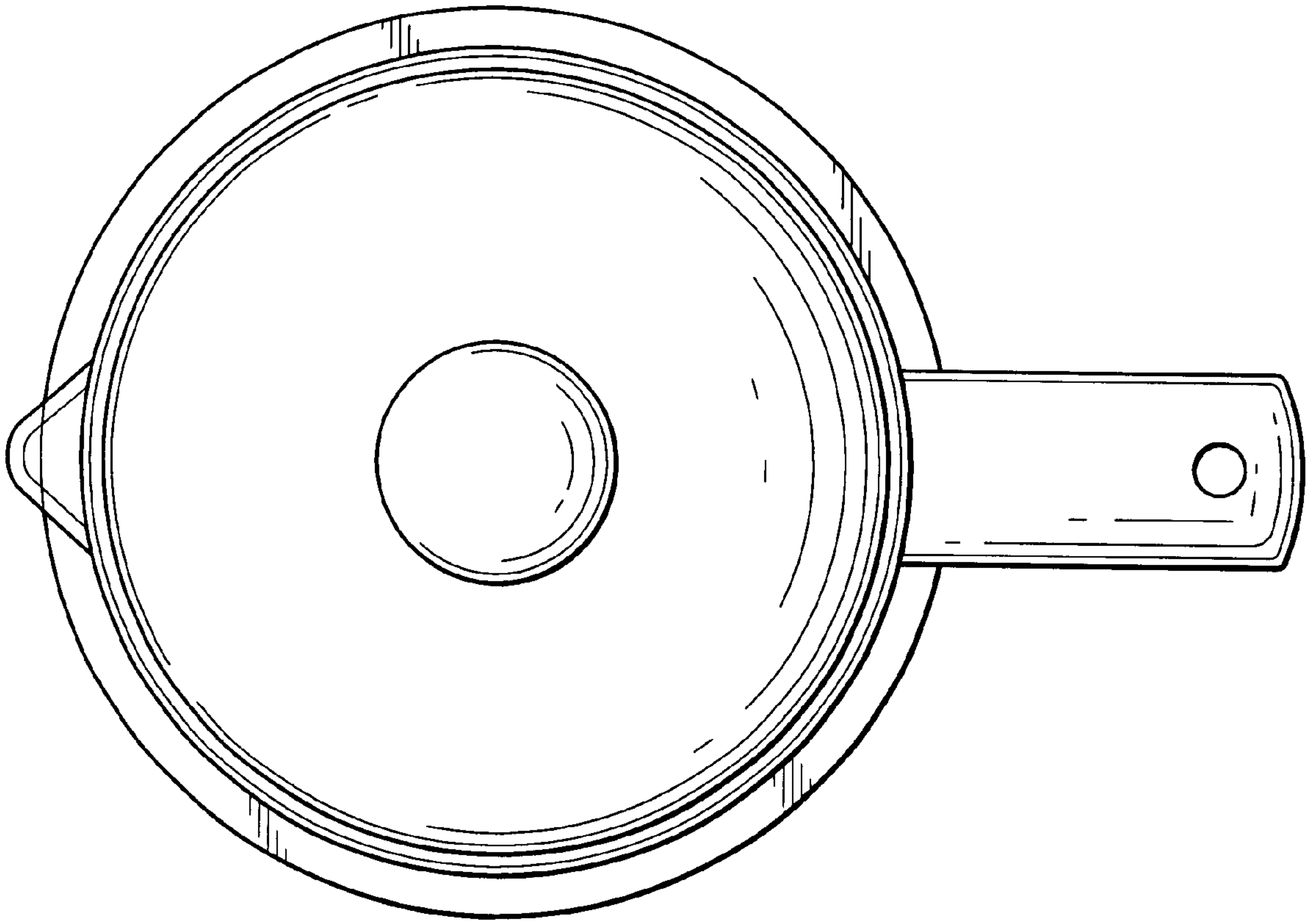


Fig. 6

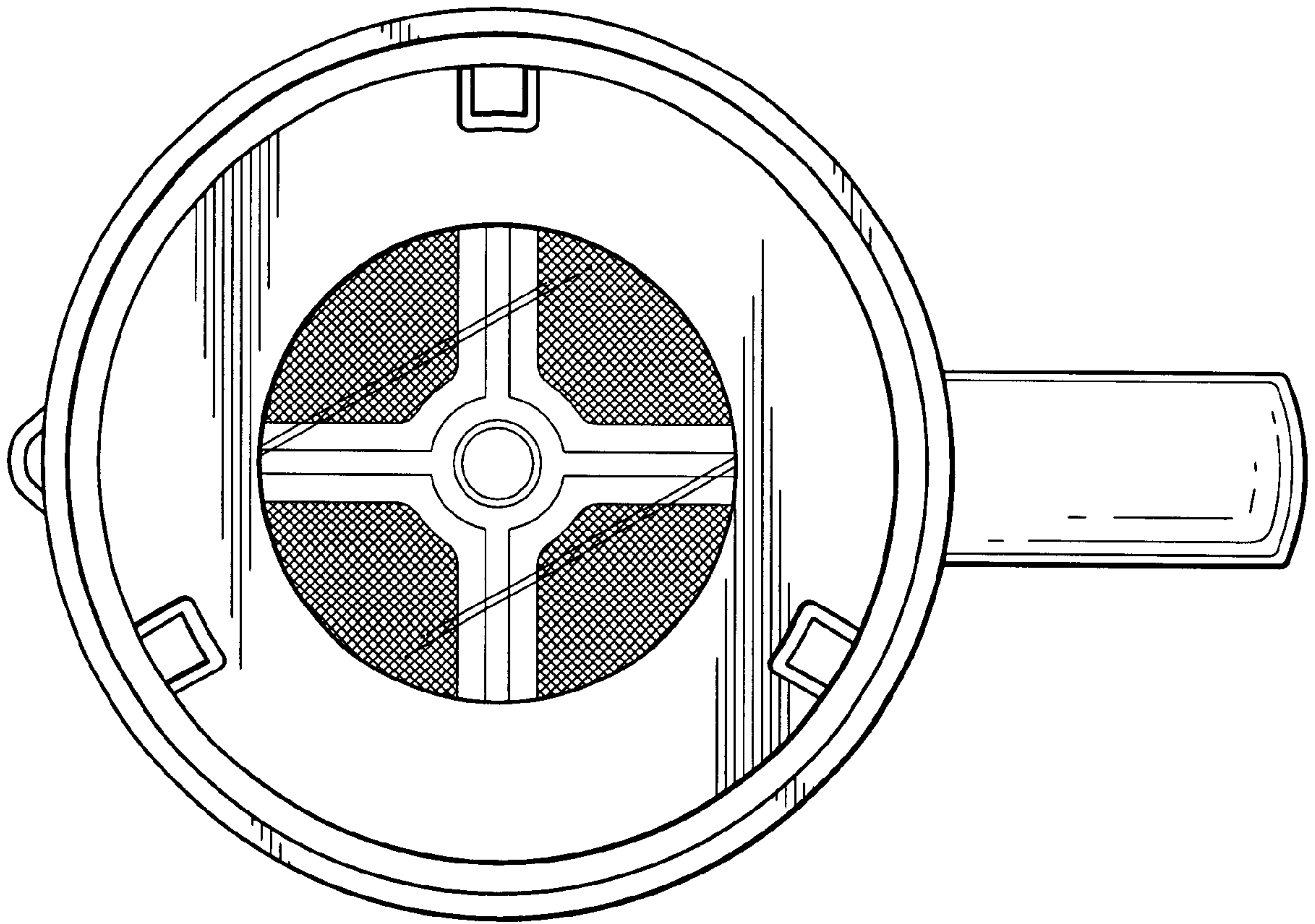


Fig. 7