



US00D449956B1

(12) **United States Design Patent**
Drennow

(10) **Patent No.: US D449,956 S**

(45) **Date of Patent: ** Nov. 6, 2001**

- (54) **DISPENSER FOR LIQUID FOODSTUFF**
- (76) Inventor: **Sten Drennow**, Östervångsvägen 4,
S-224 60 Lund (SE)
- (**) Term: **14 Years**
- (21) Appl. No.: **29/117,579**
- (22) Filed: **Jan. 28, 2000**
- (30) **Foreign Application Priority Data**
Sep. 27, 1999 (SE) 99-1728
- (51) **LOC (7) Cl.** **07-01**
- (52) **U.S. Cl.** **D7/317; D7/316**
- (58) **Field of Search** D7/300, 312, 316,
D7/317, 321, 598; 220/574, 300, 23.86;
222/572, 566, 183, 556; 215/13.1; 210/180

(56) **References Cited**

U.S. PATENT DOCUMENTS

- D. 177,434 * 4/1956 Schreckengost D7/316
- D. 187,612 * 4/1960 Wistrand D7/317
- D. 206,345 * 11/1966 Kelly D7/321
- D. 247,737 * 4/1978 Alexander et al. D7/691
- D. 285,515 * 9/1986 Papciak D7/509

- D. 313,726 * 1/1991 Scherer D7/317
- D. 345,669 * 4/1994 Piret D7/319
- D. 418,714 * 1/2000 Fox et al. D7/319
- D. 432,204 * 10/2000 Brady D23/209
- 2,909,172 * 10/1959 Caniglia 126/386.1
- 3,152,735 * 10/1964 Caldwell 222/455

* cited by examiner

Primary Examiner—M. N. Pandozzi

(74) *Attorney, Agent, or Firm*—Tarolli, Sundheim, Covell,
Tummino & Szabo L.L.P.

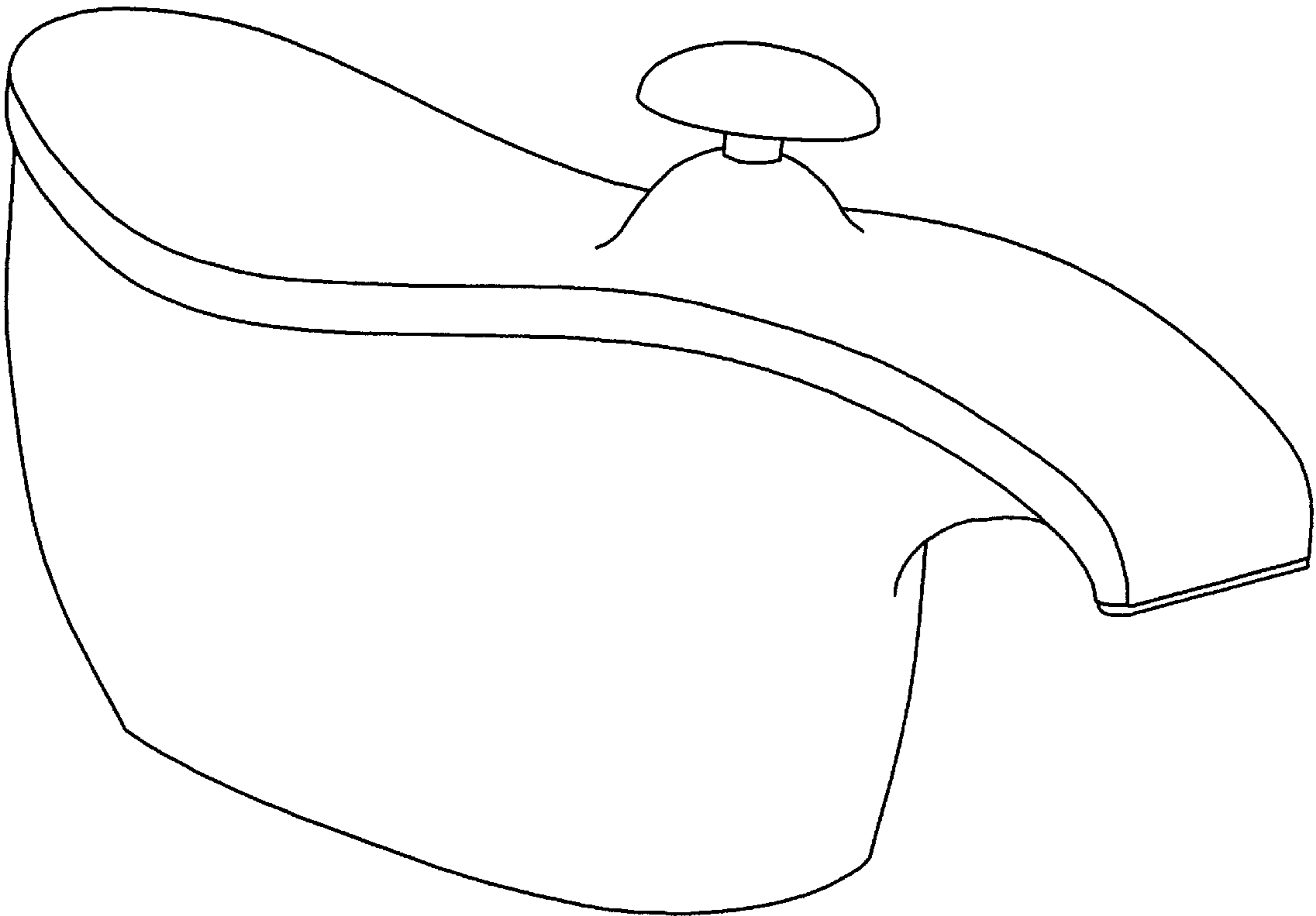
(57) **CLAIM**

The ornamental design for a dispenser for liquid foodstuff,
as shown and described.

DESCRIPTION

FIG. 1 is a perspective view of the dispenser;
 FIG. 2 is a side elevational view of the dispenser;
 FIG. 3 is a side elevational view of the opposite side of the
 dispenser;
 FIG. 4 is a top plan view of the dispenser;
 FIG. 5 is a bottom plan view of the dispenser;
 FIG. 6 is a front elevational view of the dispenser; and,
 FIG. 7 is a rear elevational view of the dispenser.

1 Claim, 7 Drawing Sheets



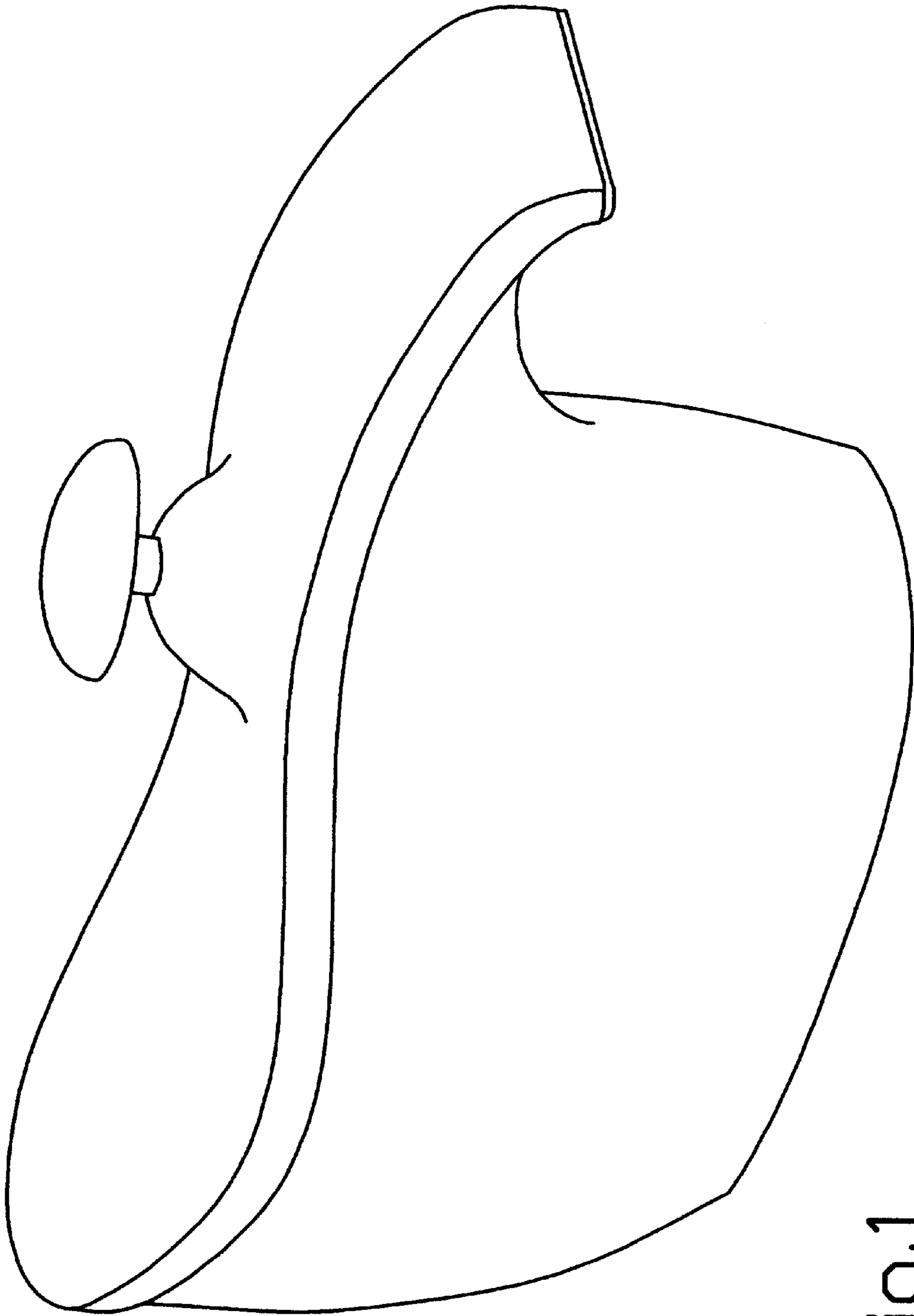


FIG. 1

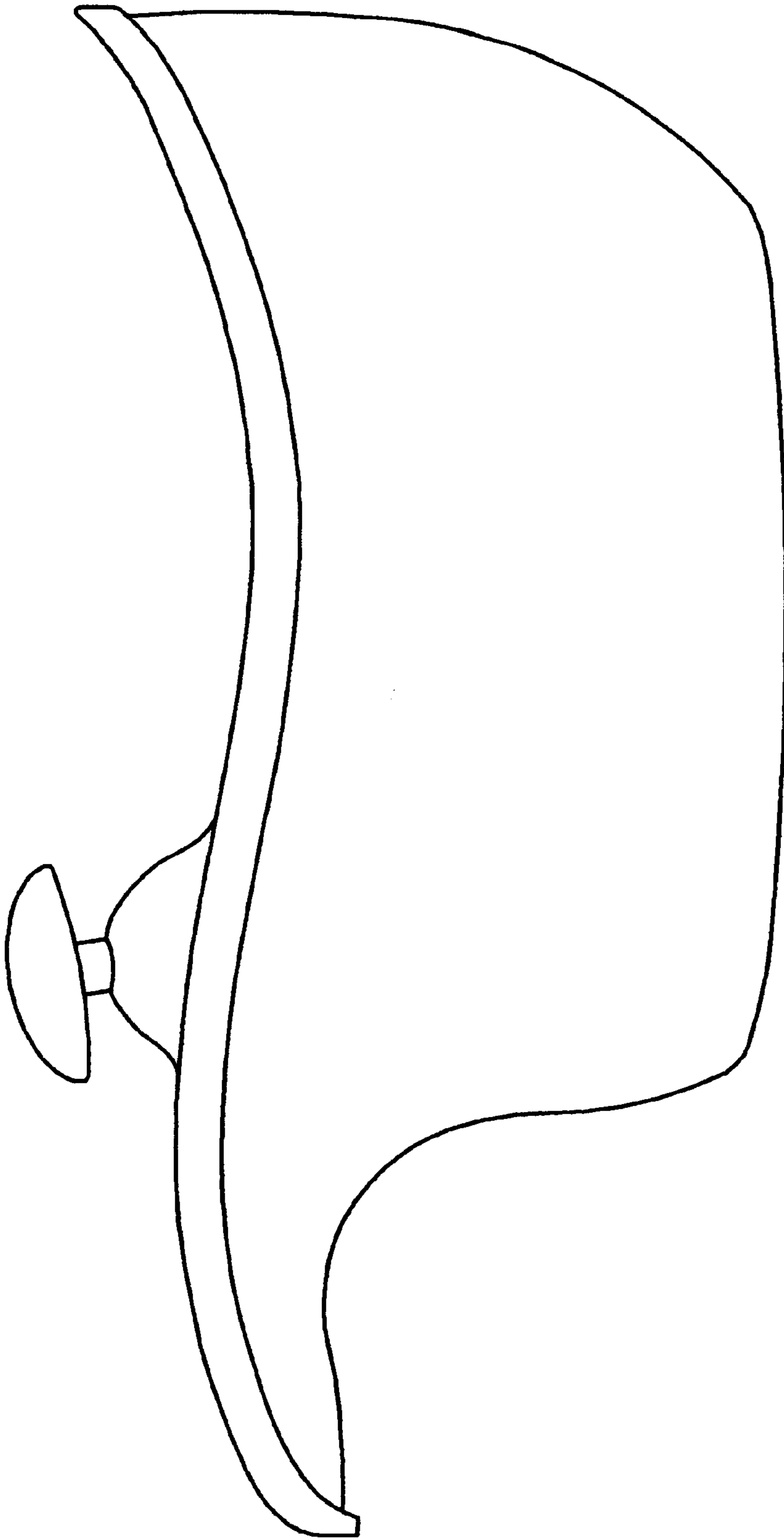


FIG. 2

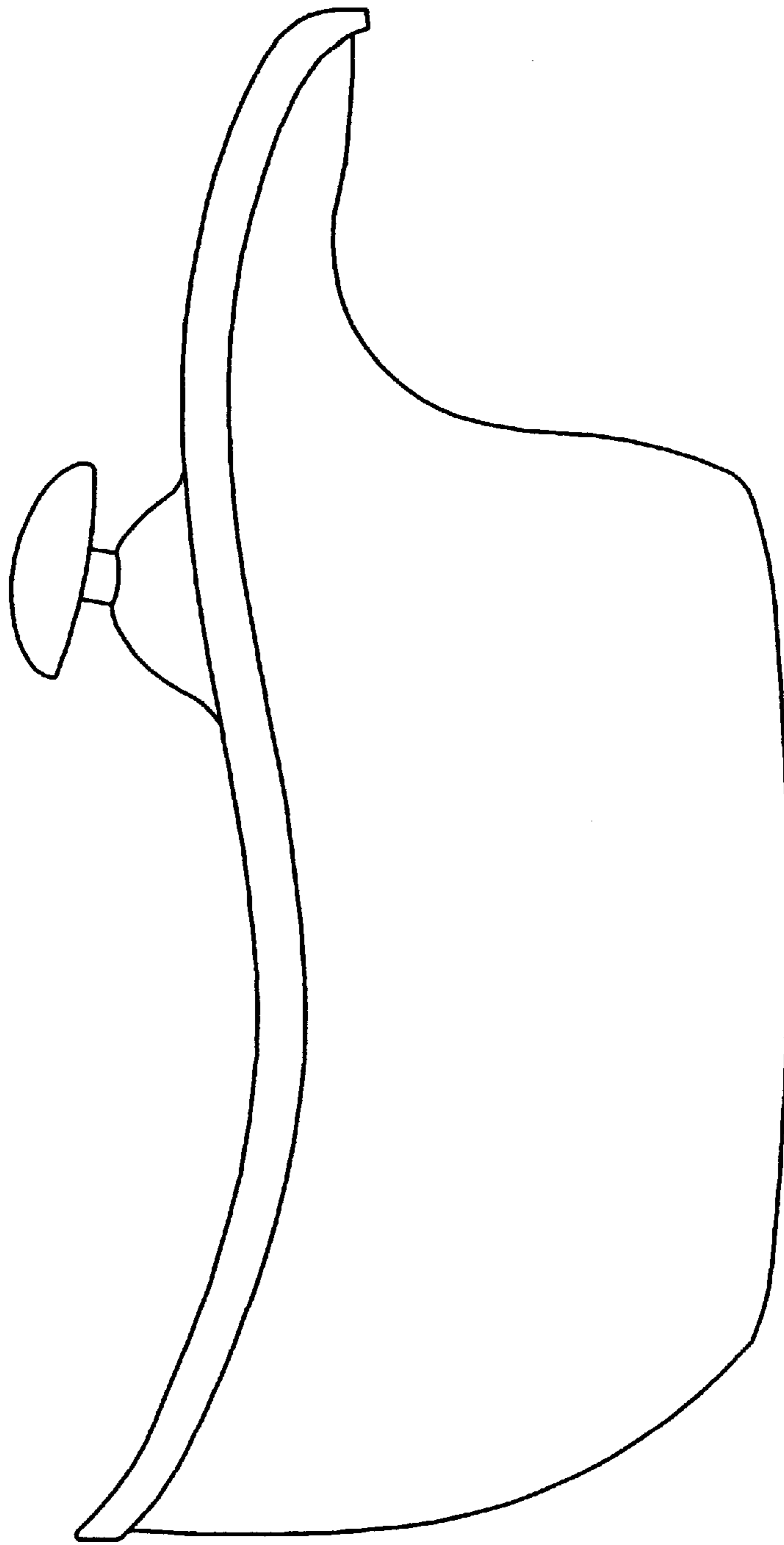


FIG. 3

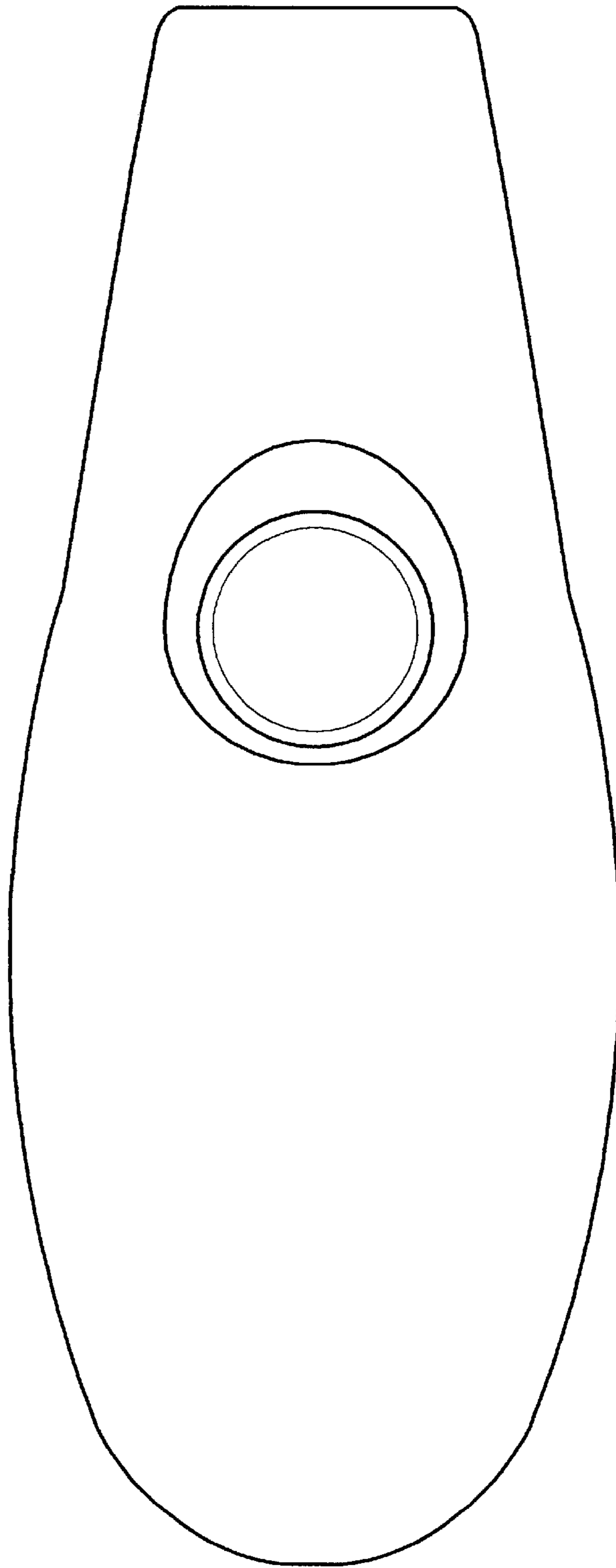


Fig.4

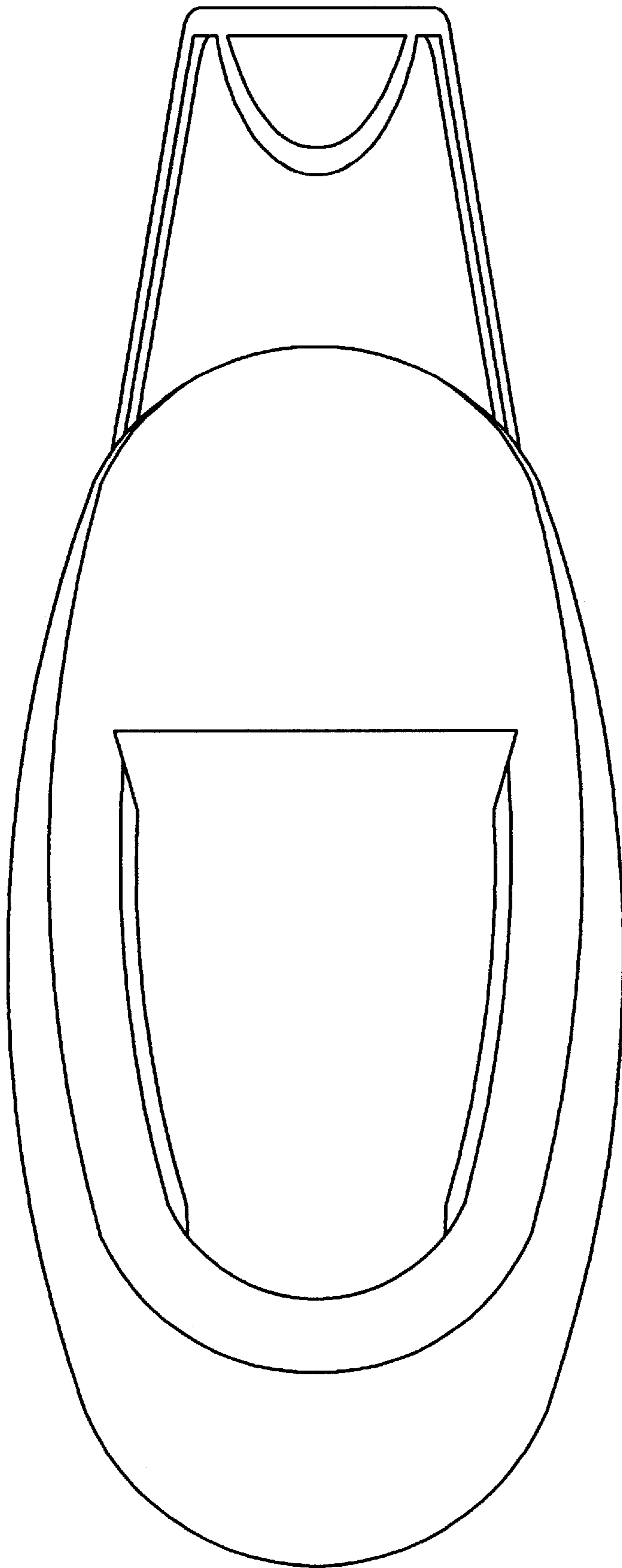


Fig.5

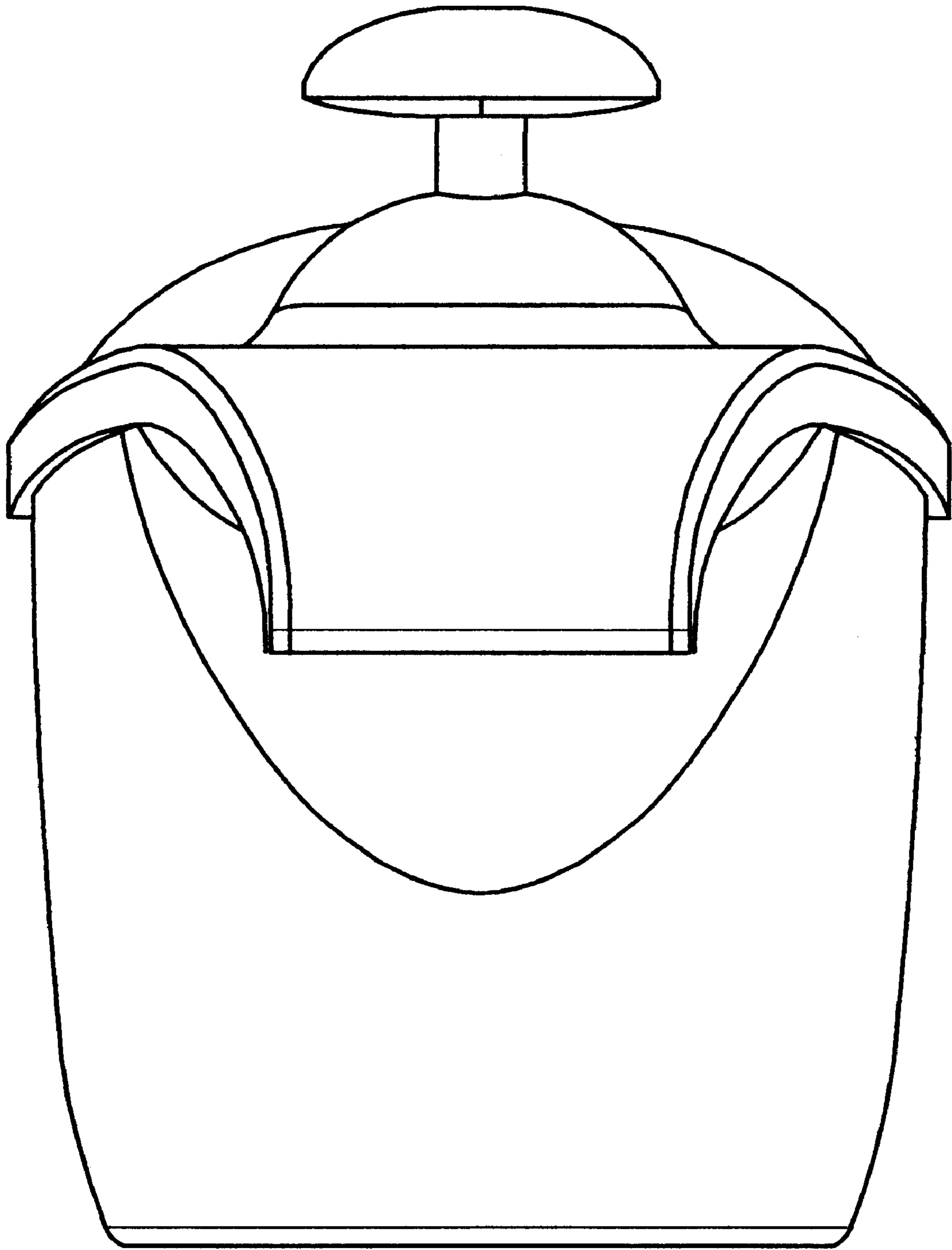


Fig.6

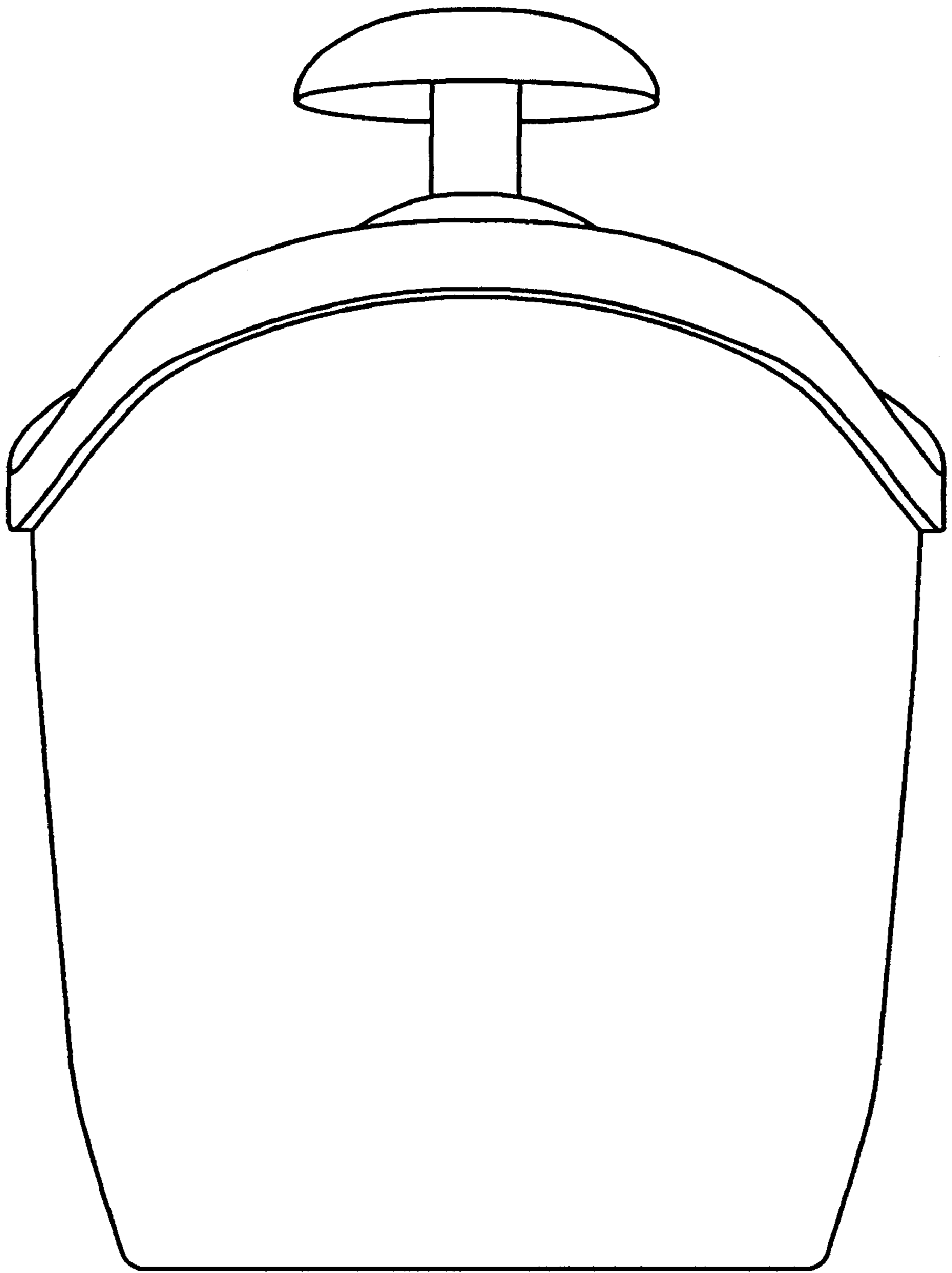


Fig. 7