



US00D449952B1

(12) **United States Design Patent**
Lyndon

(10) **Patent No.:** **US D449,952 S**

(45) **Date of Patent:** **** Nov. 6, 2001**

(54) **TOWEL BAR**

(75) **Inventor:** **Maynard Hale Lyndon**, Newton Centre, MA (US)

(73) **Assignee:** **Umbra, Inc.**, Buffalo, NY (US)

(**) **Term:** **14 Years**

(21) **Appl. No.:** **29/135,245**

(22) **Filed:** **Jan. 8, 2001**

(51) **LOC (7) Cl.** **06-04**

(52) **U.S. Cl.** **D6/549**

(58) **Field of Search** D6/546-50, 518, D6/522-24; D8/300, 315-21, 354, 363, 373, 380; 108/28-29; 211/13.1, 16, 60.1, 86.01, 87.01, 88.04, 100, 105.1-105.2, 123, 181.1, 182; 248/175, 176.1, 251, 302; 16/110.1, 412, 415

(56) **References Cited**

U.S. PATENT DOCUMENTS

- D. 281,838 * 12/1985 Thompson D6/323
- D. 334,315 * 3/1993 Bengtson D6/524
- D. 357,841 * 5/1995 Lehn et al. D6/549
- D. 426,095 * 6/2000 Chen D6/549
- D. 427,471 * 7/2000 Chen D6/549

OTHER PUBLICATIONS

Paul Associates Catalogue (1983) p. 38, item 901.*
Baldwin Bath "Epic Accessories" Catalogue (1987) p. 12
"Palm Springs" towel bar.*

* cited by examiner

Primary Examiner—Brian N. Vinson

(74) *Attorney, Agent, or Firm*—Saidman DesignLaw Group

(57) **CLAIM**

The ornamental design for a towel bar, as shown and described.

DESCRIPTION

FIG. 1 is a perspective view of a towel bar showing my new design;

FIG. 2 is a front view thereof;

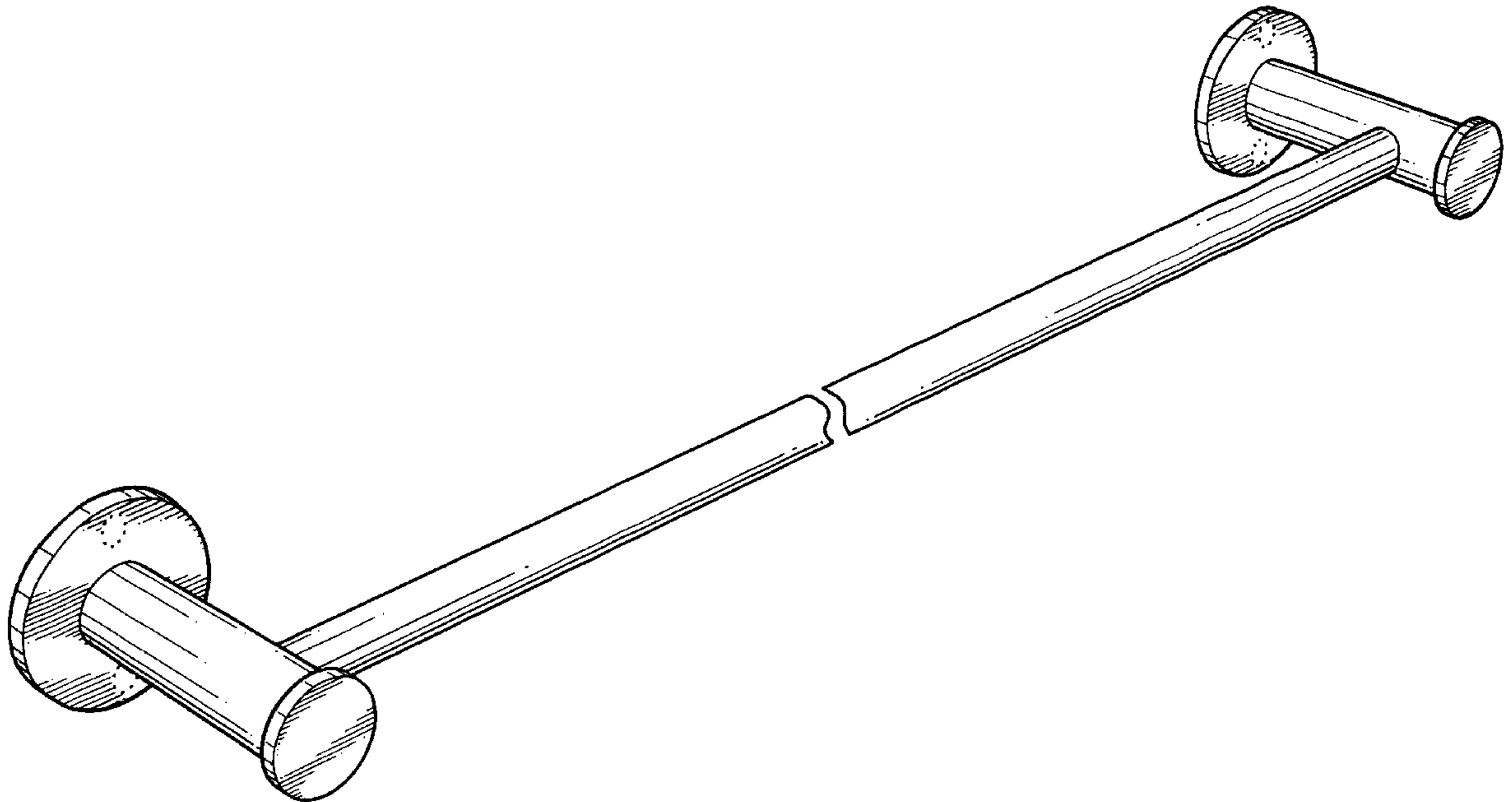
FIG. 3 is a right side view thereof; the left side view being a mirror image; and,

FIG. 4 is a top view thereof, the bottom view being a reverse image (top to bottom).

The rear view is omitted and forms no part of the claimed design.

The dotted lines shown in FIGS. 1 and 2 represent boundaries between claimed and unclaimed subject matter and form no part of the claimed design.

1 Claim, 3 Drawing Sheets



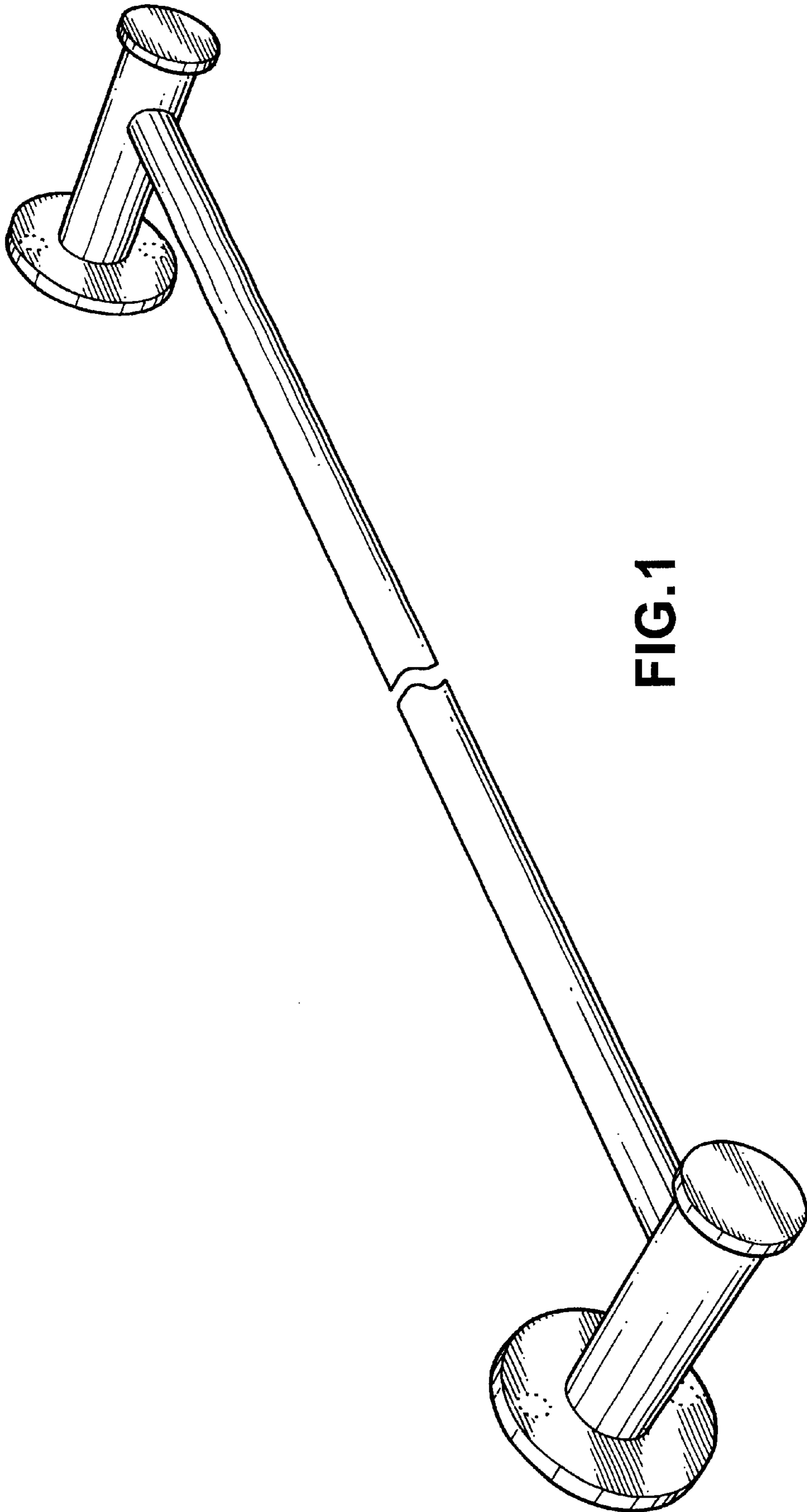


FIG. 1

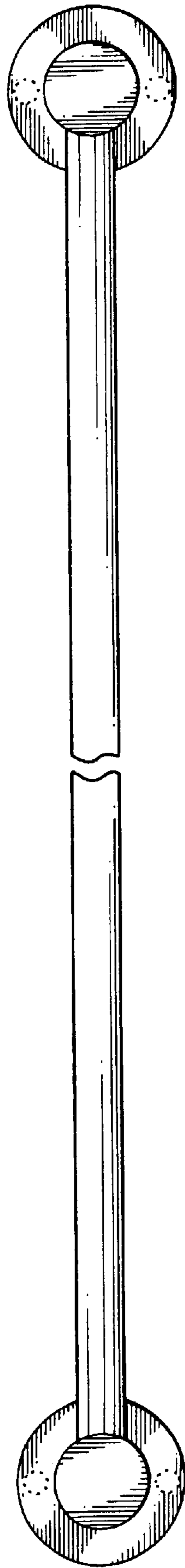


FIG. 2

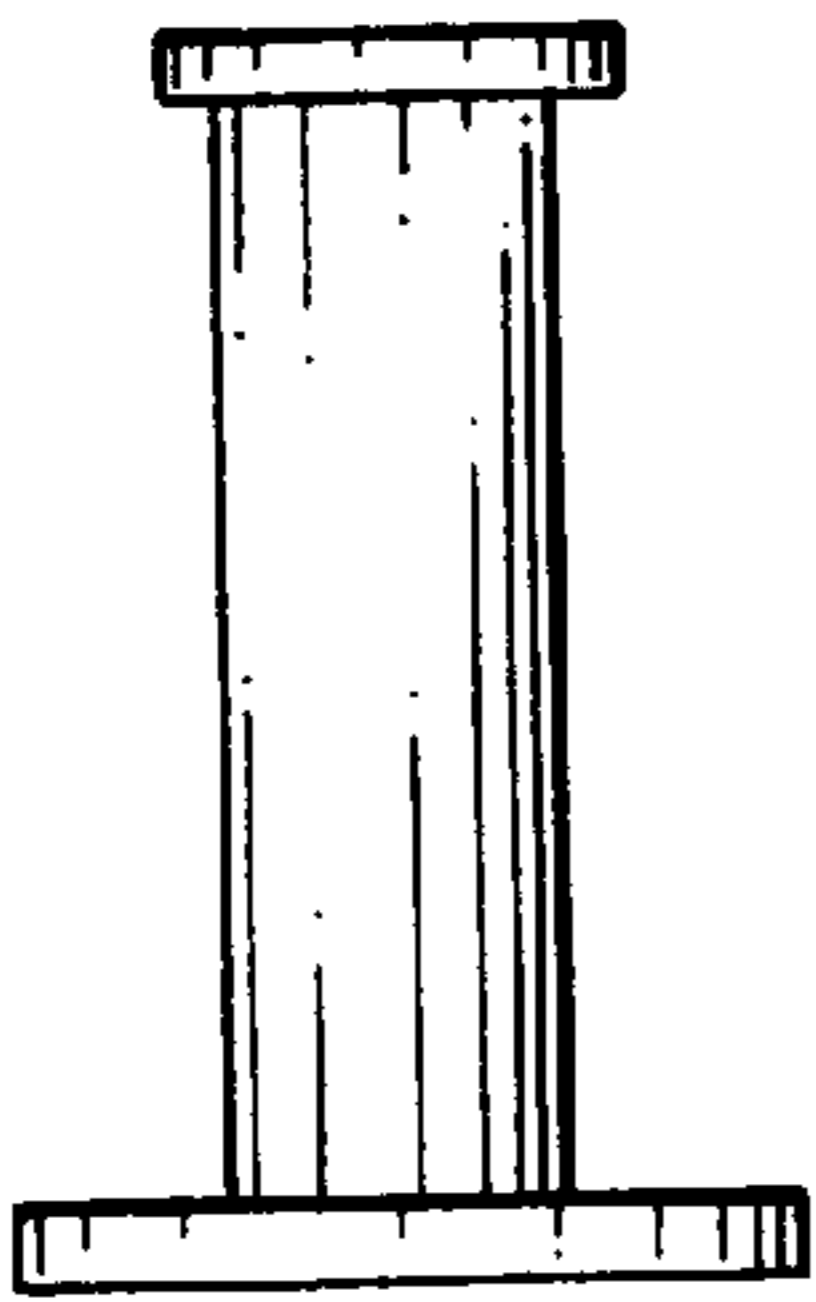


FIG.3

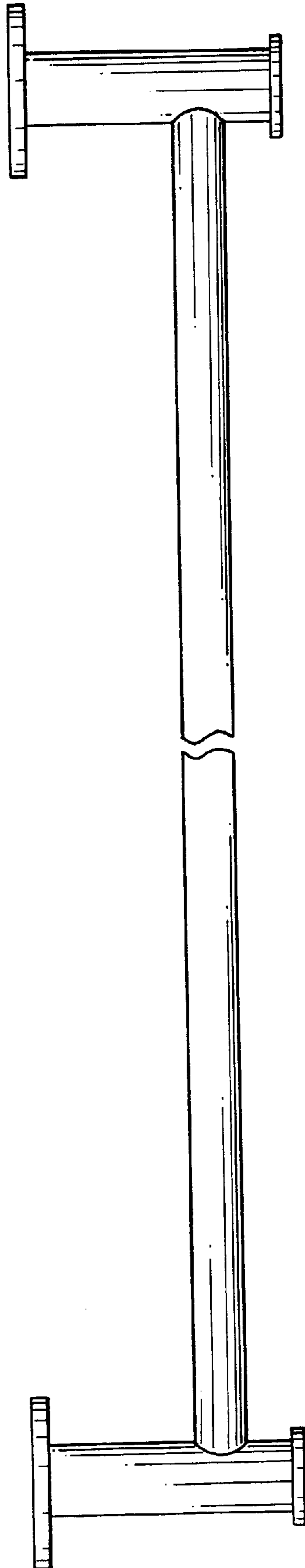


FIG.4