



US00D449949B1

(12) **United States Design Patent**
Hsieh

(10) **Patent No.:** **US D449,949 S**

(45) **Date of Patent:** **** Nov. 6, 2001**

(54) **SUPPORT RACK FOR USE IN THE BATHROOM**

(76) **Inventor:** **Cheng-I Hsieh**, No. 27, Lane 234, Sec. 3, Lu-Ho Rd., Lu-Kang Township, Chang-Hua Hsien (TW)

(**) **Term:** **14 Years**

(21) **Appl. No.:** **29/131,417**

(22) **Filed:** **Oct. 23, 2000**

(51) **LOC (7) Cl.** **23-02**

(52) **U.S. Cl.** **D6/524; D6/550**

(58) **Field of Search** D6/546-50, 518, D6/522-24; D8/300, 315-21, 354, 363, 373, 380; 108/28-29; 211/13.1, 16, 60.1, 86.01, 87.01, 88.04, 100, 105.1-105.2, 123, 181.1, 182; 248/175, 176.1, 251, 302; 16/110.1, 412, 415; 242/570, 590, 595-598; 206/389

(56) **References Cited**

U.S. PATENT DOCUMENTS

- D. 337,230 * 7/1993 Wang D6/550
- D. 388,644 * 1/1998 Chen D6/550

- D. 391,831 * 3/1998 Doughty et al. D8/321
- D. 394,971 * 6/1998 Moore D6/550
- D. 416,419 * 11/1999 Chen D6/550
- D. 418,345 * 1/2000 Chen D6/550
- D. 424,346 * 5/2000 Chen D6/524
- D. 432,840 * 10/2000 Solowiej D6/549
- D. 433,618 * 11/2000 Bredemeier D8/363

* cited by examiner

Primary Examiner—Brian N. Vinson

(74) *Attorney, Agent, or Firm*—Harrison & Egbert

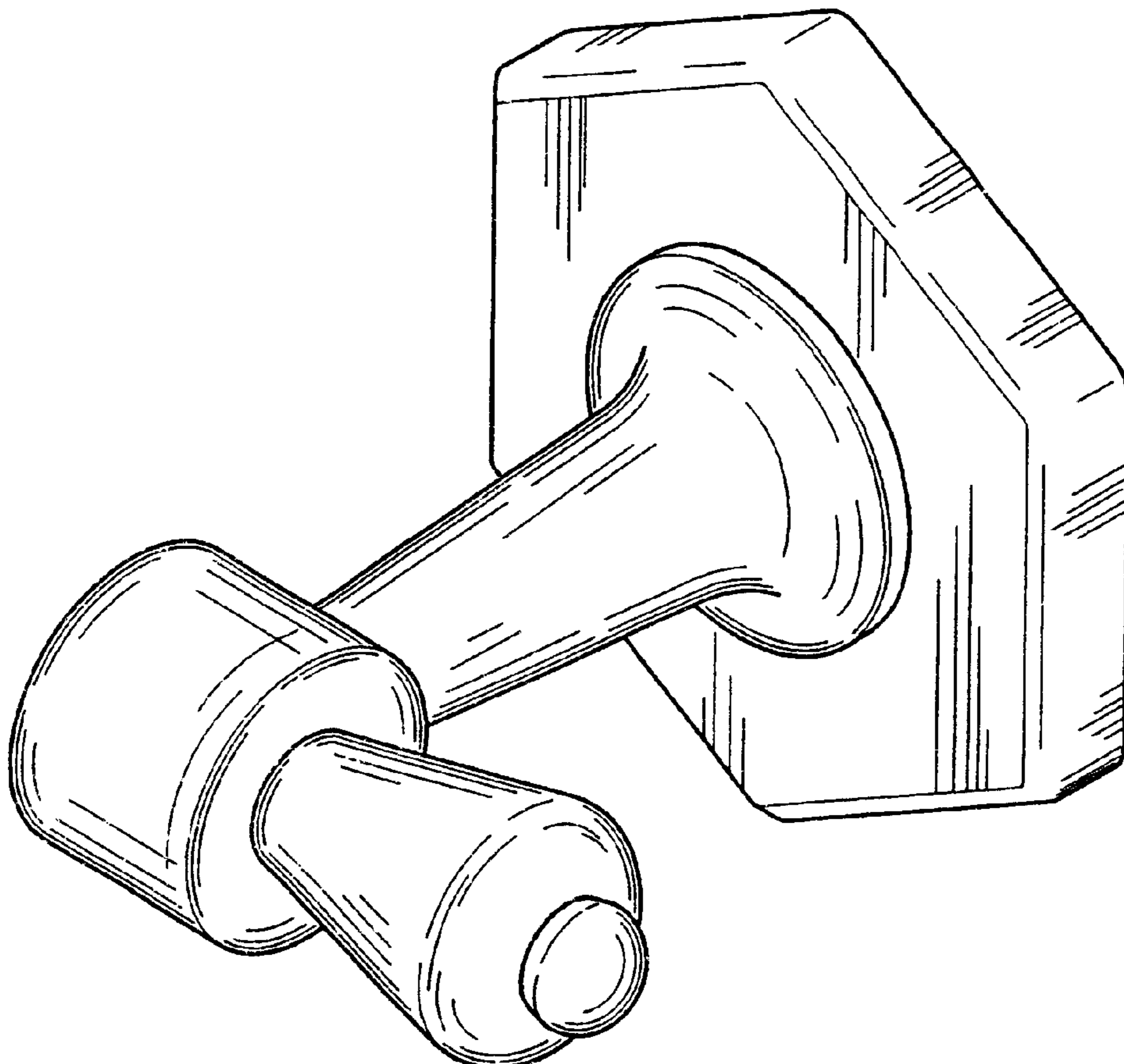
(57) **CLAIM**

I claim the ornamental design for a support rack for use in the bathroom, as shown and described.

DESCRIPTION

FIG. 1 is an upper perspective view of the support rack for use in the bathroom showing my design.
 FIG. 2 is a front view thereof;
 FIG. 3 is a back view thereof;
 FIG. 4 is a side view thereof;
 FIG. 5 is an opposite side view thereof;
 FIG. 6 is a top view thereof; and,
 FIG. 7 is a bottom view thereof.

1 Claim, 4 Drawing Sheets



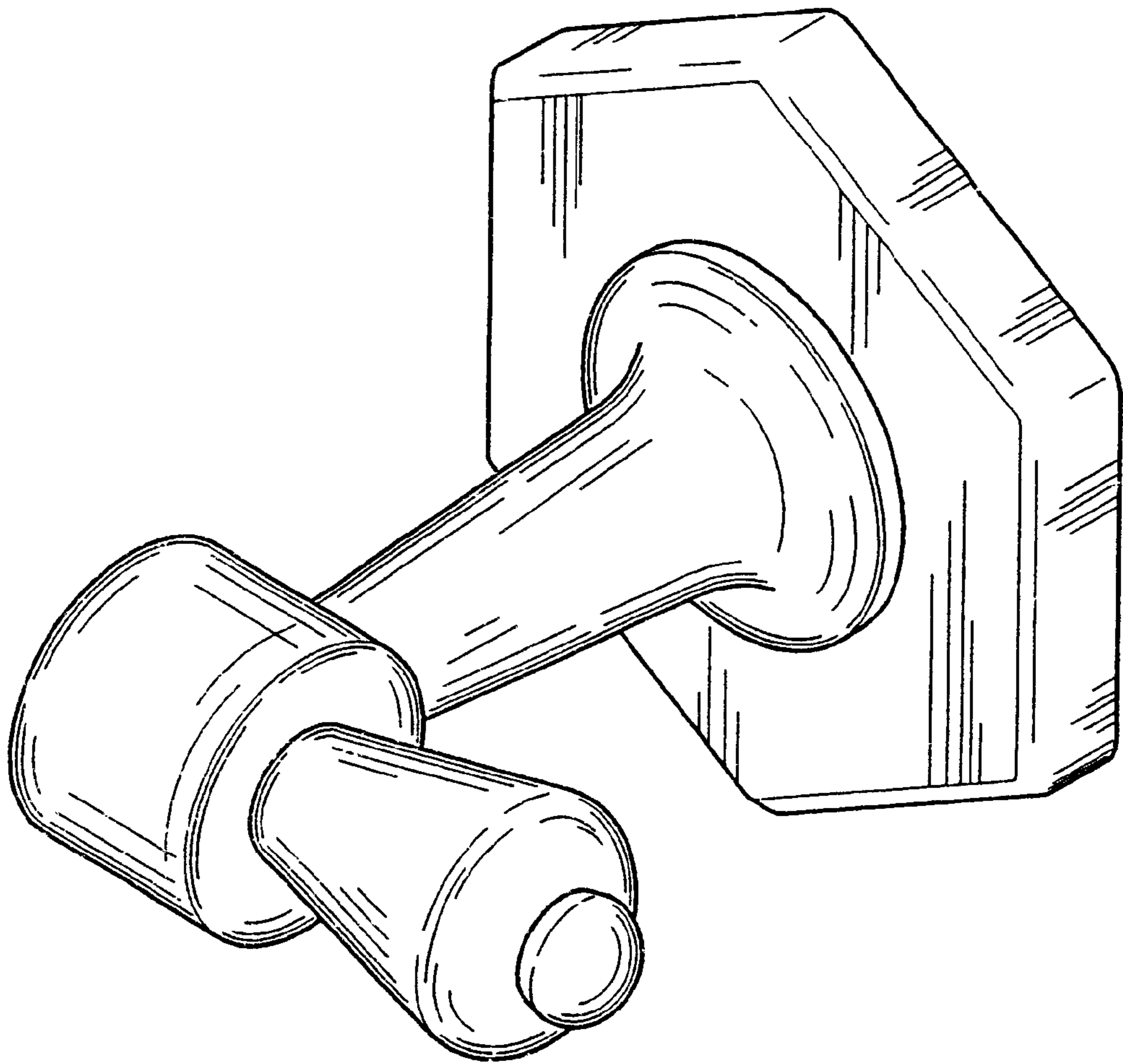


FIG. 1

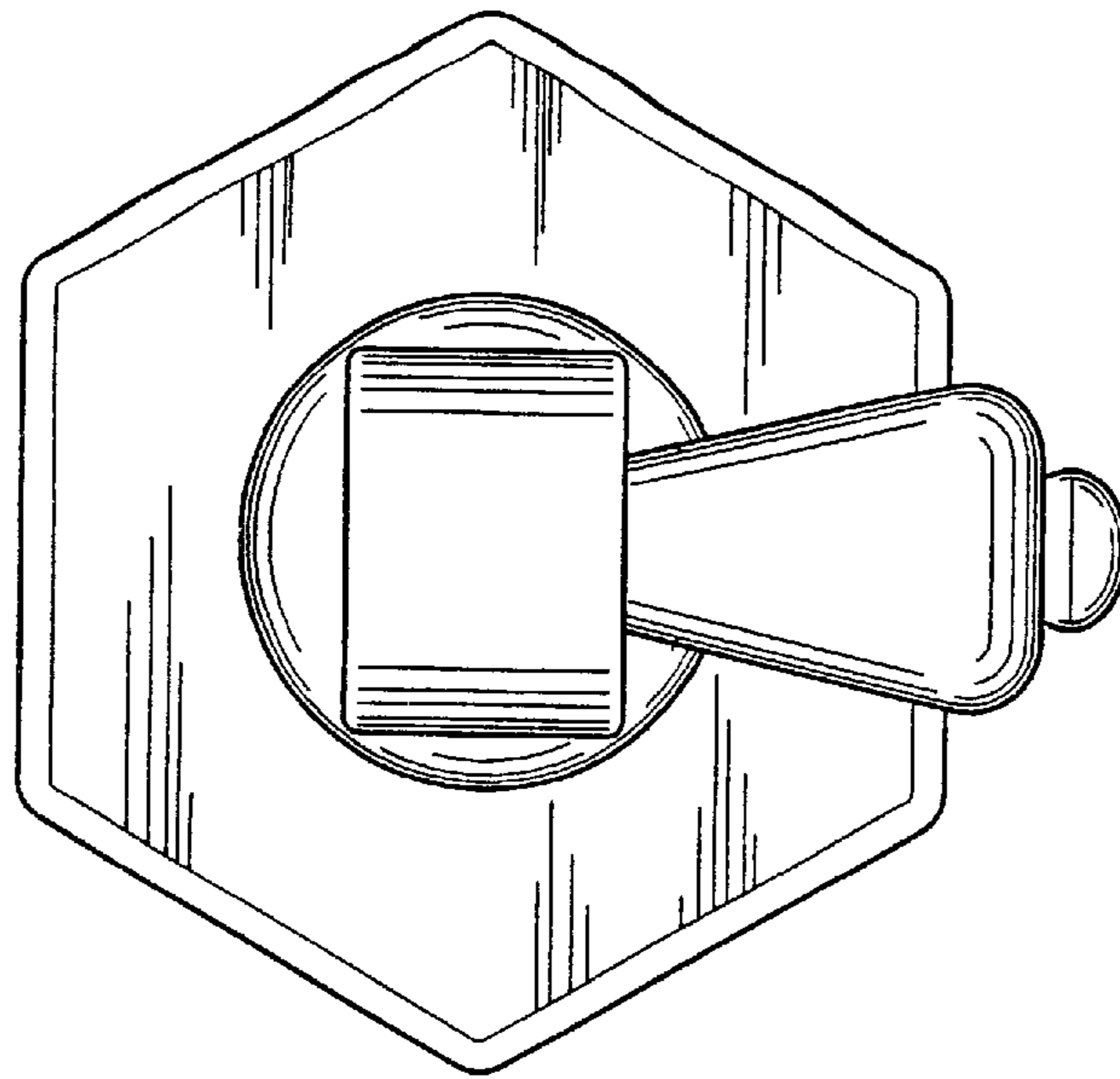


FIG. 2

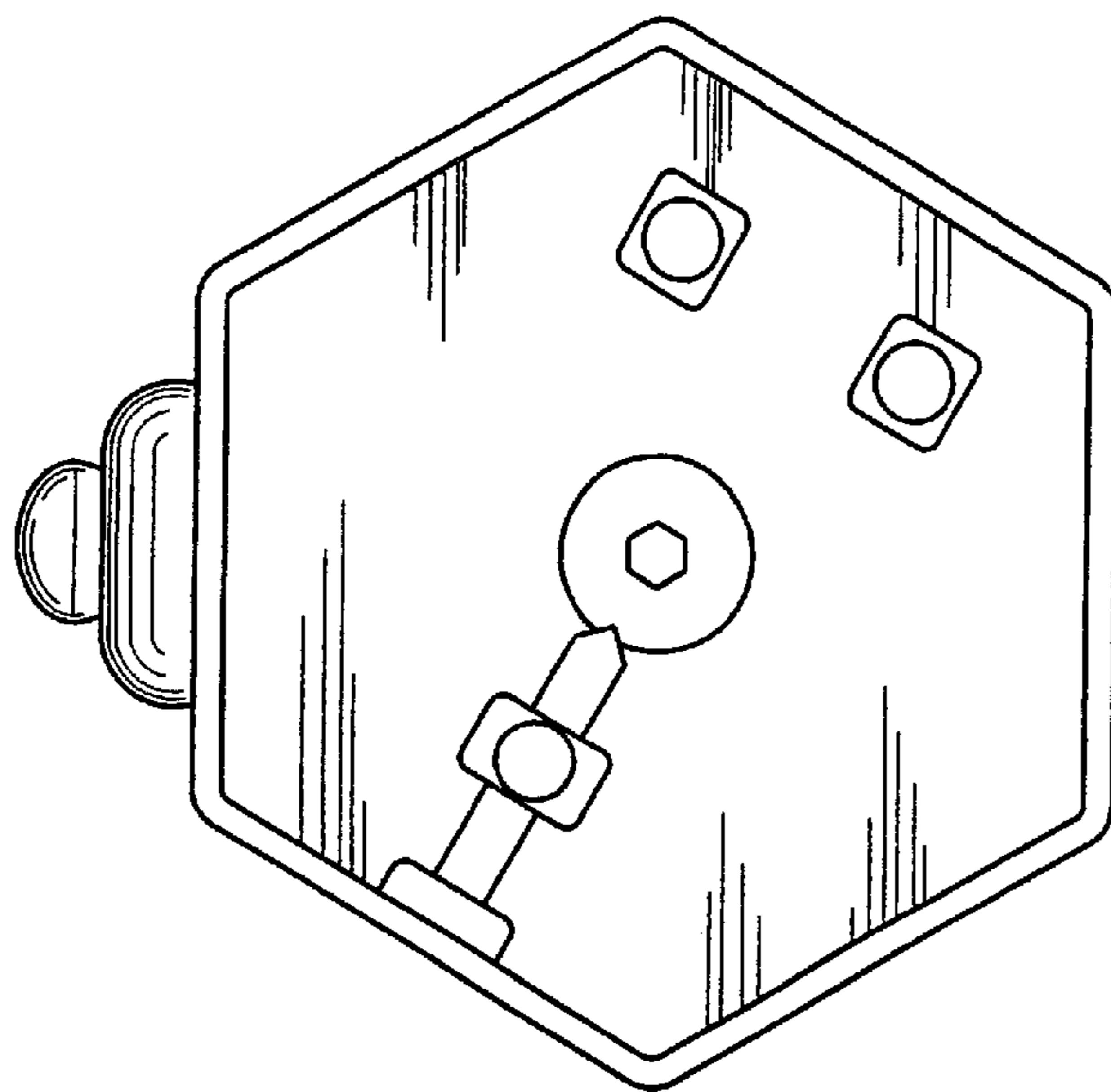


FIG. 3

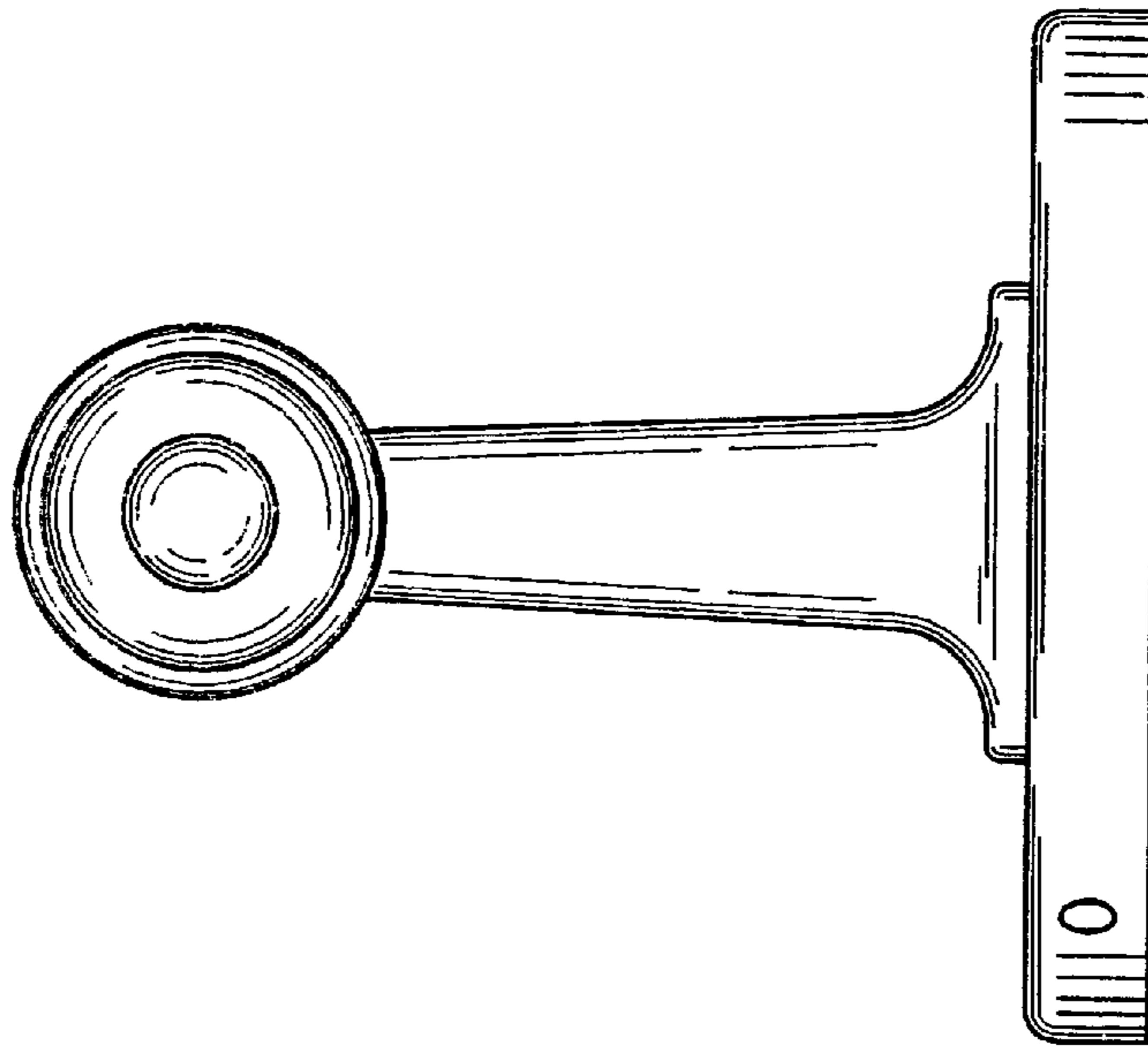


FIG. 4

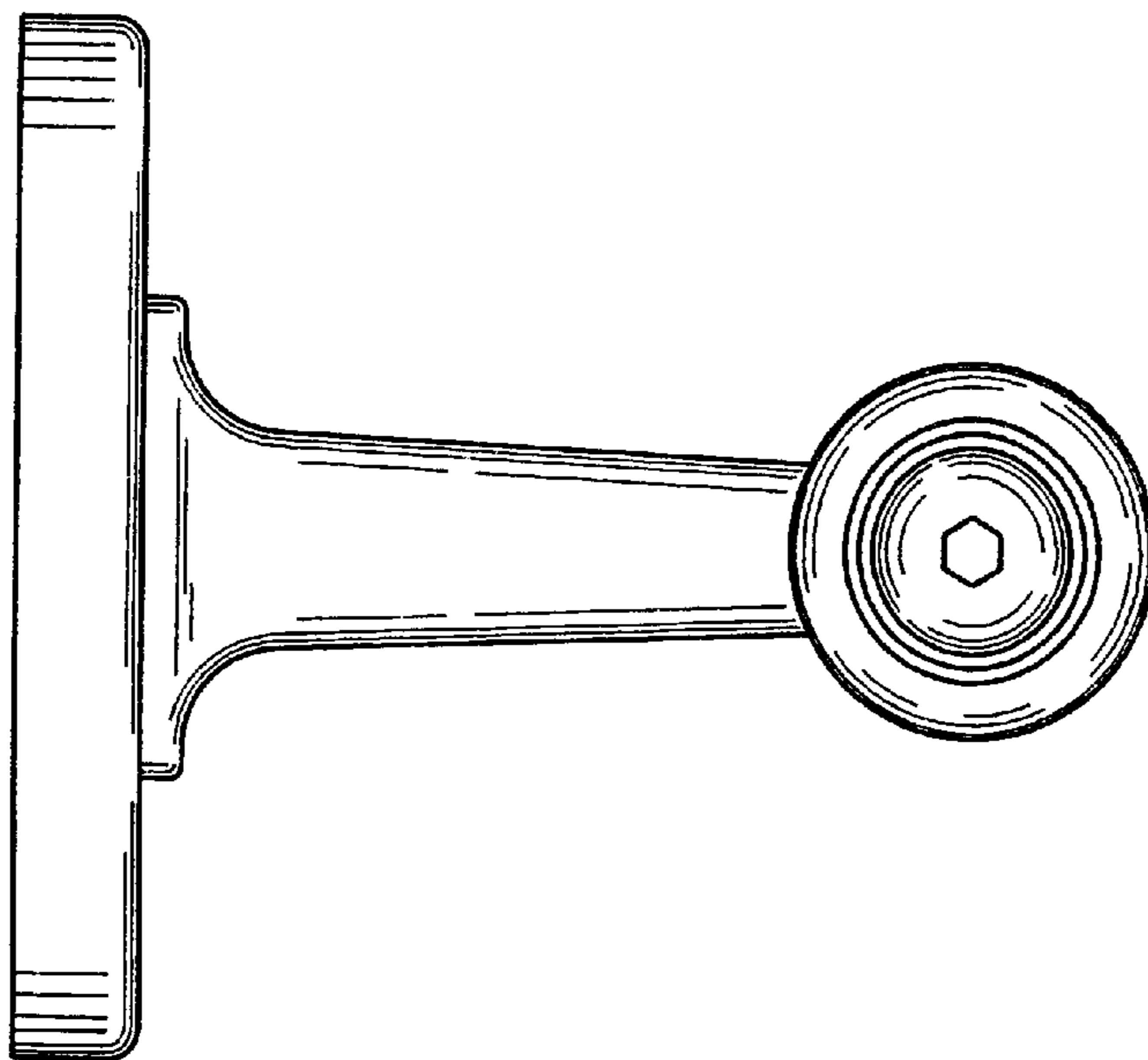


FIG. 5

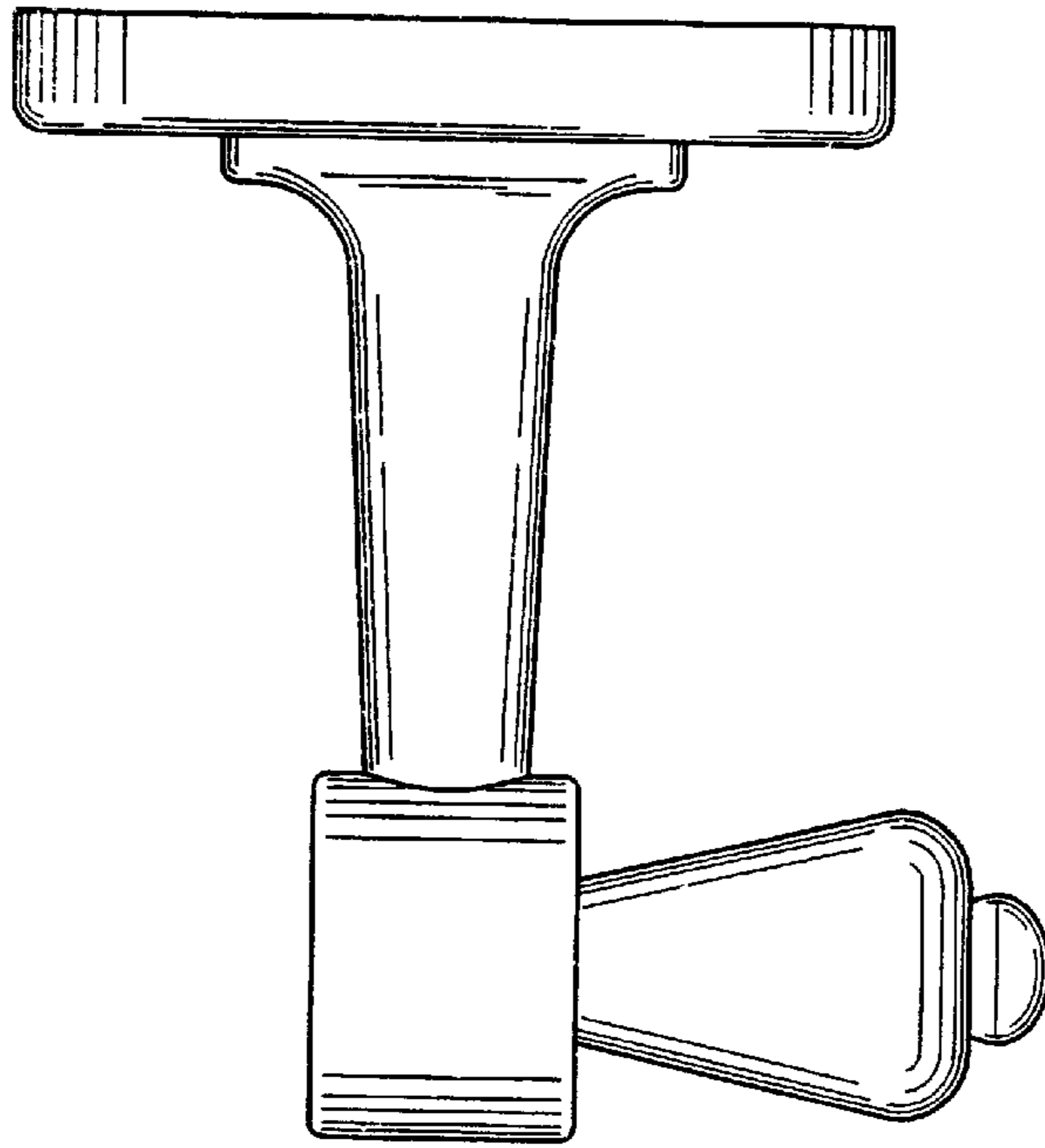


FIG. 6

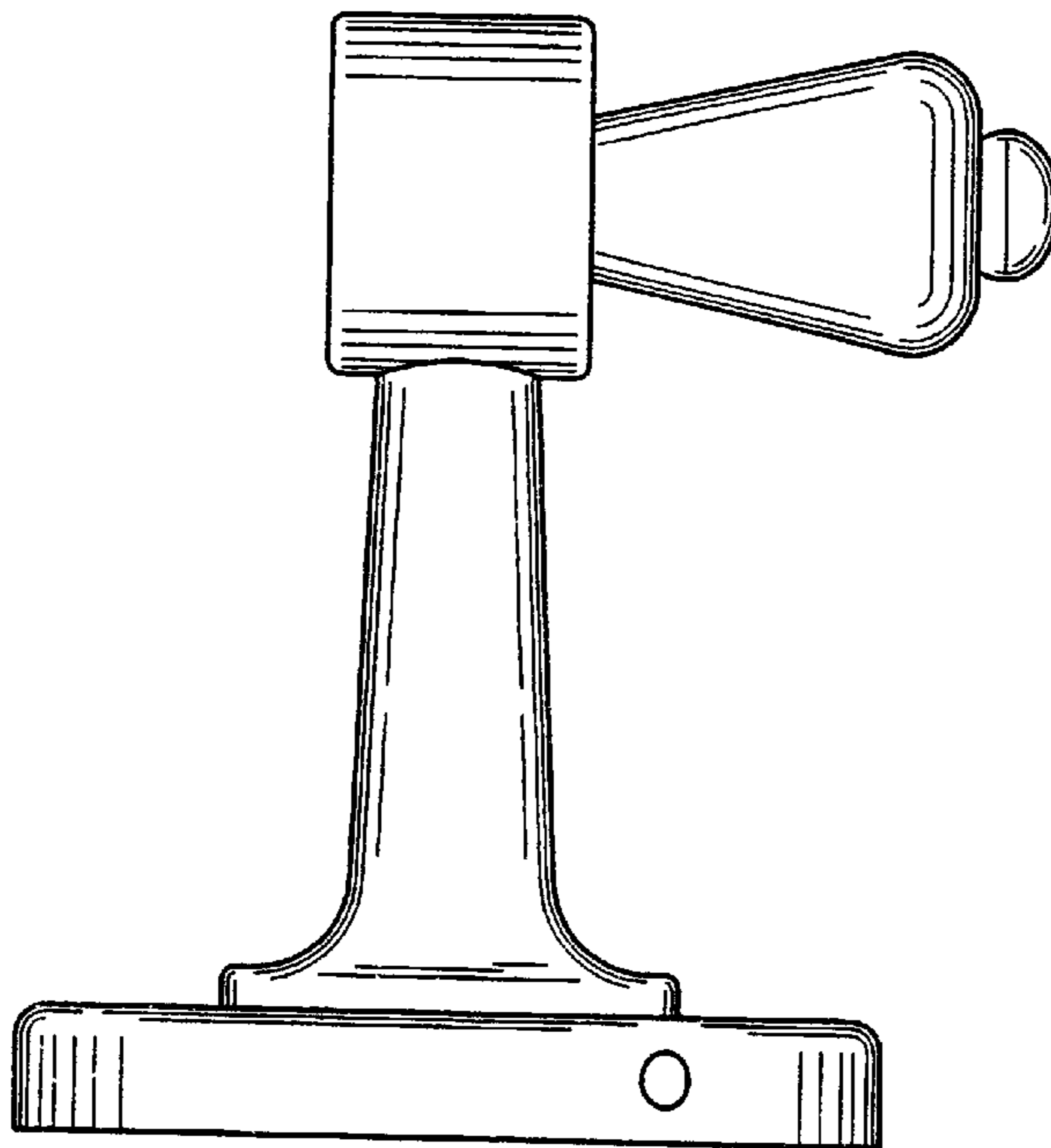


FIG. 7