



US00D449946B1

(12) **United States Design Patent**
Hokanson

(10) **Patent No.:** **US D449,946 S**

(45) **Date of Patent:** **** Nov. 6, 2001**

(54) **TABLE**

(75) **Inventor:** **Gary Hokanson**, Martinsville, VA (US)

(73) **Assignee:** **Stanley Furniture Company, Inc.**,
Stanleytown, VA (US)

(**) **Term:** **14 Years**

(21) **Appl. No.:** **29/137,091**

(22) **Filed:** **Feb. 14, 2001**

(51) **LOC (7) Cl.** **06-03**

(52) **U.S. Cl.** **D6/484**

(58) **Field of Search** D6/480-489, 495-499,
D6/511; 108/153.1, 157.1, 155, 156, 161;
248/188, 188.1, 188.8

(56) **References Cited**

U.S. PATENT DOCUMENTS

- D. 237,335 * 10/1975 Ginat D6/484
- D. 255,076 * 5/1980 Adkinson D6/484

OTHER PUBLICATIONS

Chromcraft, Aug. 5, 1983, RC-1, table.*

* cited by examiner

Primary Examiner—Janice E. Seeger

(74) *Attorney, Agent, or Firm*—McGuireWoods LLP

(57) **CLAIM**

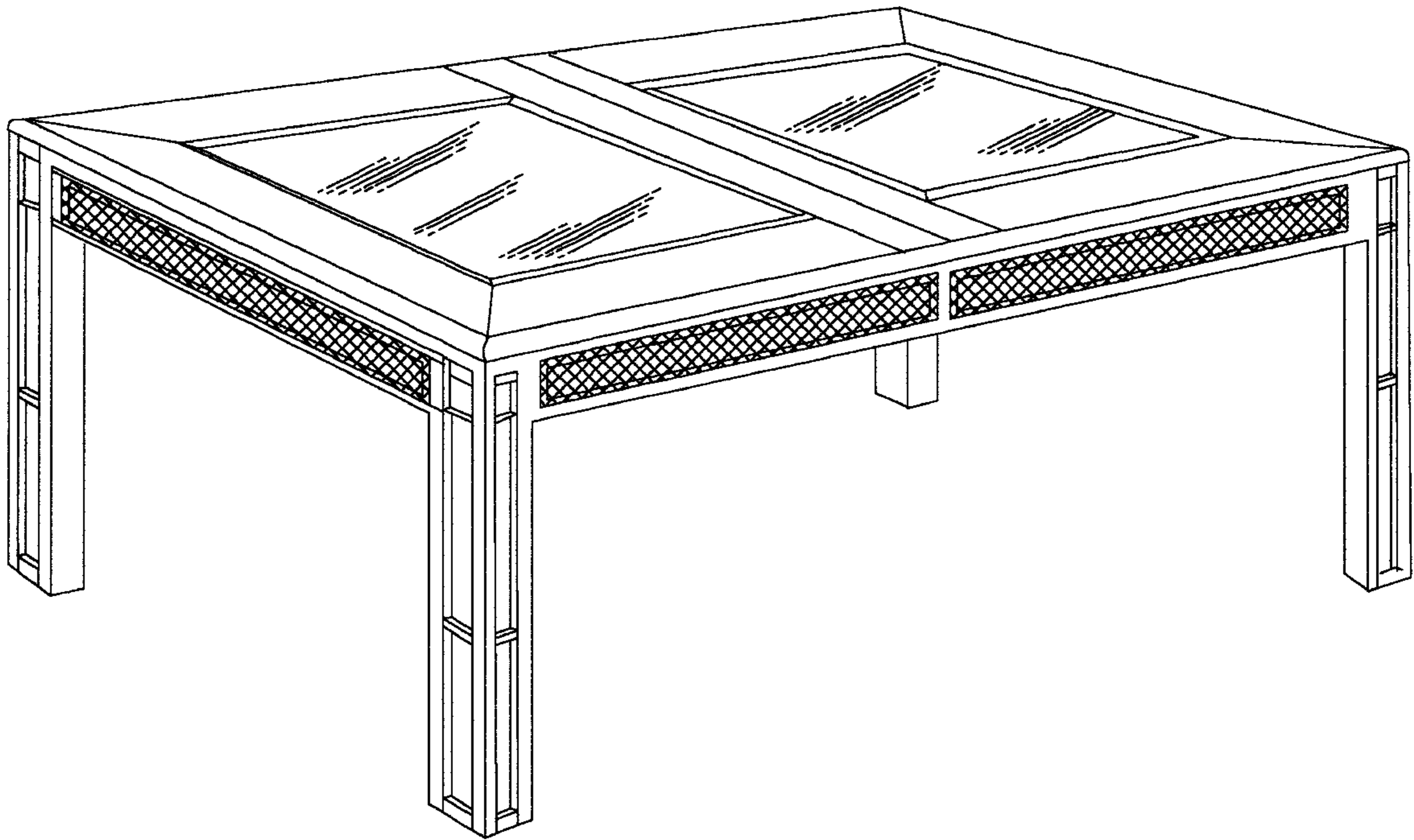
The ornamental design for a table, as shown and described.

DESCRIPTION

FIG. 1 is a perspective view of a table;
FIG. 2 is a side elevational view of the table;
FIG. 3 is a top elevational view of the table;
FIG. 4 is a bottom elevational view of the table; and,
FIG. 5 is a front elevational view of the table (the rear view
being the same as the front view).

The broken lines are for illustrative purposes only and form
no part of the claimed design.

1 Claim, 5 Drawing Sheets



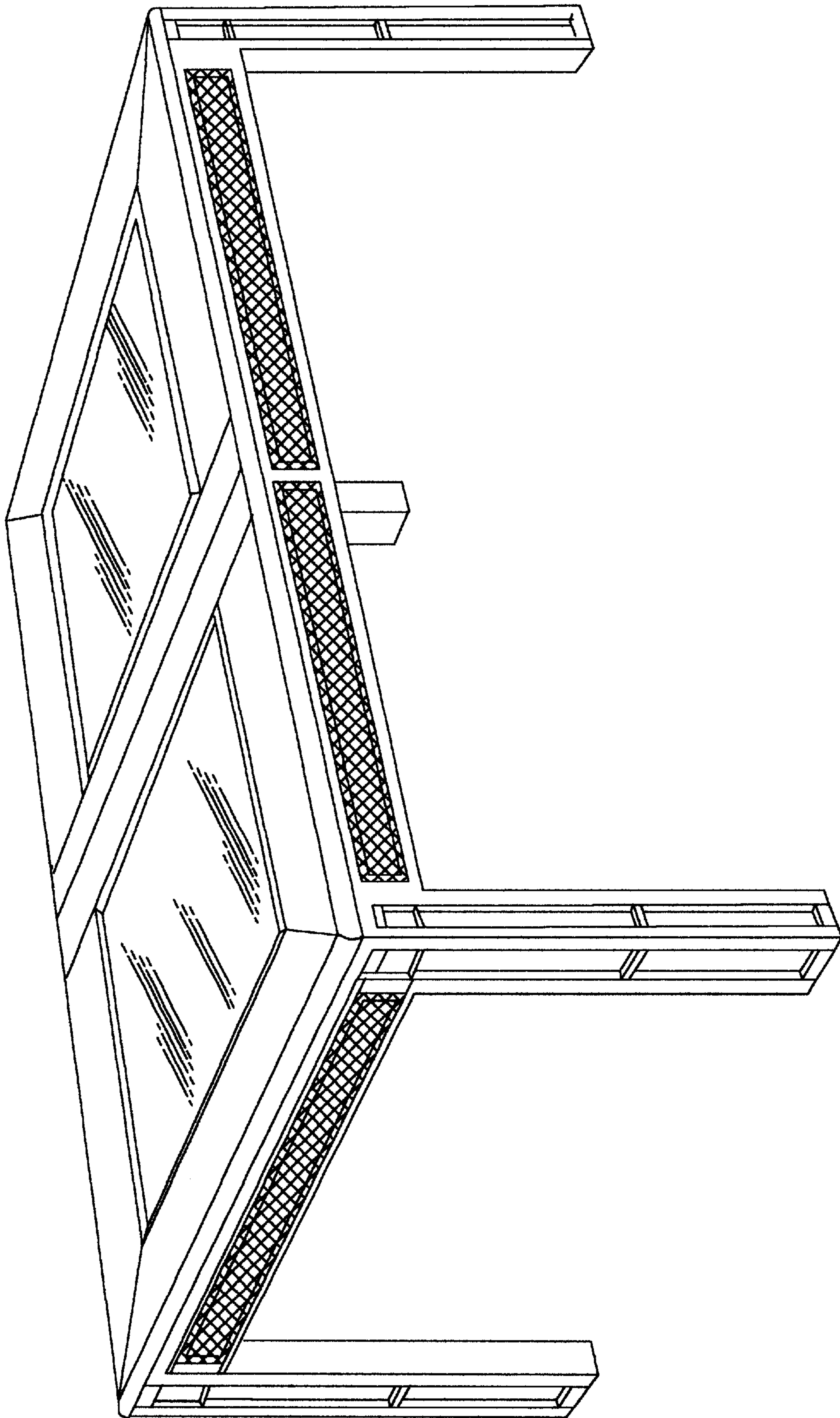


FIG. 1

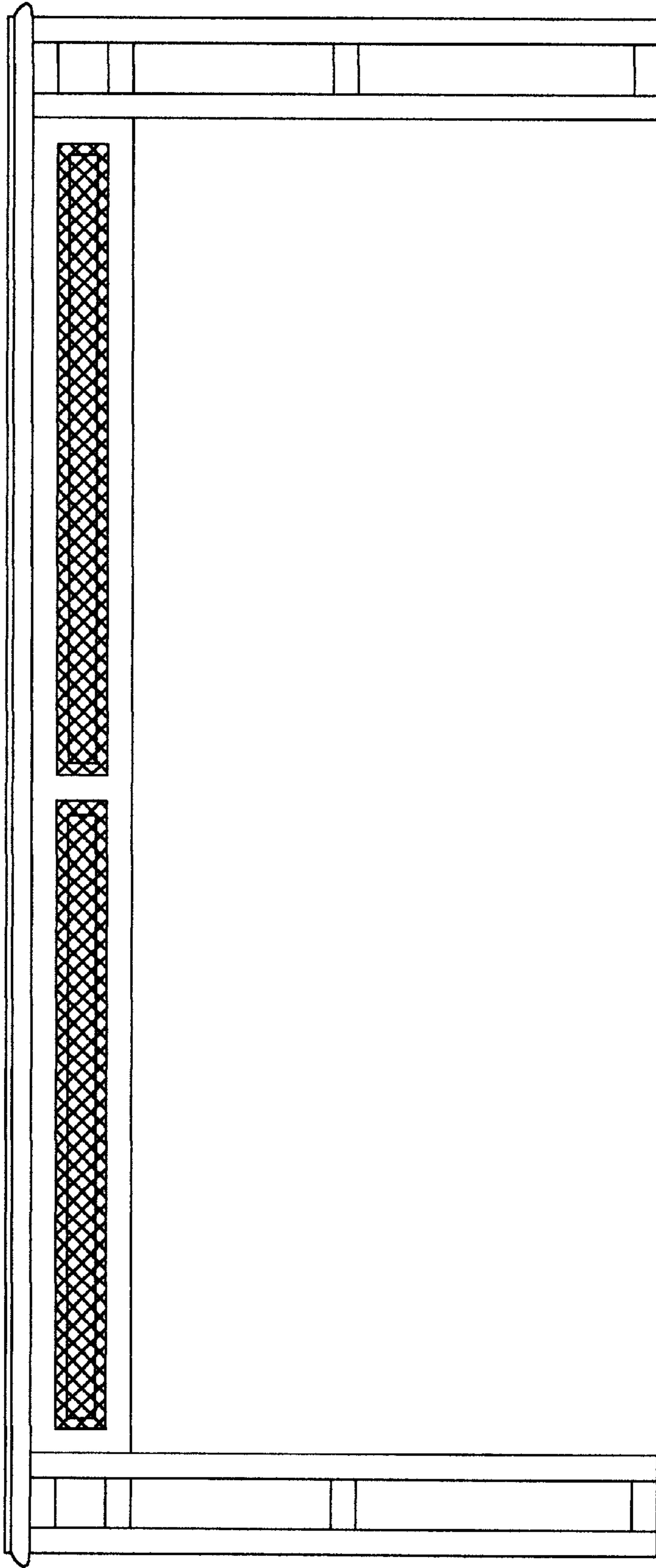


FIG. 2

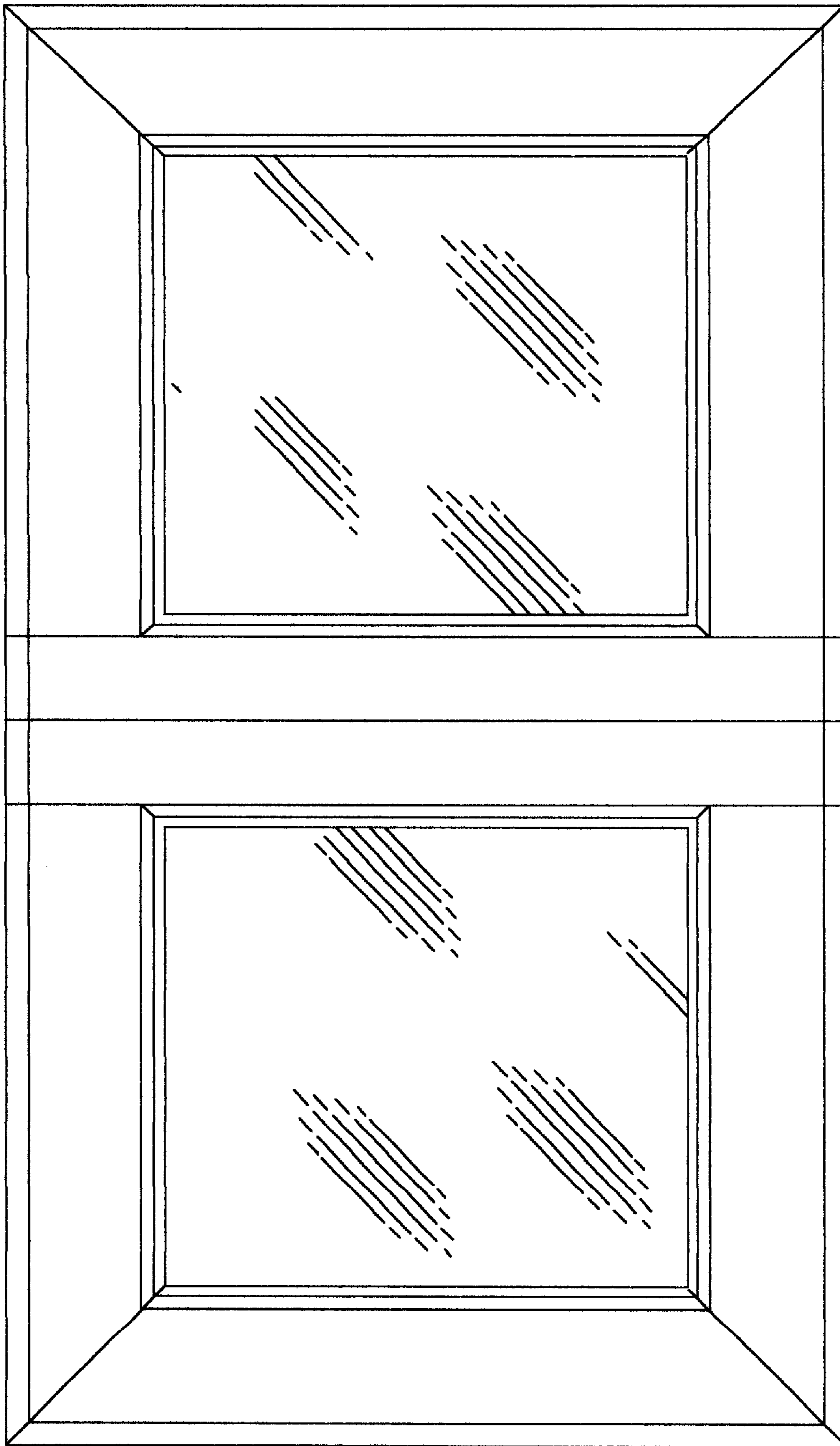


FIG.3

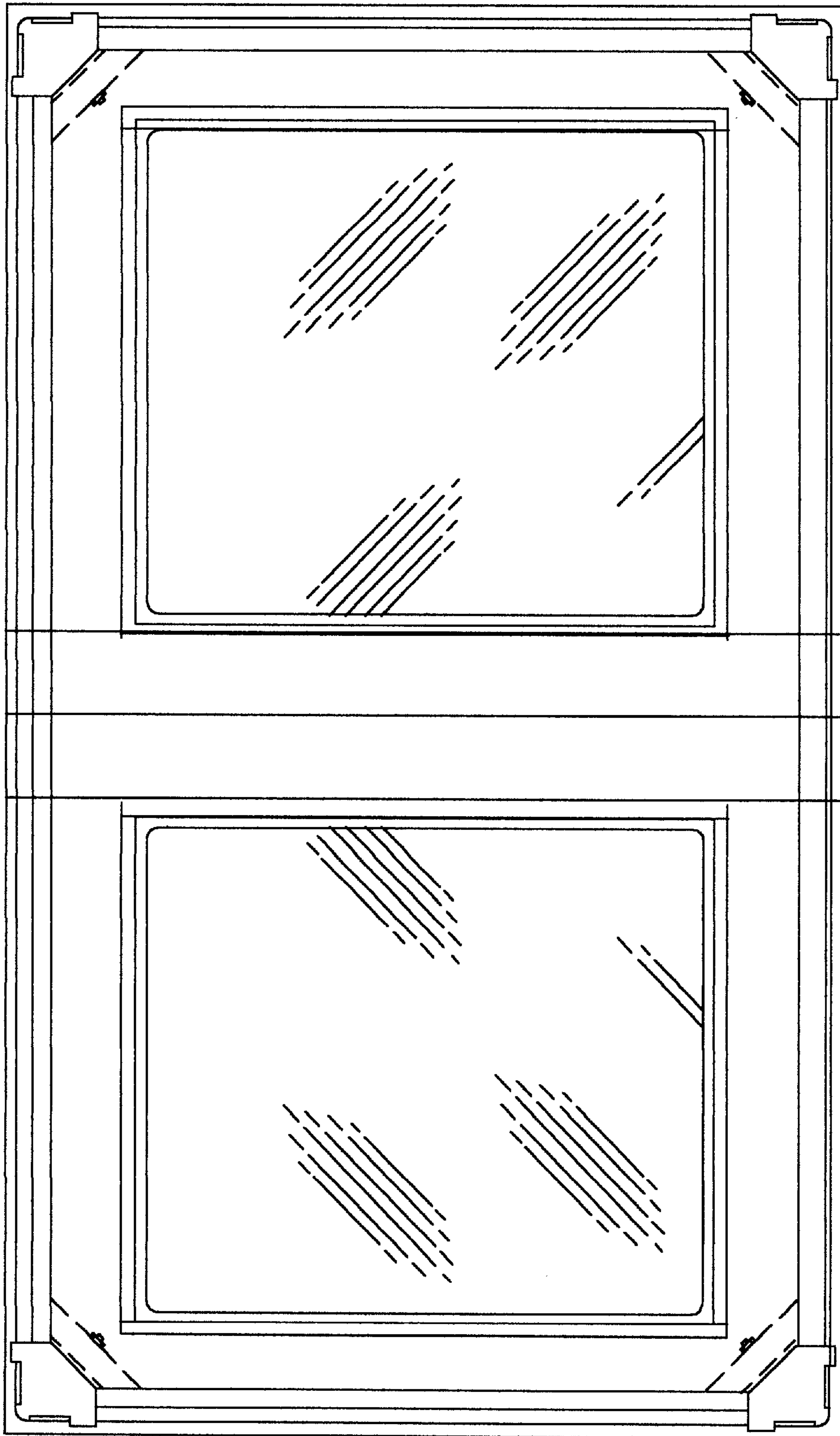


FIG.4

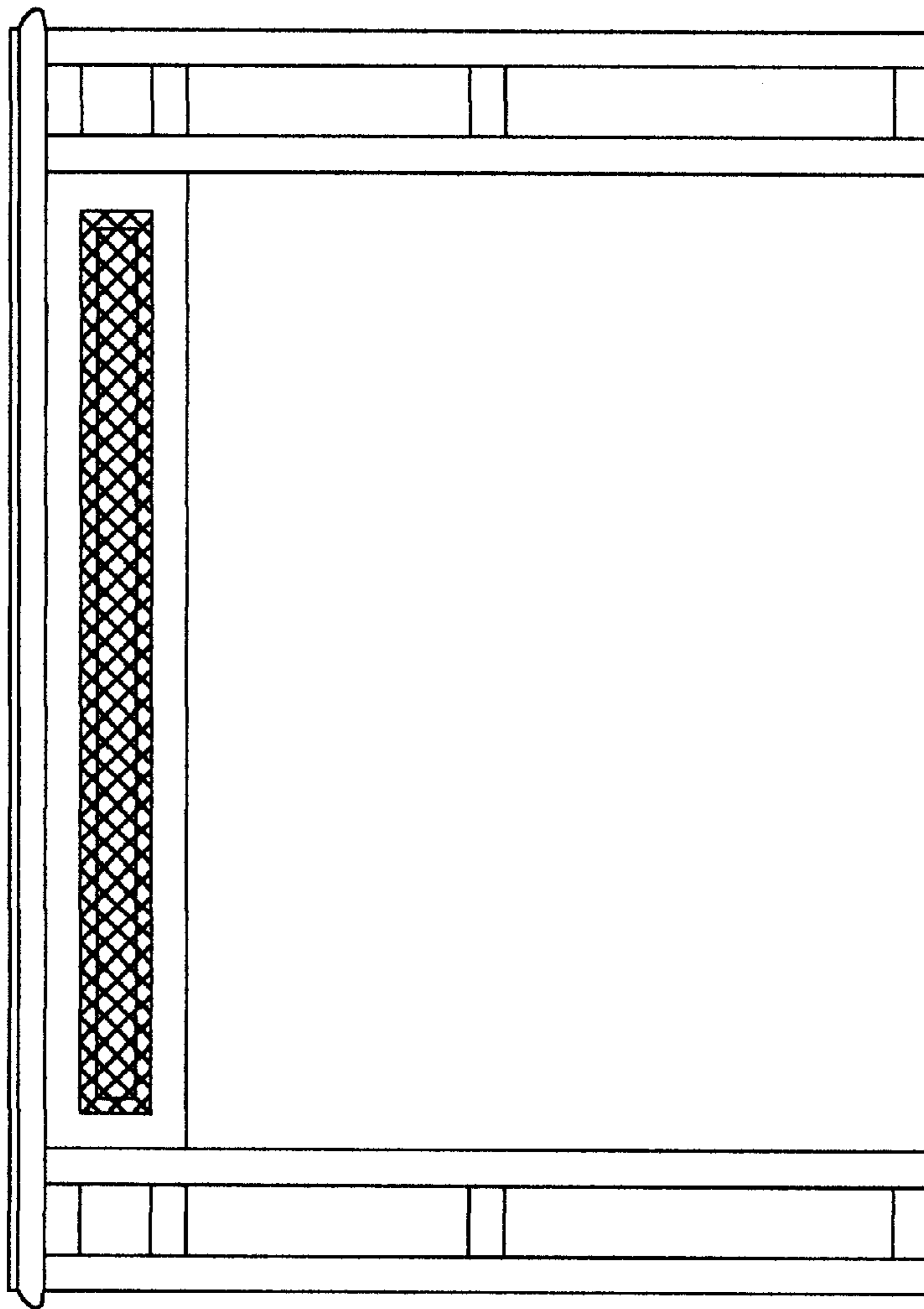


FIG. 5