



US00D449944B1

(12) **United States Design Patent**
Wolf

(10) **Patent No.:** **US D449,944 S**

(45) **Date of Patent:** **** Nov. 6, 2001**

(54) **WATCH DISPLAY AND STORAGE BOX**

(75) Inventor: **Simon Wolf**, Malibu, CA (US)

(73) Assignee: **Wolf Designs, Inc.**, Malibu, CA (US)

(**) Term: **14 Years**

(21) Appl. No.: **29/139,054**

(22) Filed: **Mar. 22, 2001**

(51) **LOC (7) Cl.** **06-04**

(52) **U.S. Cl.** **D6/470; D6/440**

(58) **Field of Search** **D6/396, 432, 440,**
D6/470; D10/1, 40; 312/204; 206/18

(56) **References Cited**

U.S. PATENT DOCUMENTS

- D. 270,715 * 9/1983 Perethian D10/40
- D. 402,139 * 12/1998 Dzurovsak D6/470
- D. 433,842 * 11/2000 Hawang D6/445

* cited by examiner

Primary Examiner—Cathron C. Brooks

(74) *Attorney, Agent, or Firm*—Cislo & Thomas LLP

(57) **CLAIM**

The ornamental design for a watch display and storage box, as shown and described.

DESCRIPTION

FIG. 1. Is a front perspective view of my watch display and storage box;

FIG. 2. Is a view similar to FIG. 1, but illustrating the article in the open position;

FIG. 3. Is a front view thereof;

FIG. 4. Is a rear view thereof;

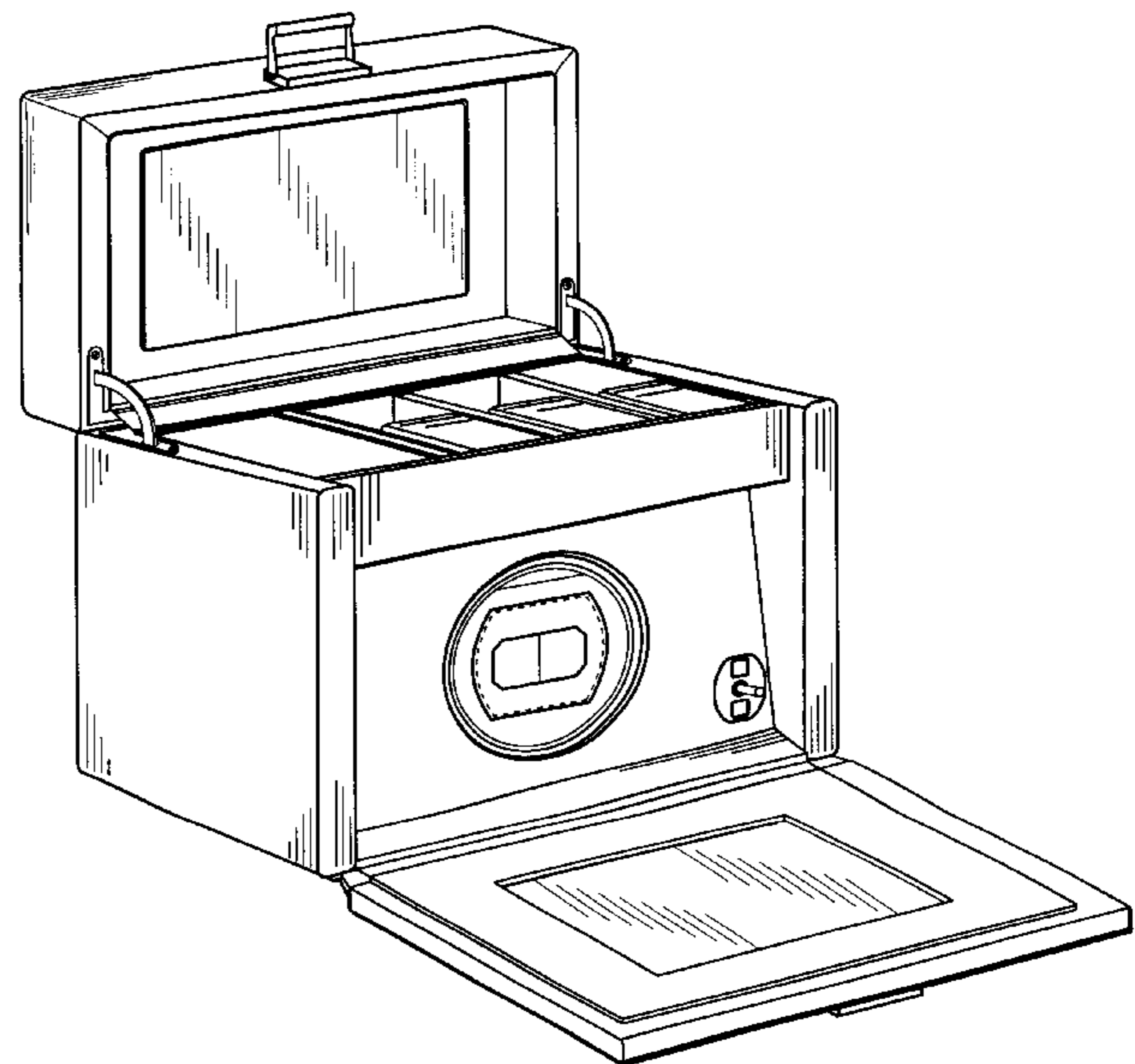
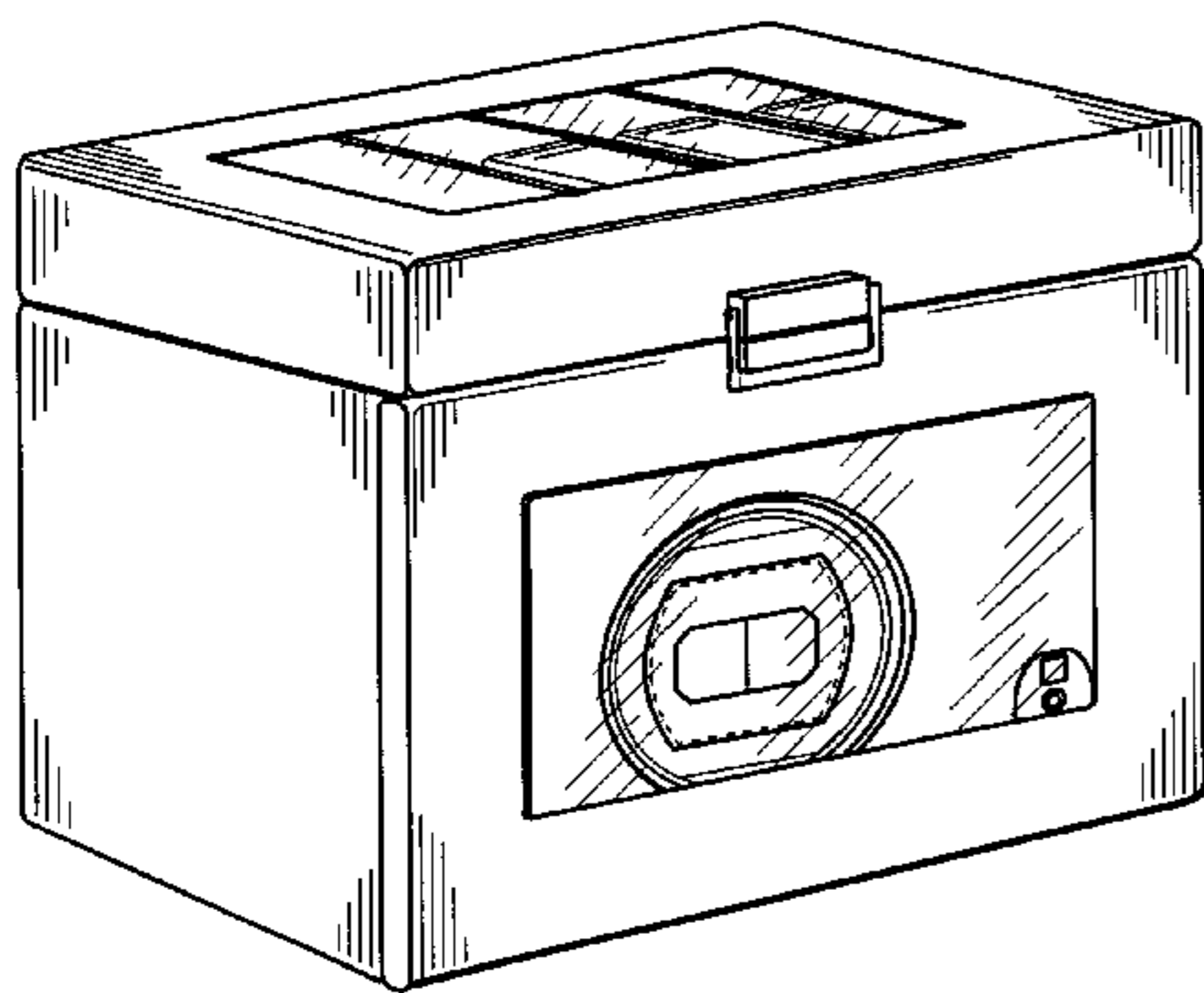
FIG. 5. Is a left side elevational view thereof;

FIG. 6. Is a right side elevational view thereof;

FIG. 7. Is a top view thereof; and,

FIG. 8. Is a bottom view thereof.

1 Claim, 3 Drawing Sheets



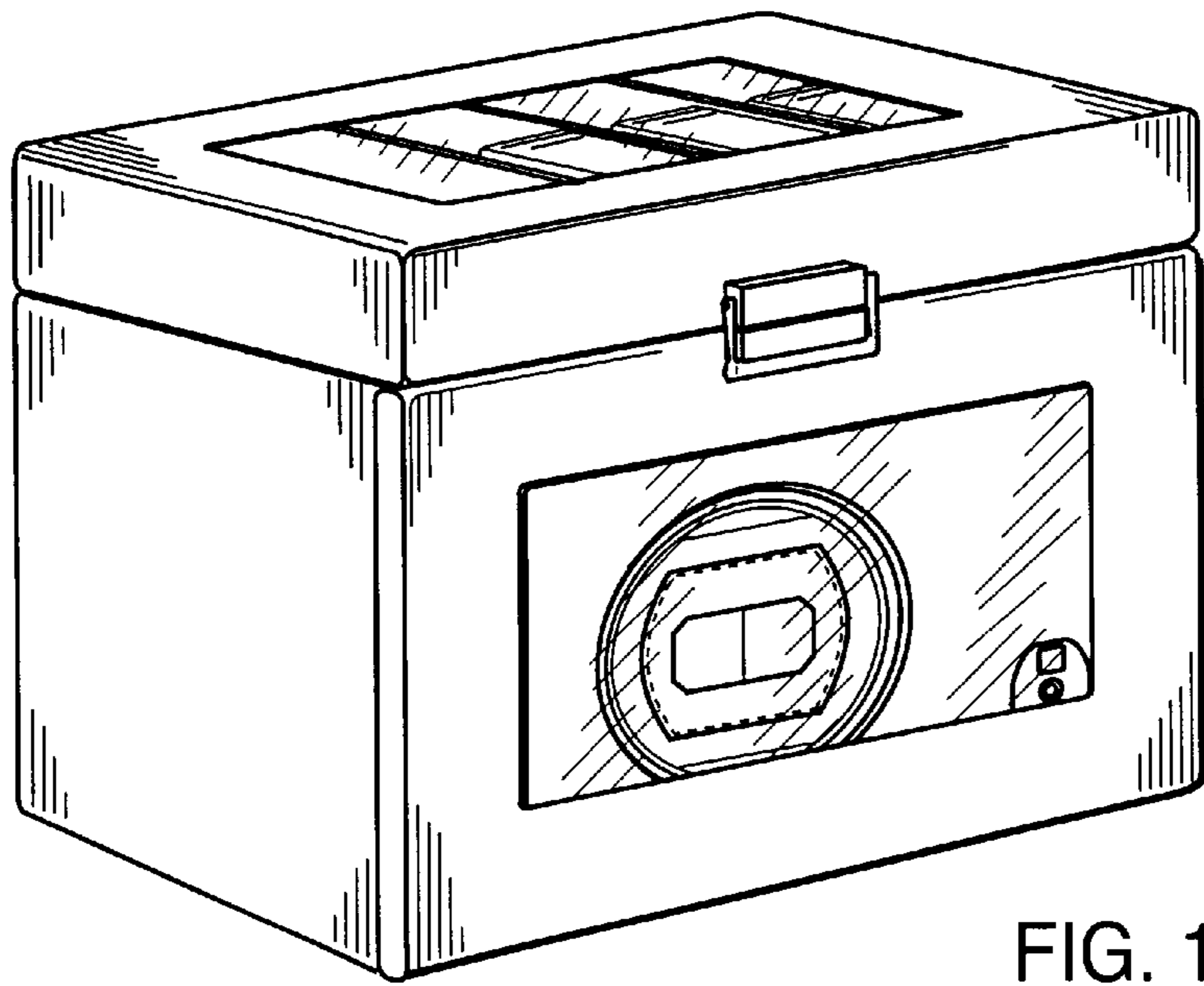


FIG. 1

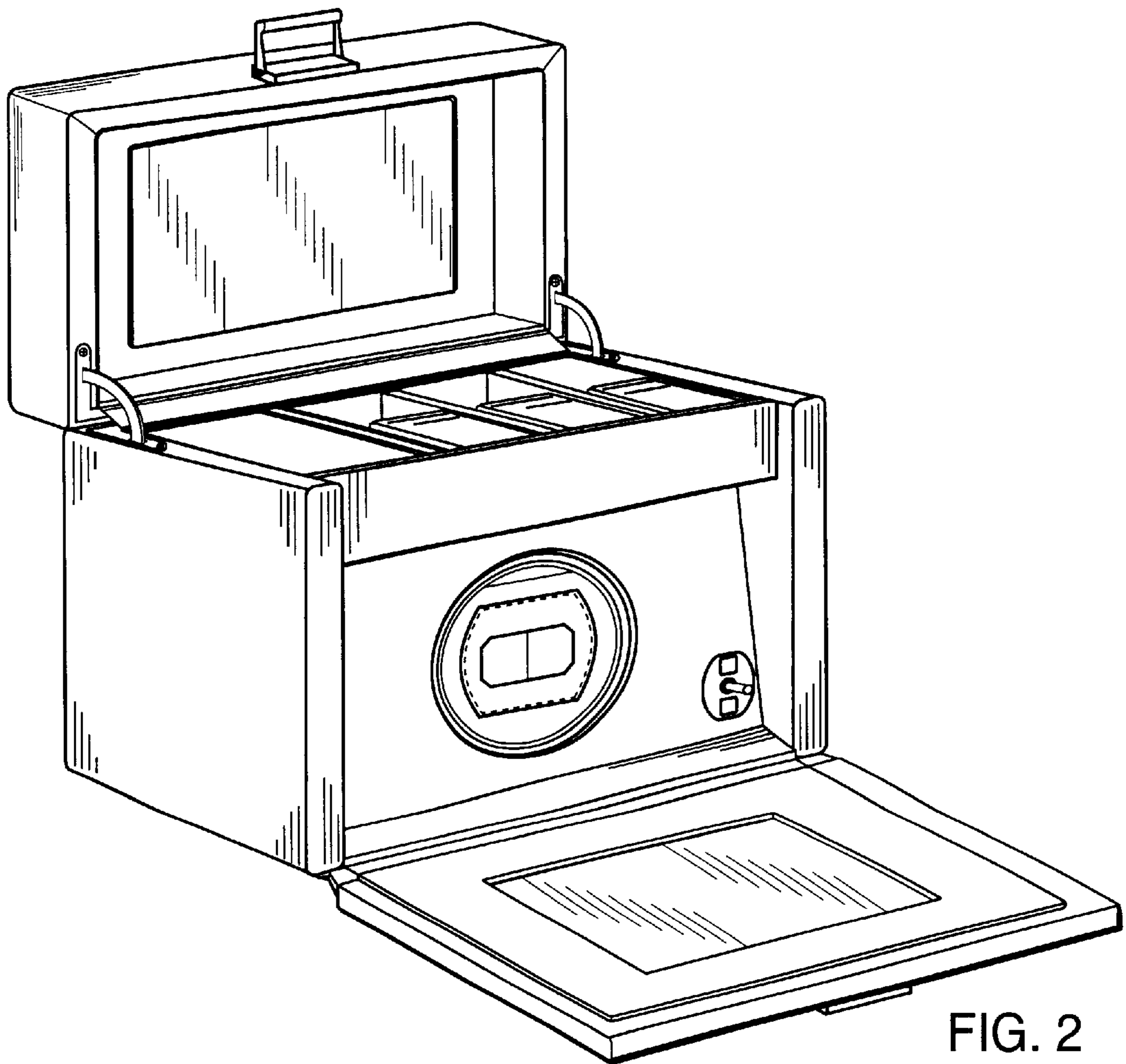


FIG. 2

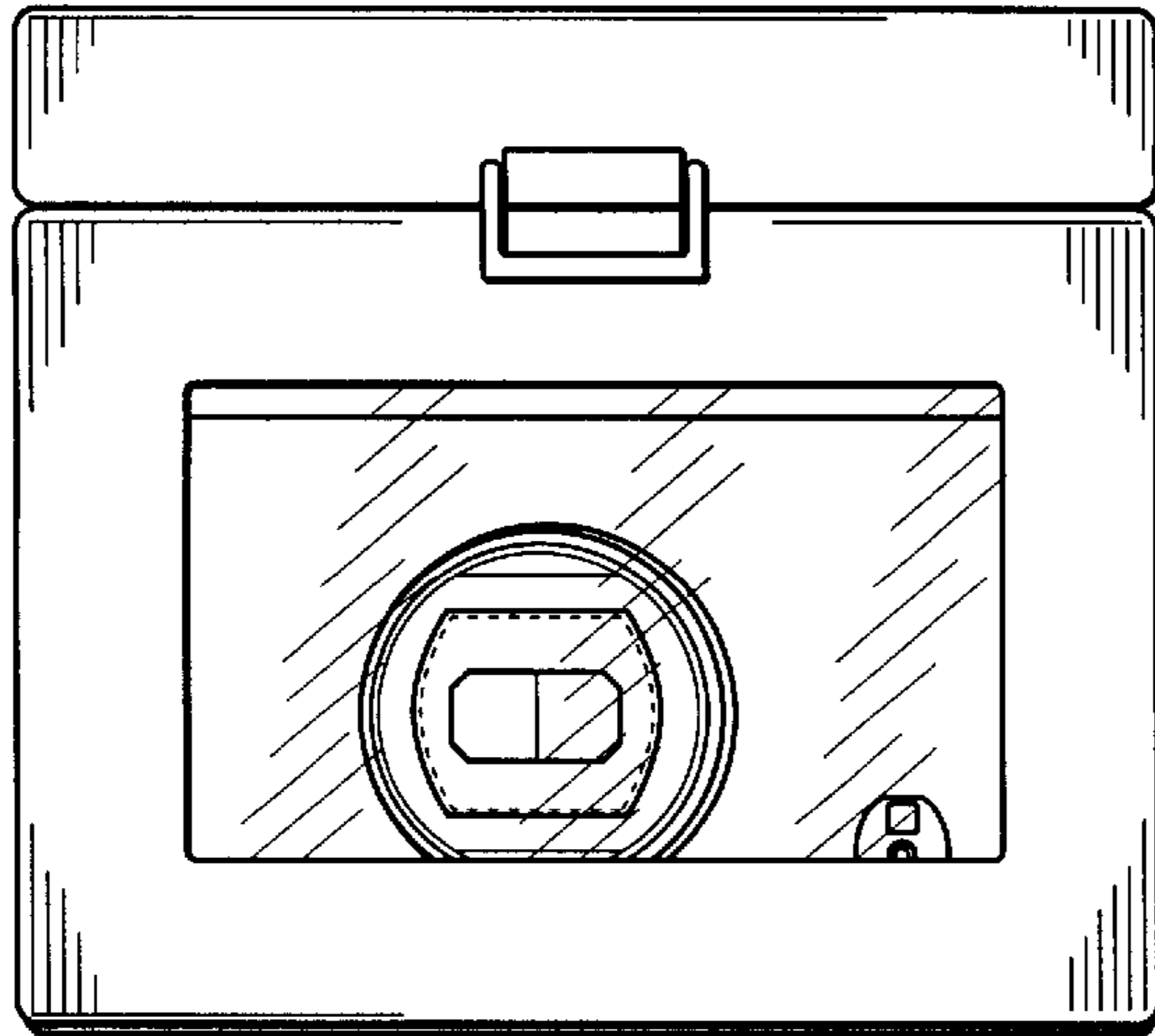


FIG. 3

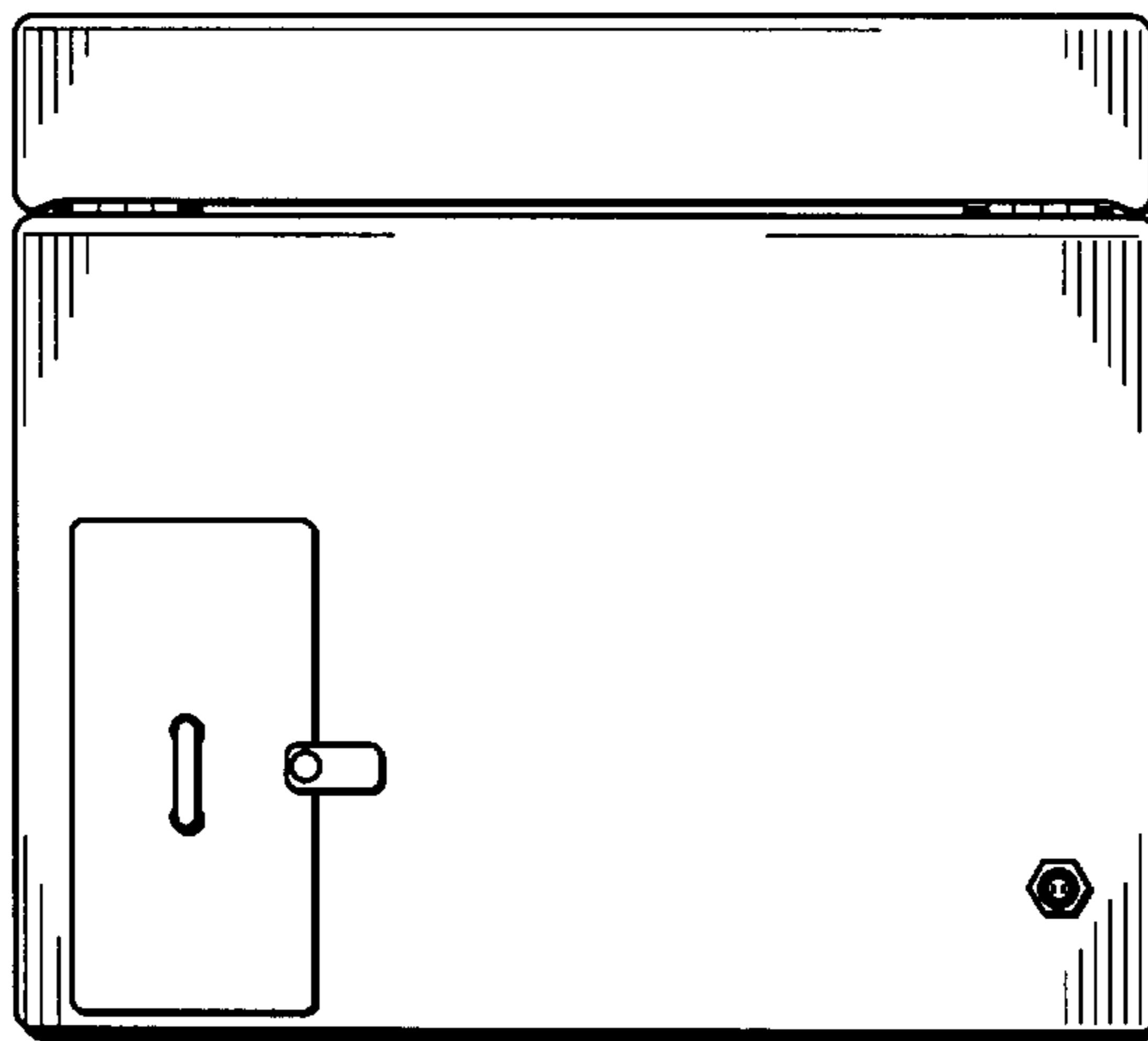


FIG. 4

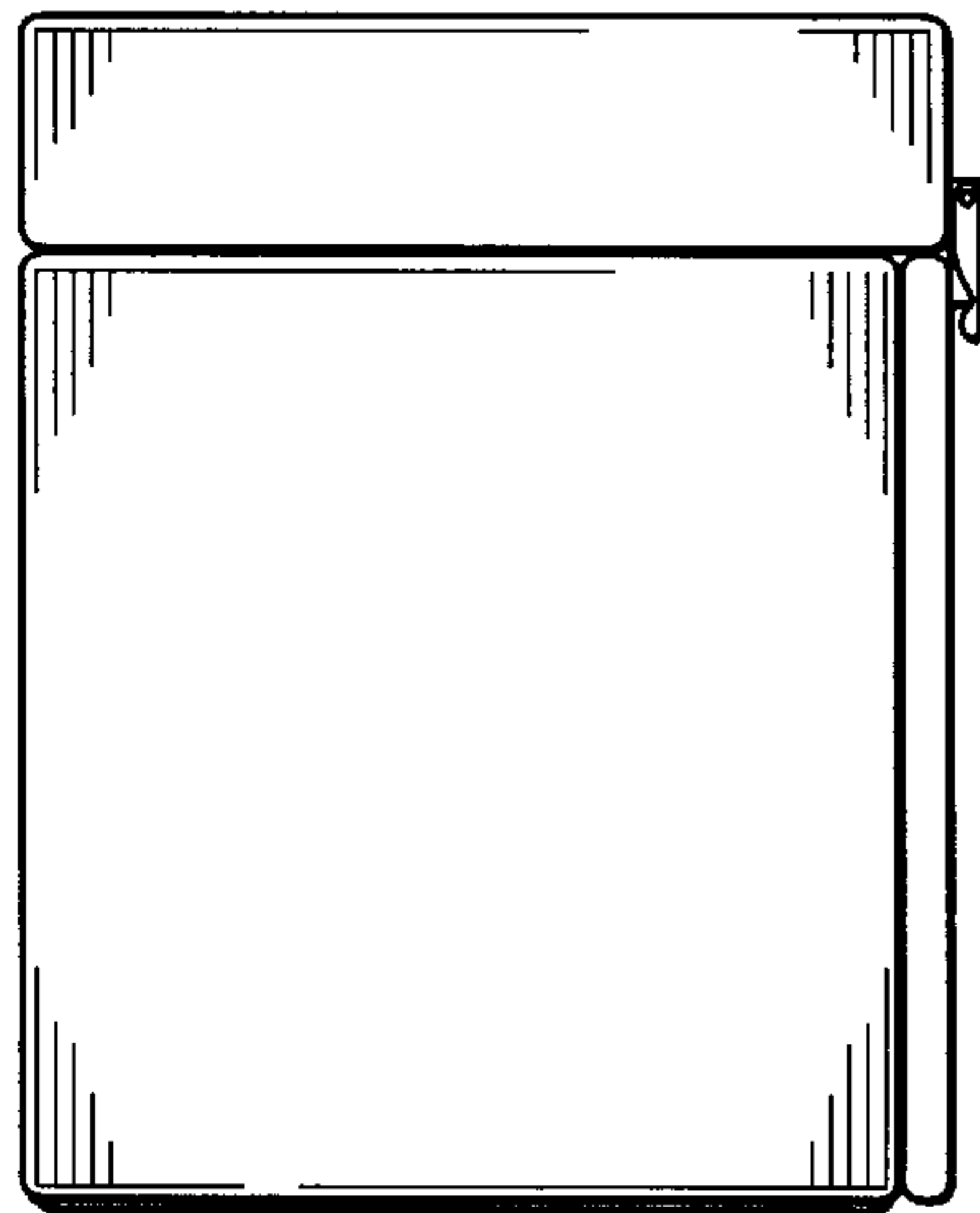


FIG. 5

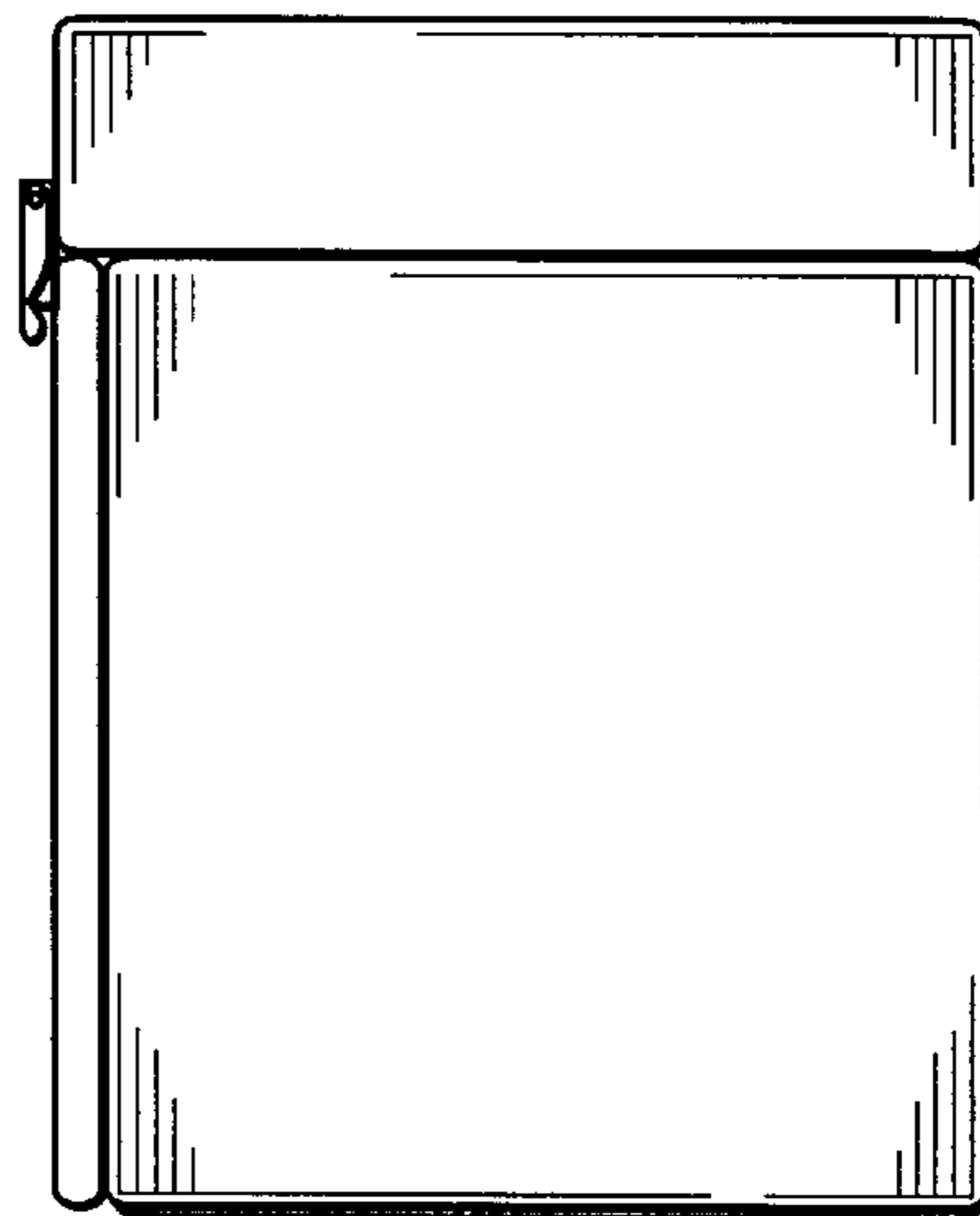


FIG. 6

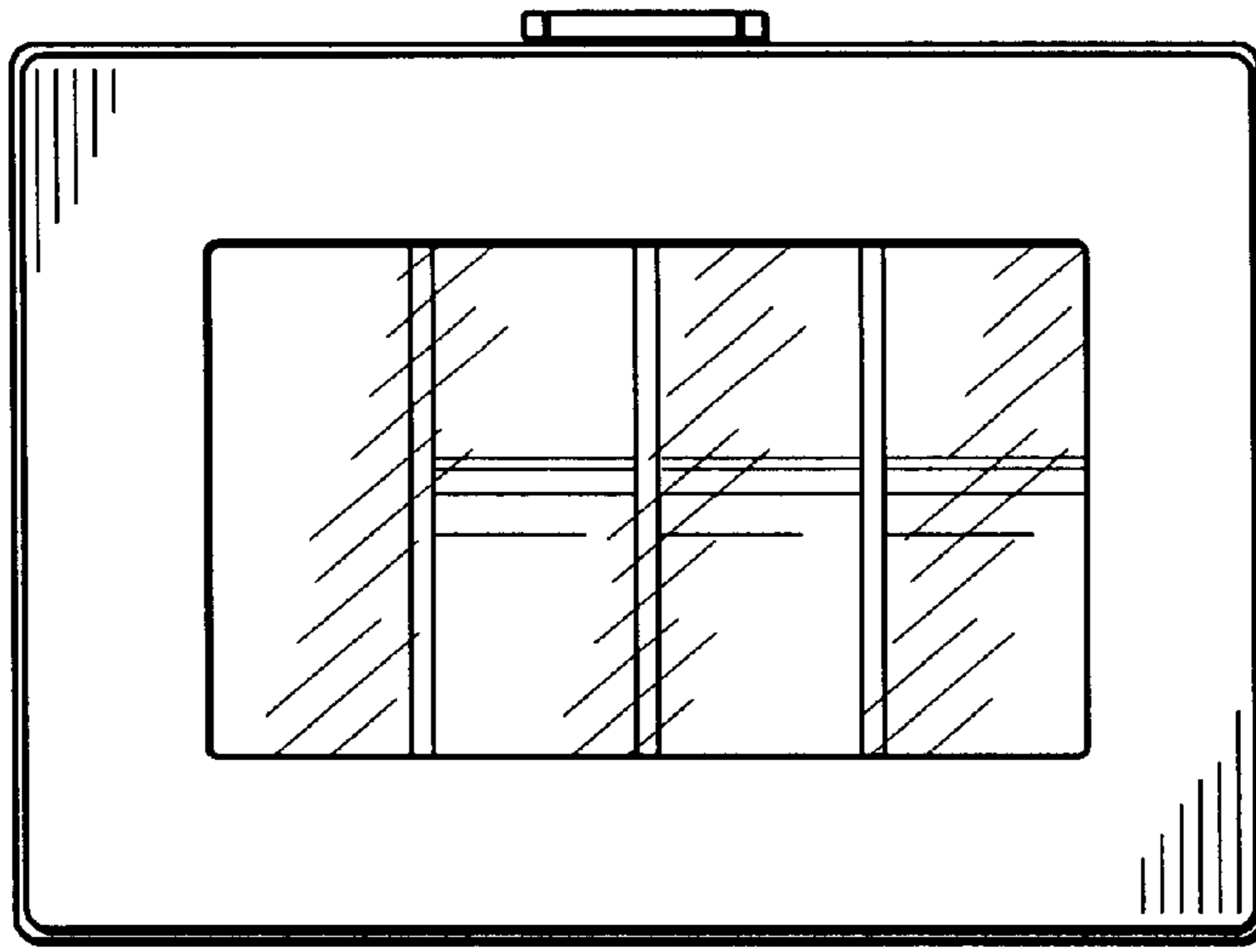


FIG. 7

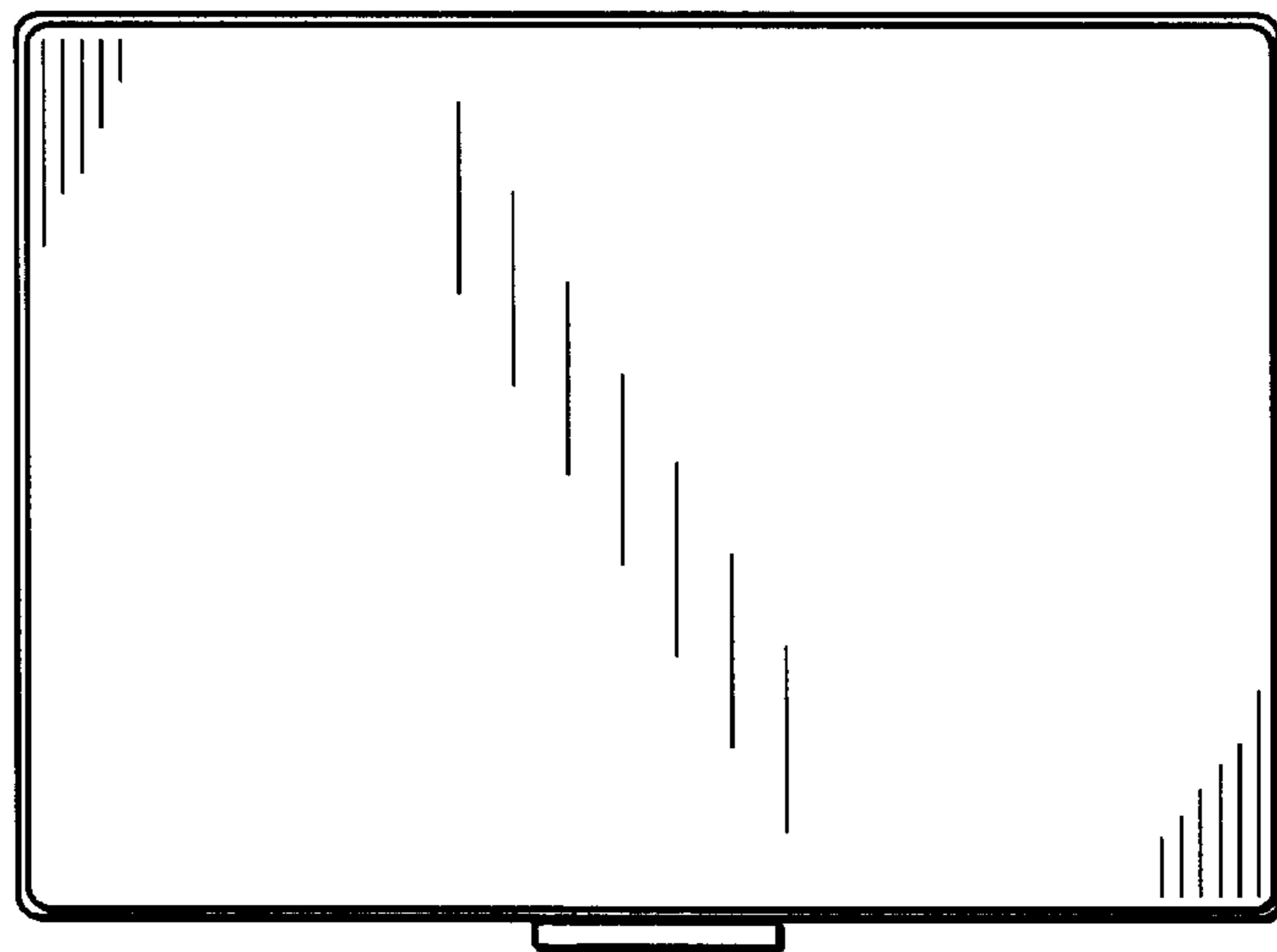


FIG. 8