



US00D449940B1

(12) **United States Design Patent**
Girard et al.

(10) **Patent No.:** **US D449,940 S**

(45) **Date of Patent:** **** Nov. 6, 2001**

(54) **DRUM STORAGE CONTAINER**

(75) Inventors: **Alan Michael Girard**, Brunswick;
Douglas M. Horner, Gates Mills, both
of OH (US)

(73) Assignee: **Polymer & Steel Technologies, Inc.**,
Eastlake, OH (US)

(**) Term: **14 Years**

(21) Appl. No.: **29/108,169**

(22) Filed: **Jul. 21, 1999**

(Under 37 CFR 1.47)

(51) **LOC (7) Cl.** **09-03**

(52) **U.S. Cl.** **D6/433; D25/33**

(58) **Field of Search** D34/1, 39; 220/908;
D6/441, 432, 510, 509, 446, 445, 433;
312/297, 183, 204; D25/33

(56) **References Cited**

U.S. PATENT DOCUMENTS

- D. 211,782 * 7/1968 Bright et al. D25/33
- D. 232,799 * 9/1974 Knudson D6/433
- D. 301,793 * 6/1989 Wingbro et al. D6/432 X
- D. 341,275 * 11/1993 Van Den Nieuwelaar D6/433
- D. 378,174 * 2/1997 Kamin et al. D6/433
- D. 388,922 * 1/1998 Peters D34/1
- D. 393,522 * 4/1998 Pettis et al. D34/39

- D. 396,972 * 8/1998 Van De Oudeweetering D6/433
- D. 412,626 * 8/1999 Hohanson et al. D6/433
- D. 426,314 * 6/2000 Girard et al. D25/33
- 4,520,945 * 6/1985 Hodge 220/908 X
- 5,186,330 * 2/1993 McClure 220/908 X

* cited by examiner

Primary Examiner—Cynthia E Ramirez

(74) *Attorney, Agent, or Firm*—Pearne & Gordon LLP

(57) **CLAIM**

The ornamental design for a drum storage container, as shown and described.

DESCRIPTION

FIG. 1 is a front perspective view of a drum storage container, showing our new design;
 FIG. 2 is a rear perspective view thereof;
 FIG. 3 is a top view thereof;
 FIG. 4 is a front elevational view thereof;
 FIG. 5 is a left side elevational view, the right side elevational view being a mirror image thereof;
 FIG. 6 is a rear elevational view thereof; and,
 FIG. 7 is a front perspective view showing the interior of the drum storage container according to our new design.
 The broken line showing of a base and a drum in FIG. 7 is for illustrative purposes only and forms no part of the claimed design.

1 Claim, 4 Drawing Sheets

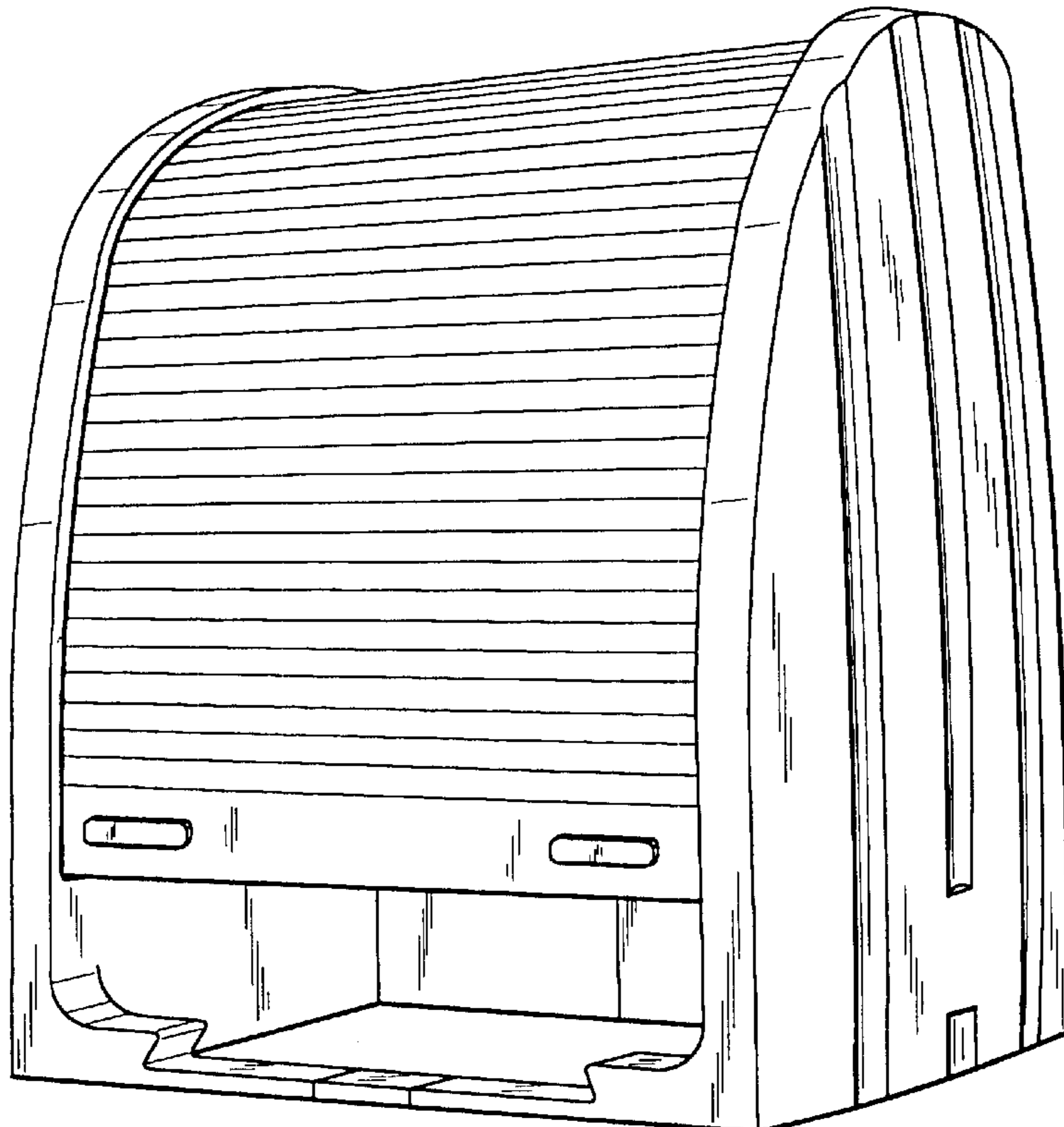


FIG. 1

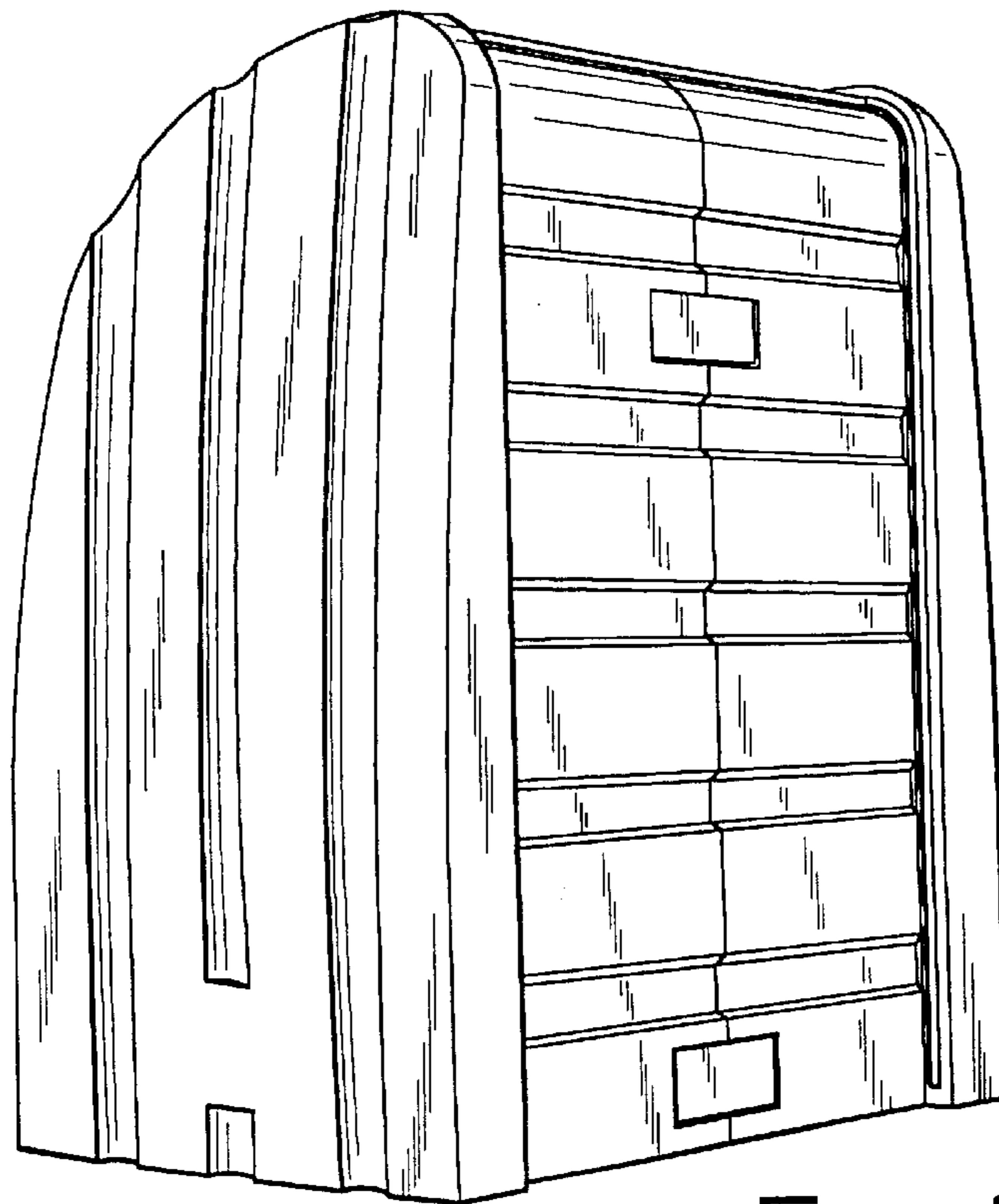
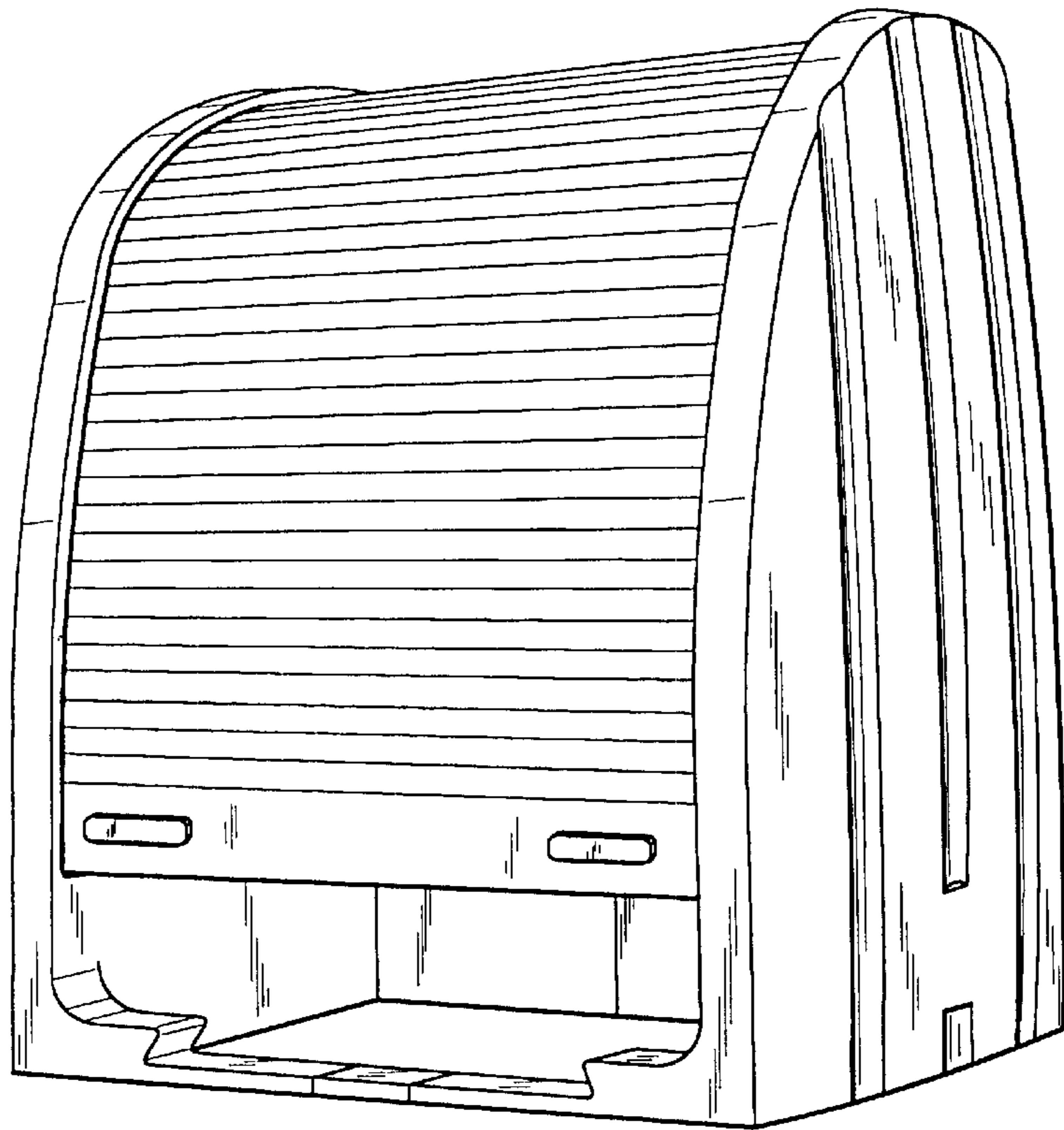


FIG. 2

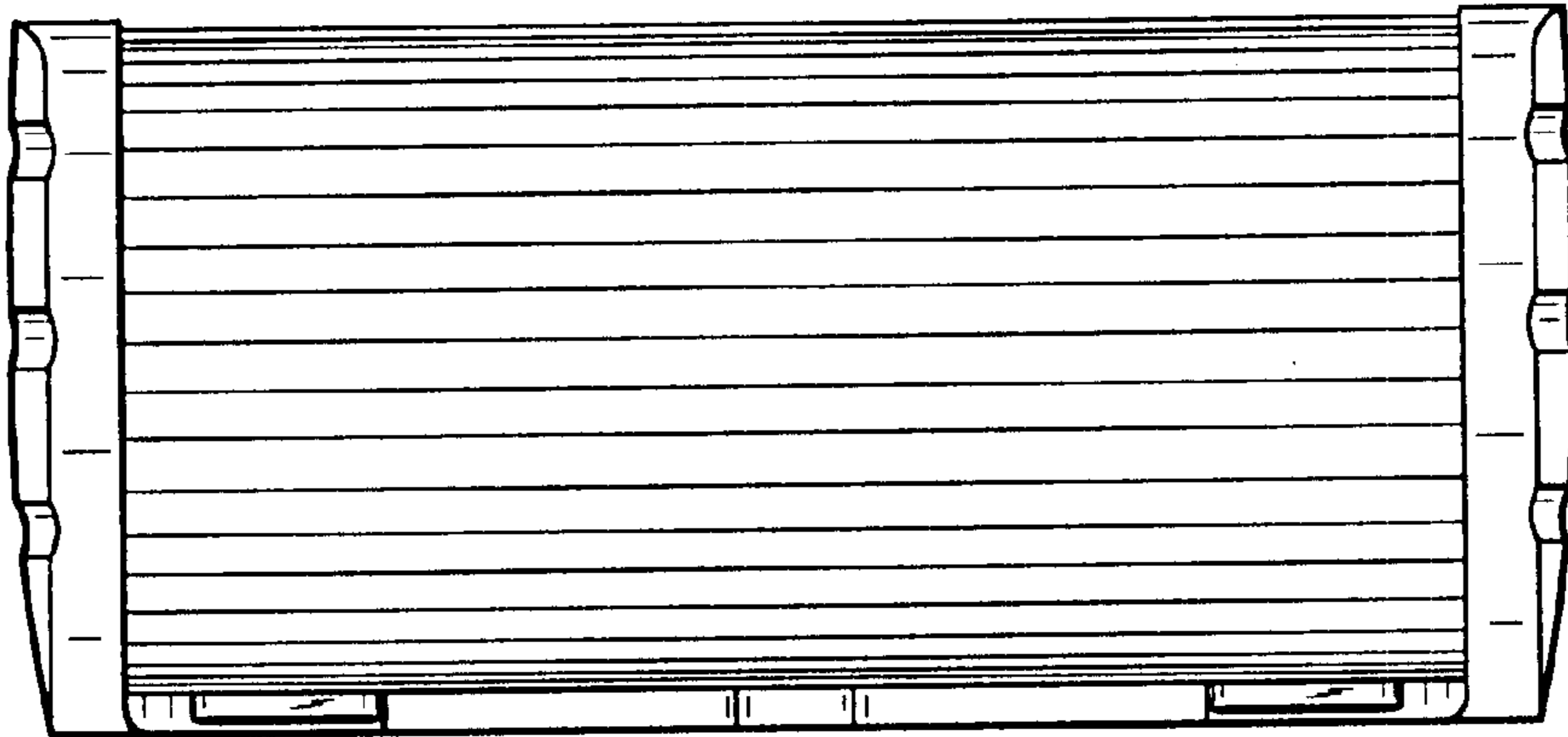


FIG. 3

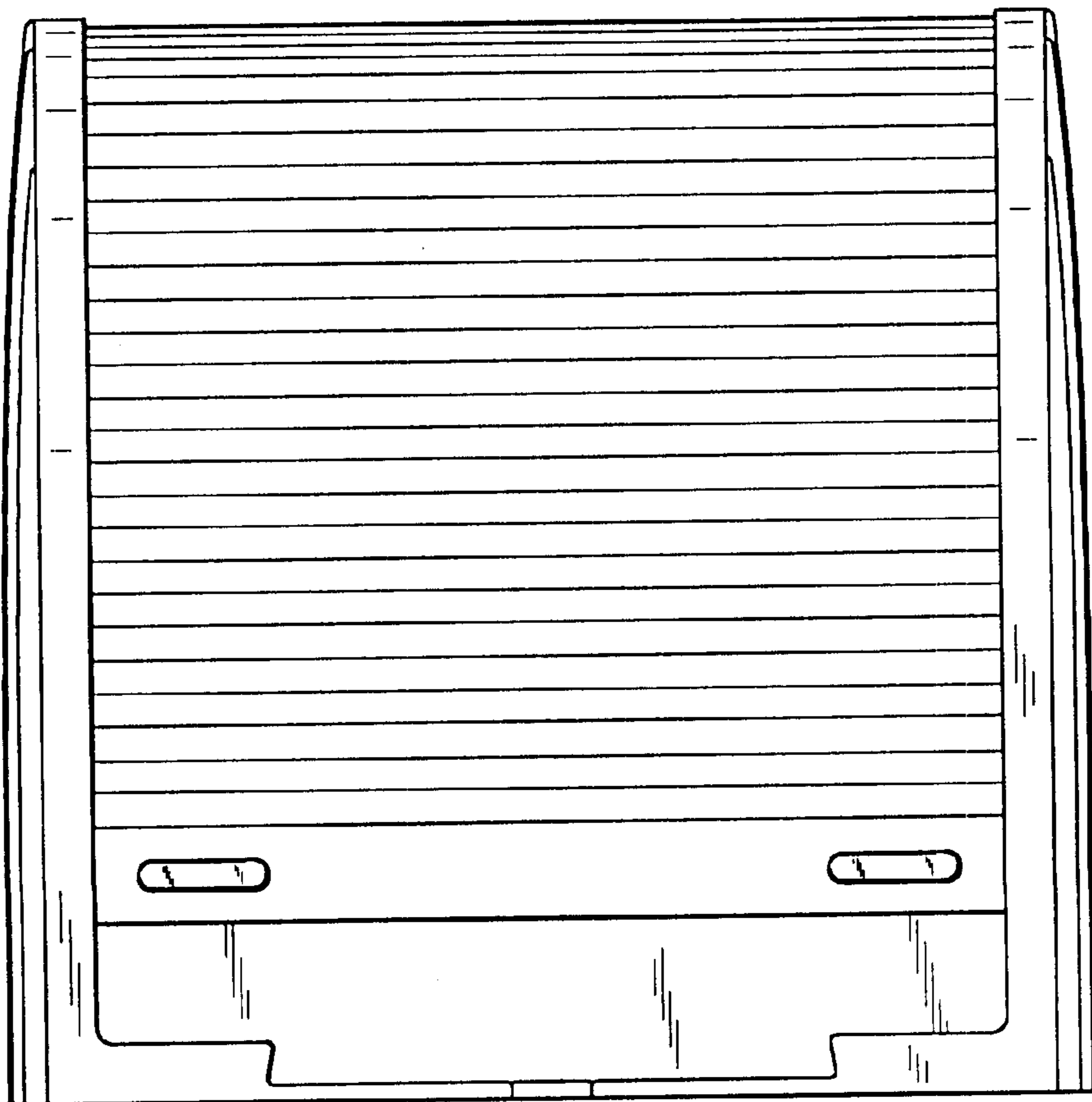


FIG. 4

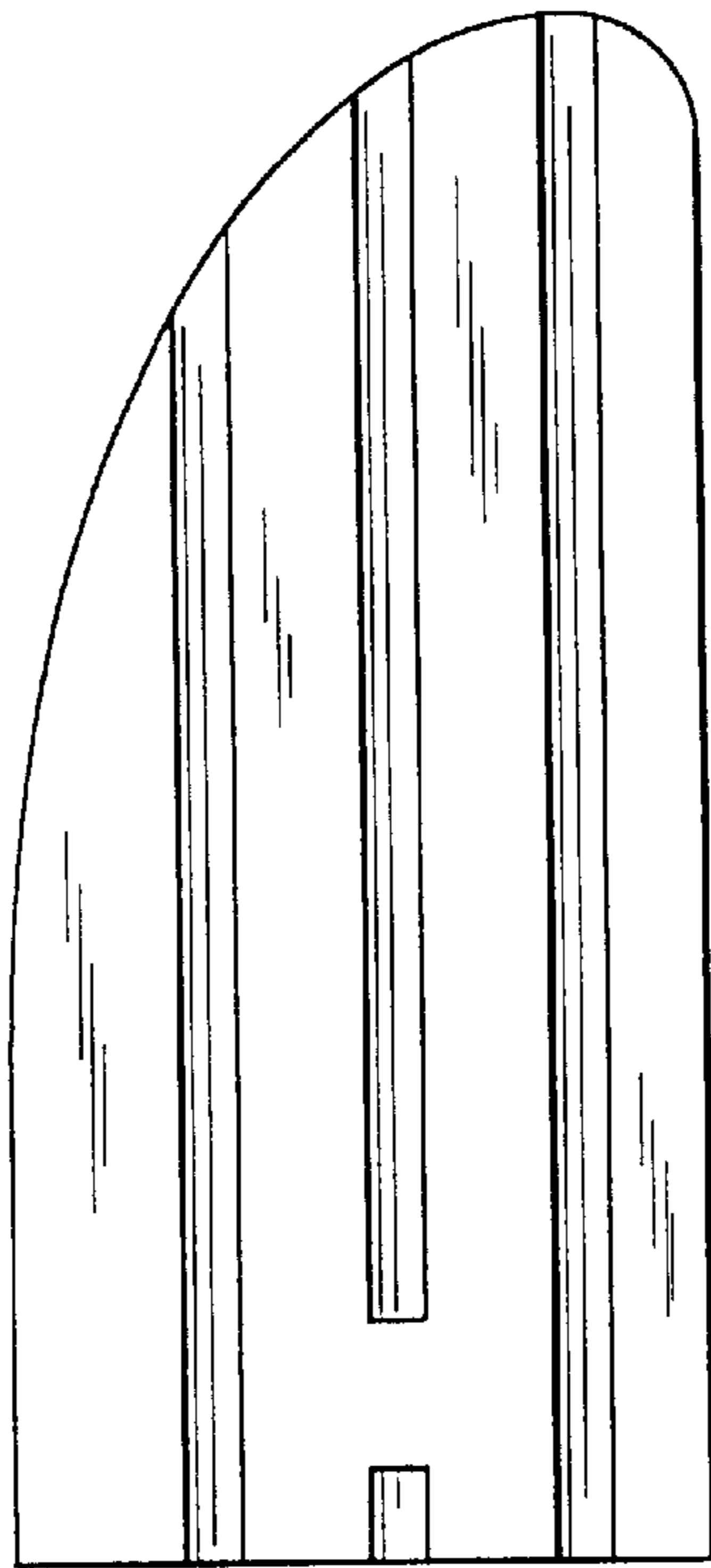


FIG. 5

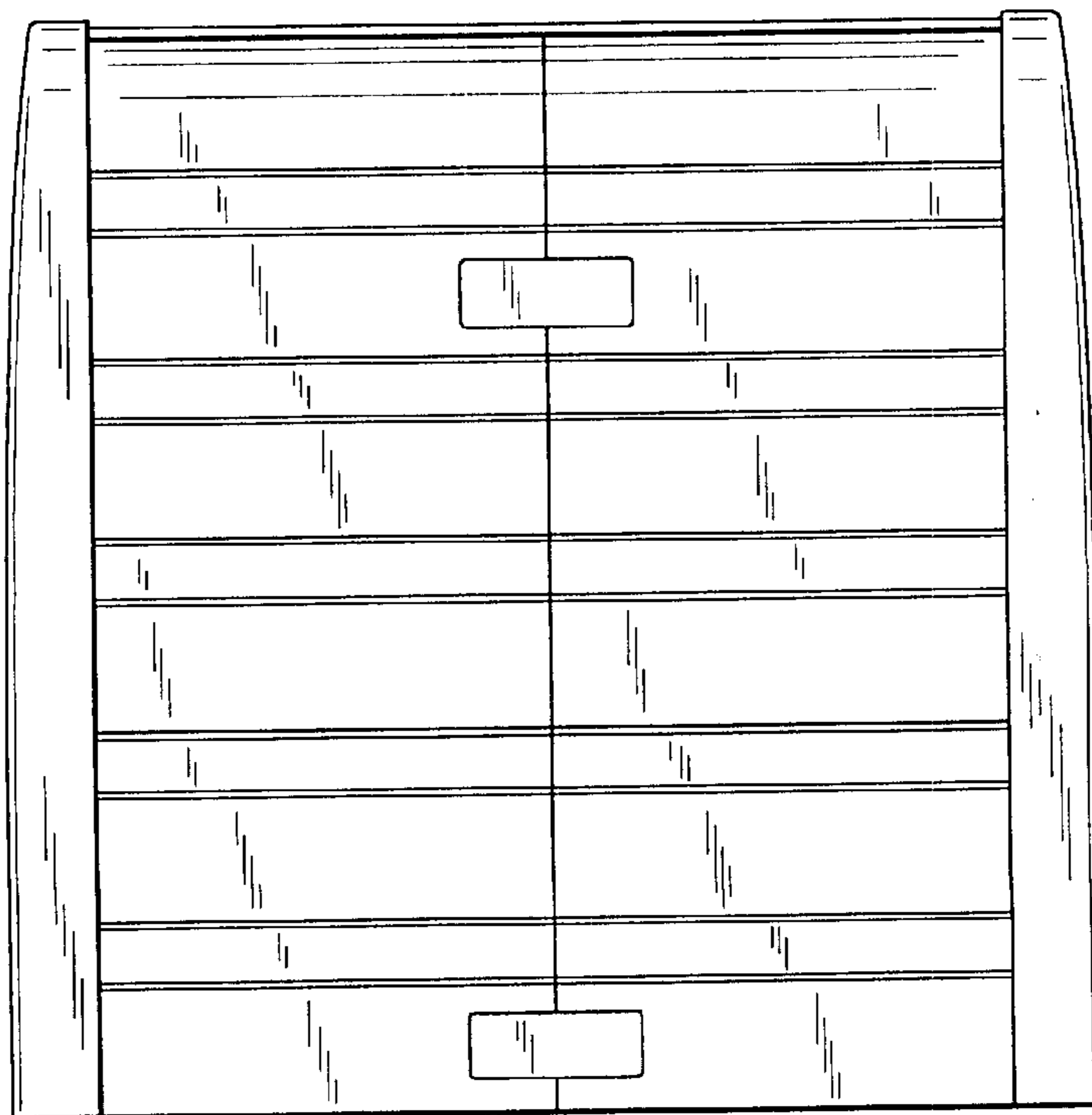


FIG. 6

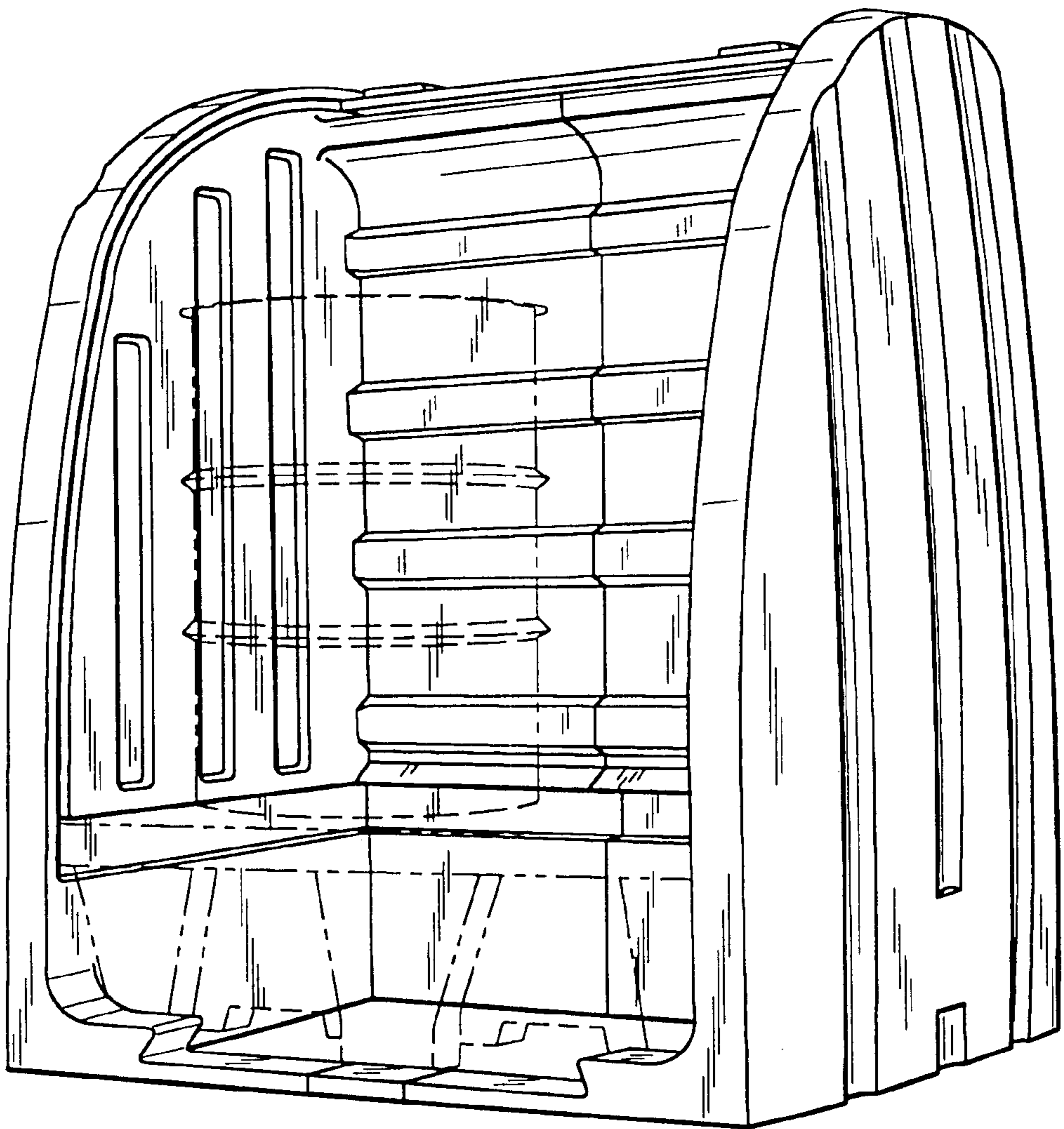


FIG. 7