



US00D449938B1

(12) **United States Design Patent**
Vanderiet et al.

(10) **Patent No.:** **US D449,938 S**

(45) **Date of Patent:** **** Nov. 6, 2001**

(54) **CHAIR**

(75) Inventors: **Douglas M. Vanderiet**, Holland, MI (US); **Jeff Weber**, Minneapolis, MN (US); **Todd D. Krupiczewicz**, Caledonia, MI (US)

(73) Assignee: **Herman Miller, Inc.**, Zeeland, MI (US)

(**) Term: **14 Years**

(21) Appl. No.: **29/123,667**

(22) Filed: **May 22, 2000**

(51) **LOC (7) Cl.** **06-01**

(52) **U.S. Cl.** **D6/380; D6/369**

(58) **Field of Search** D6/334, 369, 374, D6/379, 380, 500, 501, 502; 297/445.1, 446.1

(56) **References Cited**

U.S. PATENT DOCUMENTS

- D. 174,472 * 4/1955 Roth D6/374
- D. 195,620 * 7/1963 Chapman et al. D6/374
- D. 233,720 * 11/1974 Koepke D6/374
- D. 391,089 * 2/1998 Chu D6/366
- D. 404,586 * 1/1999 Citterio D6/380
- D. 406,951 * 3/1999 Herrmann D6/379
- D. 411,772 * 7/1999 Piretti D6/374

D. 420,828 * 2/2000 Bertoni D6/380

* cited by examiner

Primary Examiner—Gary D. Watson

(74) *Attorney, Agent, or Firm*—Brinks, Hofer, Gilson & Lione

(57) **CLAIM**

The ornamental design for a chair, as shown.

DESCRIPTION

FIG. 1 is a perspective view of a first embodiment of a chair; FIG. 2 is a front view of the first embodiment; FIG. 3 is a right view of the first embodiment; FIG. 4 is a left view of the first embodiment; FIG. 5 is a rear view of the first embodiment; FIG. 6 is a top view of the first embodiment; FIG. 7 is a bottom view of the first embodiment; FIG. 8 is a perspective view of a second embodiment of the chair; FIG. 9 is a front view of the second embodiment; FIG. 10 is a right view of the second embodiment; FIG. 11 is a left view of the second embodiment; FIG. 12 is a rear view of the second embodiment; FIG. 13 is a top view of the second embodiment; and, FIG. 14 is a bottom view of the second embodiment.

1 Claim, 8 Drawing Sheets

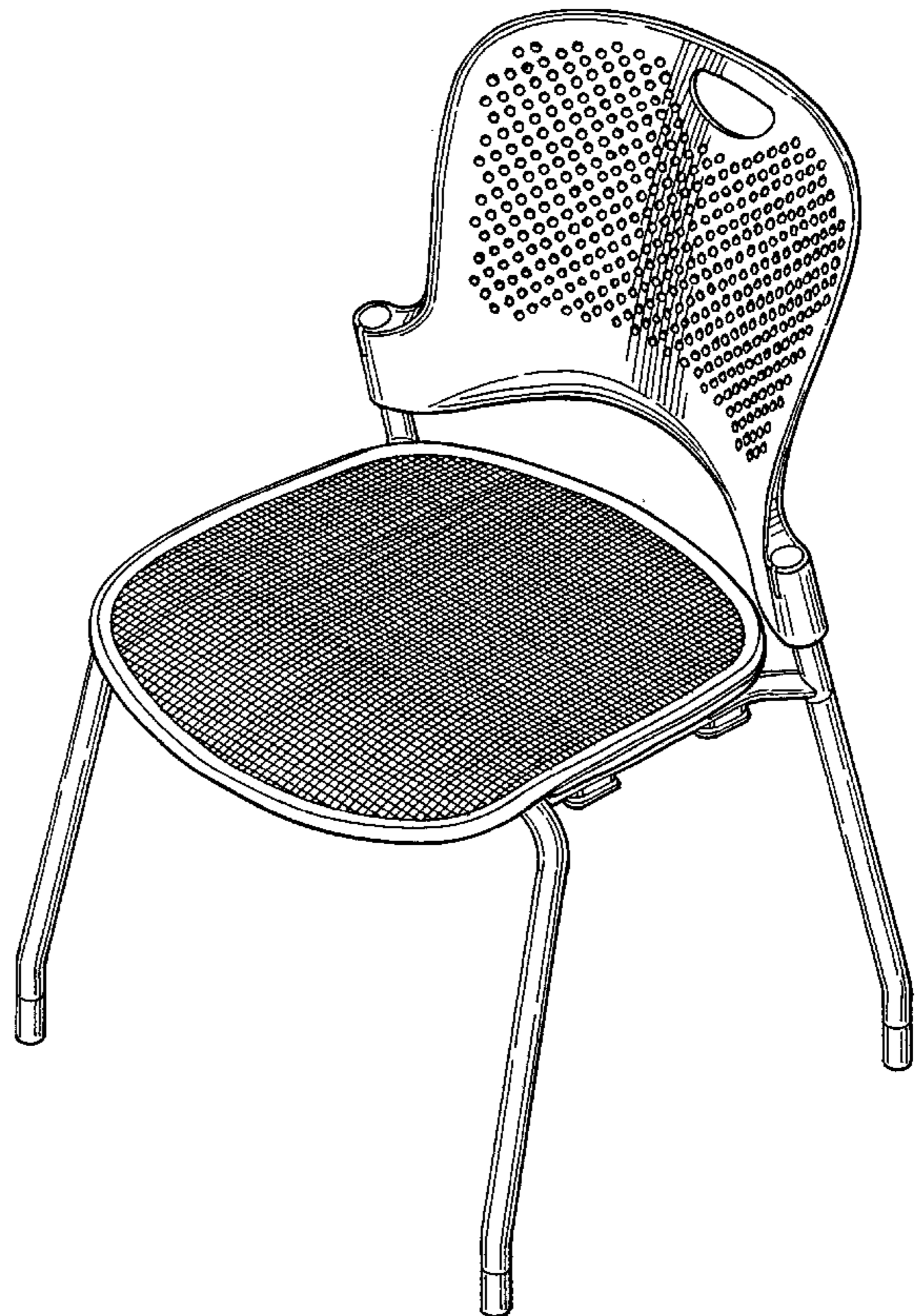
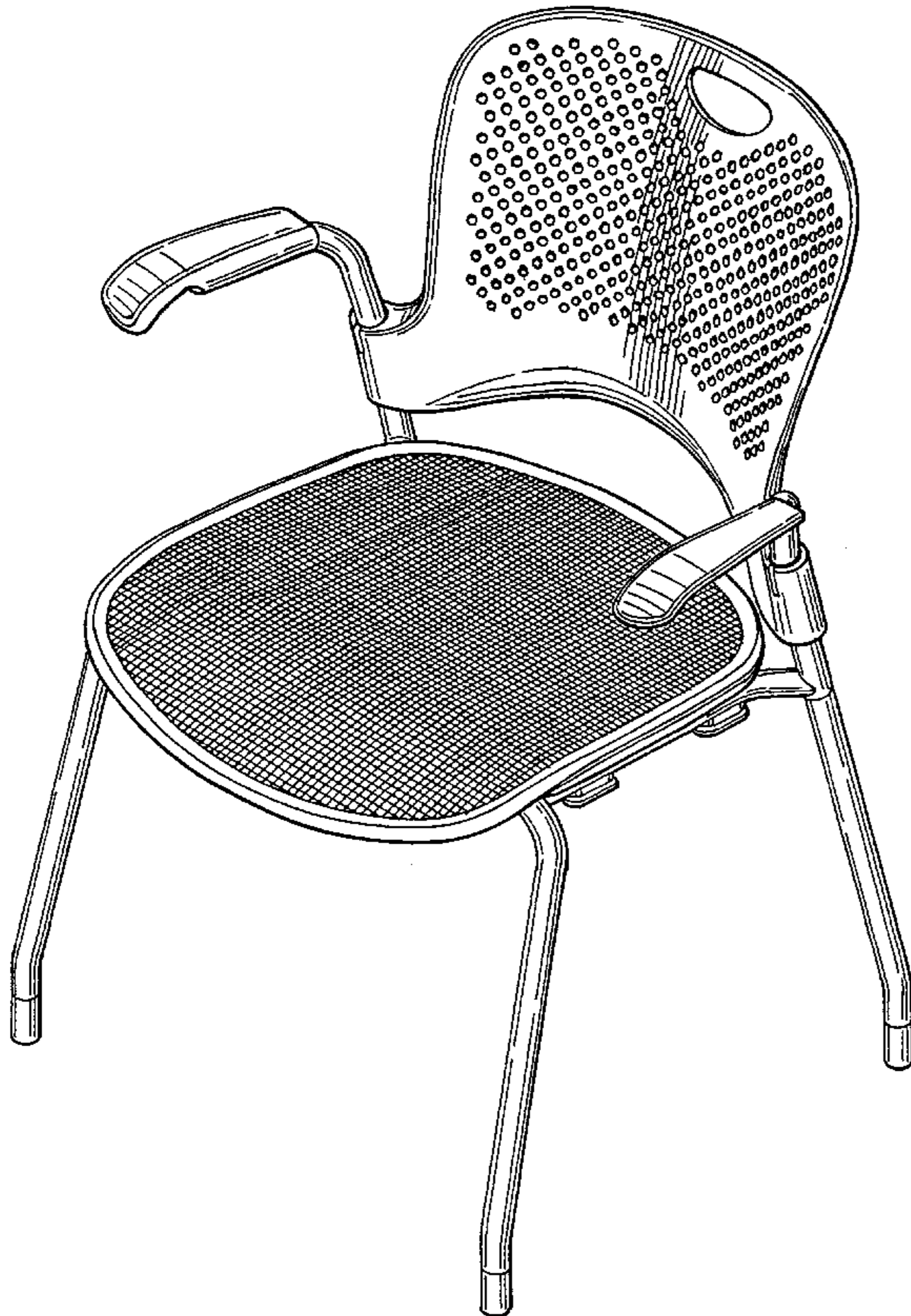
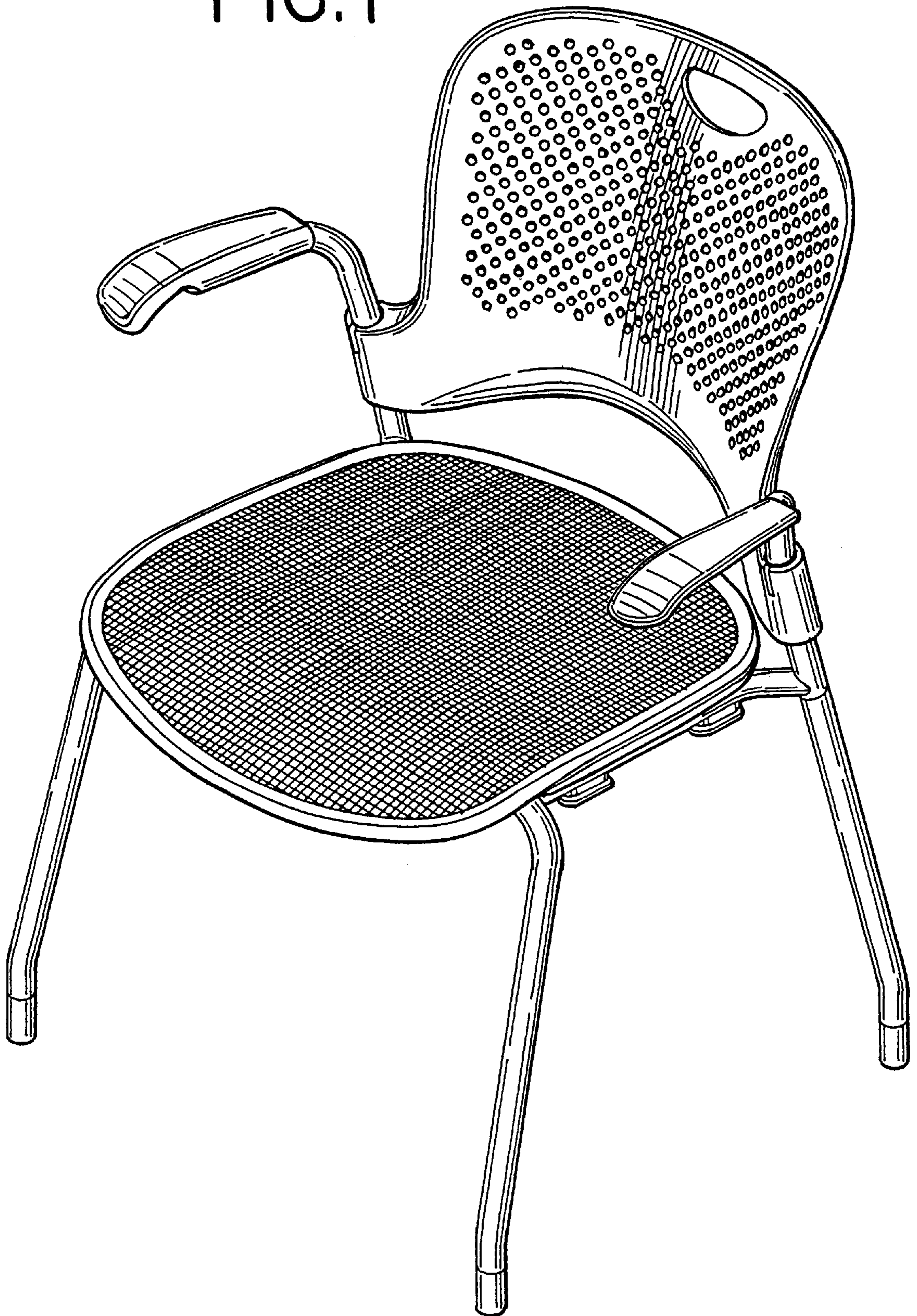


FIG. 1



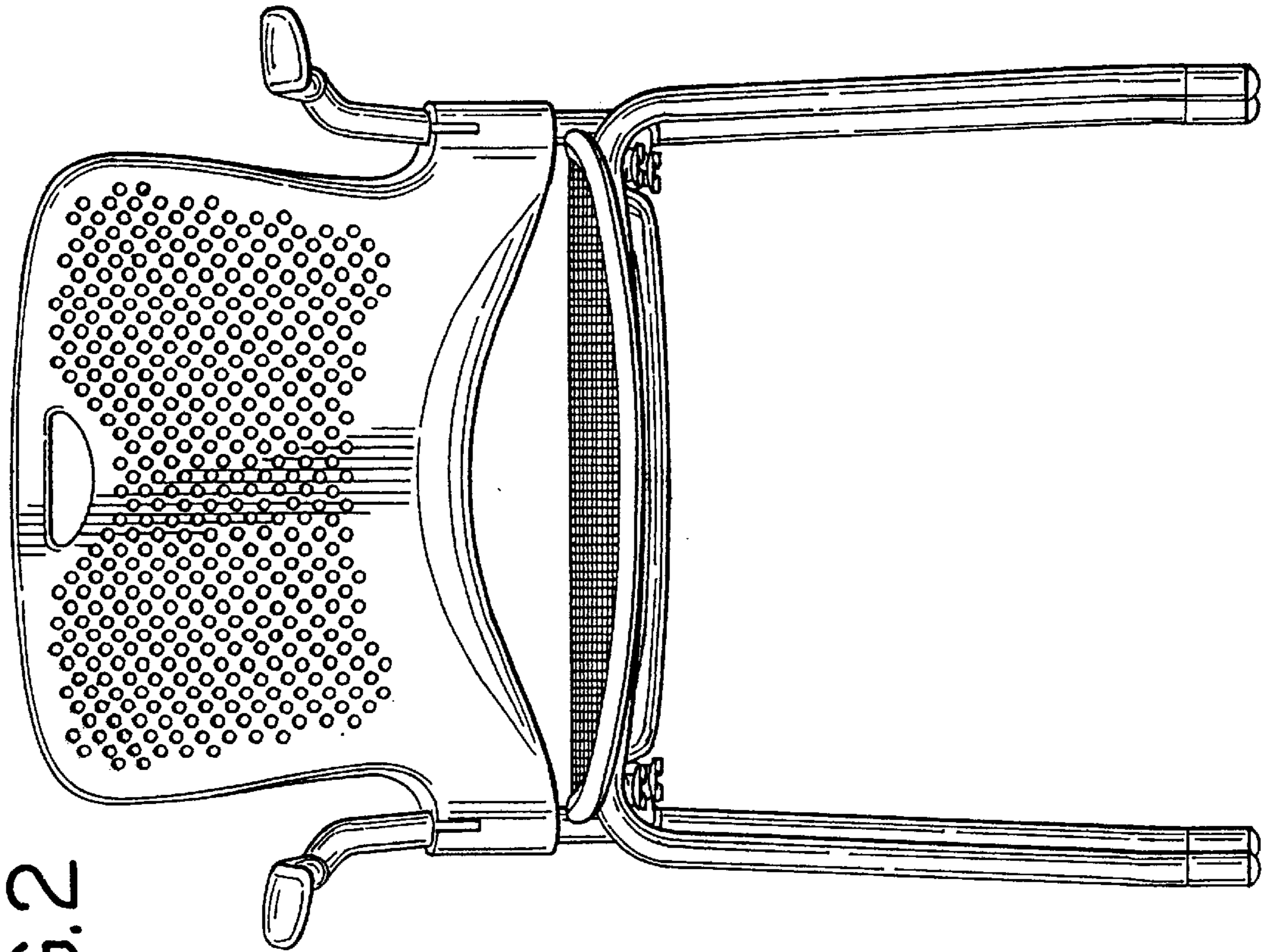


FIG. 2

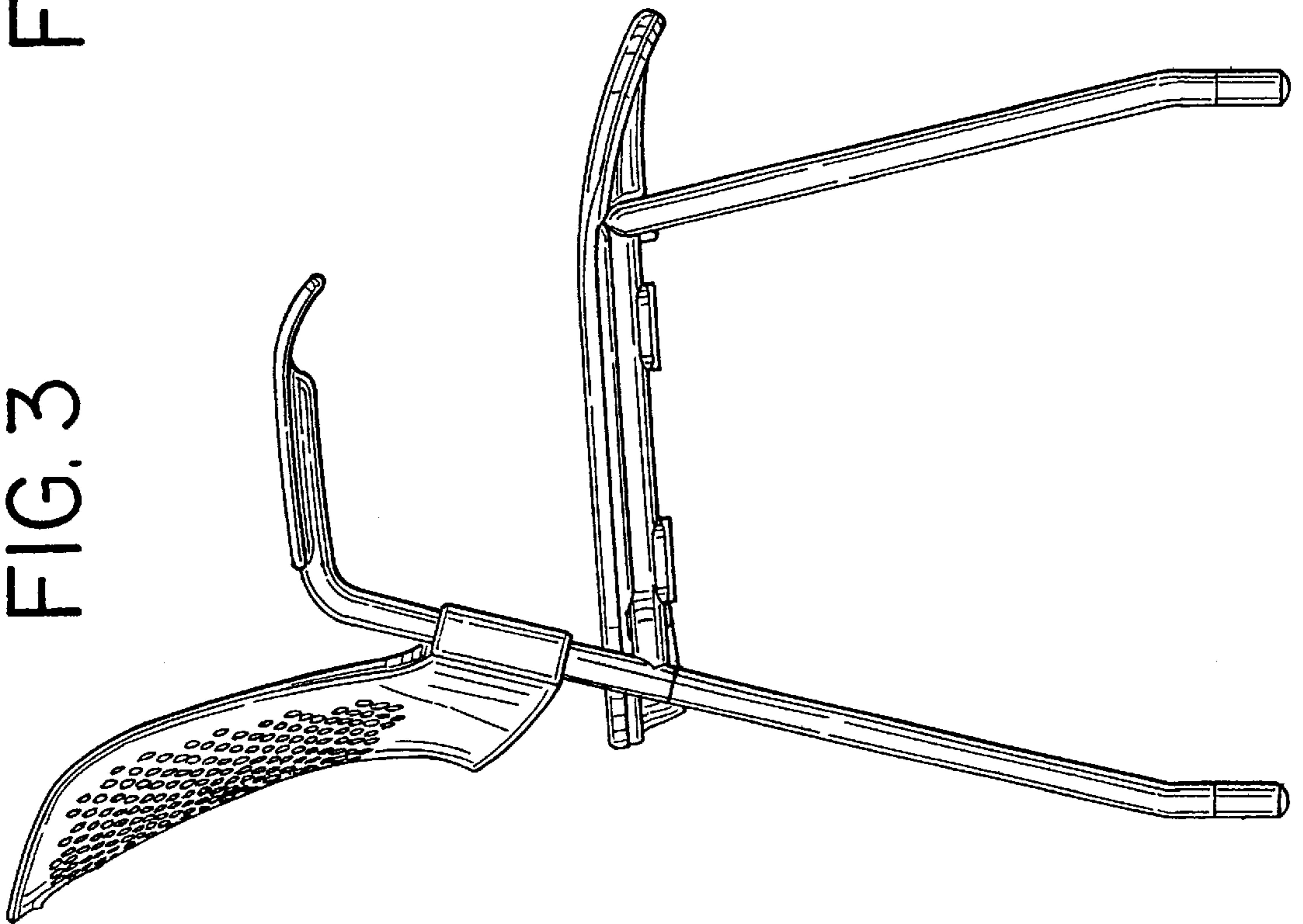


FIG. 3

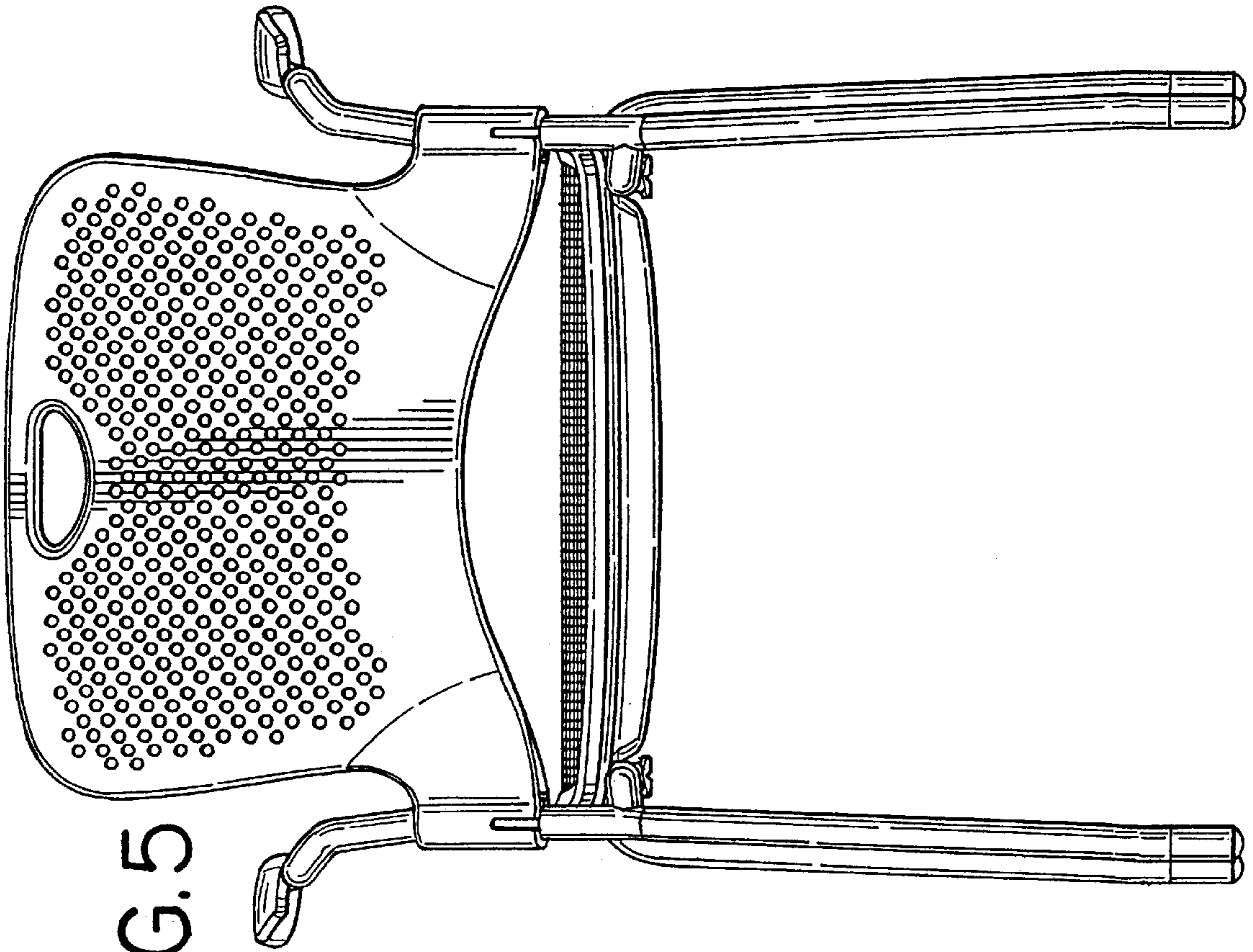


FIG. 5

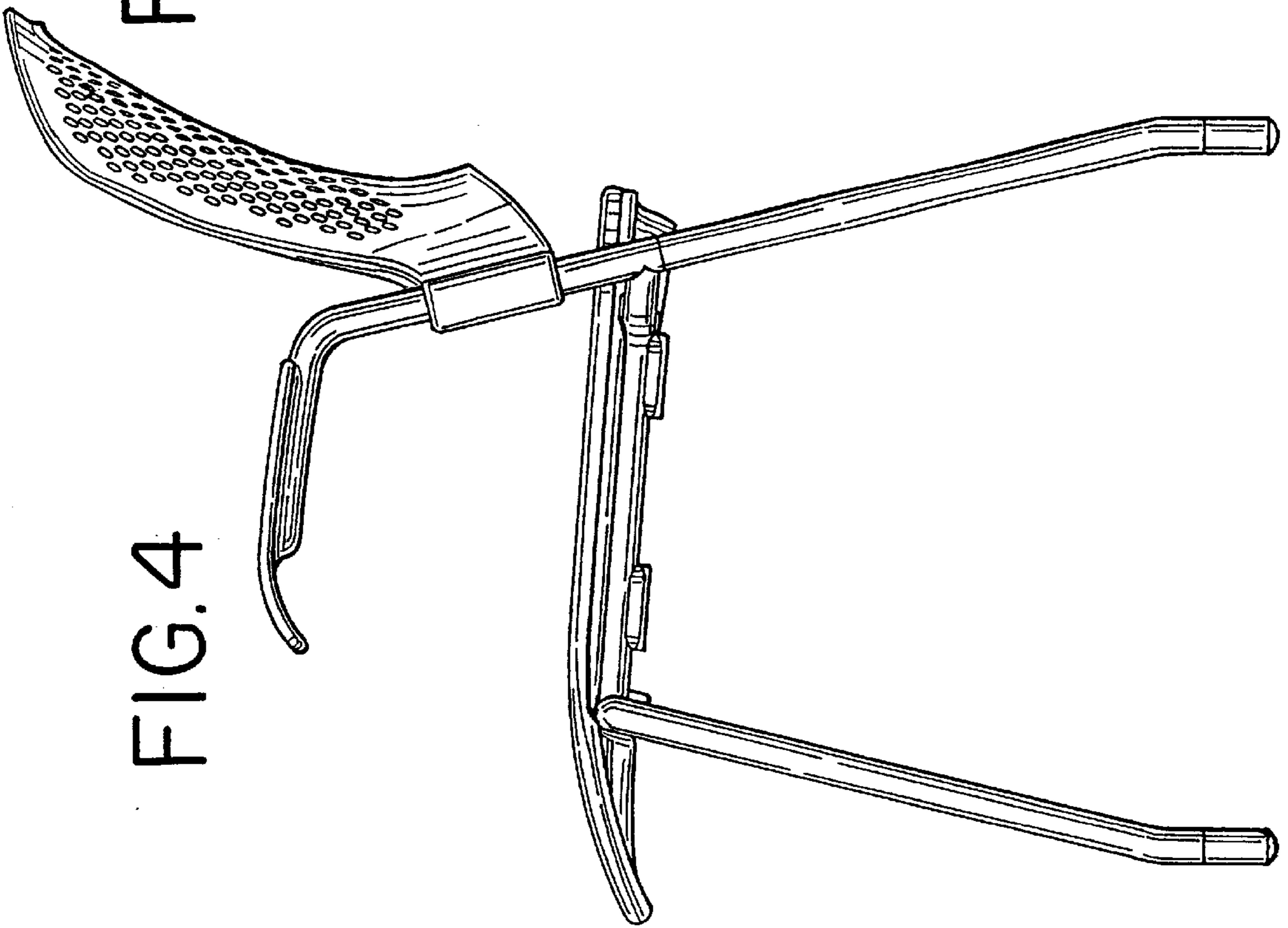


FIG. 4

FIG. 6

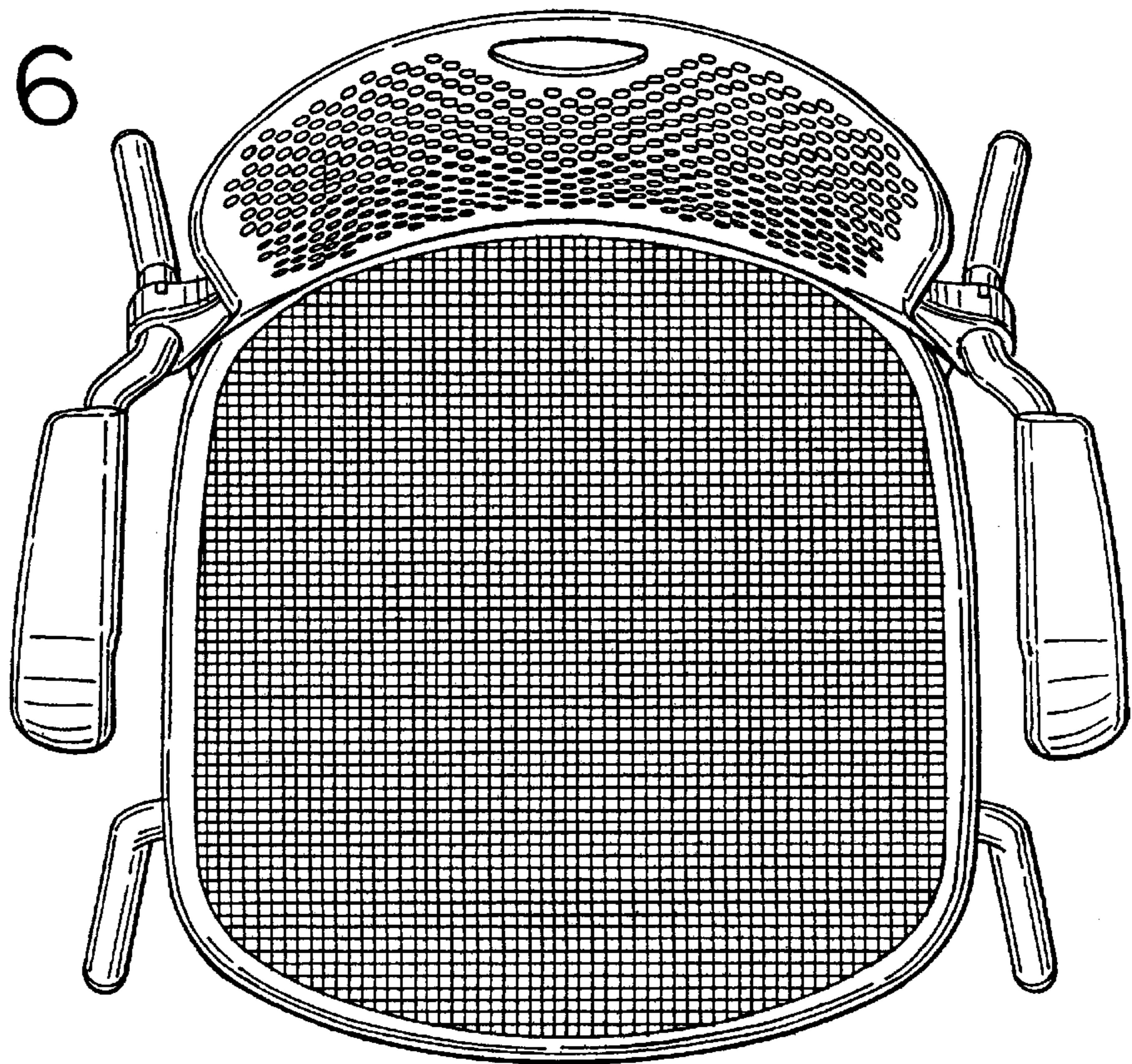


FIG. 7

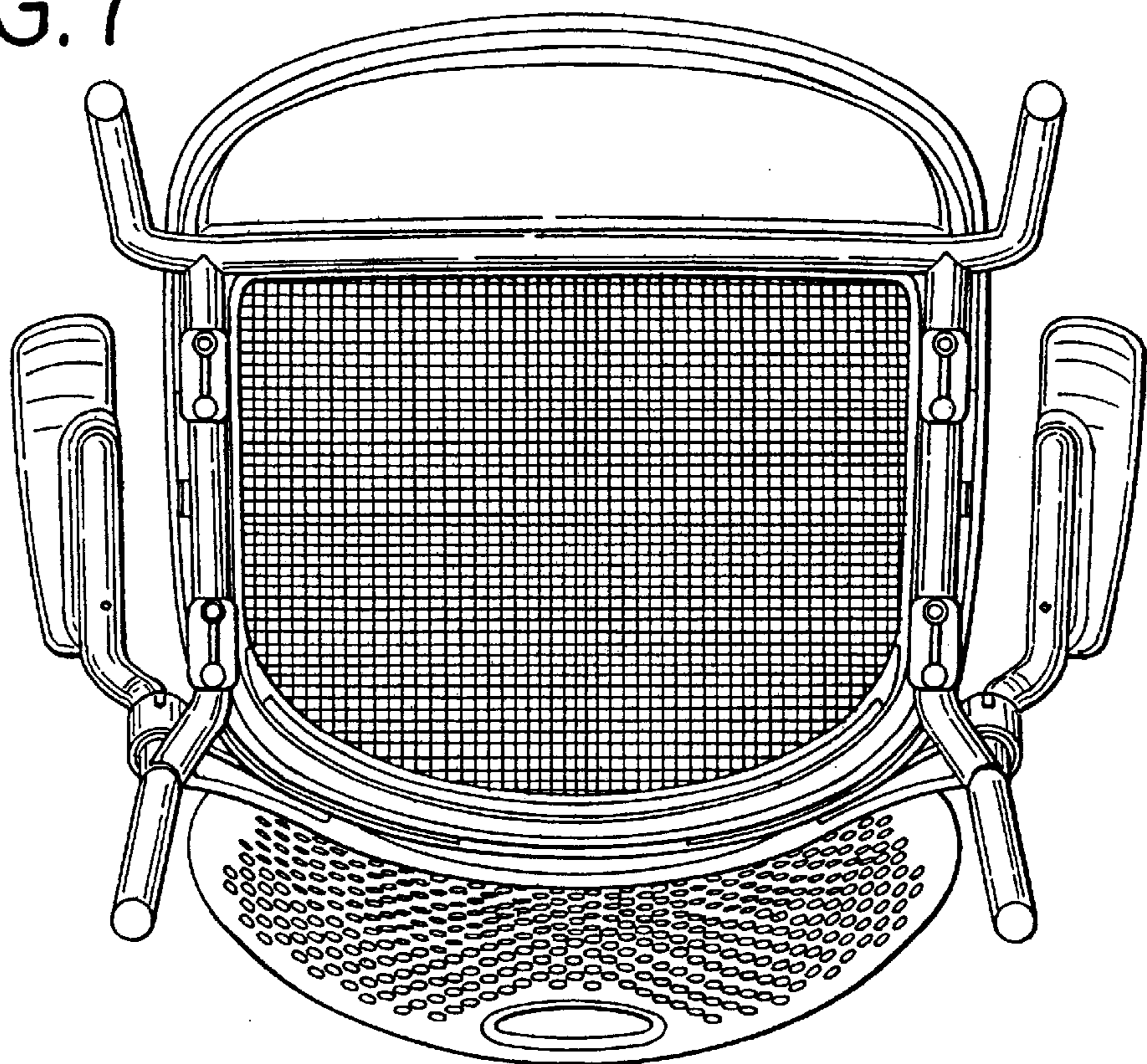


FIG. 8



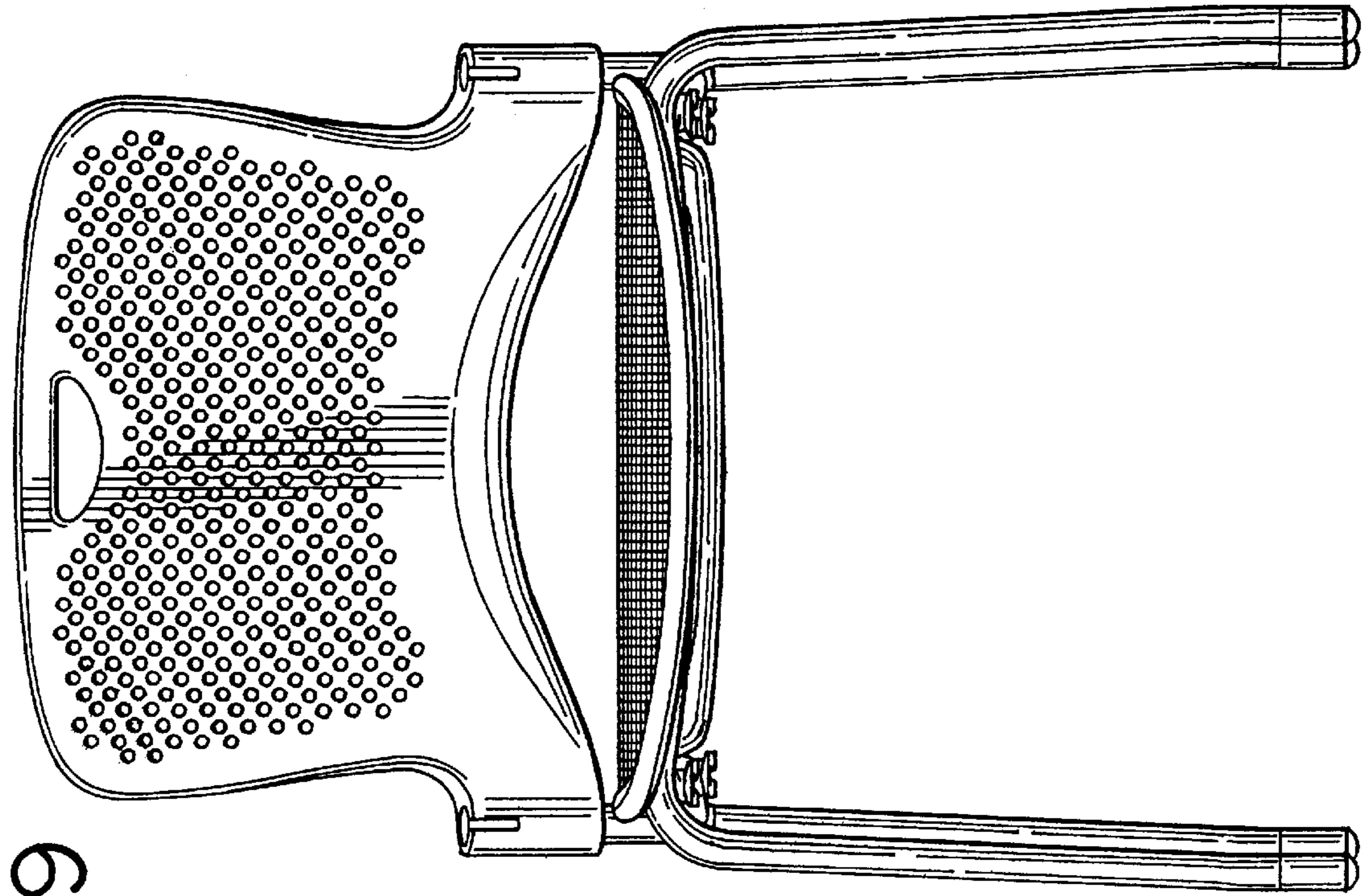


FIG. 9

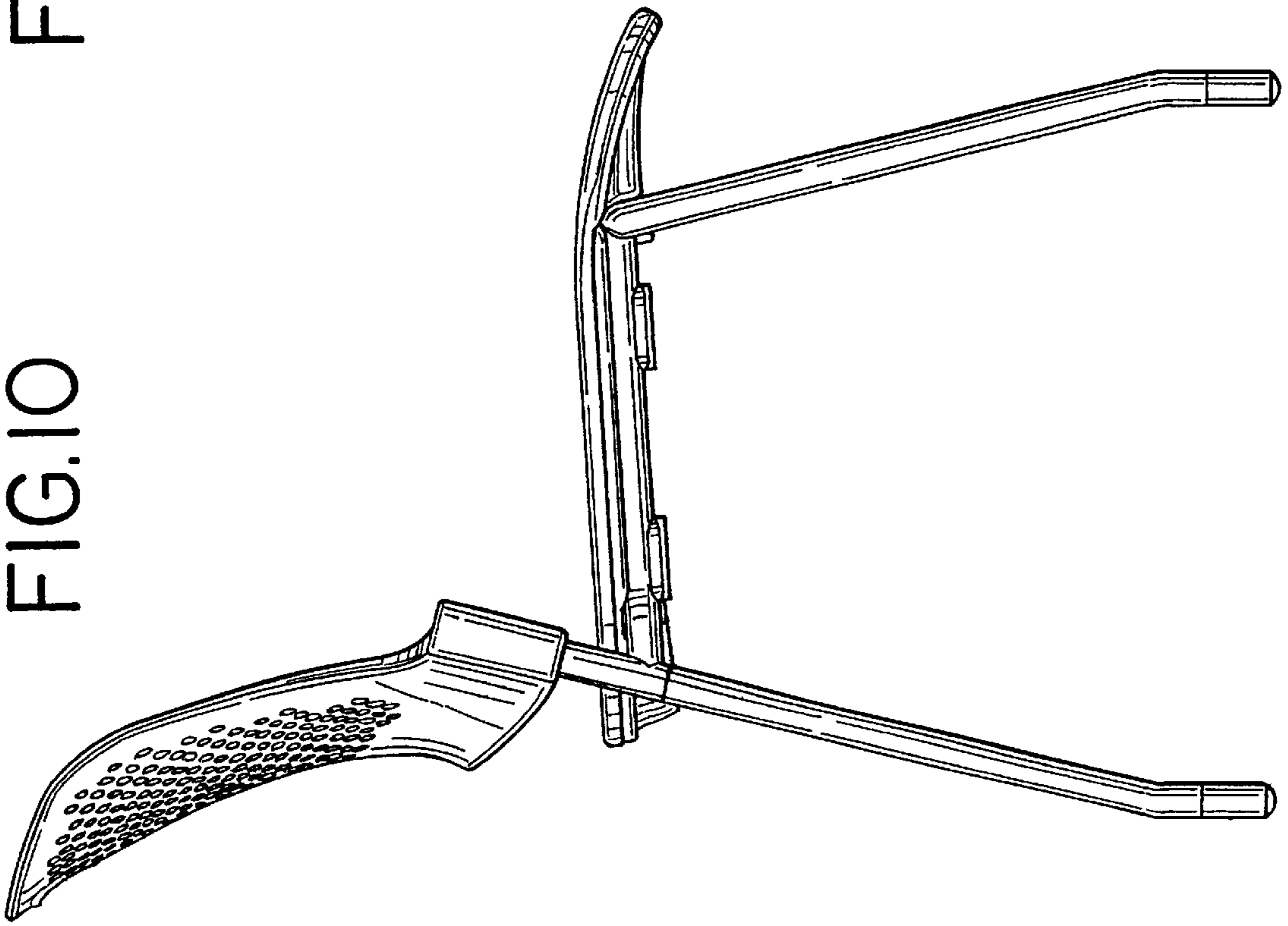


FIG. 10

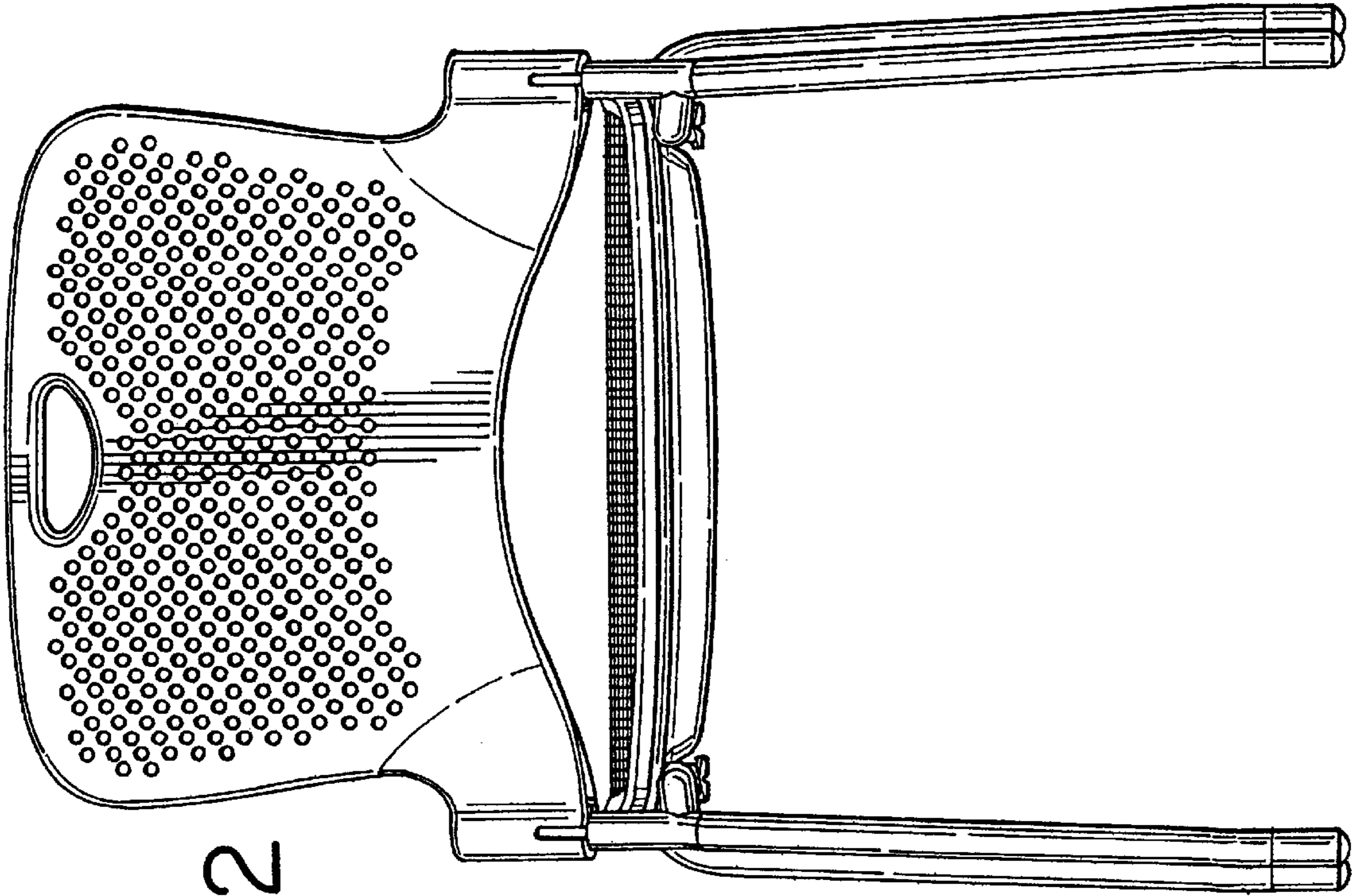


FIG. 12

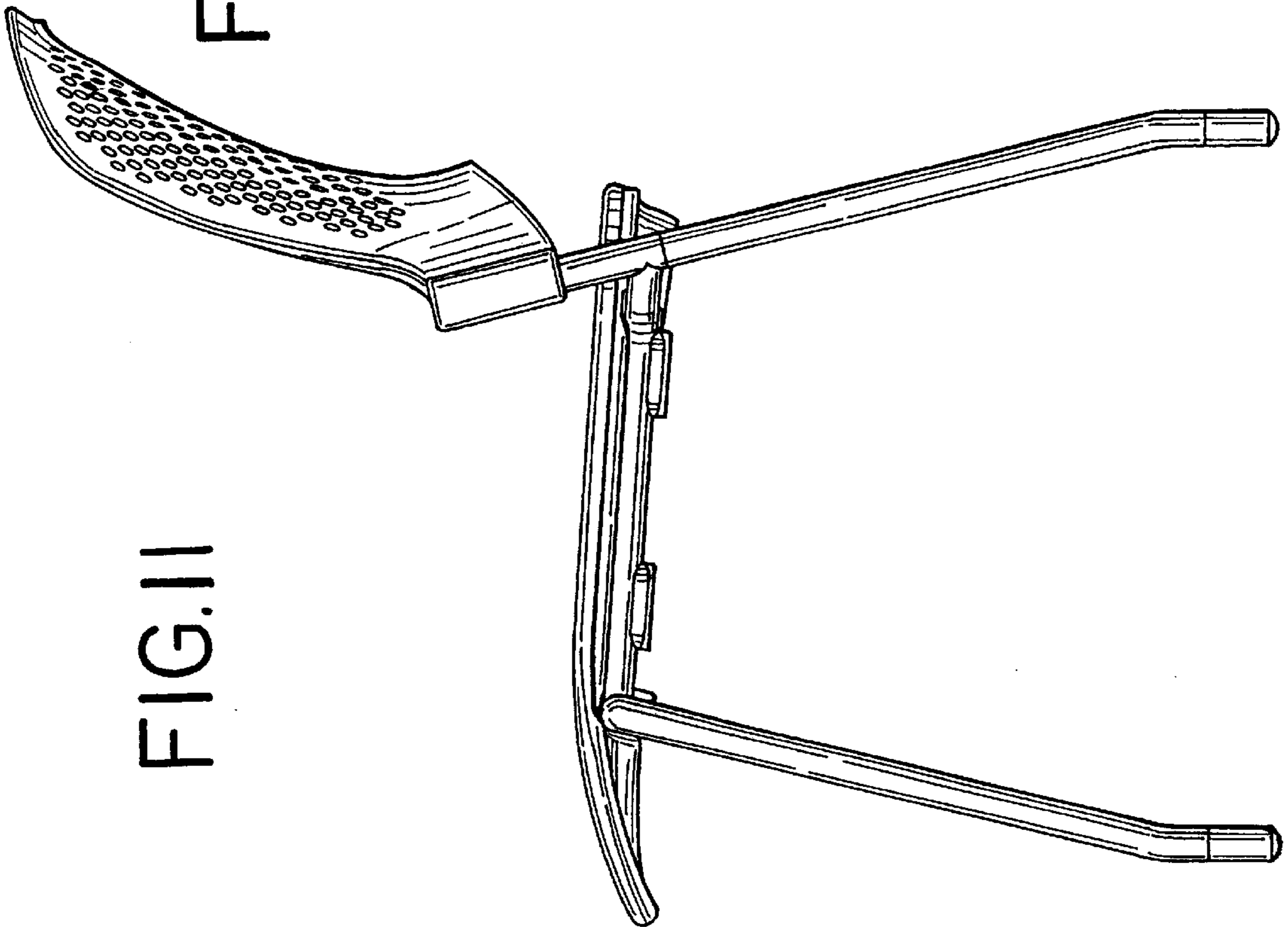


FIG. 11

FIG.14

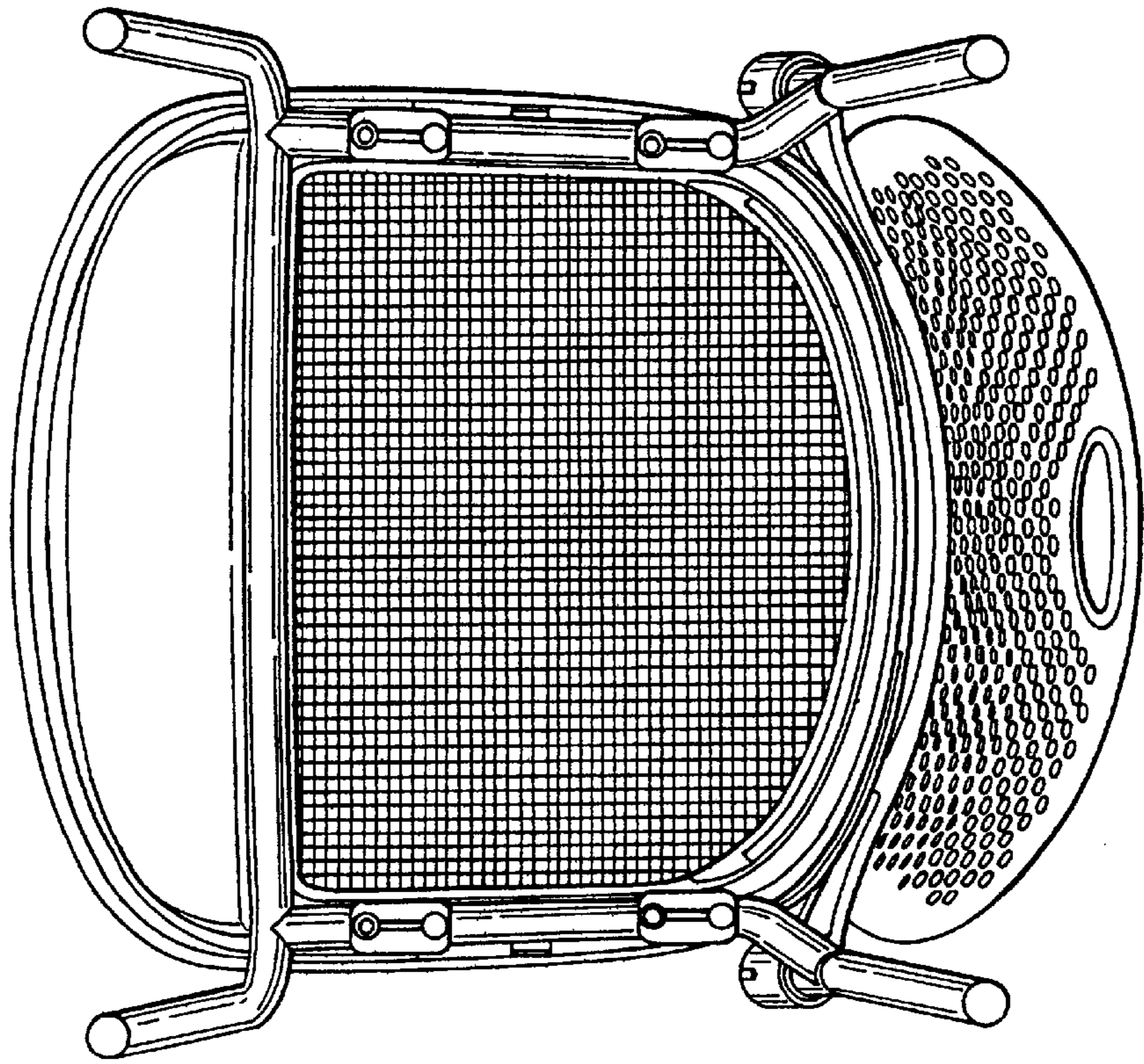


FIG.13

