



US00D44930B1

(12) **United States Design Patent**  
**Austin**

(10) **Patent No.:** **US D449,930 S**

(45) **Date of Patent:** **\*\* Nov. 6, 2001**

(54) **SANDING BLOCK HOLDER FOR A TOOL BELT**

(76) **Inventor:** **Christopher R. Austin, 5764**  
Rosewood Dr., Myrtle Beach, SC (US)  
29575

(\*\*) **Term:** **14 Years**

(21) **Appl. No.:** **29/126,186**

(22) **Filed:** **Jul. 8, 2000**

(51) **LOC (7) Cl.** ..... **03-01**

(52) **U.S. Cl.** ..... **D3/228**

(58) **Field of Search** ..... D3/228, 215, 218,  
D3/225, 230, 224, 226; 224/904, 901, 240,  
253, 251, 930, 666

(56) **References Cited**

**U.S. PATENT DOCUMENTS**

D. 161,571	*	1/1951	Dauenhauer	.....	D3/228
D. 193,678	*	9/1962	Goldman	.....	D3/228
D. 196,542	*	10/1963	Zelnick	.....	D3/228
D. 329,140	*	9/1992	Maricle	.....	D3/225
D. 373,241	*	9/1996	Chavez et al.	.....	D3/218
3,990,617	*	11/1976	Carter	.....	224/666
4,598,027	*	7/1986	Johnson	.....	224/904

\* cited by examiner

*Primary Examiner*—Louis S. Zarfaz  
*Assistant Examiner*—Catherine R. Oliver  
(74) *Attorney, Agent, or Firm*—Harleston Law Firm;  
Kathleen M. Harleston

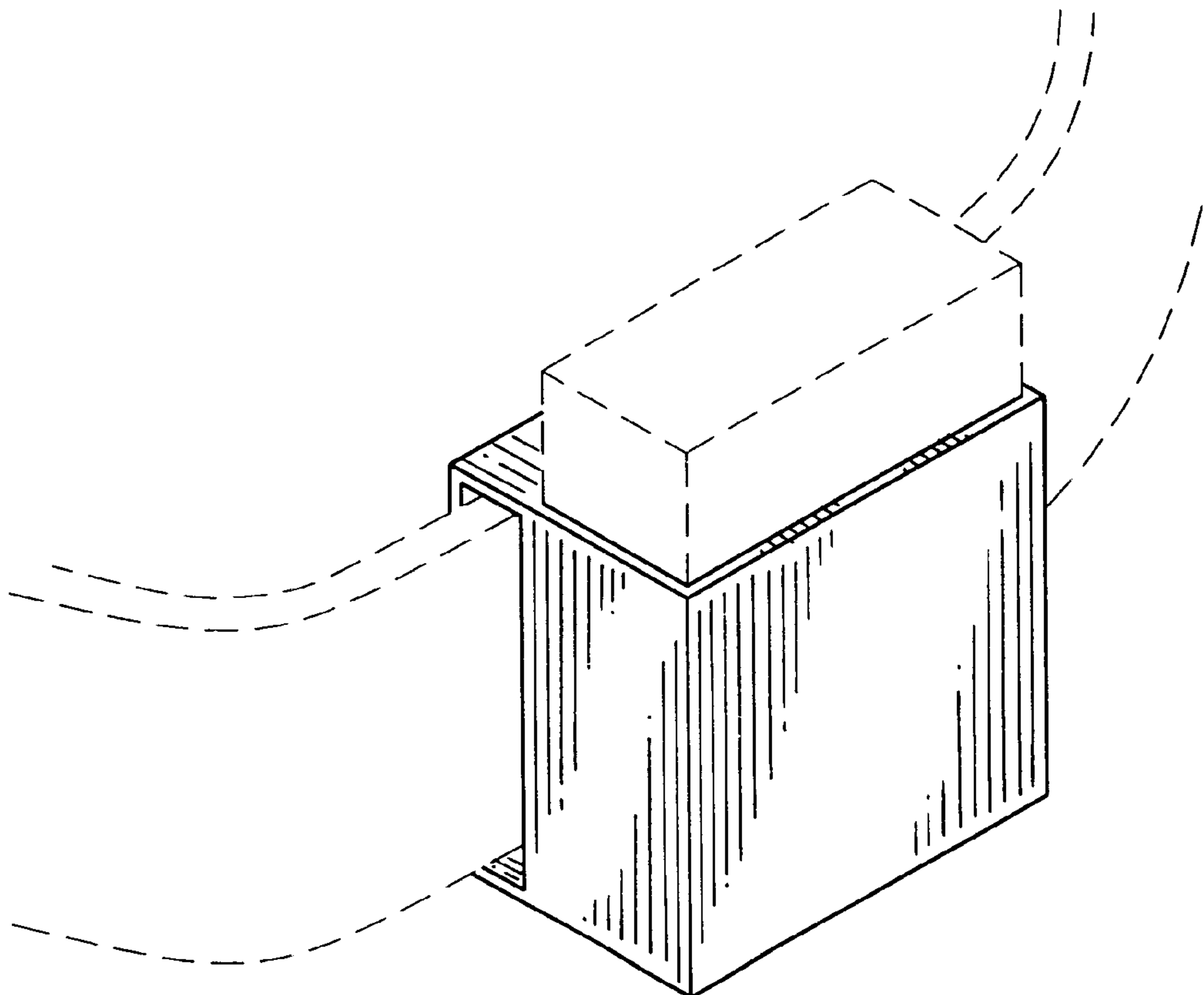
(57) **CLAIM**

The ornamental design for a sanding block holder for a tool belt, as shown and described.

**DESCRIPTION**

FIG. 1 is a front perspective view of a sanding block holder for a tool belt, showing my new design;  
FIG. 2 is a front perspective view of a sanding block holder for a tool belt, showing my new design;  
FIG. 3 is a top plan view of the sanding block holder for a tool belt of FIG. 2;  
FIG. 4 is a front elevational view of the sanding block holder for a tool belt of FIG. 2;  
FIG. 5 is a left side elevational view of the sanding block holder for a tool belt of FIG. 2, the right side being a mirror image of the left side; and,  
FIG. 6 is a bottom plan view of the sanding block holder for a tool belt of FIG. 2.  
In FIG. 1 of the drawings, the broken line disclosure of a belt and sanding block are for illustrative purposes only and form no part of the claimed design.

**1 Claim, 3 Drawing Sheets**



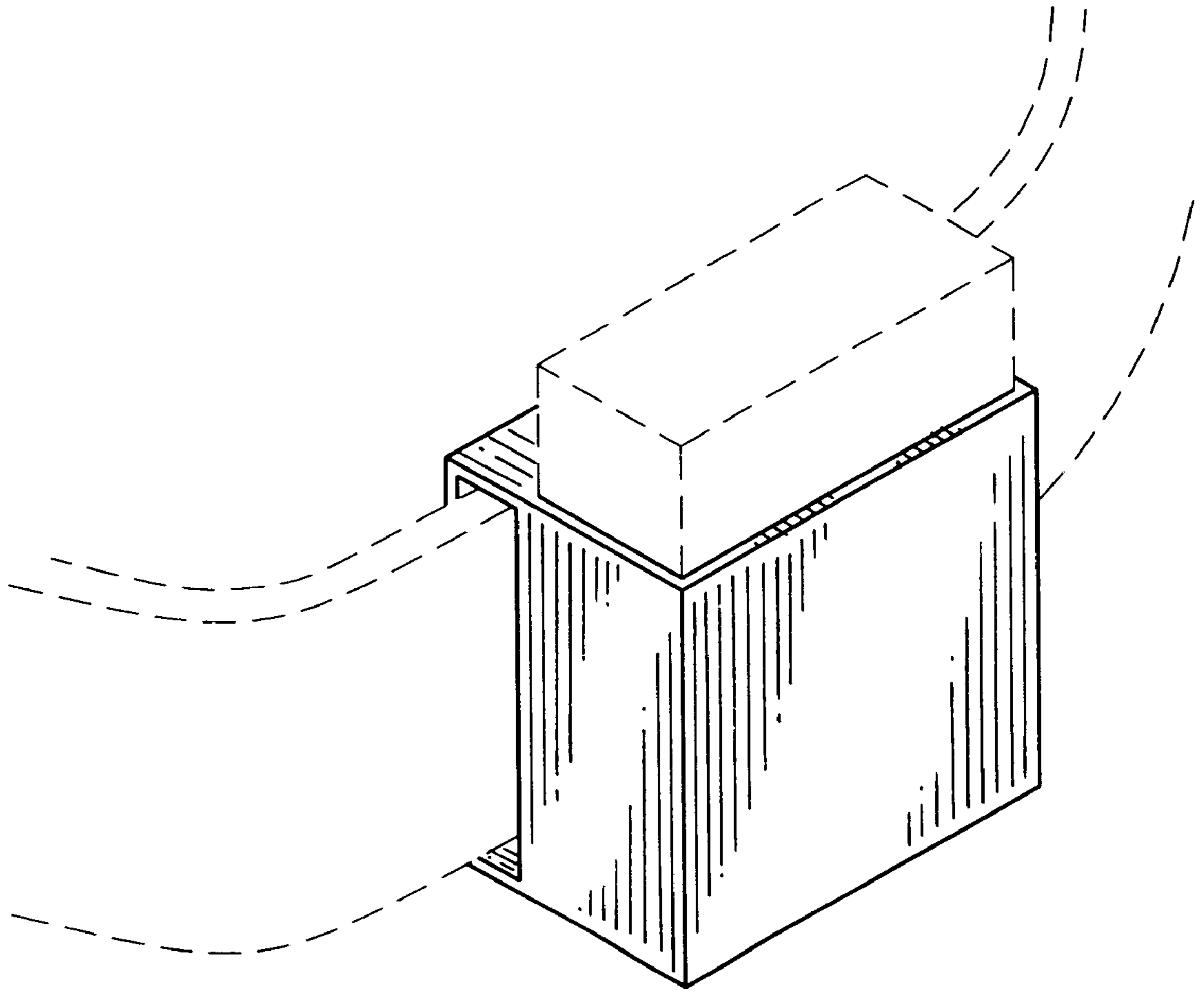


FIG. 1

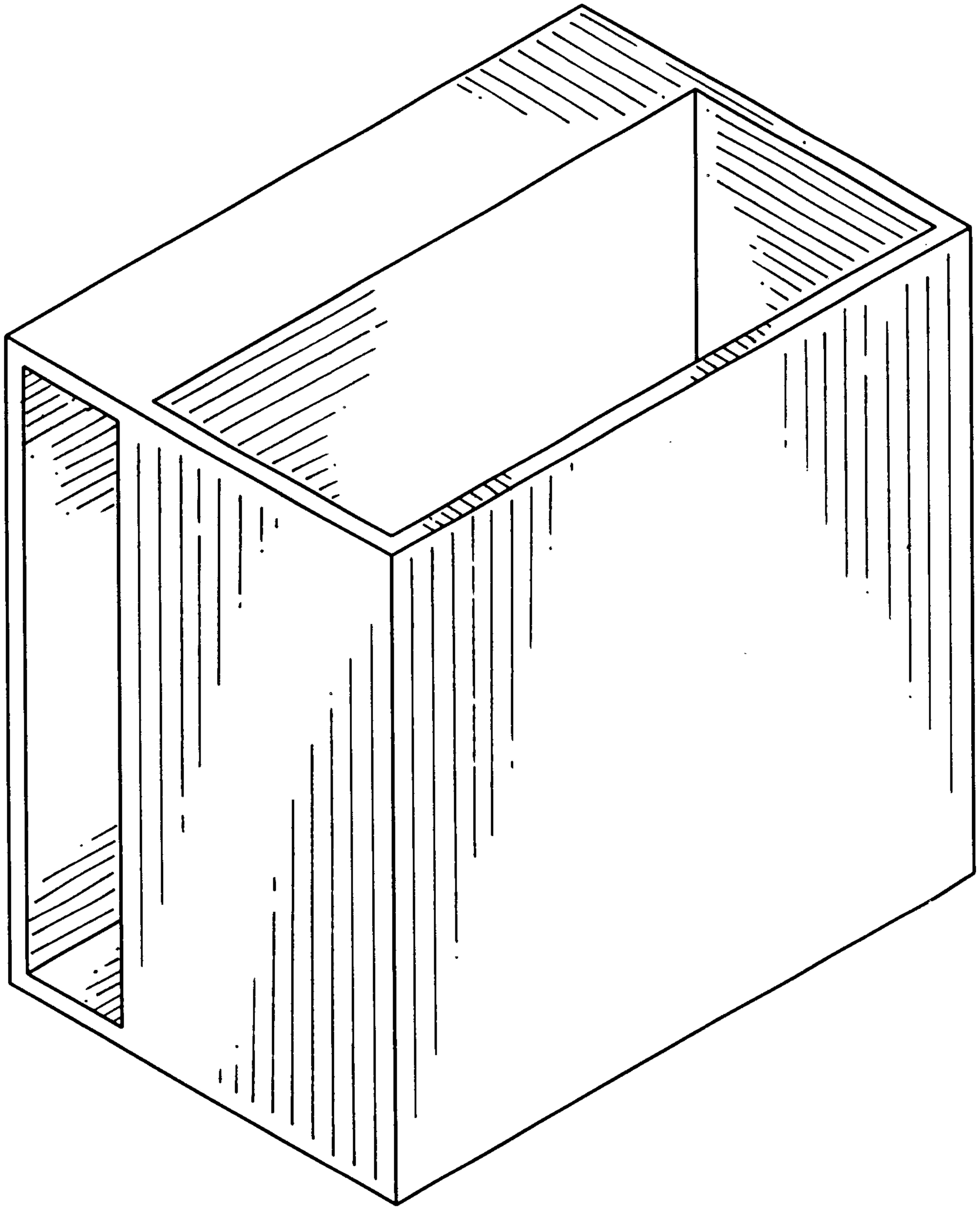


FIG. 2

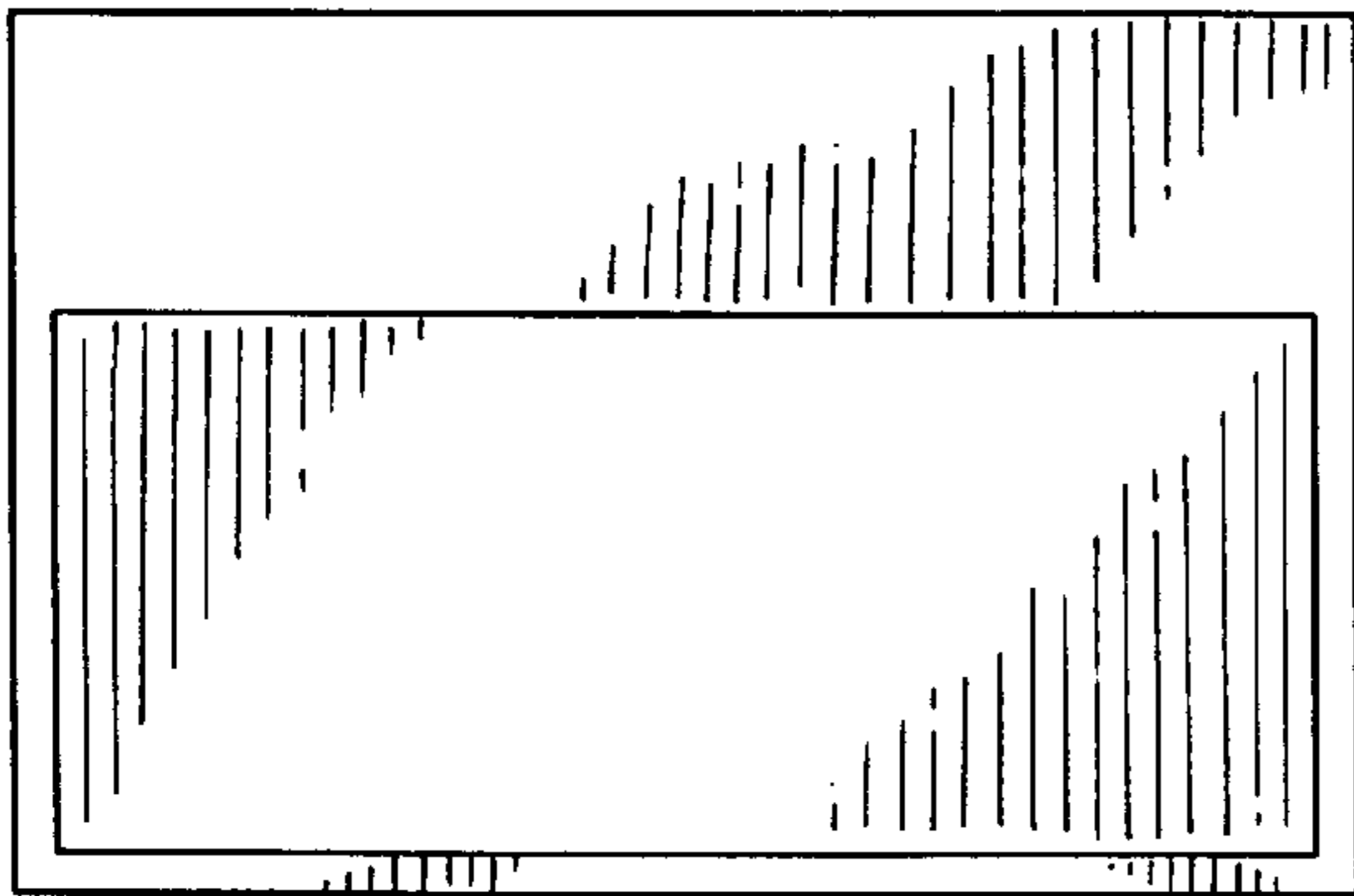


FIG. 3

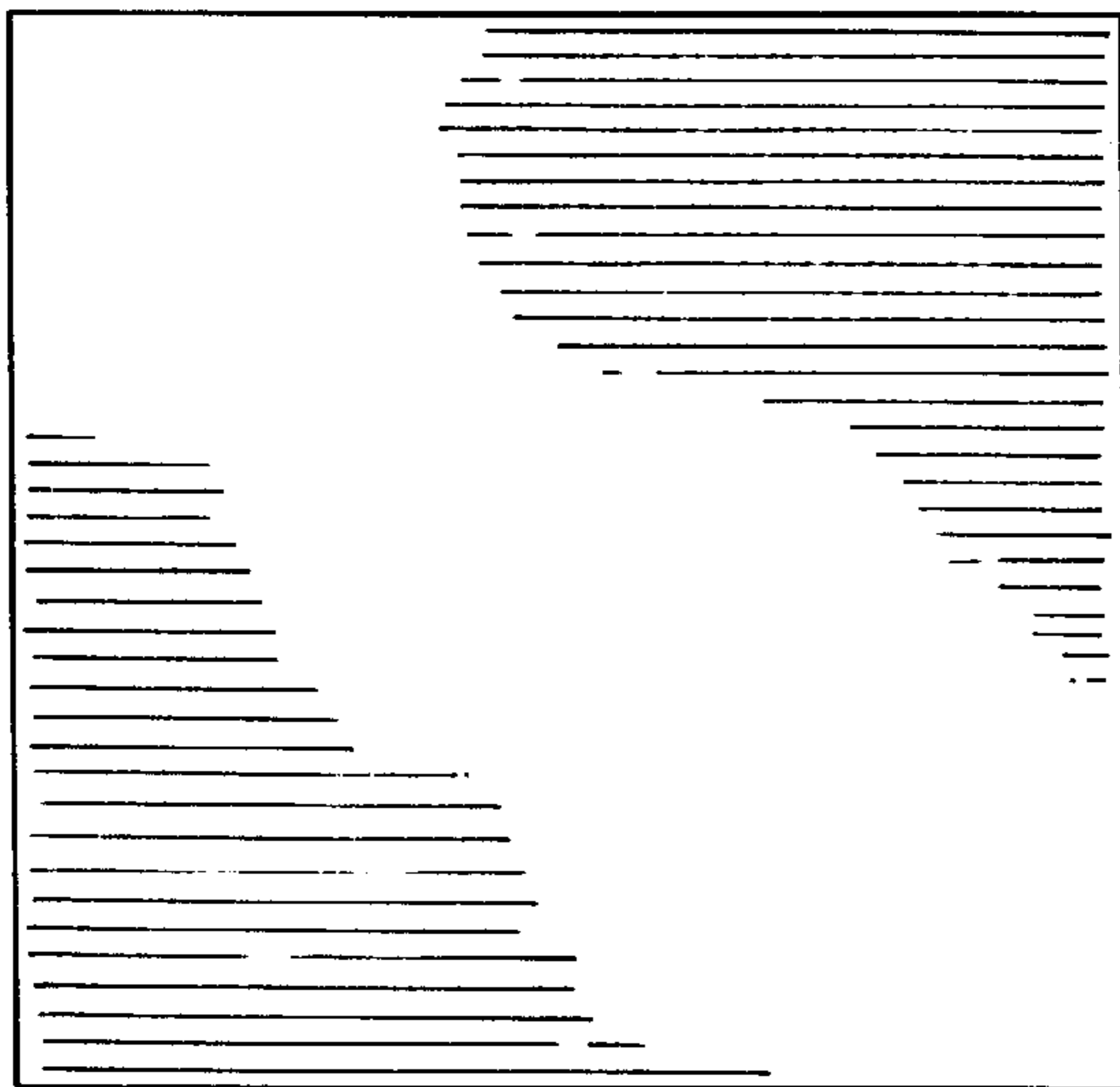


FIG. 4

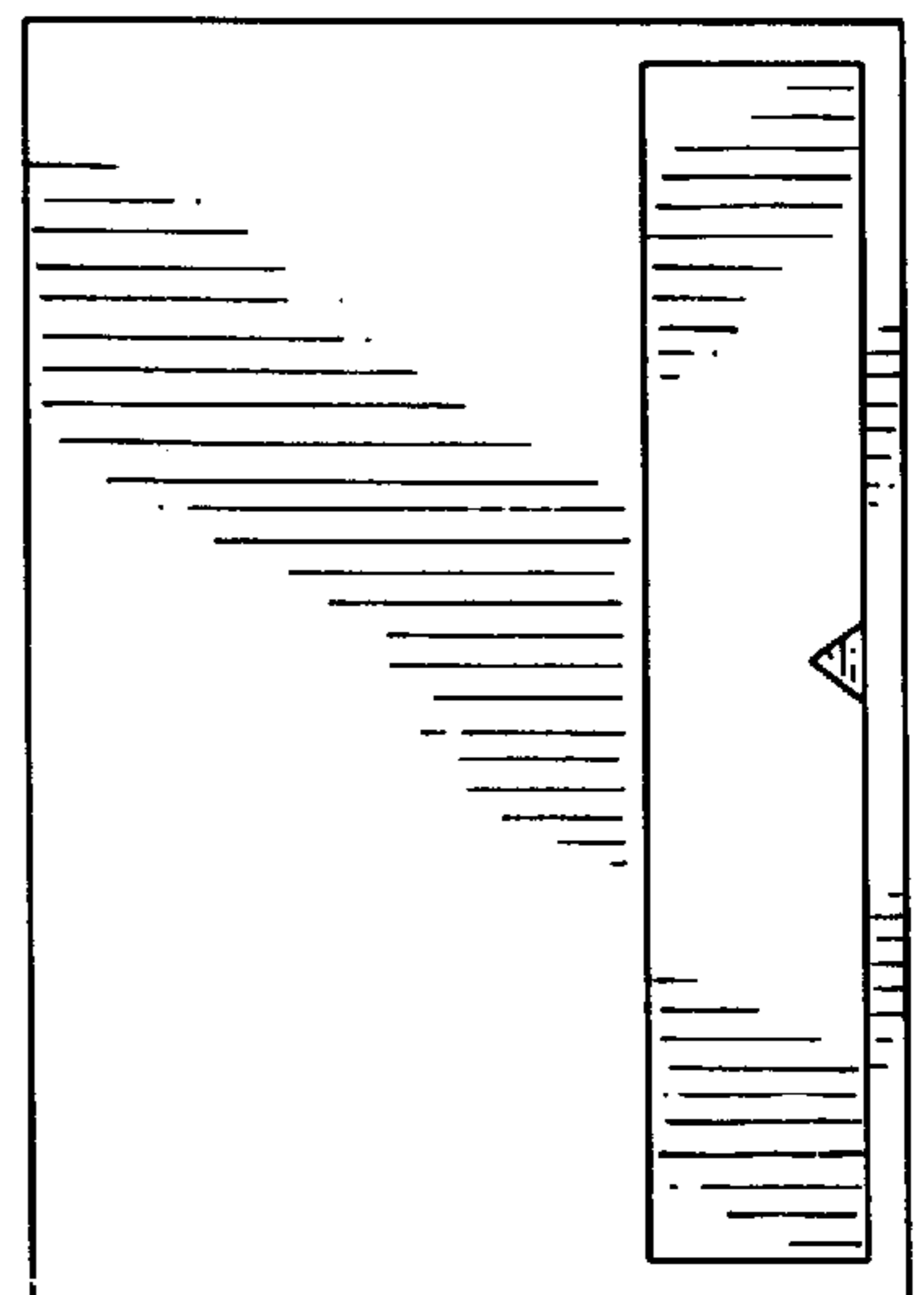


FIG. 5

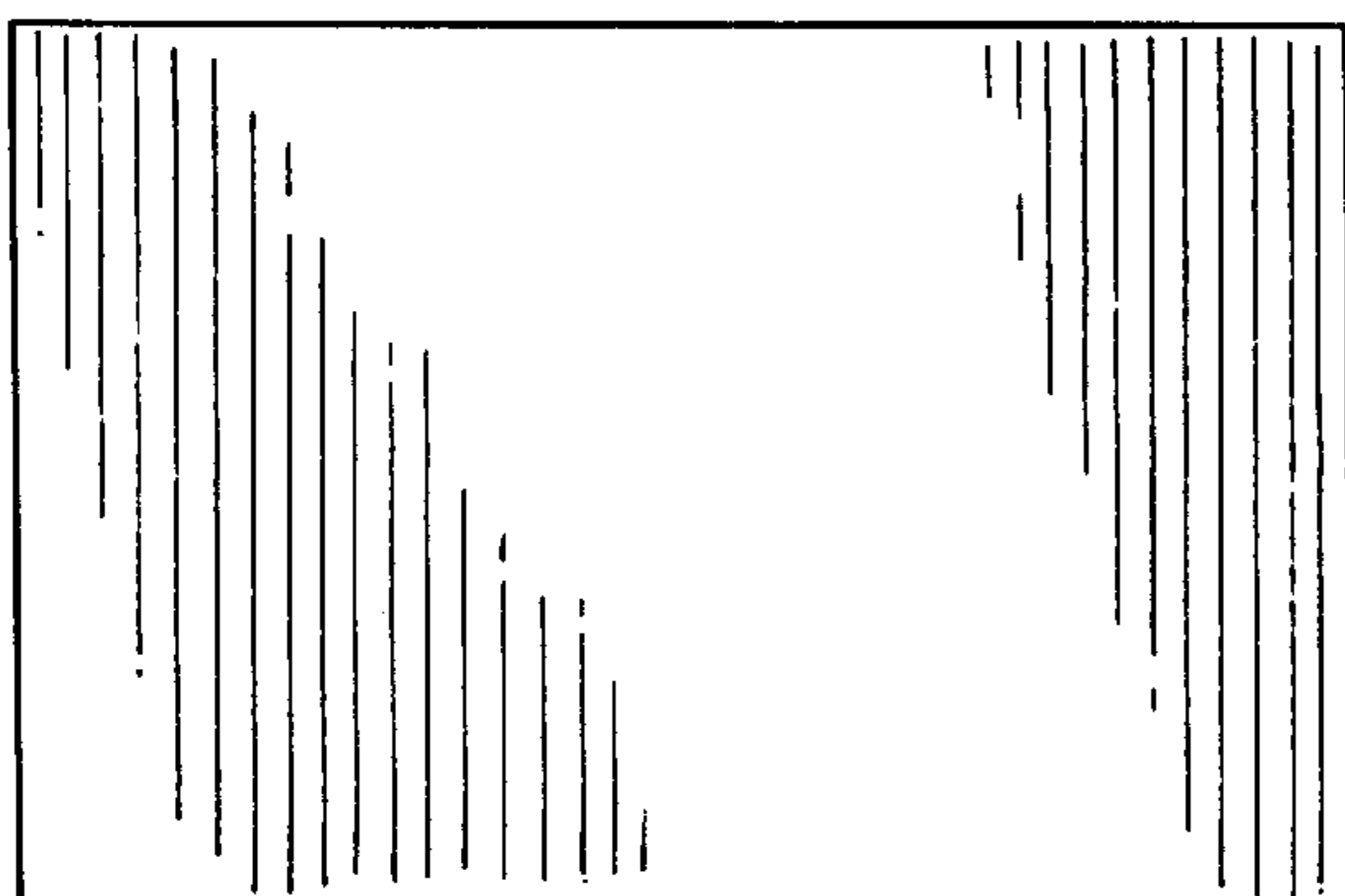


FIG. 6