



US00D449915B1

(12) **United States Design Patent**
Chang

(10) **Patent No.:** **US D449,915 S**

(45) **Date of Patent:** **** Oct. 30, 2001**

- (54) **JACK**
- (76) Inventor: **Lee-Cheng Chang**, 9F-2, No. 31, Lane 238, Si Ping Road, Taichung (TW)
- (**) Term: **14 Years**
- (21) Appl. No.: **29/135,703**
- (22) Filed: **Jan. 16, 2001**
- (51) **LOC (7) Cl.** **12-05**
- (52) **U.S. Cl.** **D34/31**
- (58) **Field of Search** D34/28, 31, 37; 254/8 B, 93 H, 84.11, 2 B, DIG. 3

- 4,241,900 * 12/1980 Okuda 254/8 B
- 5,431,369 * 7/1995 Hung 254/8 B
- 5,947,447 * 9/1999 Sorensen 254/8 B
- 5,984,270 * 11/1999 Hussaini et al. 254/8 B

* cited by examiner

Primary Examiner—Cynthia E. Ramirez
(74) *Attorney, Agent, or Firm*—Alan Kamrath; Rider, Bennett, Egan & Arundel, LLP

(57) **CLAIM**

The ornamental design for jack, as shown and described.

DESCRIPTION

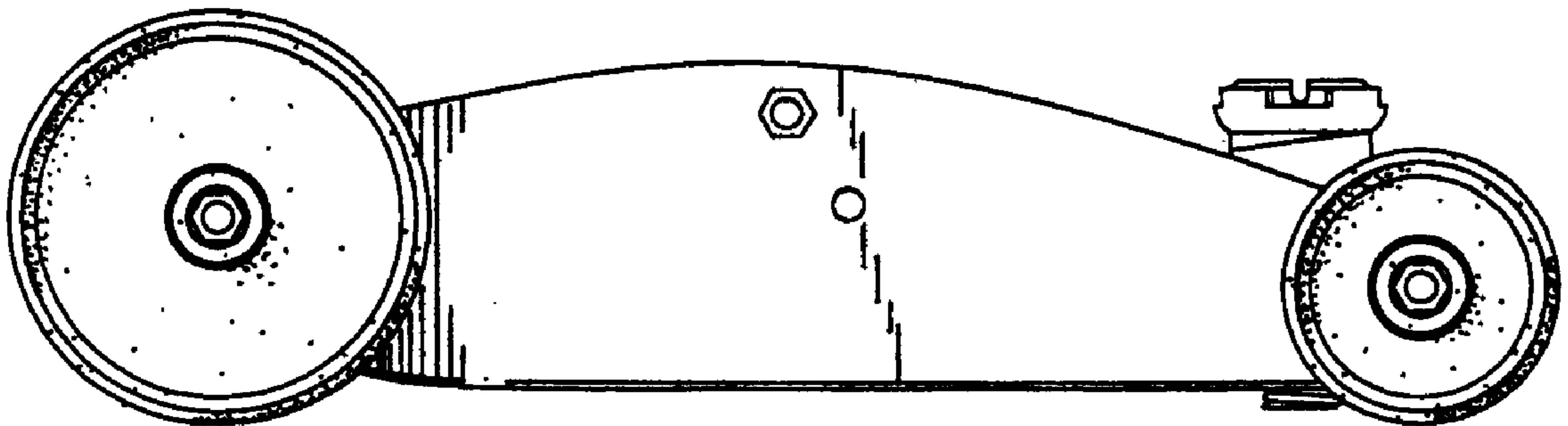
FIG. 1 is a perspective view of a jack showing my new design;
FIG. 2 is a front elevational view thereof;
FIG. 3 is a rear elevational view thereof;
FIG. 4 is a left elevational view thereof;
FIG. 5 is a right elevational view thereof;
FIG. 6 is a top plan view thereof; and,
FIG. 7 is a bottom plan view thereof.

(56) **References Cited**

U.S. PATENT DOCUMENTS

- D. 285,855 * 9/1986 Persson D34/31
- D. 295,799 * 5/1988 Hung D34/31
- D. 398,730 * 9/1998 Lin D34/31
- D. 416,370 * 11/1999 Hung D34/31
- D. 421,516 * 3/2000 Hung D34/31
- D. 423,750 * 4/2000 Hung D34/31
- 4,018,421 * 4/1977 Tallman 254/8 B

1 Claim, 2 Drawing Sheets



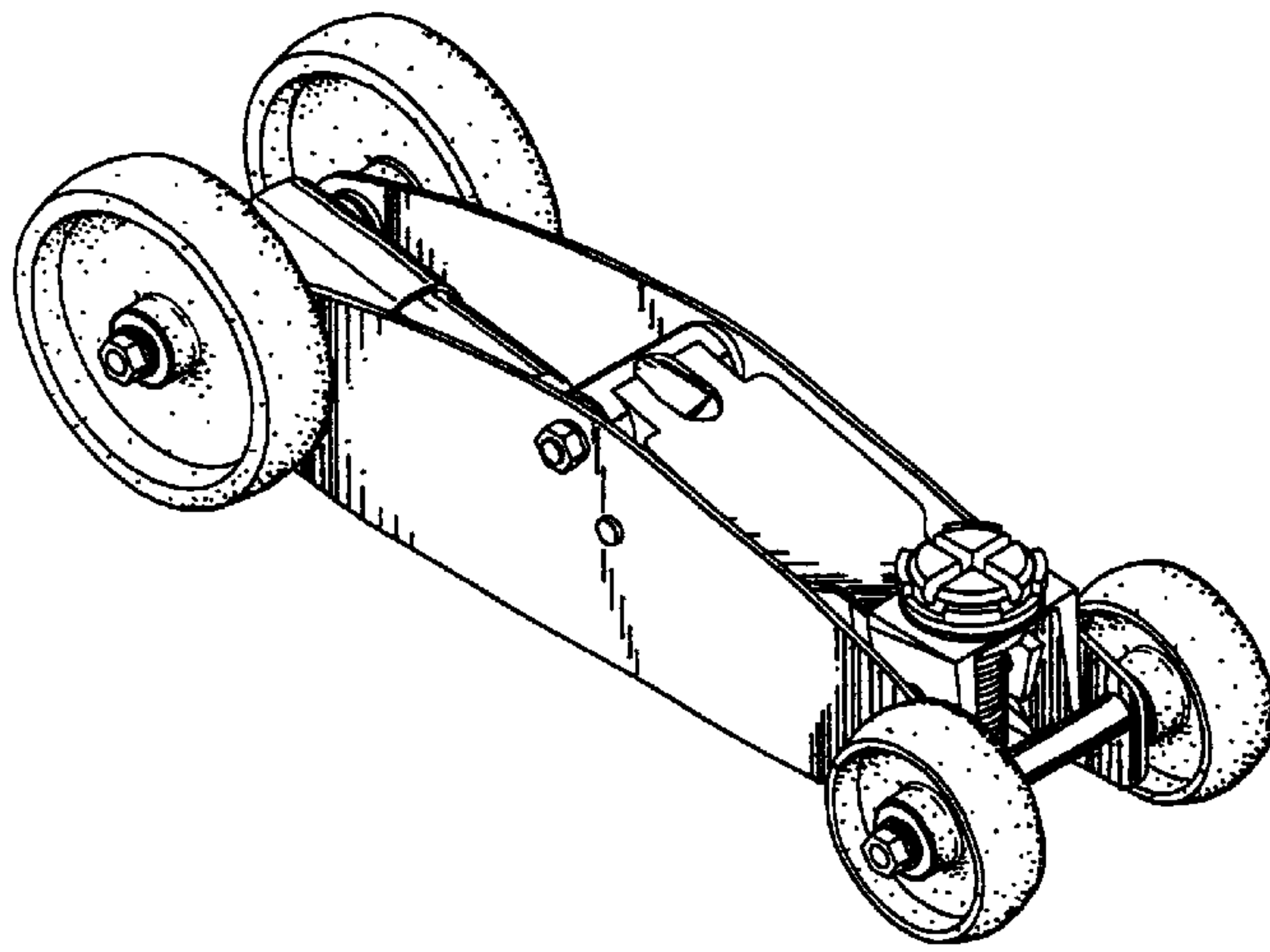


Fig. 1

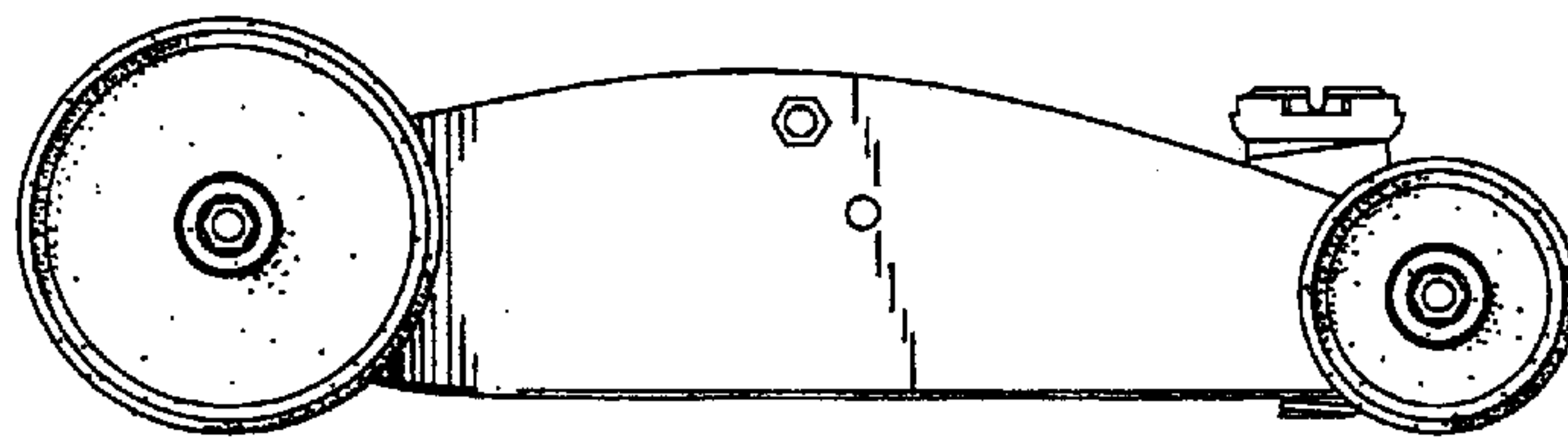


Fig. 2

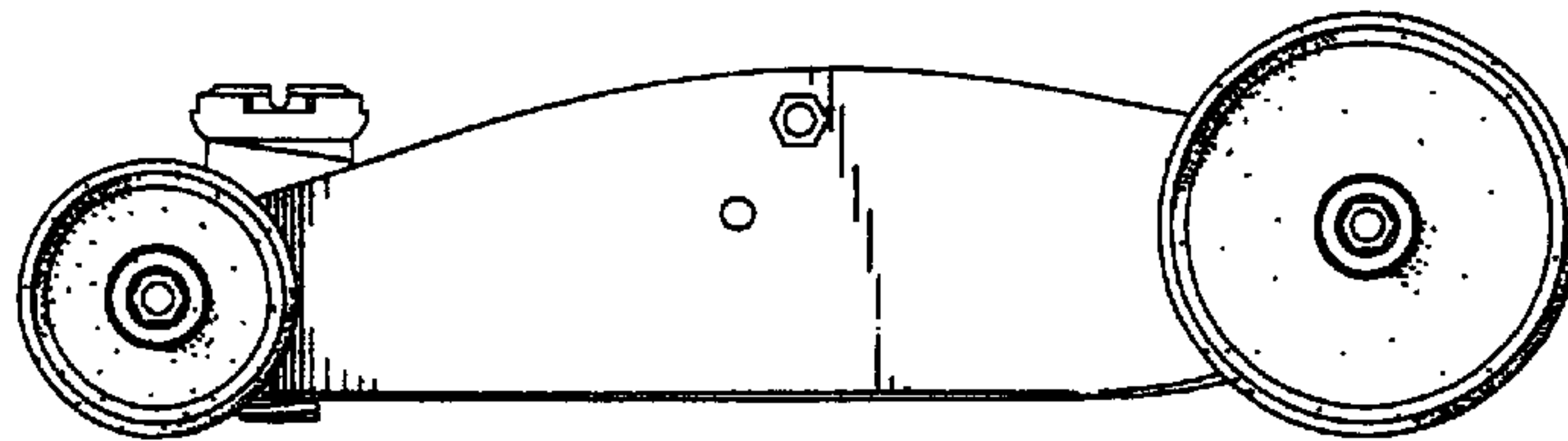


Fig. 3

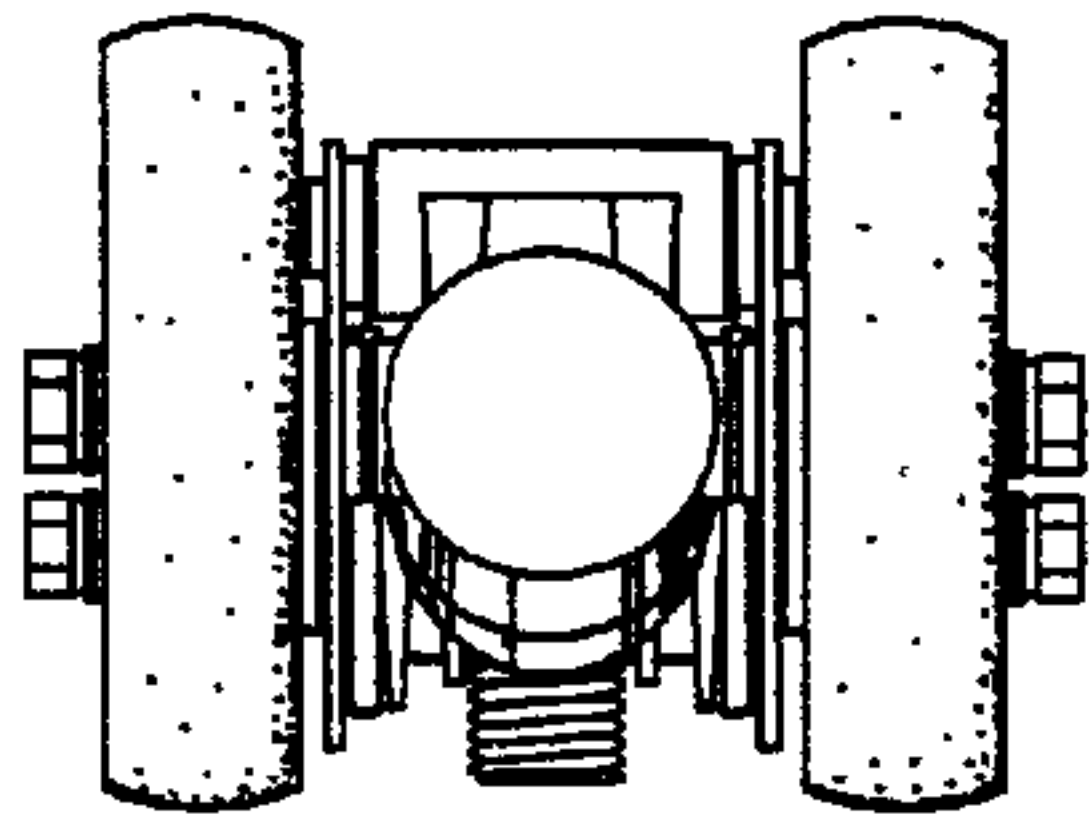


Fig. 4

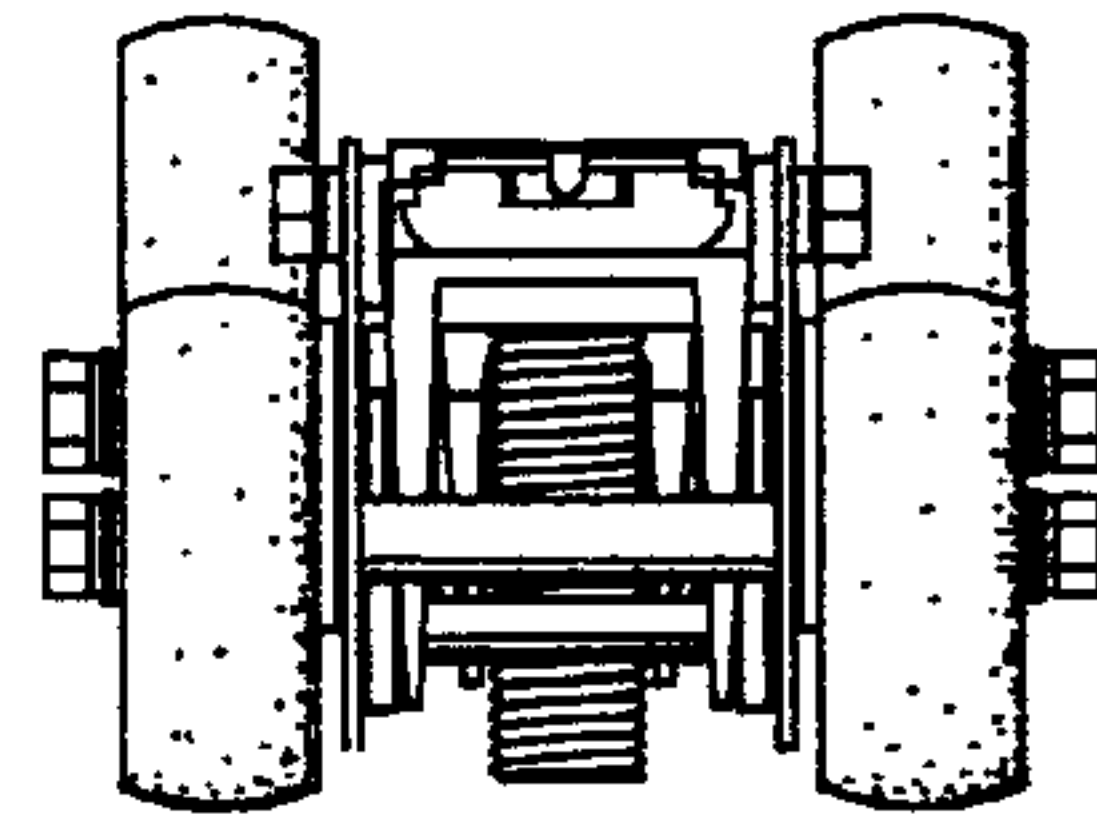


Fig. 5

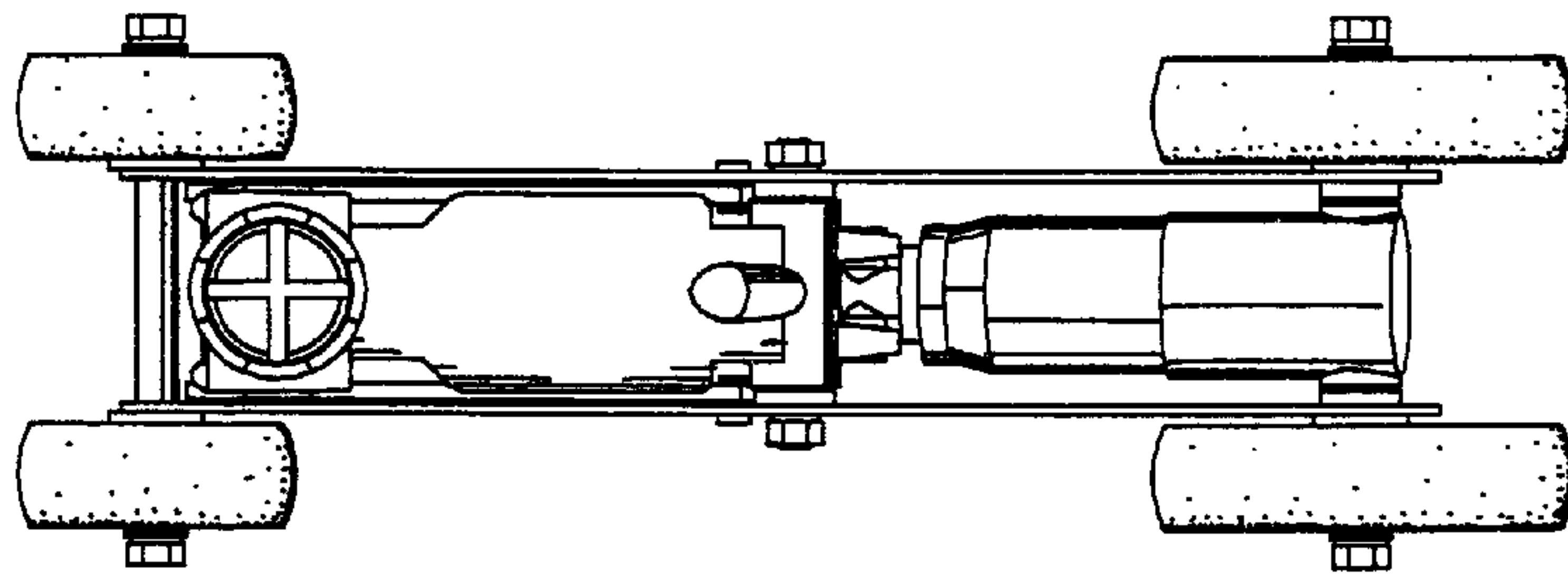


Fig. 6

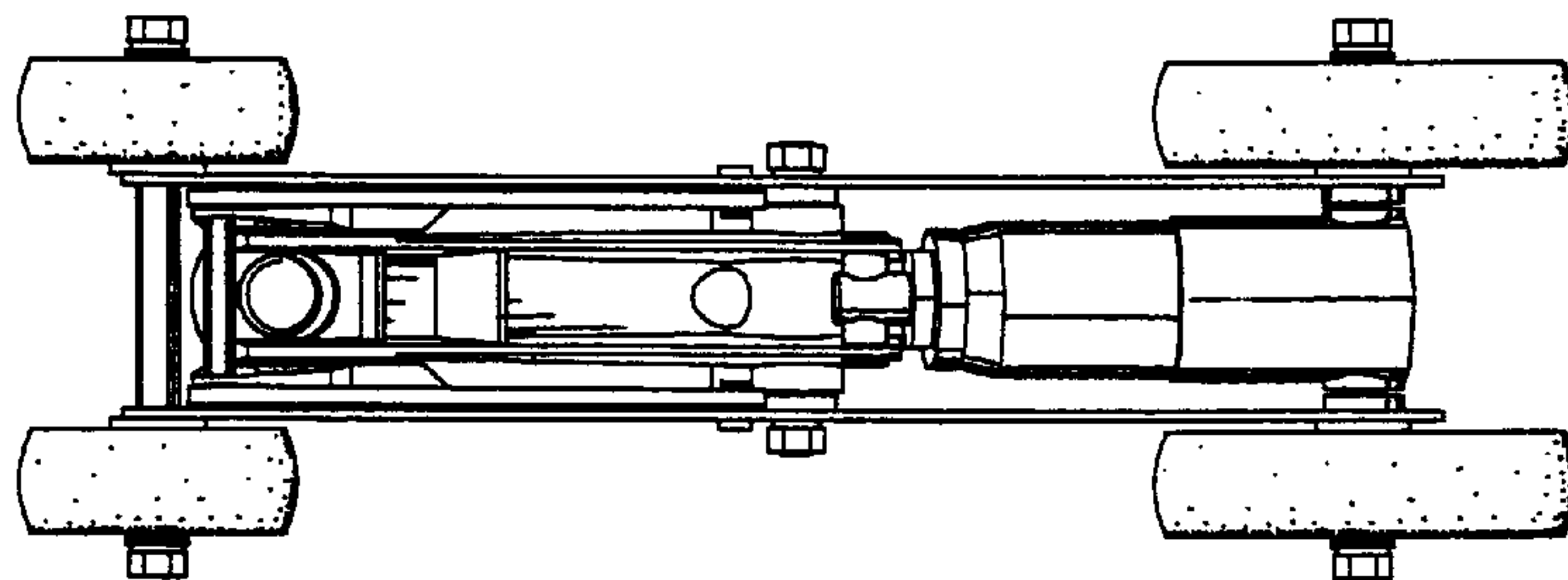


Fig. 7