



US00D449914B1

(12) **United States Design Patent**
Spear et al.

(10) **Patent No.:** **US D449,914 S**

(45) **Date of Patent:** **** Oct. 30, 2001**

(54) **HOSE REEL**

(75) Inventors: **Kenneth J. Spear**, Vienna, WV (US);
Steven F. Brooker, Marietta, OH (US)

(73) Assignee: **Ames True Temper, Inc.**, Parkersburg,
WV (US)

(**) Term: **14 Years**

(21) Appl. No.: **29/123,045**

(22) Filed: **May 10, 2000**

(51) **LOC (7) Cl.** **12-05**

(52) **U.S. Cl.** **D34/26**

(58) **Field of Search** D34/1, 24, 26;
37/355.27; 242/397.4, 403.1; D8/358-359

(56) **References Cited**

U.S. PATENT DOCUMENTS

D. 392,080 * 3/1998 Tisbo et al. D34/26

D. 393,510 * 4/1998 Creske D34/1

D. 418,270 * 12/1999 Tisbo et al. D34/24
4,777,976 * 10/1988 Johnston et al. 37/355.27

* cited by examiner

Primary Examiner—Holly Baynham

(74) *Attorney, Agent, or Firm*—Pillsbury Winthrop LLP

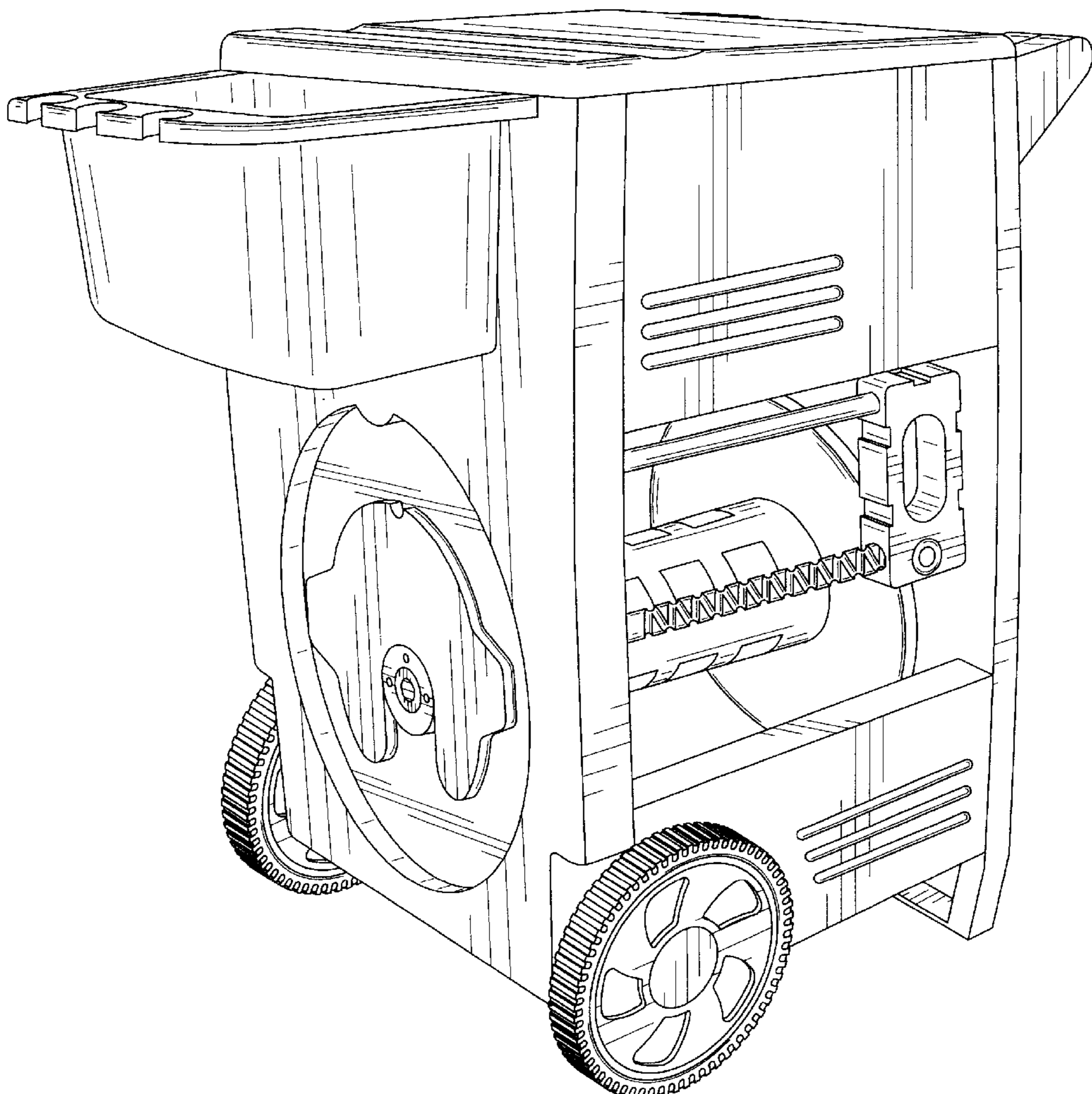
(57) **CLAIM**

The ornamental design for a hose reel, as shown and described.

DESCRIPTION

FIG. 1 a perspective view of the hose reel of our invention;
FIG. 2 is an elevational view on one side;
FIG. 3 is an elevational view of the rear side;
FIG. 4 is a side view of the opposite side as that shown in
FIG. 2;
FIG. 5 is an elevational view of the front side;
FIG. 6 is a plan view of the bottom; and,
FIG. 7 is a plan view of the top of the hose reel.

1 Claim, 7 Drawing Sheets



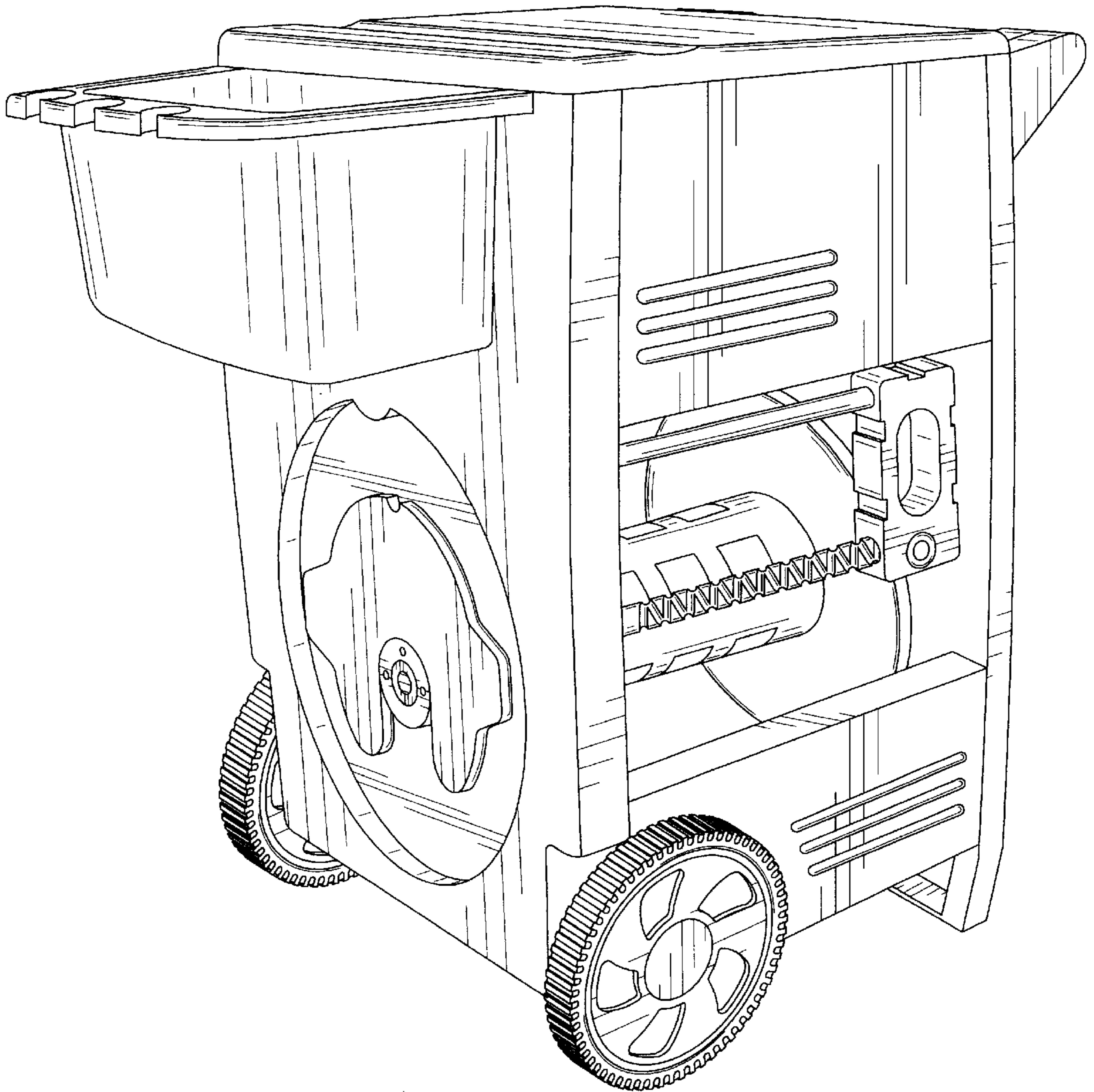


FIG. 1

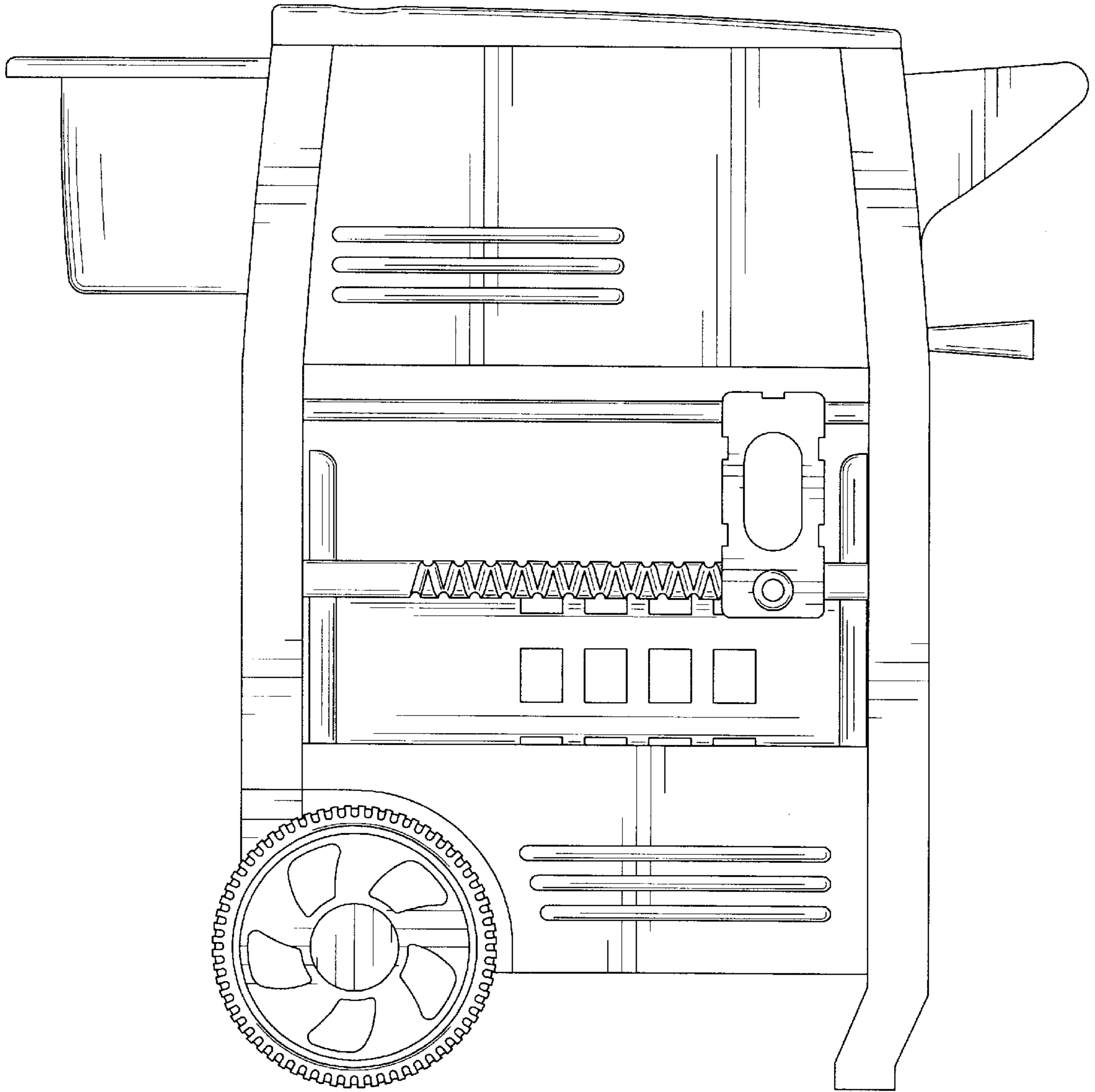


FIG. 2

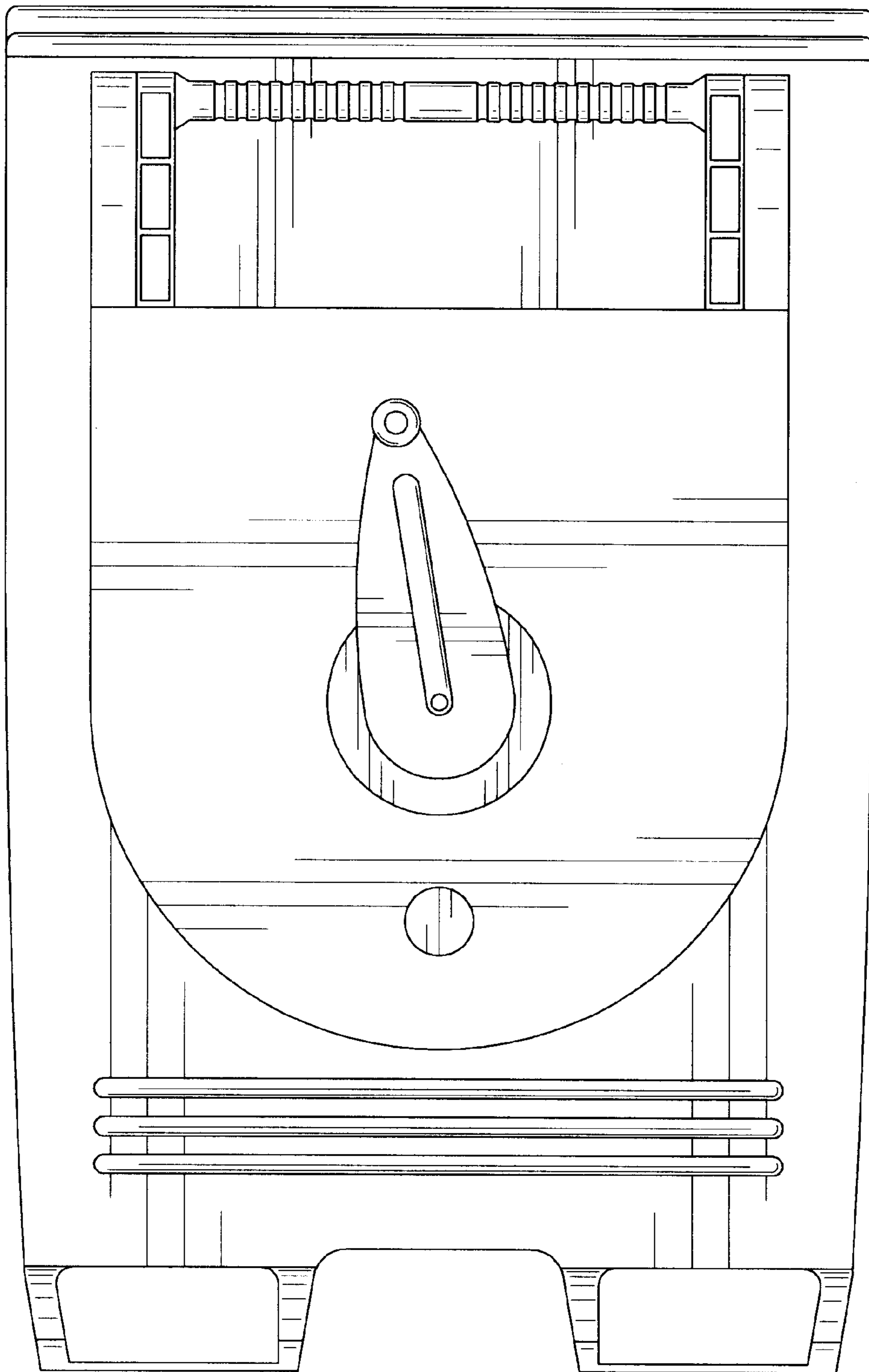


FIG. 3

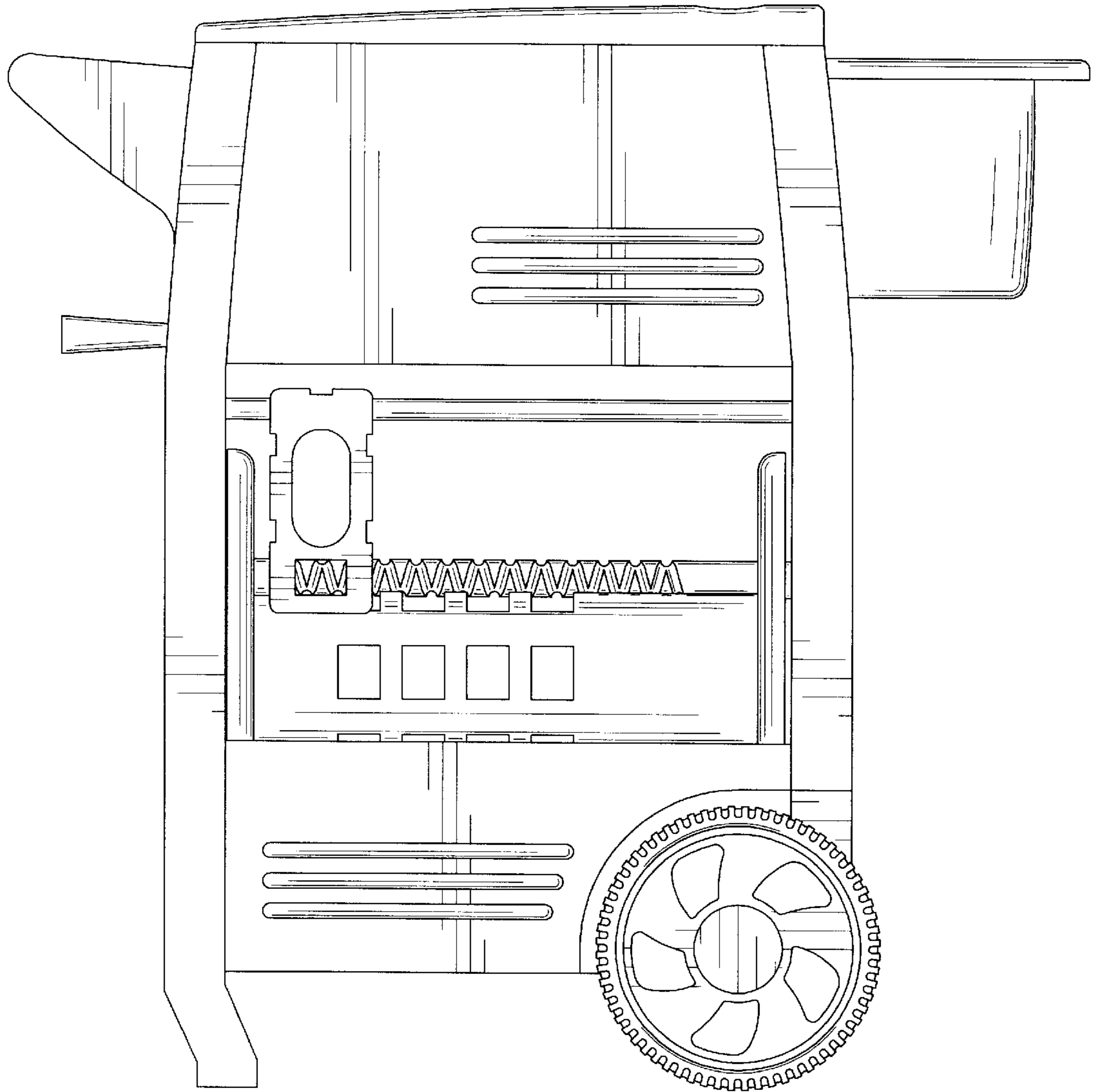


FIG. 4

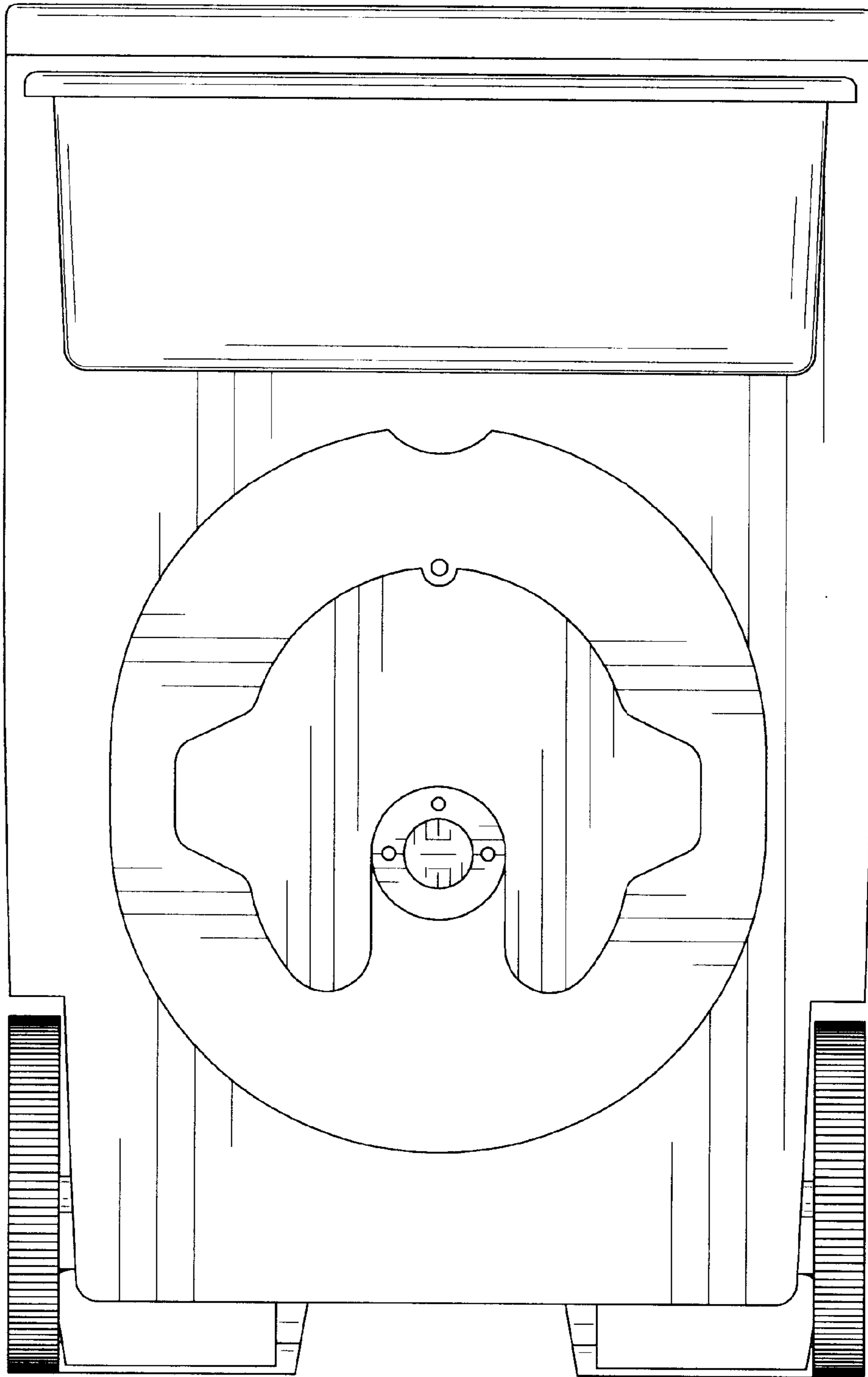


FIG. 5

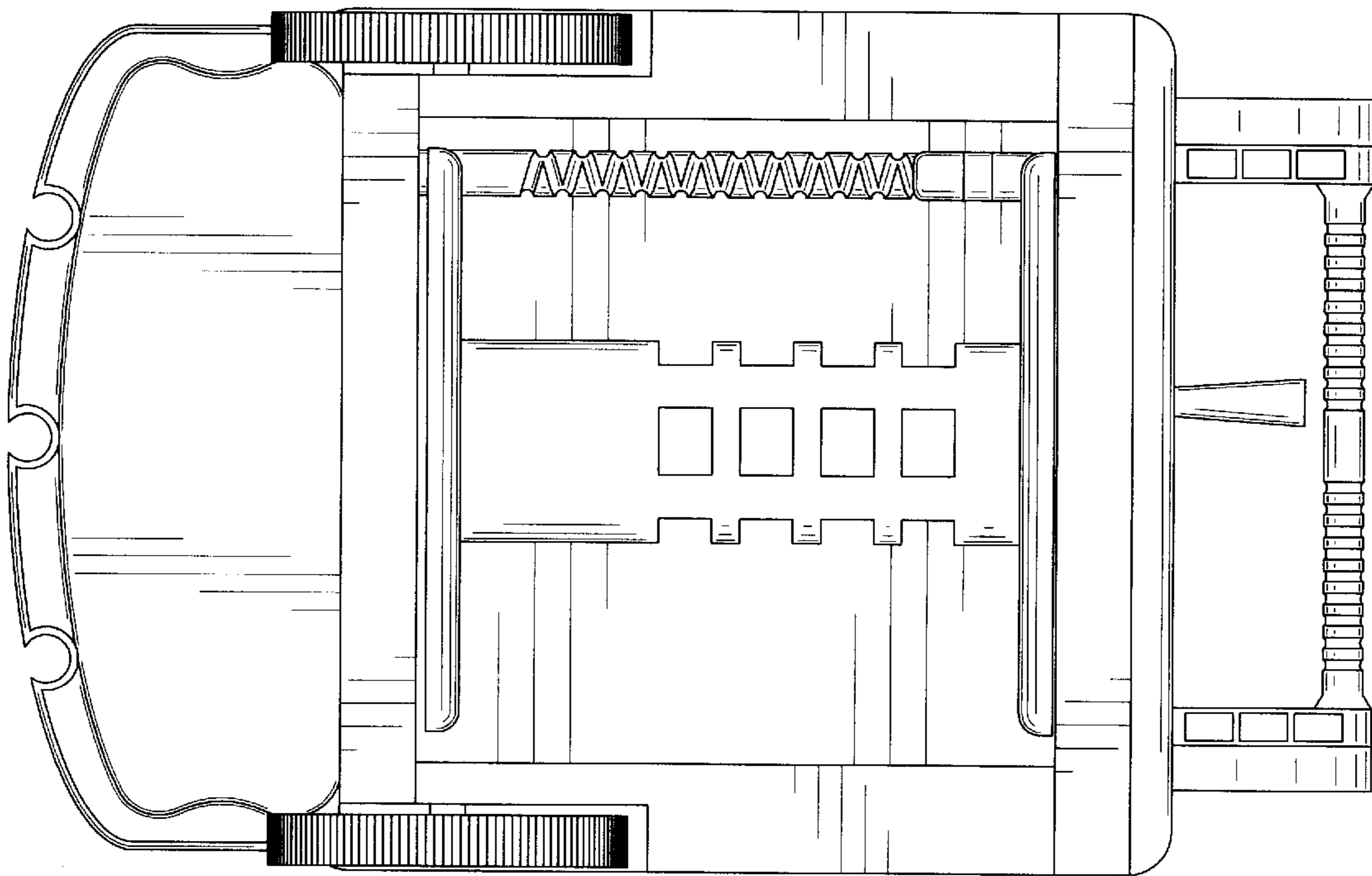


FIG. 6

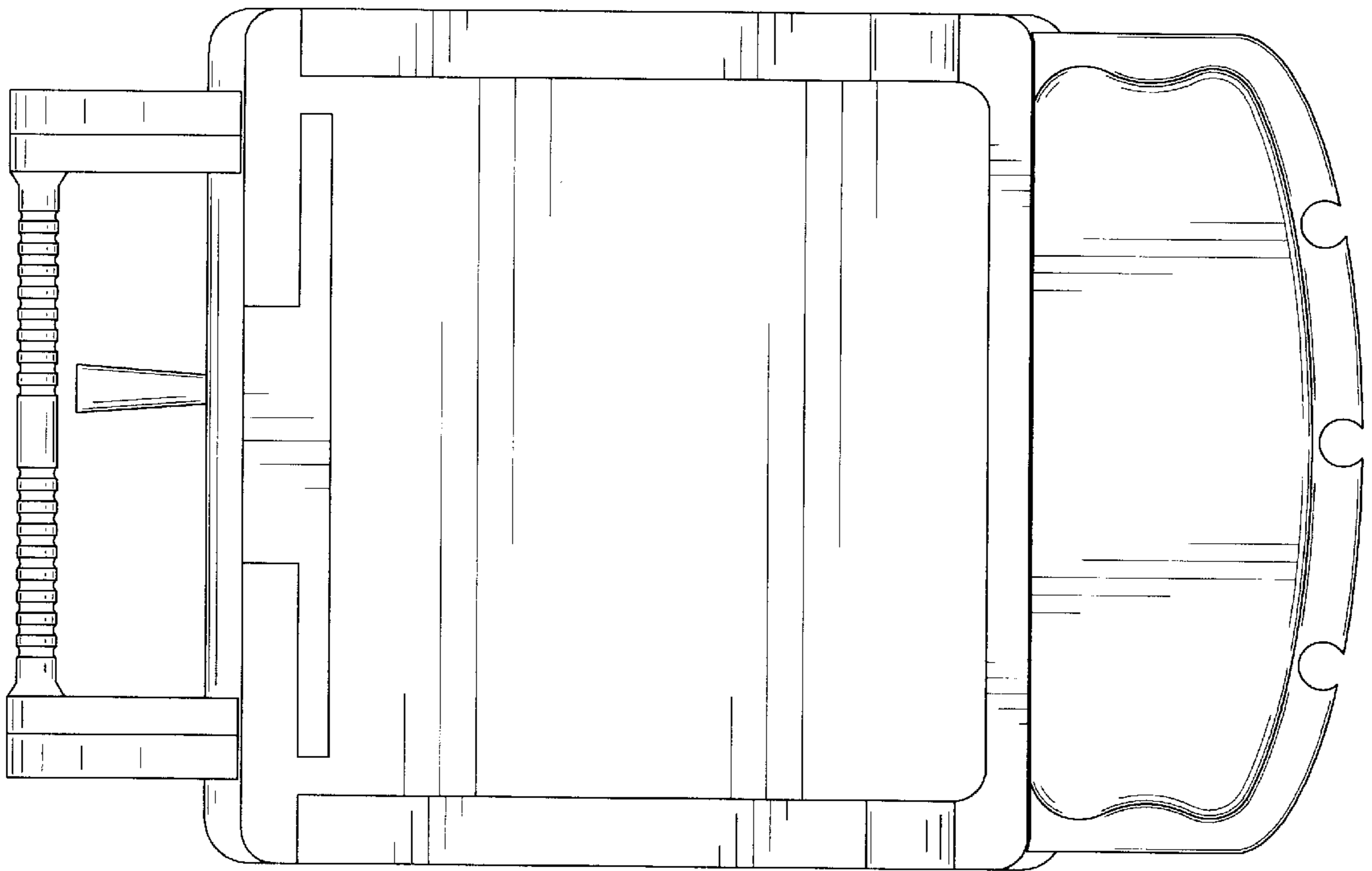


FIG. 7