



US00D449913B1

(12) **United States Design Patent**
Walter

(10) **Patent No.:** **US D449,913 S**

(45) **Date of Patent:** **** Oct. 30, 2001**

(54) **SHOPPING CART**

(76) **Inventor:** **Ivor Michel Walter**, 5882 Orchard
Creek La., Boulder, CO (US) 80301

(**) **Term:** **14 Years**

(21) **Appl. No.:** **29/134,509**

(22) **Filed:** **Dec. 22, 2000**

(51) **LOC (7) Cl.** **12-02**

(52) **U.S. Cl.** **D34/21; D34/17**

(58) **Field of Search** D34/12-27; 280/47.24,
280/47.19, 47.28, 47.27, 47.29, 652, 47.35,
33.991-33.997

(56) **References Cited**

U.S. PATENT DOCUMENTS

D. 365,904	*	1/1996	Adamson et al.	D34/17
D. 367,348	*	2/1996	Basharat	D34/18
D. 399,625	*	10/1998	Murphy et al.	D34/21
D. 407,882		4/1999	Duchene	D34/12
D. 415,600	*	10/1999	Hsieh et al.	D34/23

OTHER PUBLICATIONS

Unarco Industries, Inc. home page (<http://www.unarco.com>)
History of the Shopping Cart from Unarco Industries, Inc.
web site (<http://www.unarco.com/briefhistory.htm>).

* cited by examiner

Primary Examiner—Kay H. Chin

(74) *Attorney, Agent, or Firm*—Rick Martin; Patent Law
Offices of Rick Martin, P.C.

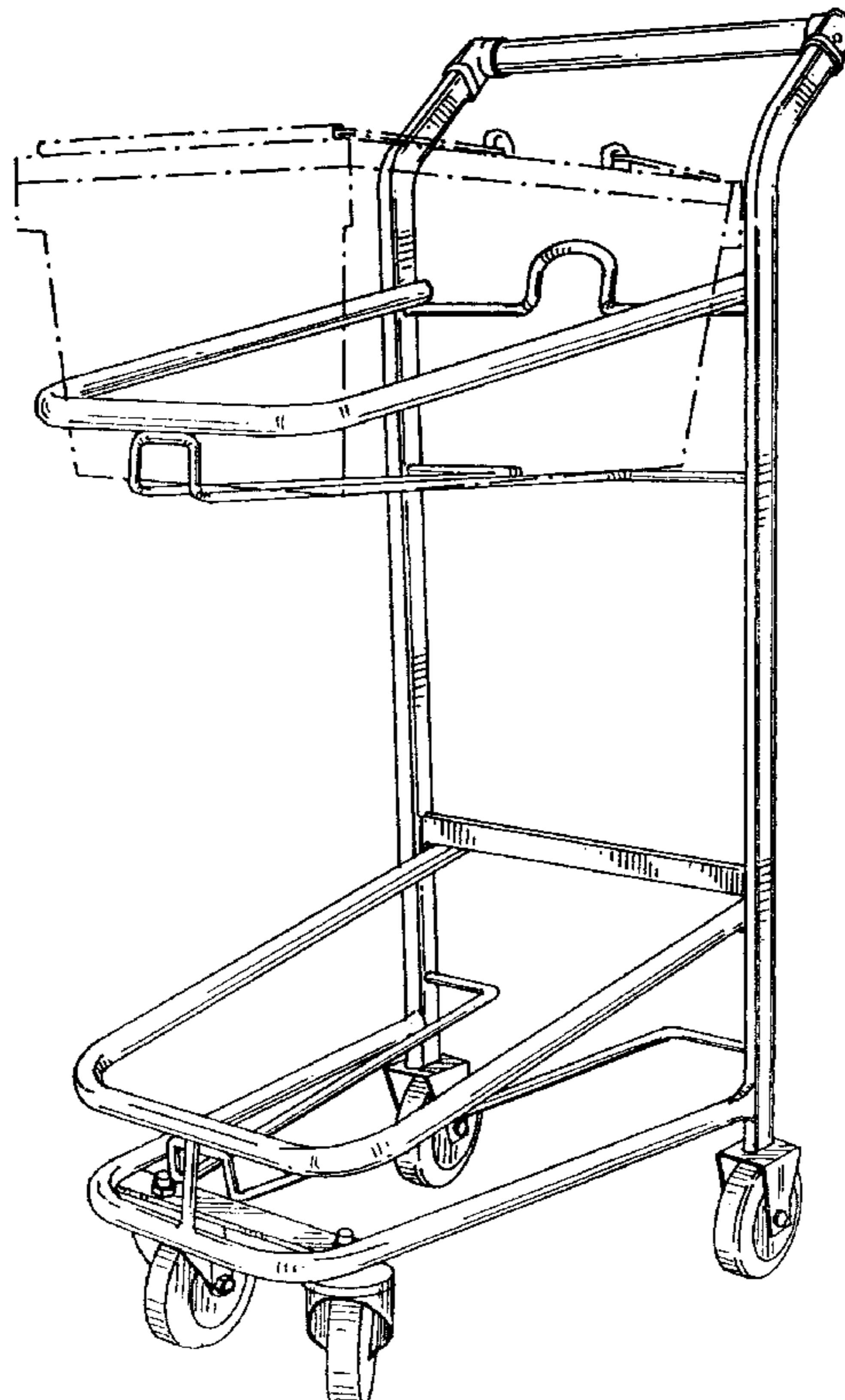
(57) **CLAIM**

The ornamental design for a shopping cart, as shown and
described.

DESCRIPTION

FIG. 1 is a side elevational view of a shopping cart showing
my new design;
FIG. 2 is a top plan view of thereof;
FIG. 3 is a bottom plan view thereof;
FIG. 4 is a front elevational view thereof;
FIG. 5 is a rear elevational view thereof;
FIG. 6 is a front perspective view thereof with the shopping
basket in broken lines;
FIG. 7 is a right side elevational view of a second embodi-
ment of the shopping cart;
FIG. 8 is a top plain view of FIG. 7;
FIG. 9 is a bottom plan view of FIG. 7;
FIG. 10 is a front elevational view of FIG. 7;
FIG. 11 is a rear elevational view of FIG. 7; and,
FIG. 12 is a front perspective view of FIG. 7 with the
shopping basket in broken lines.
The broken lines of shopping a basket shown in FIGS. 6 and
12 is for illustrative purposes only and form no part of the
claimed design.

1 Claim, 4 Drawing Sheets



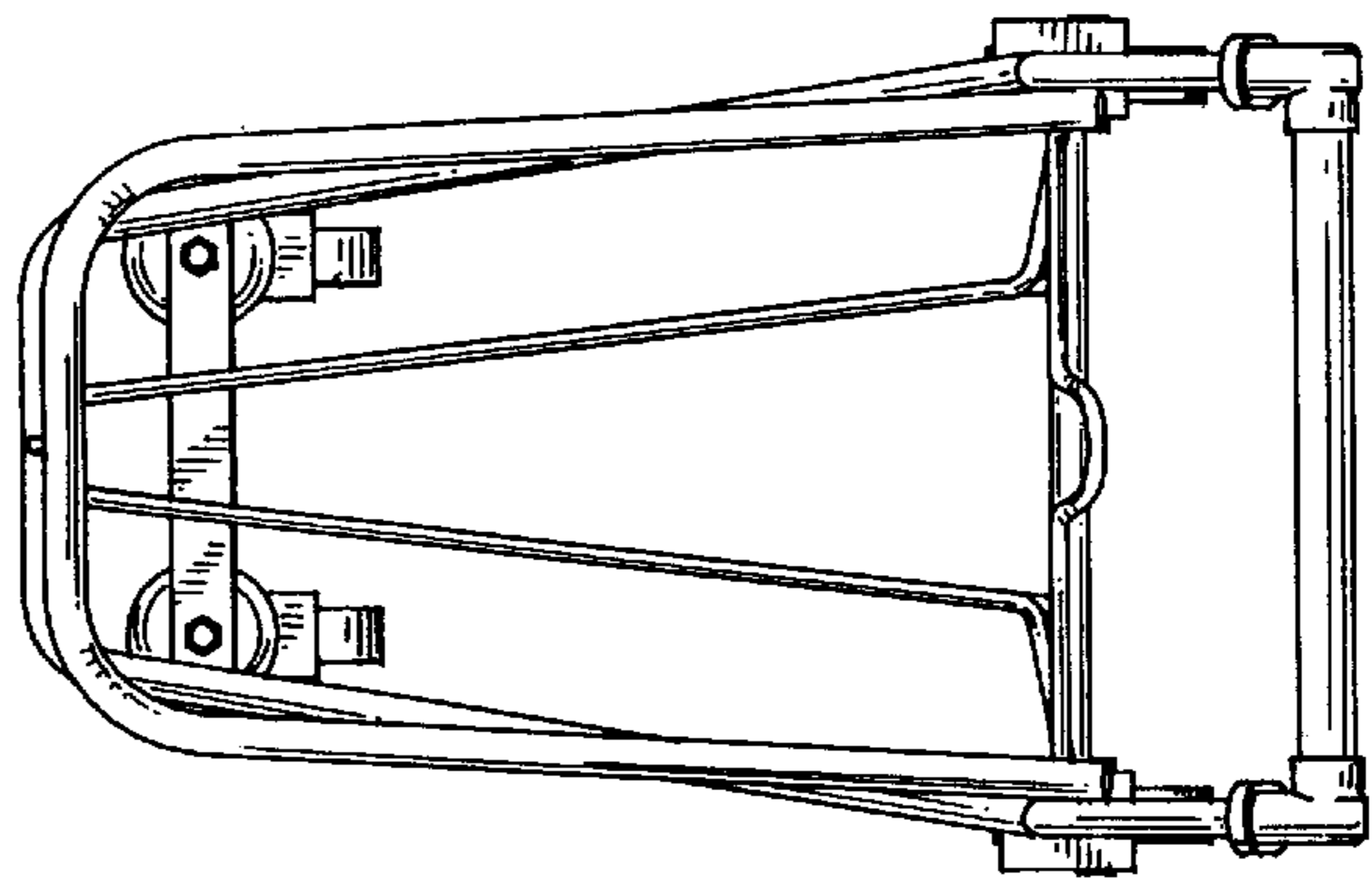


FIG. 2

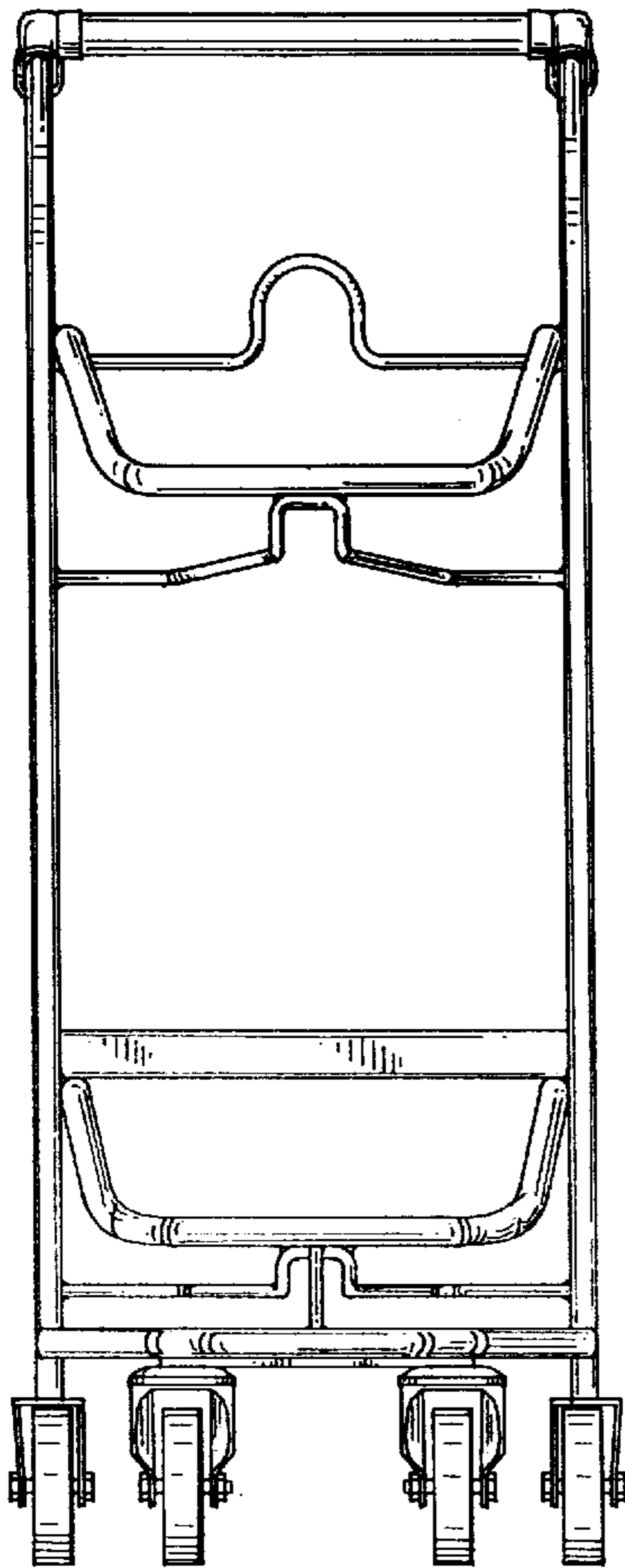


FIG. 4

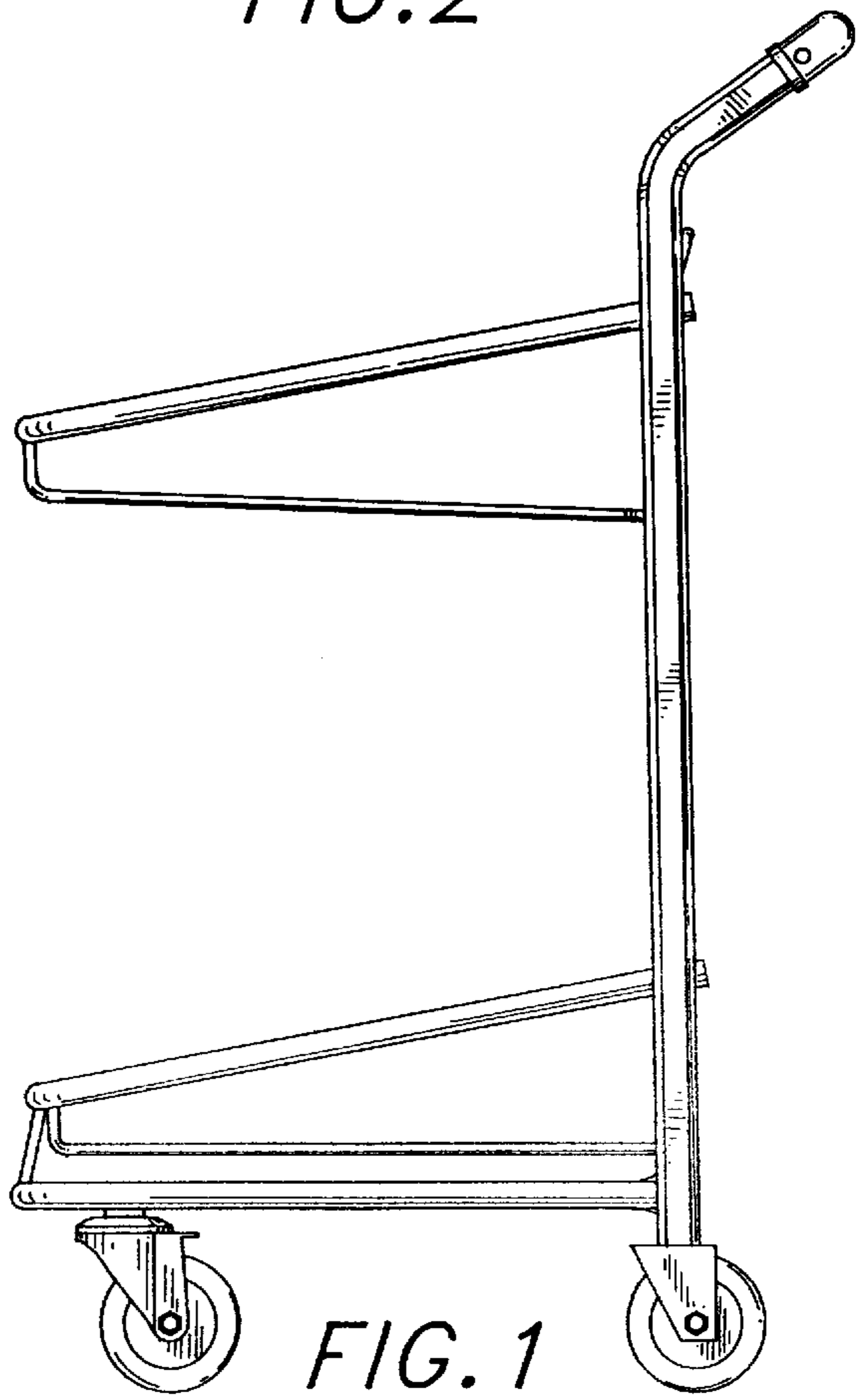


FIG. 1

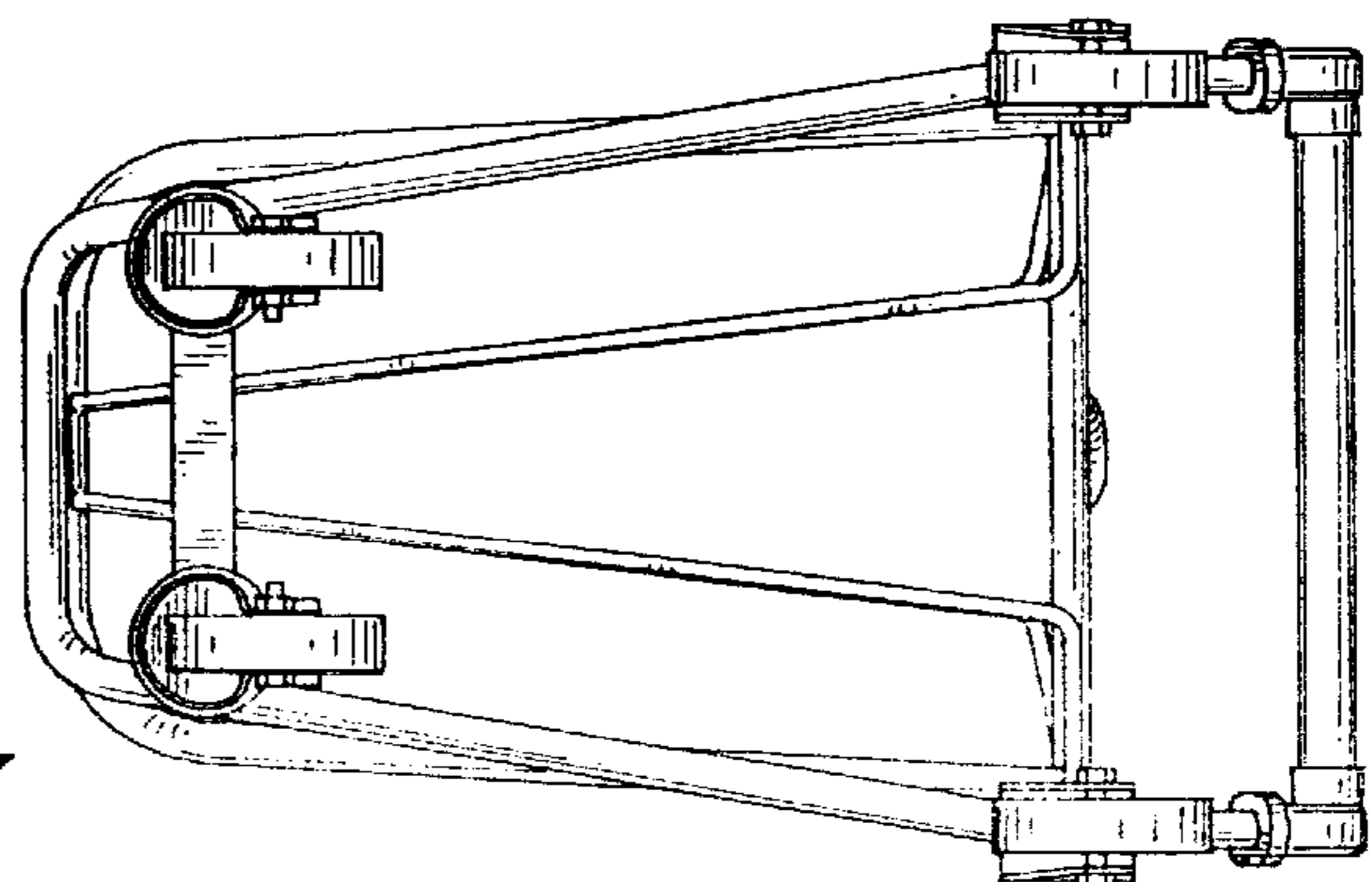


FIG. 3

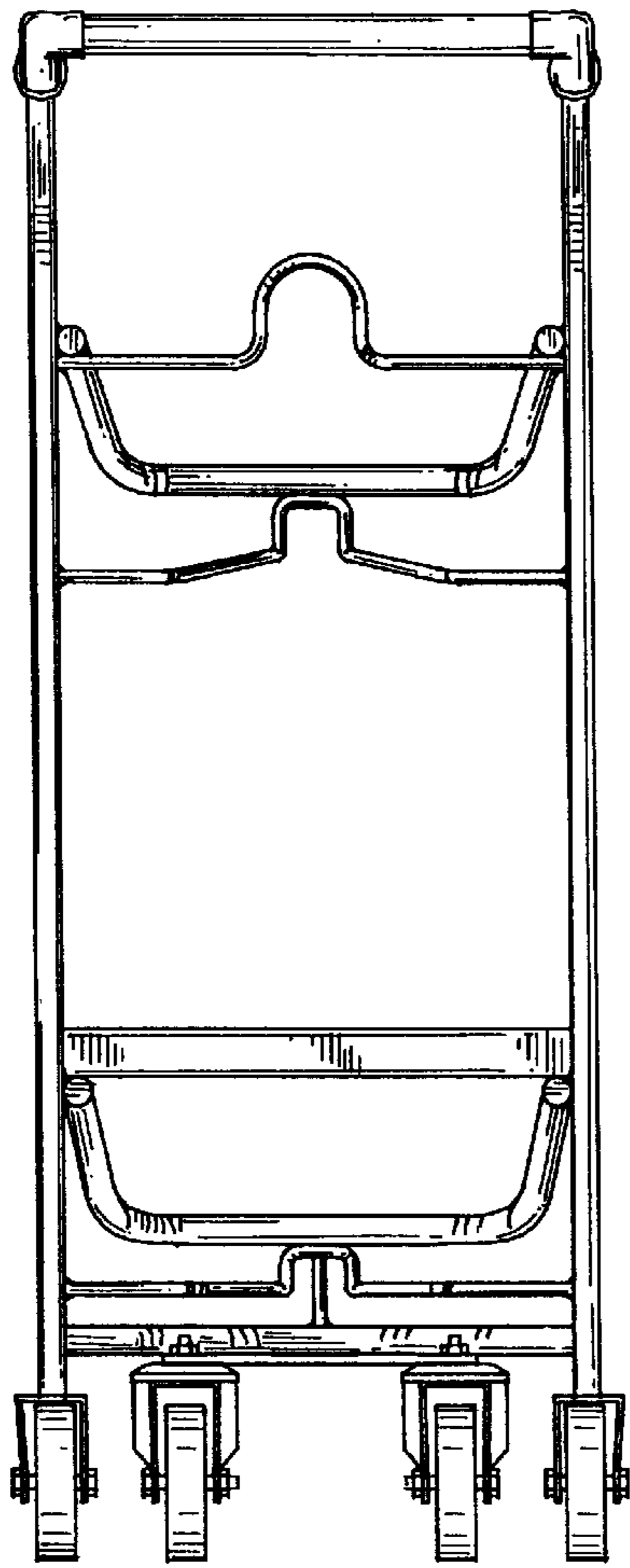


FIG. 5

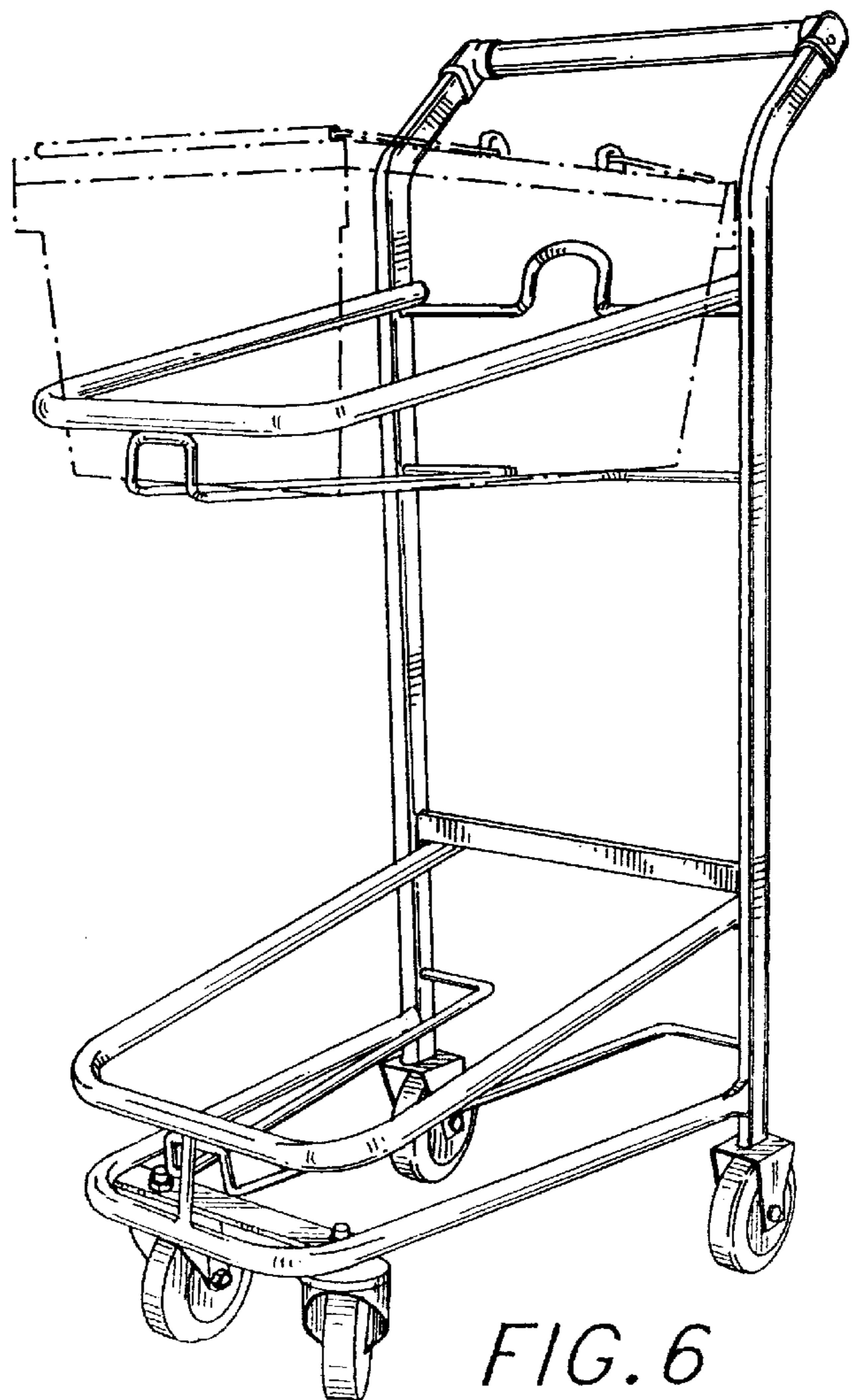


FIG. 6

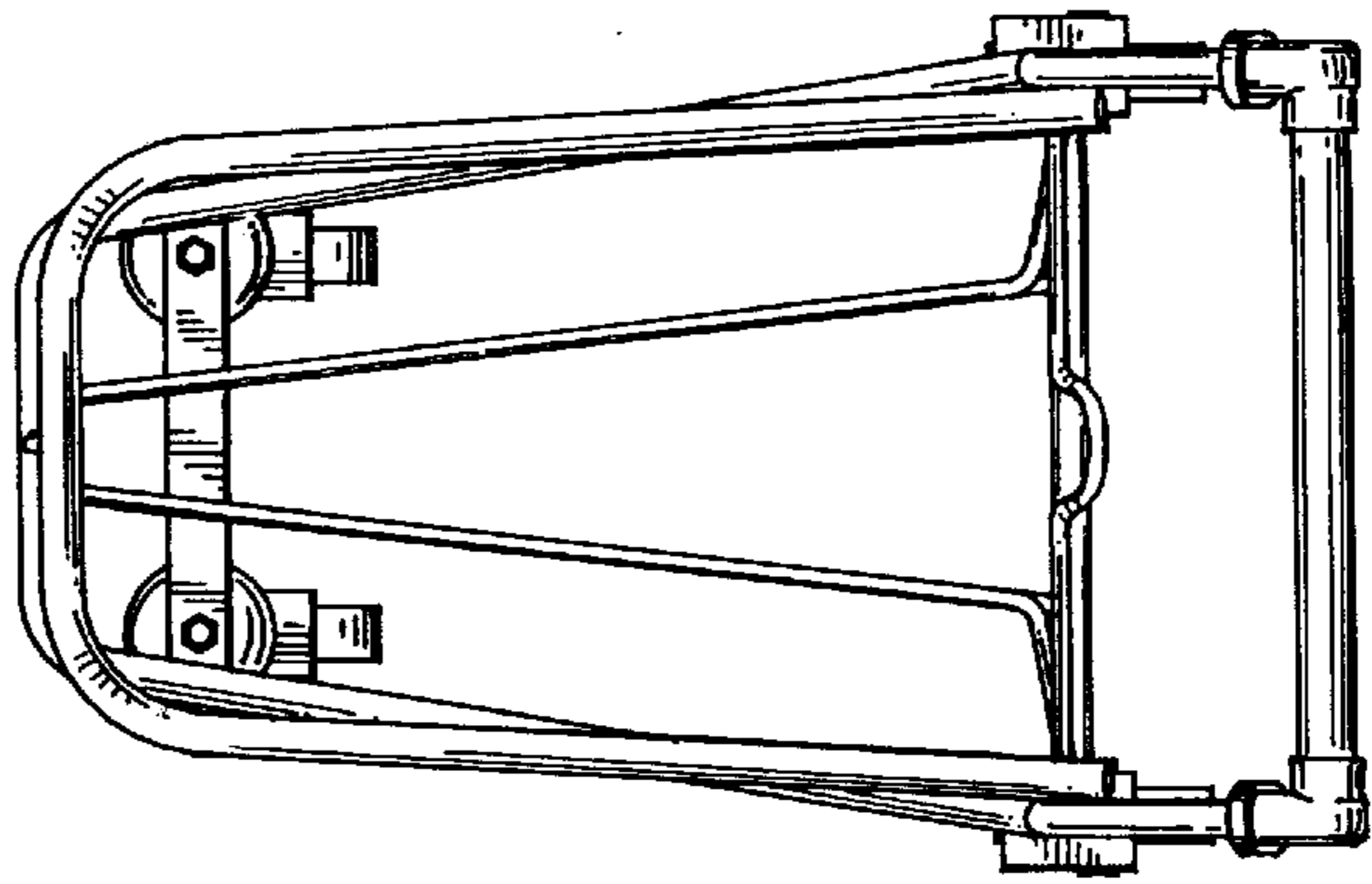


FIG. 8

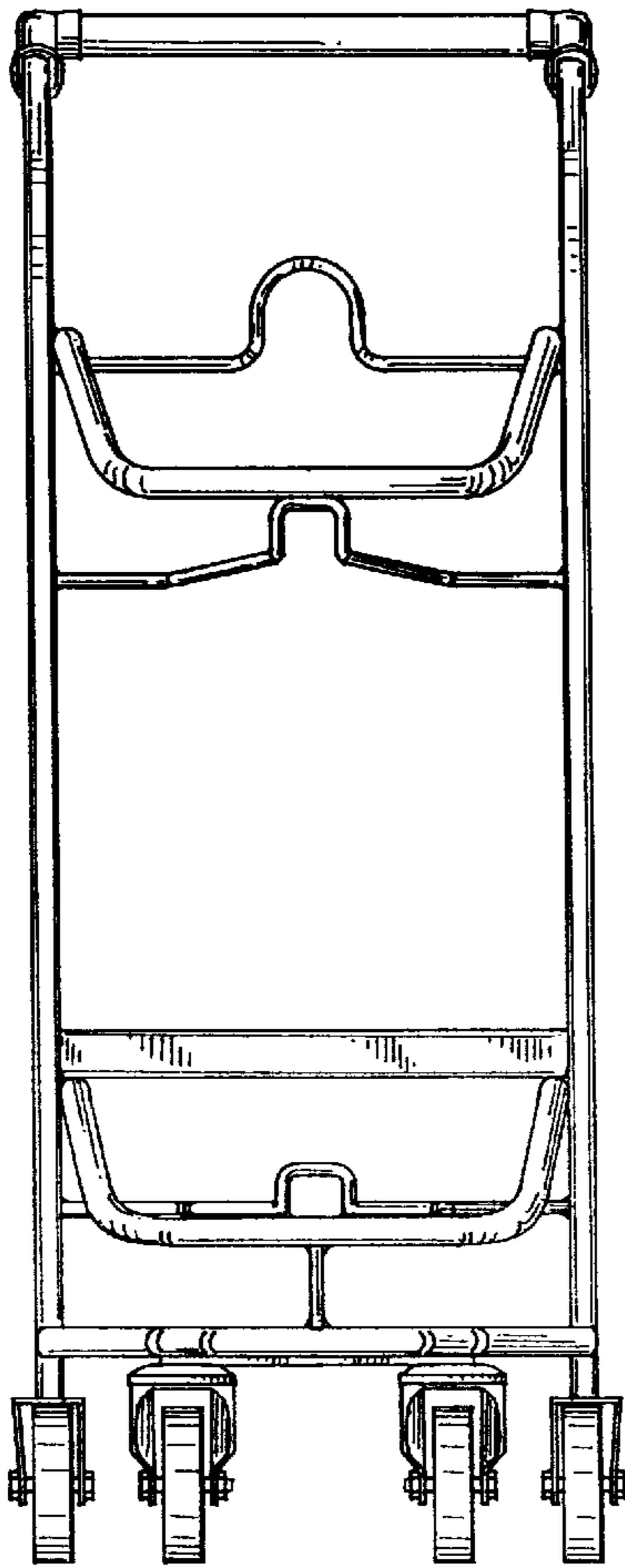


FIG. 10

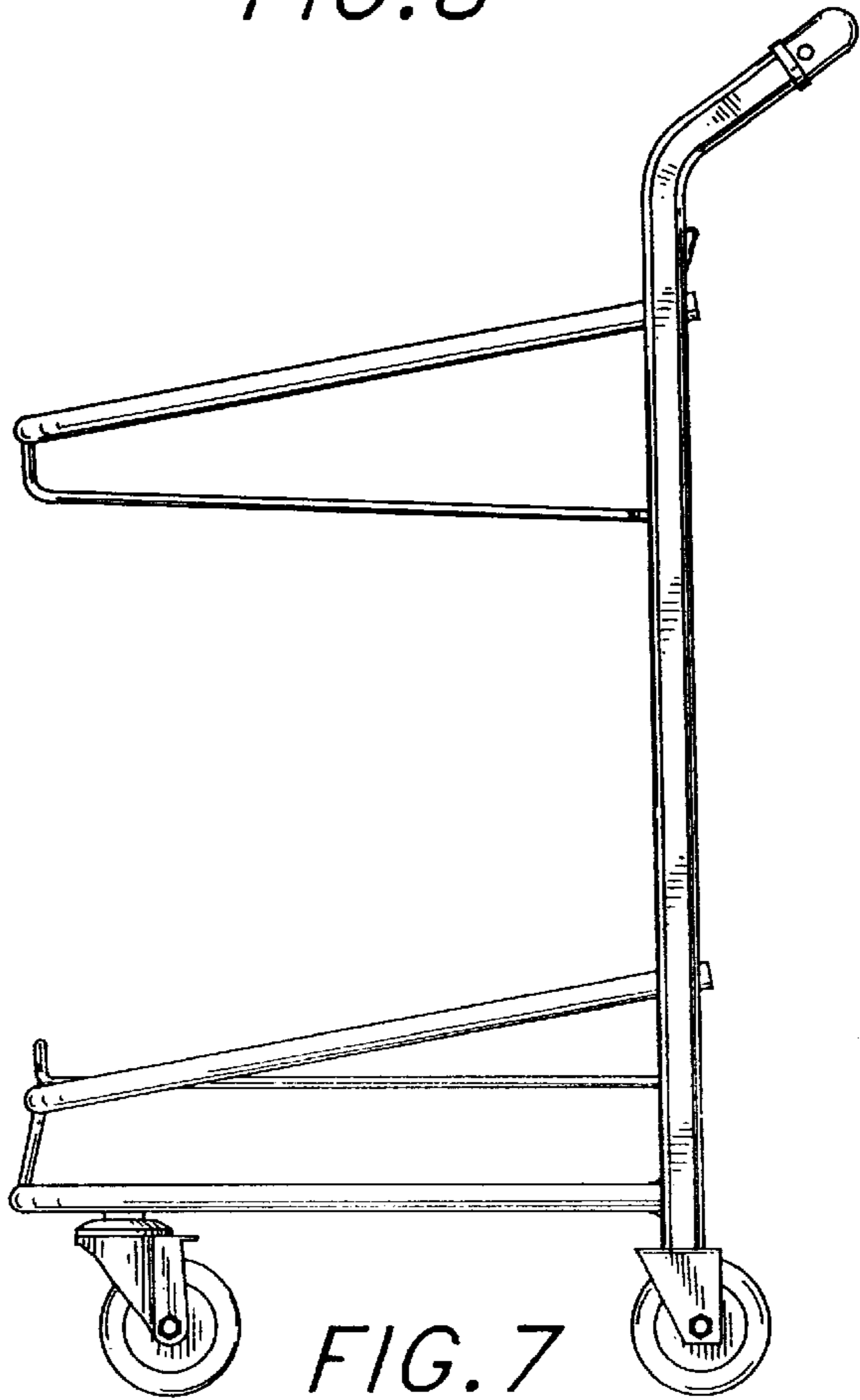


FIG. 7

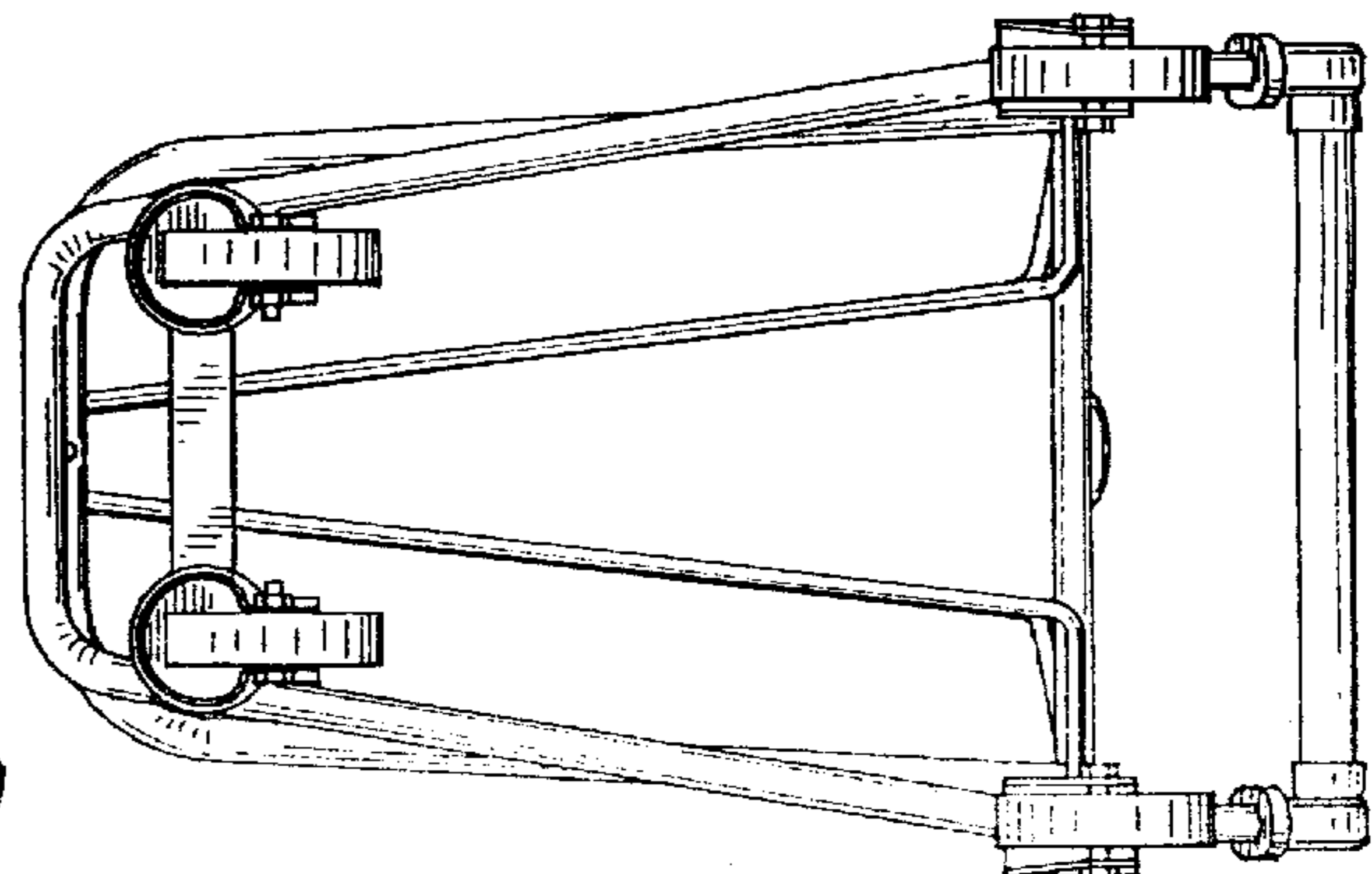


FIG. 9

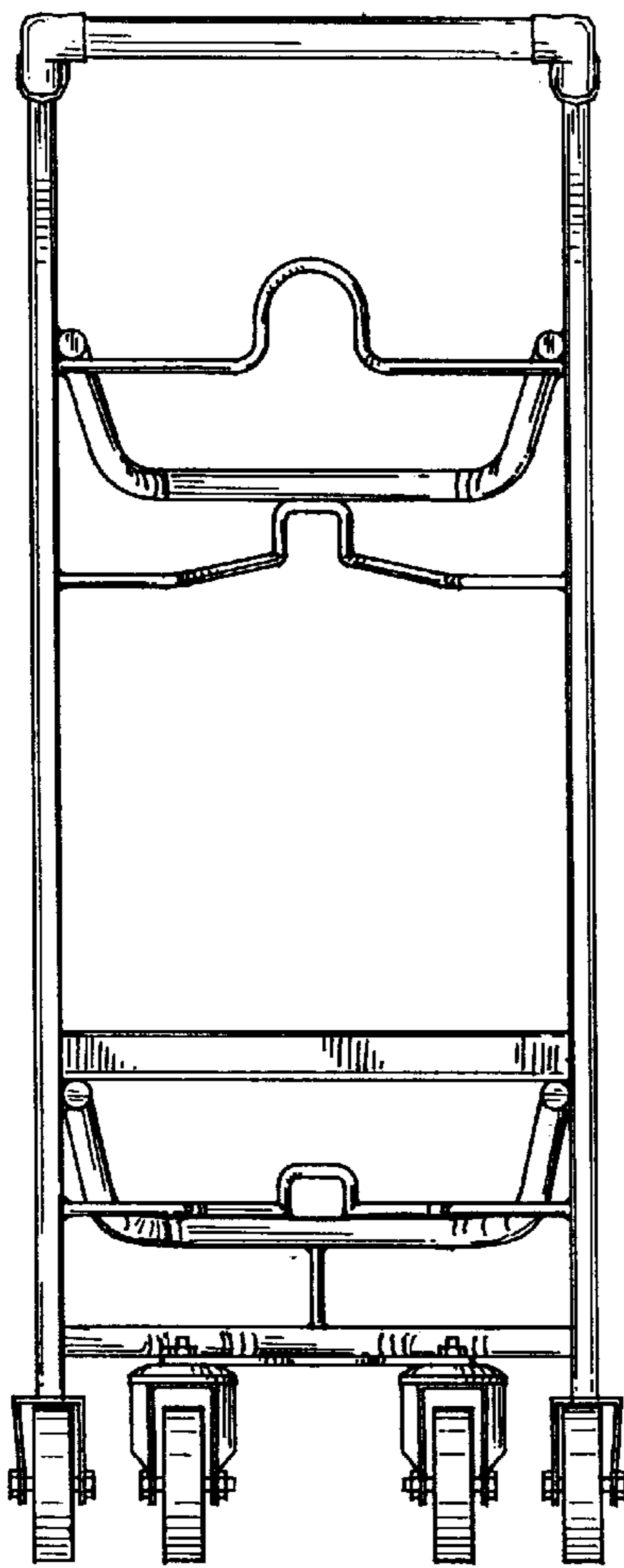


FIG. 11

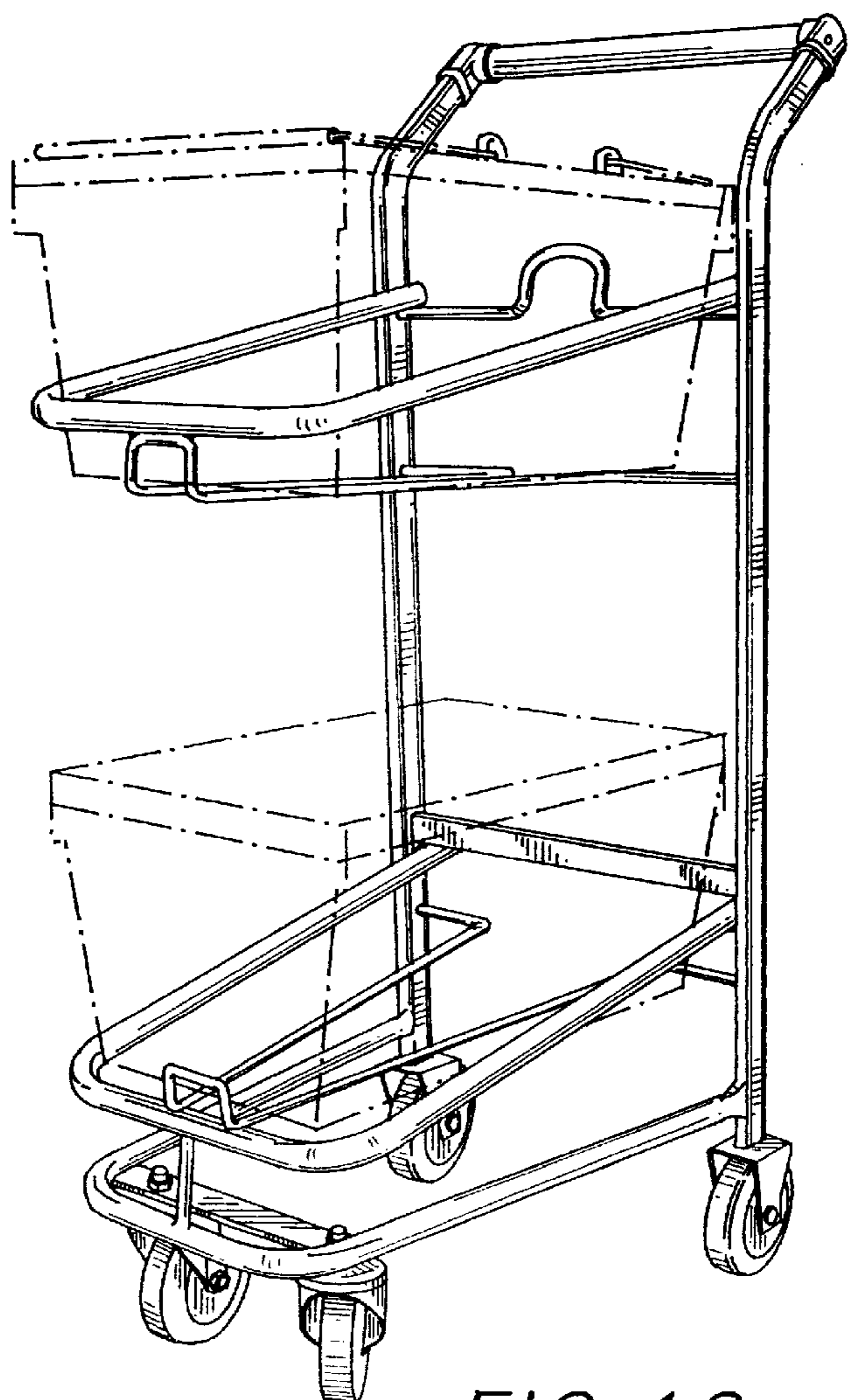


FIG. 12