



US00D449912B1

(12) **United States Design Patent**
Henriksson et al.

(10) **Patent No.:** **US D449,912 S**

(45) **Date of Patent:** **** Oct. 30, 2001**

(54) **ADJUSTABLE FRAME**

(75) Inventors: **Kjell Henriksson**, Bredaryd; **Lars Lindelöf**, Danderyd, both of (SE)

(73) Assignee: **Marianne Trading AB**, Danderyd (SE)

(**) Term: **14 Years**

(21) Appl. No.: **29/102,062**

(22) Filed: **Mar. 16, 1999**

(30) **Foreign Application Priority Data**

Sep. 16, 1998 (SE) 98-1841

(51) **LOC (7) Cl.** **09-09**

(52) **U.S. Cl.** **D34/6**

(58) **Field of Search** D34/5, 6; 248/95,
248/96, 97, 98, 99, 100, 101; D3/318, 319,
321

(56) **References Cited**

U.S. PATENT DOCUMENTS

D. 229,364	*	11/1973	Juhlin	D34/5	X
D. 245,222	*	8/1977	Harling	D34/5	
D. 296,258	*	6/1988	Nelson	D34/6	
D. 336,704	*	6/1993	Foden	D34/6	
1,665,724	*	4/1928	Way	248/95	
3,352,520	*	11/1967	Bumgarner et al.	248/98	
5,125,605	*	6/1992	Guerrera	248/100	
5,180,126	*	1/1993	Bennett	248/99	
5,803,299	*	9/1998	Sealy, Jr.	248/99	X
5,913,496	*	6/1999	Valdez	248/99	

* cited by examiner

Primary Examiner—Cynthia E. Ramirez

(74) *Attorney, Agent, or Firm*—Birch, Stewart, Kolasch & Birch, LLP

(57) **CLAIM**

The ornamental design for a adjustable frame, as shown and described.

DESCRIPTION

FIG. 1 is front elevational view of an adjustable frame showing our new design;

FIG. 2 is a side perspective view thereof;

FIG. 3 is an enlarged front perspective view of a first corner portion that is disengaged therefrom;

FIG. 4 is an enlarged right perspective view of the first corner portion that is disengaged therefrom;

FIG. 5 is an enlarged left perspective view of a second corner portion that is disengaged therefrom;

FIG. 6 is an enlarged right perspective view of the second corner portion that is disengaged therefrom;

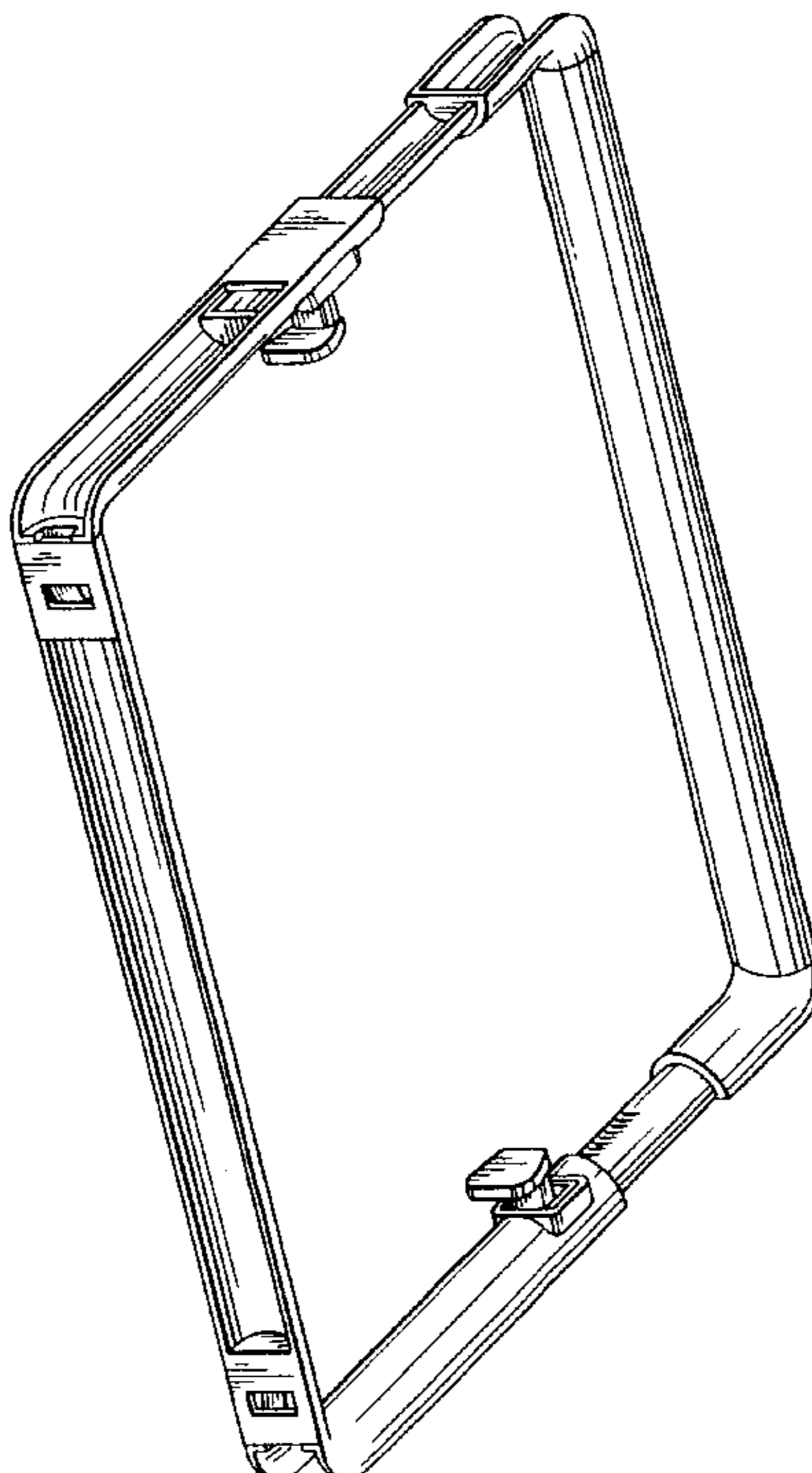
FIG. 7 is an enlarged perspective view of end portions of the first and second corner portions engaged relative to each other;

FIG. 8 is an enlarged front perspective view of an actuating member thereof; and,

FIG. 9 is an enlarged rear perspective view of an actuating member thereof.

The different portions of the adjustable frame are shown in a disengaged form in FIGS. 3 through 9 for convenience of illustration.

1 Claim, 6 Drawing Sheets



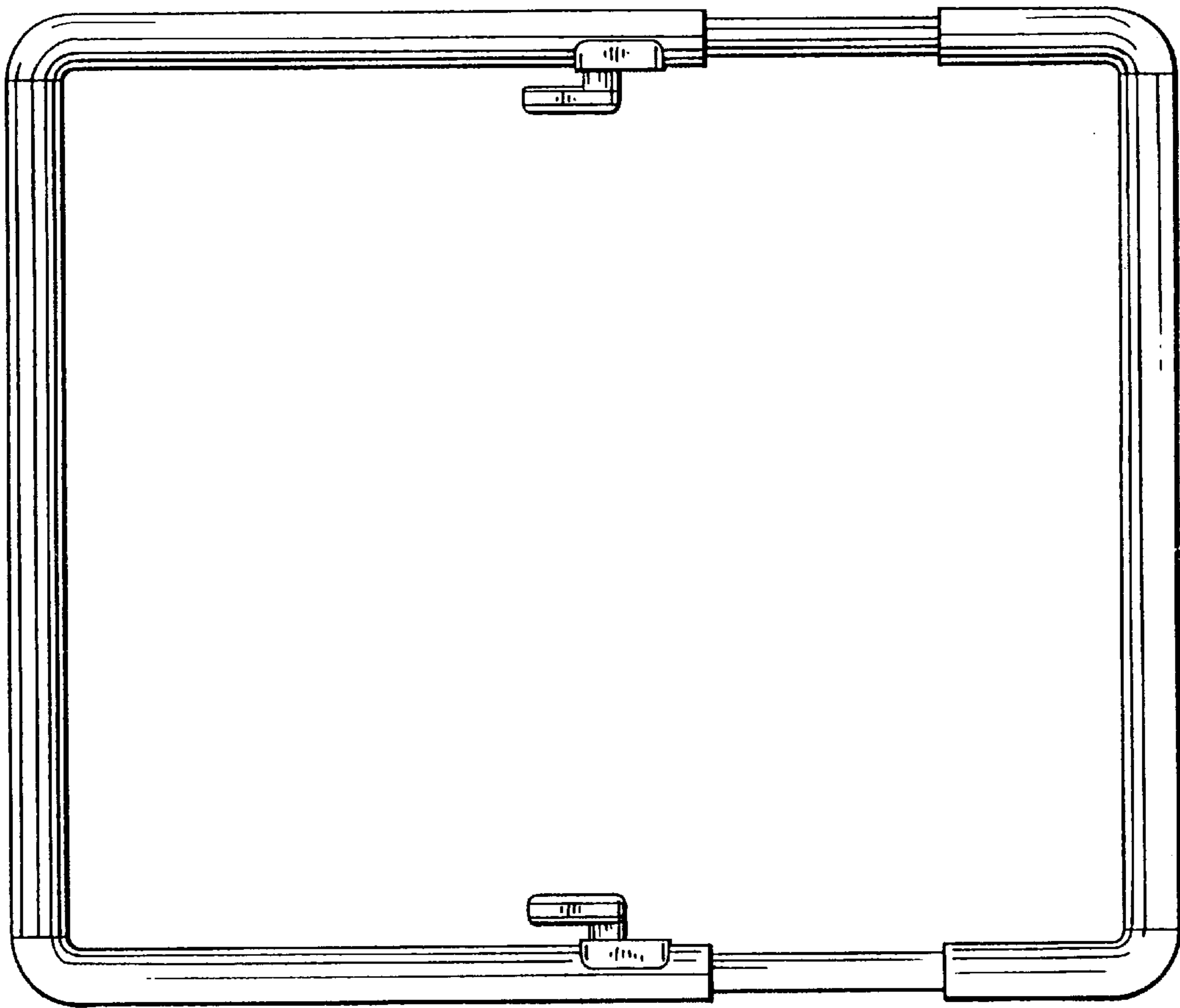


FIG. 1

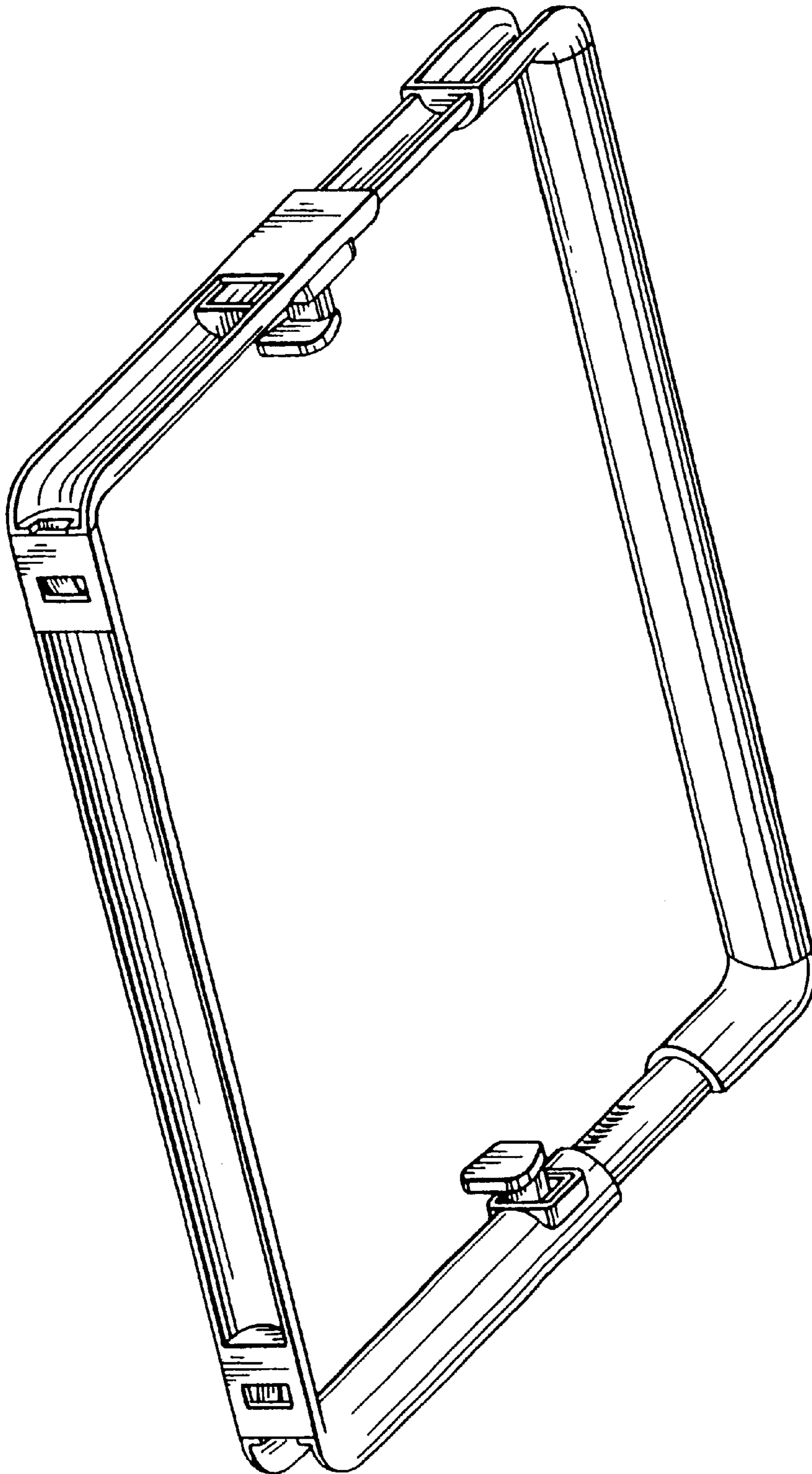


FIG. 2

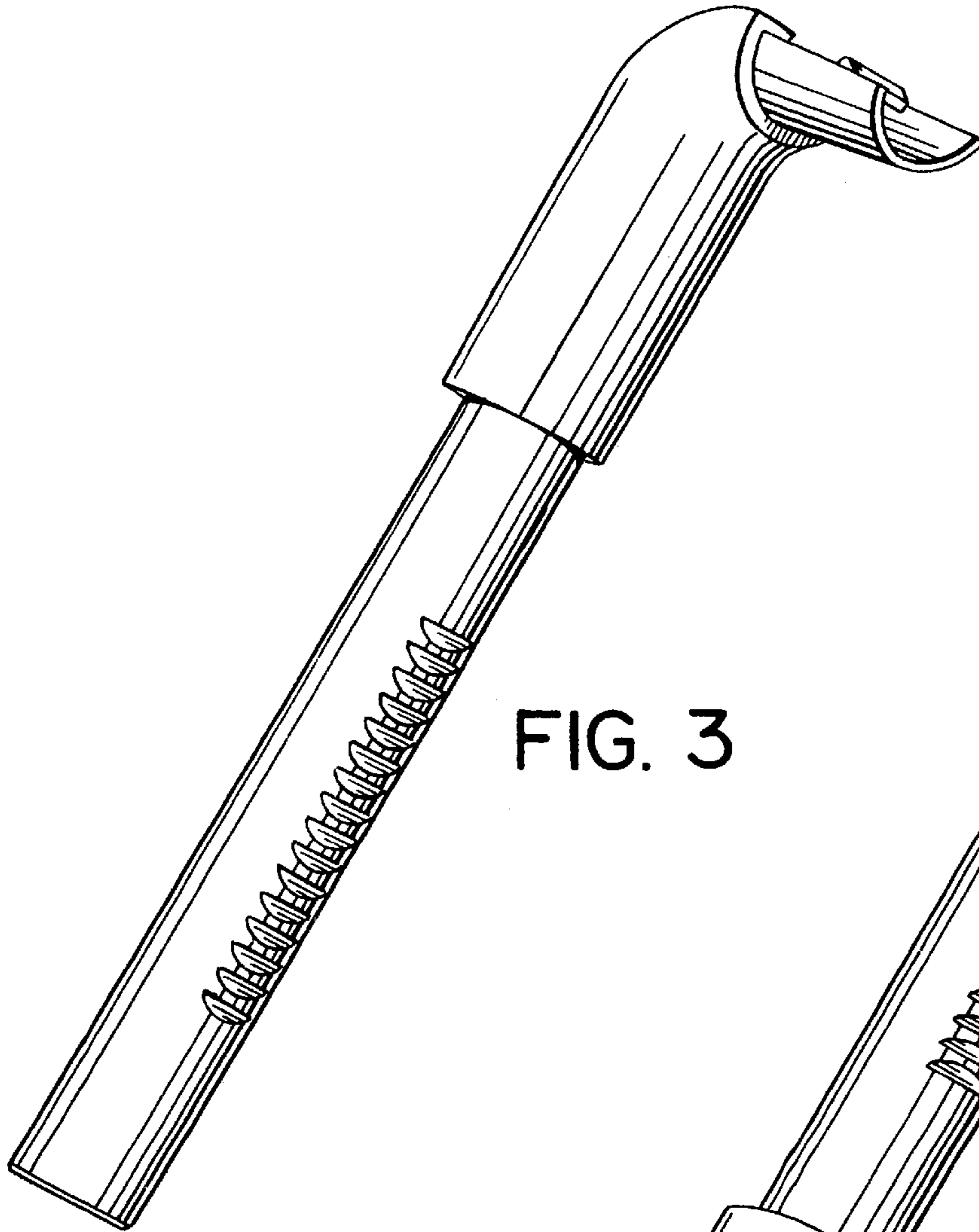


FIG. 3

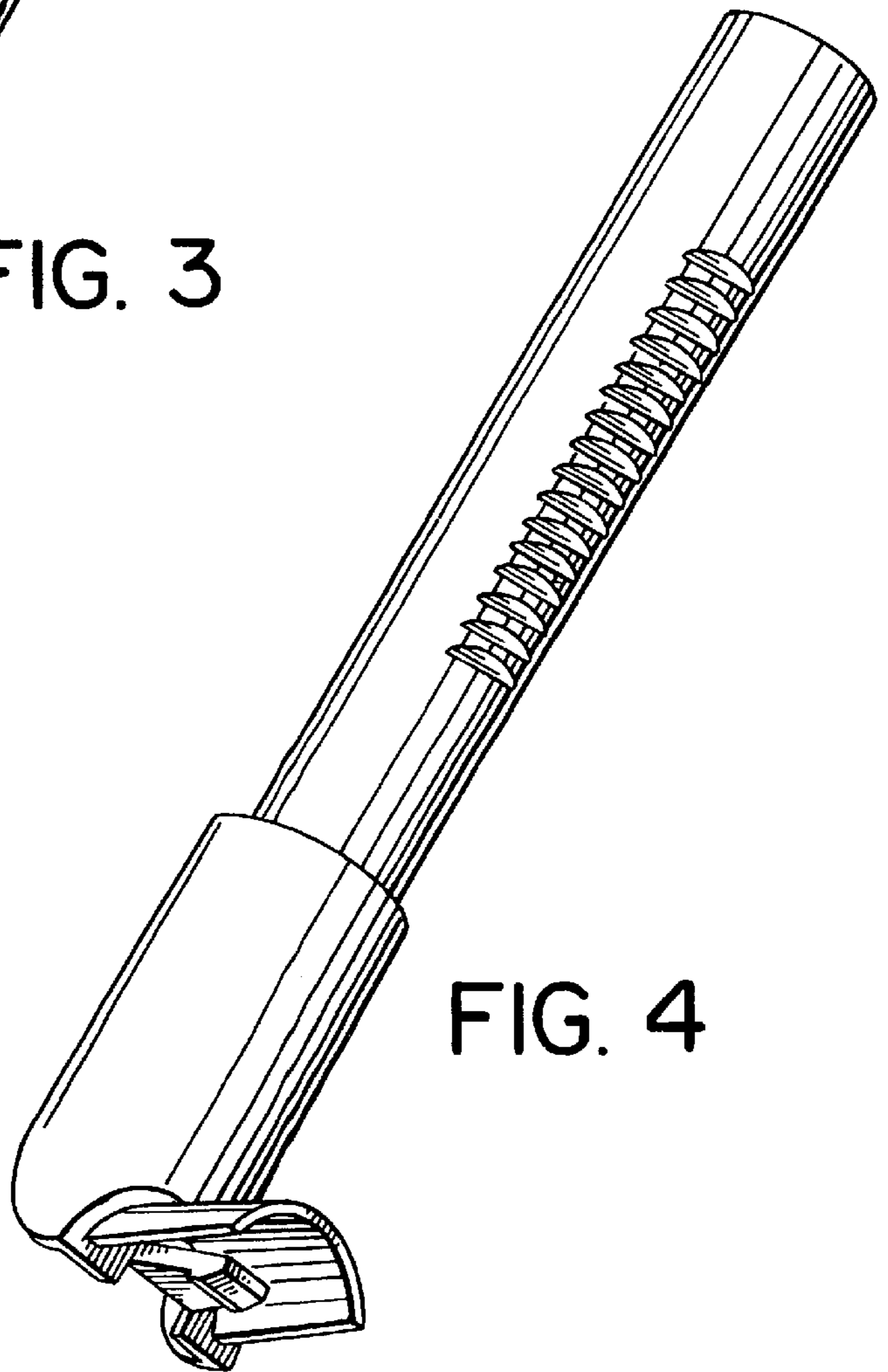


FIG. 4

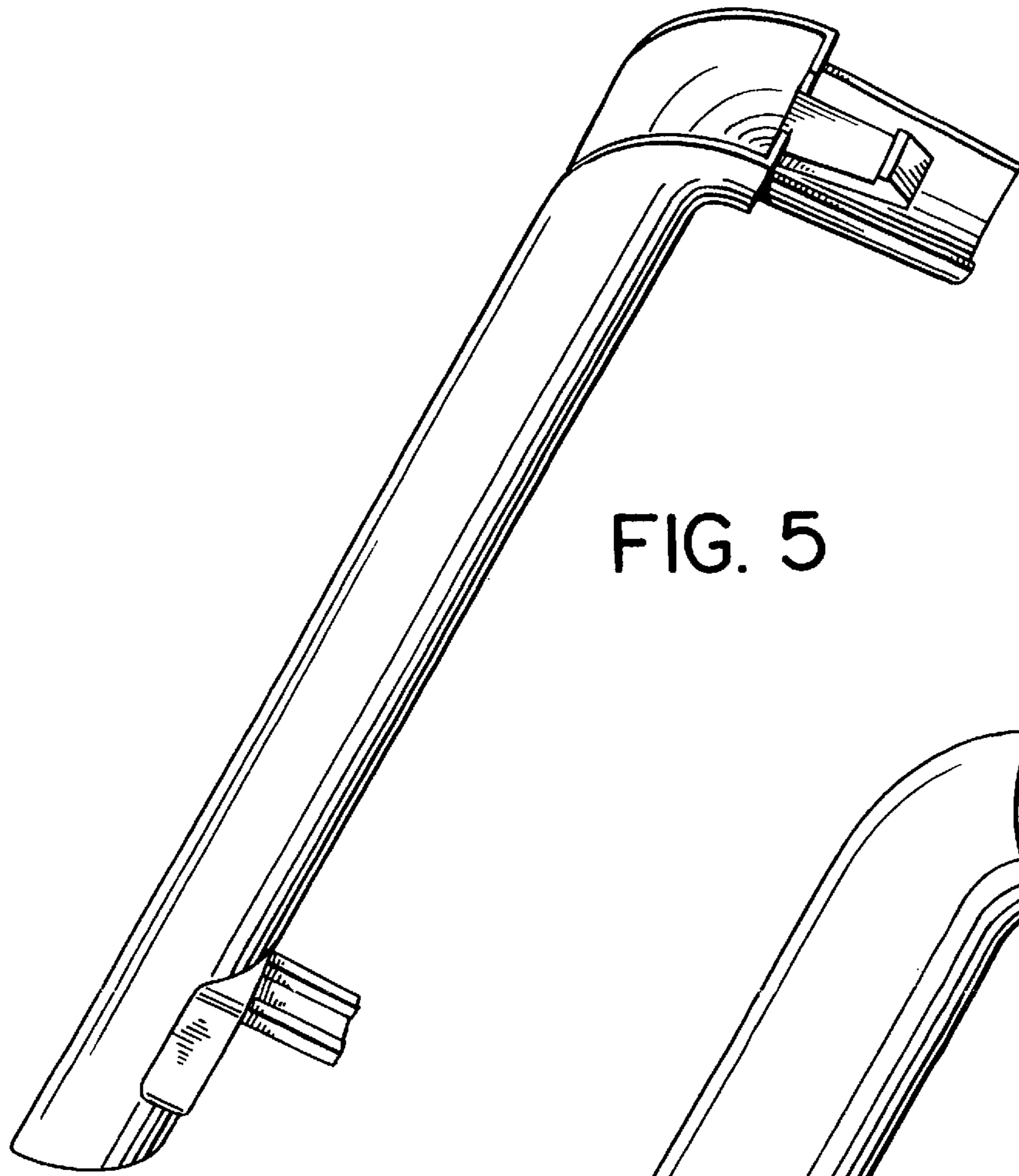


FIG. 5

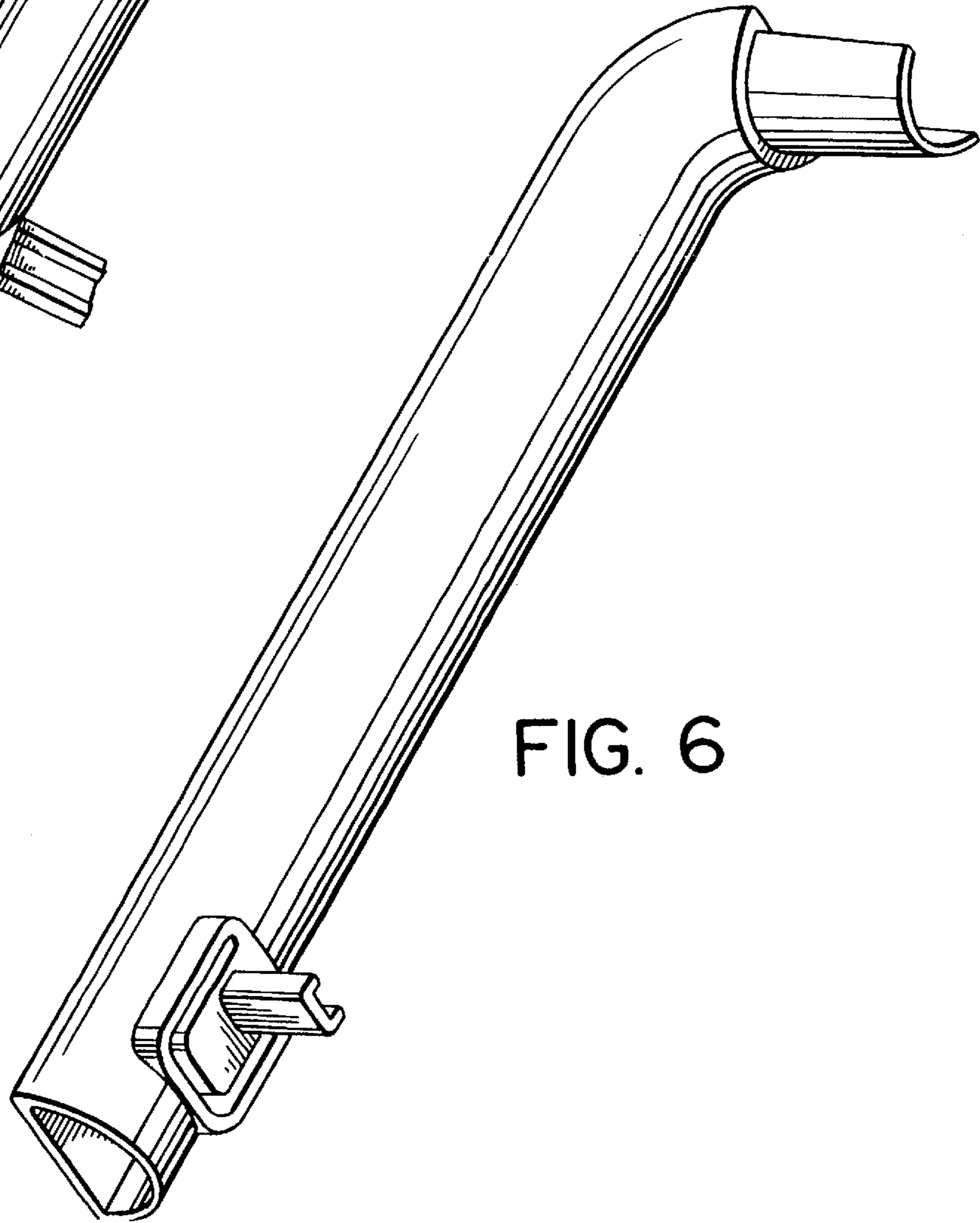


FIG. 6

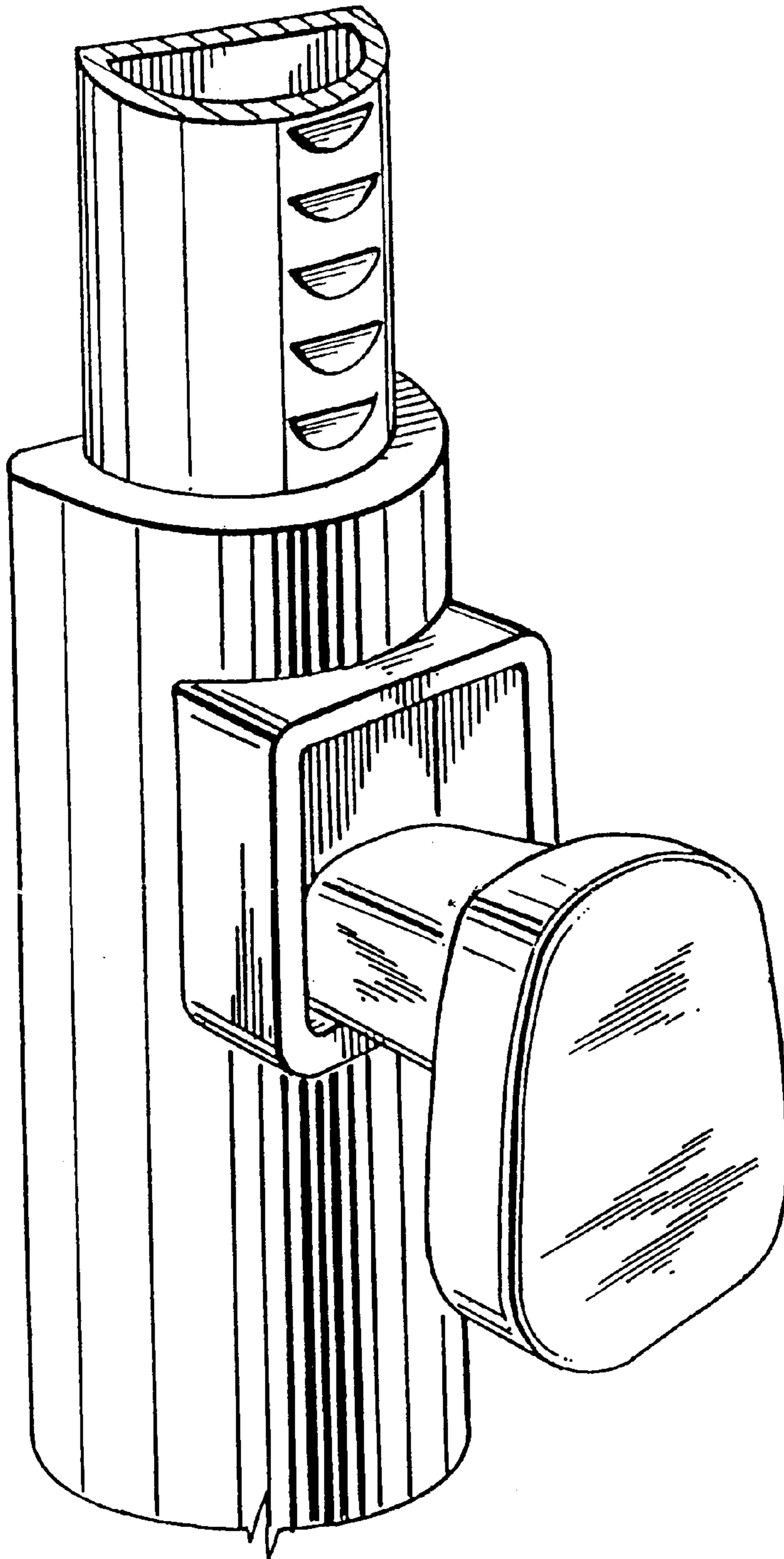


FIG. 7

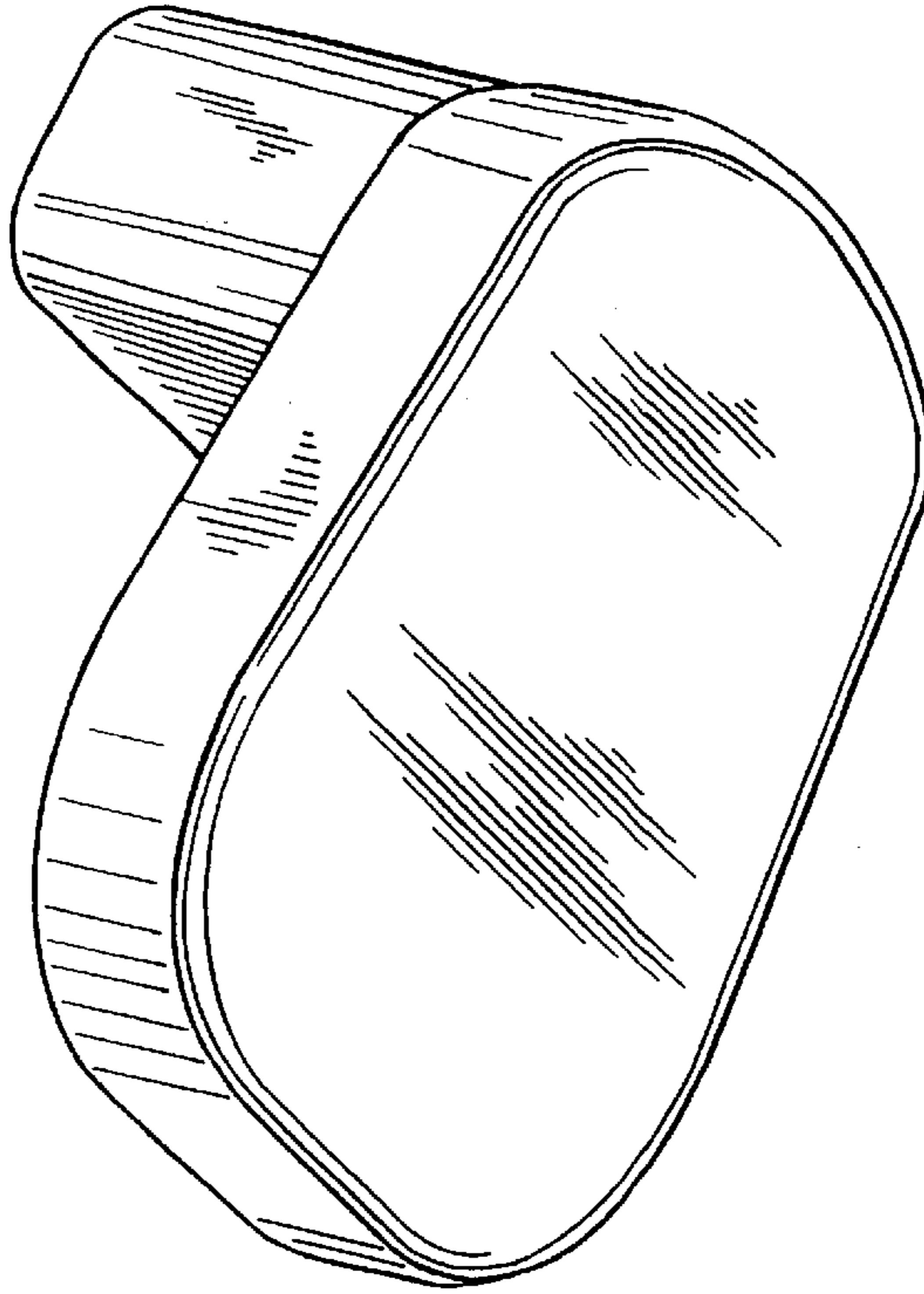


FIG. 8

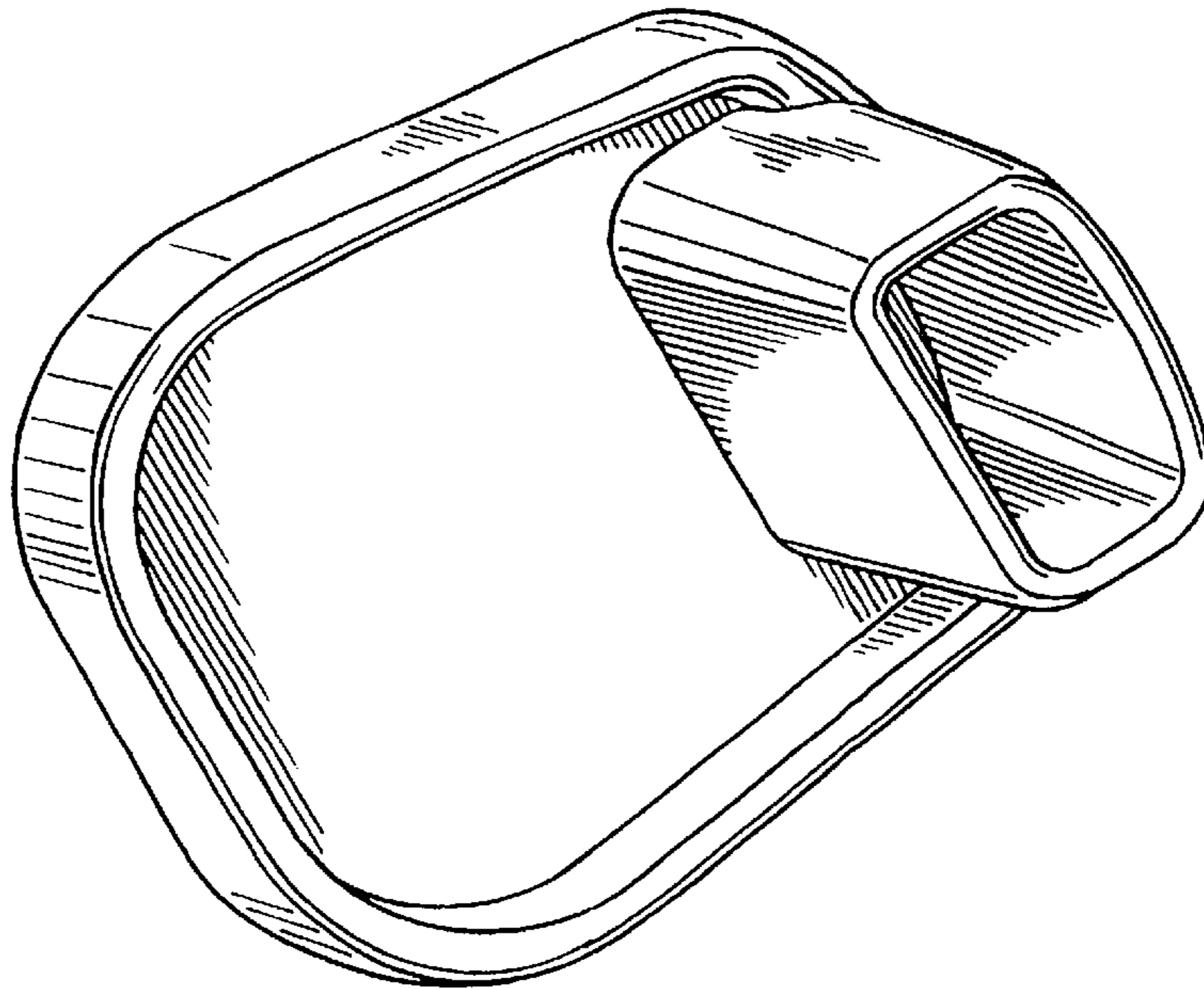


FIG. 9