



US00D449910B1

(12) **United States Design Patent**
Hendricks

(10) **Patent No.:** **US D449,910 S**

(45) **Date of Patent:** **** Oct. 30, 2001**

(54) **CLEANING DEVICE FOR NARROW SPACES OF MOTOR VEHICLES**

(76) **Inventor:** **Mark A. Hendricks**, 103 Rainbow Blvd., Indianapolis, IN (US) 46234-9739

(**) **Term:** **14 Years**

(21) **Appl. No.:** **29/124,382**

(22) **Filed:** **Jun. 5, 2000**

(51) **LOC (7) Cl.** **04-01**

(52) **U.S. Cl.** **D32/51; D28/63**

(58) **Field of Search** D28/63; D32/40, D32/50-52; 15/143.1, 209.1, 210.1, 220.1, 244.1, 244.2, 244.3

(56) **References Cited**

U.S. PATENT DOCUMENTS

1,616,315	*	2/1927	French	15/209.1	X
1,984,154		12/1934	Pilato	15/220.1	
2,537,482		1/1951	Reilly	15/220.1	
2,613,384		10/1952	Collins	15/244.2	
3,074,095		1/1963	Woods	15/220.1	
3,220,040		11/1965	Knaede	15/244.1	
3,526,918		9/1970	Leland	15/121	
4,318,201		3/1982	Rogers et al.	15/250.35	

4,615,553		10/1986	Hultine	294/58	
4,934,011	*	6/1990	Haug	15/244.1	X
5,074,046		12/1991	Kolesky	30/259	
5,161,279		11/1992	Sager et al.	15/220.1	
5,603,138		2/1997	Bonis	15/220.1	
5,659,916	*	8/1997	Beatty et al.	15/210.1	
5,915,746	*	6/1999	Melcher et al.	15/209.1	X
5,953,785		9/1999	Malmborg	15/244.1	

* cited by examiner

Primary Examiner—Alan P. Douglas

Assistant Examiner—Lavone D. Tabor

(74) *Attorney, Agent, or Firm*—Woodard, Emhardt, Naughton, Moriarty & McNett

(57) **CLAIM**

The ornamental design for a cleaning device for narrow spaces of motor vehicles, as shown and described.

DESCRIPTION

FIG. 1 is a perspective view of the cleaning device for narrow spaces of motor vehicles incorporating my new design.

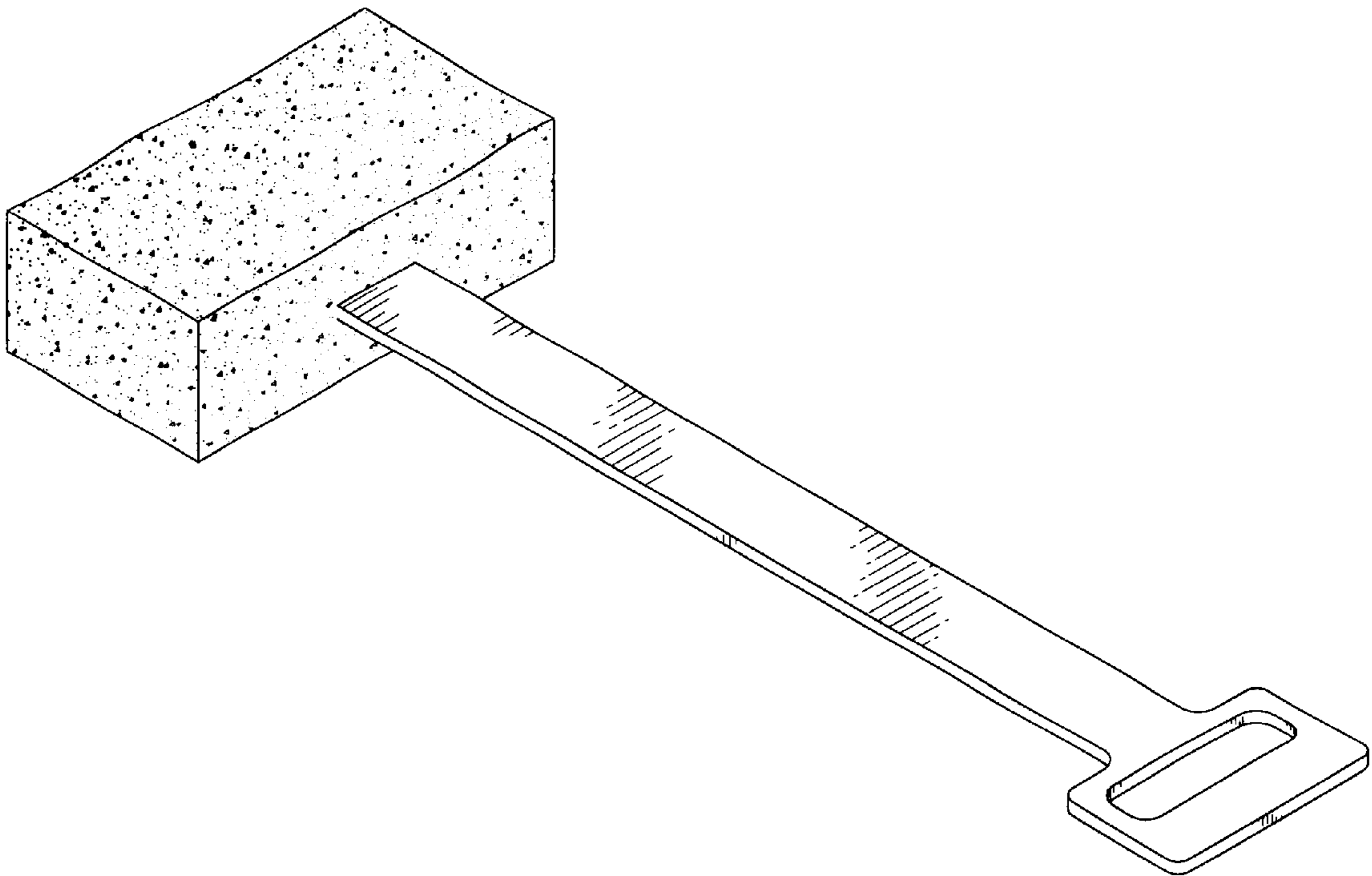
FIG. 2 is a top plan view.

FIG. 3 is a left end elevation view.

FIG. 4 is a front elevation view; and,

FIG. 5 is a right end elevation view.

1 Claim, 2 Drawing Sheets



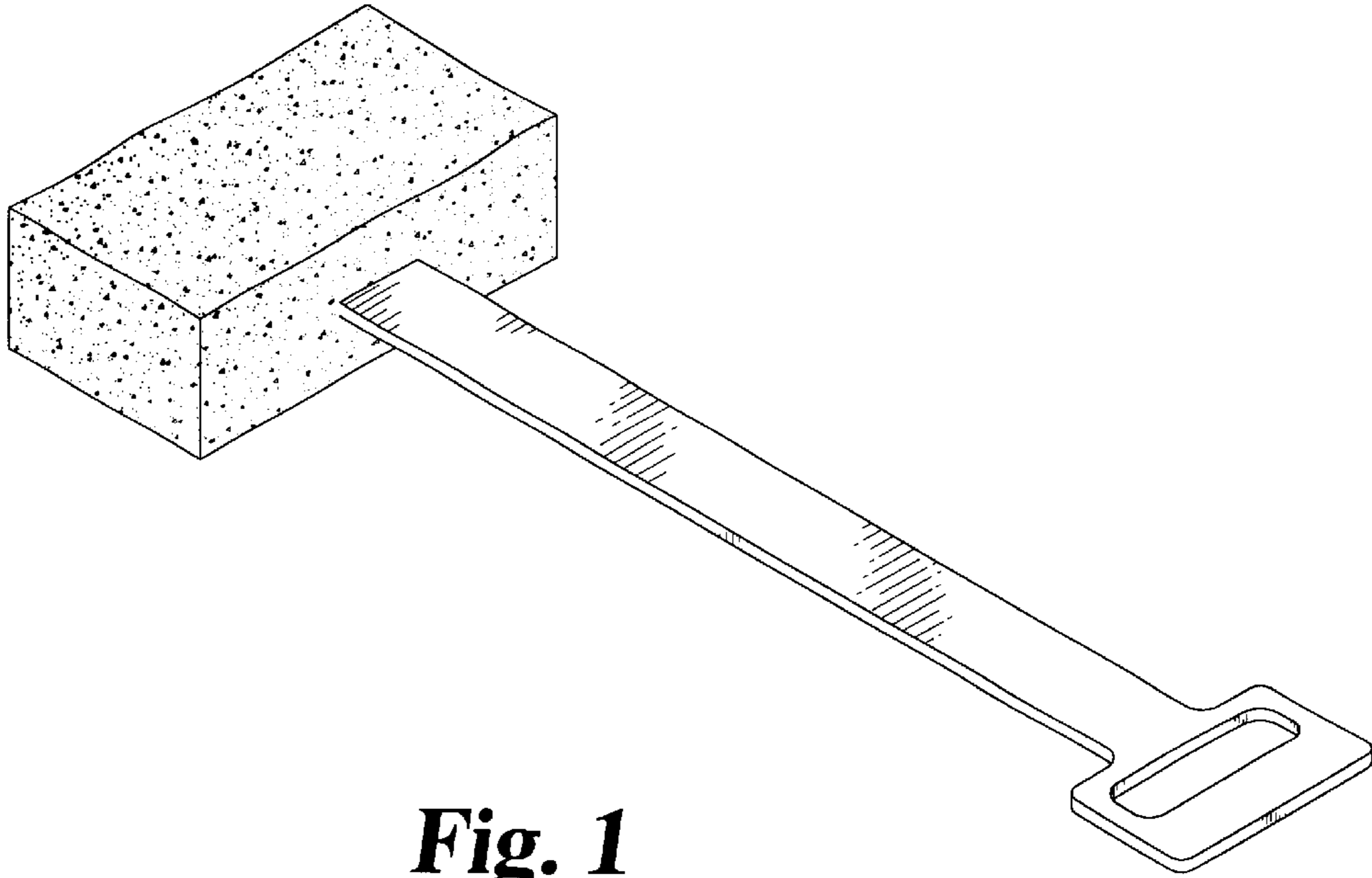


Fig. 1

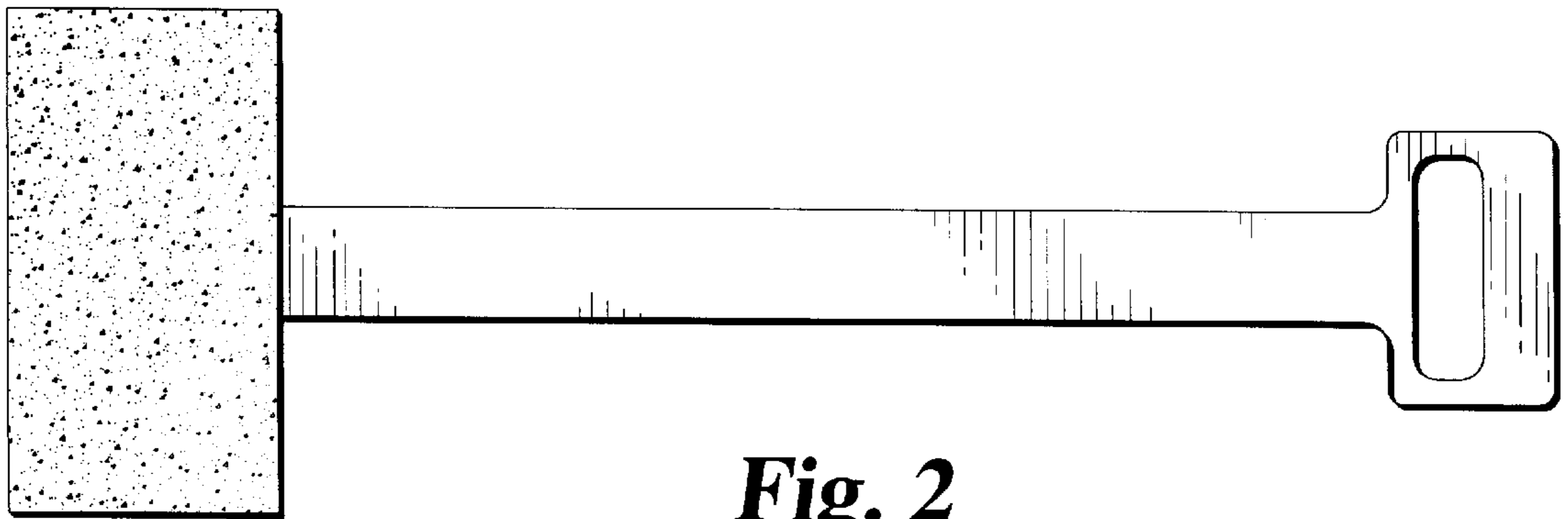


Fig. 2

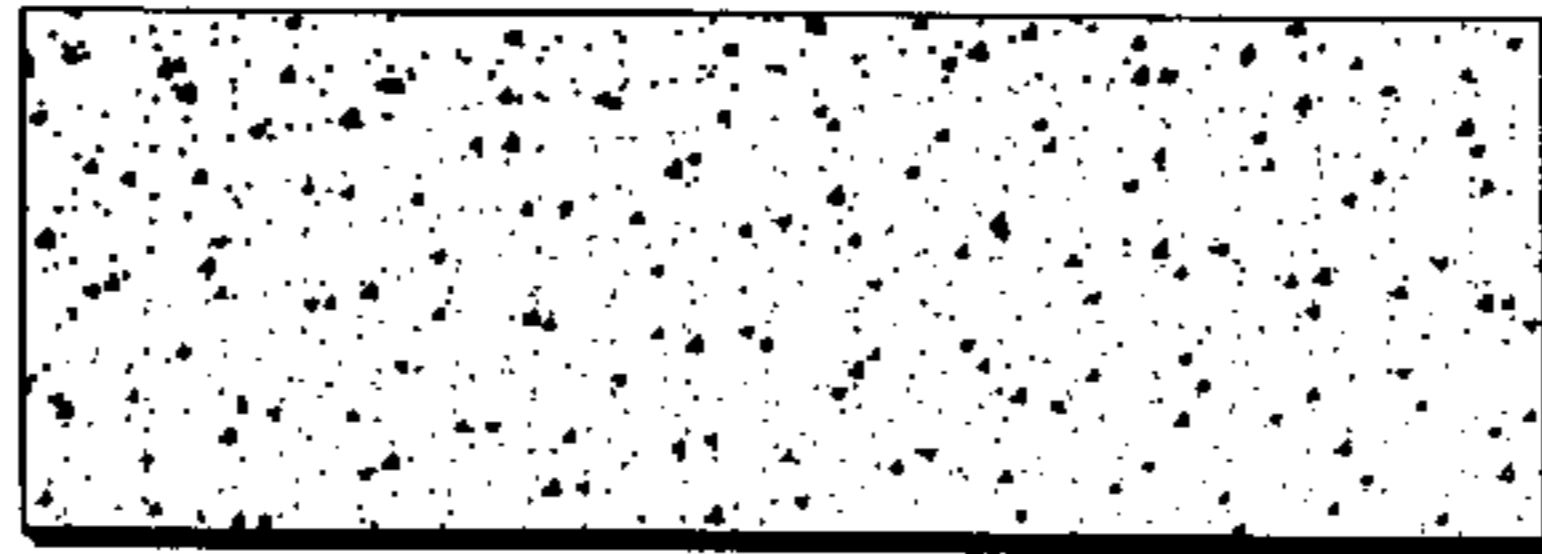


Fig. 3

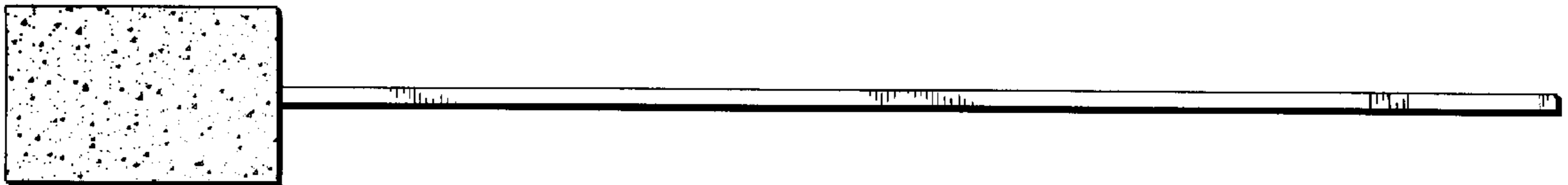


Fig. 4

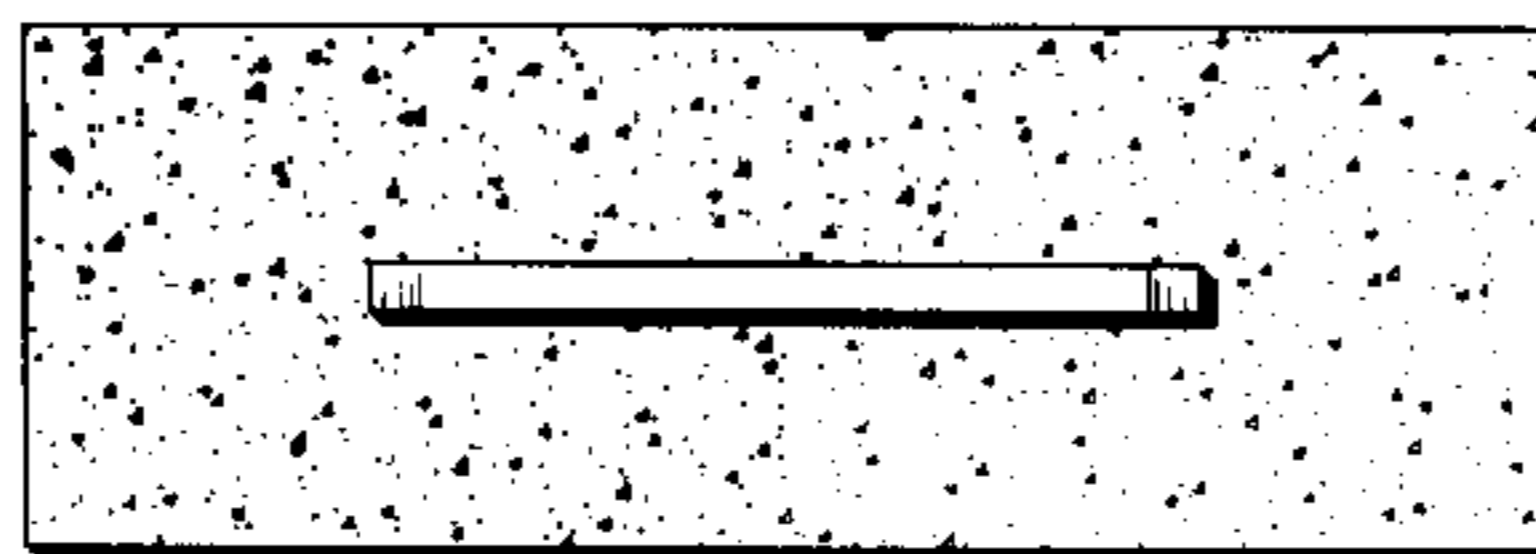


Fig. 5