



US00D449906B1

(12) **United States Design Patent**  
**Paterson et al.**

(10) **Patent No.:** **US D449,906 S**

(45) **Date of Patent:** **\*\* Oct. 30, 2001**

(54) **CONTAINMENT MEMBER FOR FLOOR CARE APPARATUS**

(75) Inventors: **Chris M. Paterson**, Long Beach, MS (US); **Shane P. Cohen**, Metairie, LA (US); **Nheeda Enriquez**, Atlanta, GA (US); **Shari Moore**, Decatur; **Amy Ryan**, Marietta, both of GA (US)

(73) Assignee: **Oreck Holdings, LLC**, Cheyenne, WY (US)

(\*\*) Term: **14 Years**

(21) Appl. No.: **29/130,238**

(22) Filed: **Sep. 29, 2000**

(51) **LOC (7) Cl.** ..... **15-05**

(52) **U.S. Cl.** ..... **D32/31**

(58) **Field of Search** ..... D32/30-31, 25, D32/21-22; 15/347, 350, 351, 352, DIG. 8

(56) **References Cited**

**U.S. PATENT DOCUMENTS**

- D. 313,681 \* 1/1991 McKnight ..... D32/22
- D. 338,295 \* 8/1993 Kieft ..... D32/31

- D. 354,379 \* 1/1995 Shinozaki ..... D32/22
- D. 379,254 \* 5/1997 Roberts et al. .... D32/31
- D. 398,095 \* 9/1998 Sato et al. .... D32/22
- D. 429,041 \* 8/2000 Medema et al. .... D32/22
- D. 432,282 \* 10/2000 Hamm et al. .... D32/22

\* cited by examiner

*Primary Examiner*—Ruth McInroy

(74) *Attorney, Agent, or Firm*—Dorsey & Whitney LLP

(57) **CLAIM**

The ornamental design for a containment member for floor care apparatus, as shown and described.

**DESCRIPTION**

FIG. 1 is a front isometric view of a containment member for floor care apparatus showing our new design;

FIG. 2 is a front elevational view thereof;

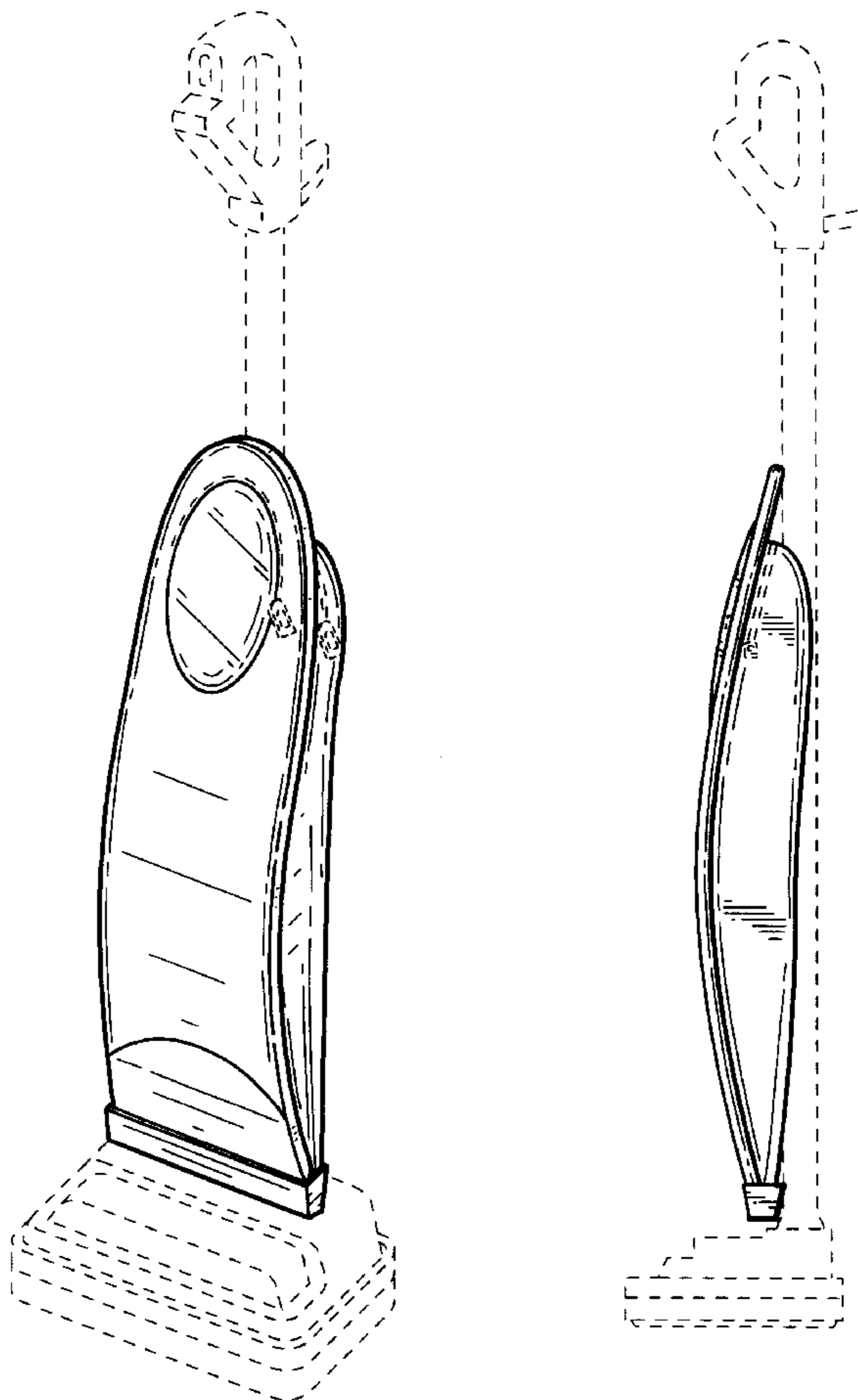
FIG. 3 is a rear elevational view thereof;

FIG. 4 is a right side elevational view thereof; and,

FIG. 5 is a top plan view thereof.

Portions of the accompanying drawings that appear in phantom lines are provided to illustrate an environment of the invention and do not form part of the invention as claimed.

**1 Claim, 3 Drawing Sheets**



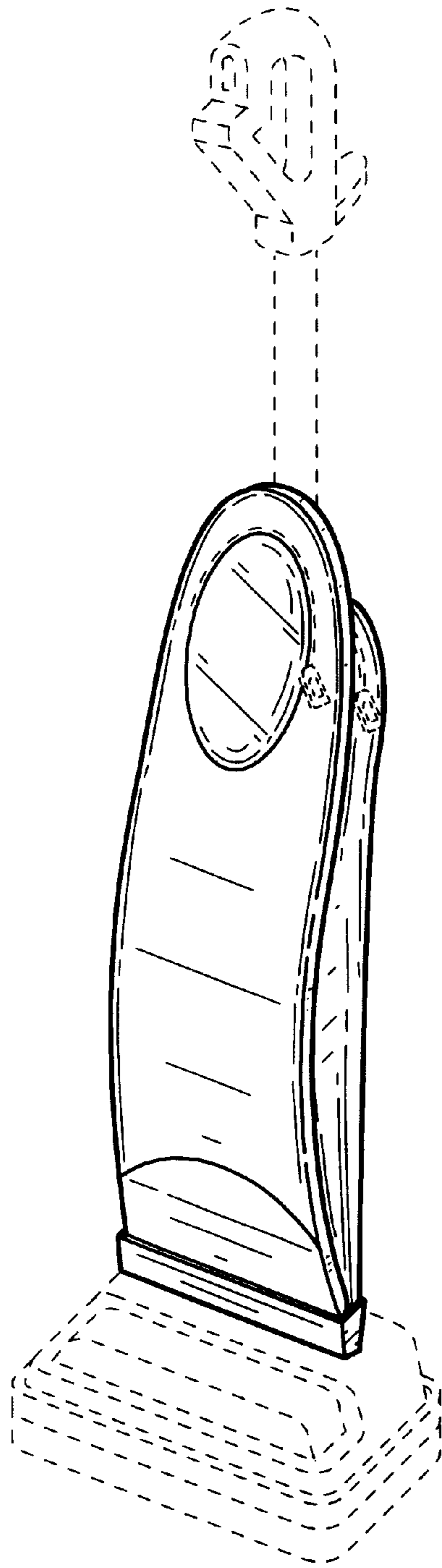


FIG. 1

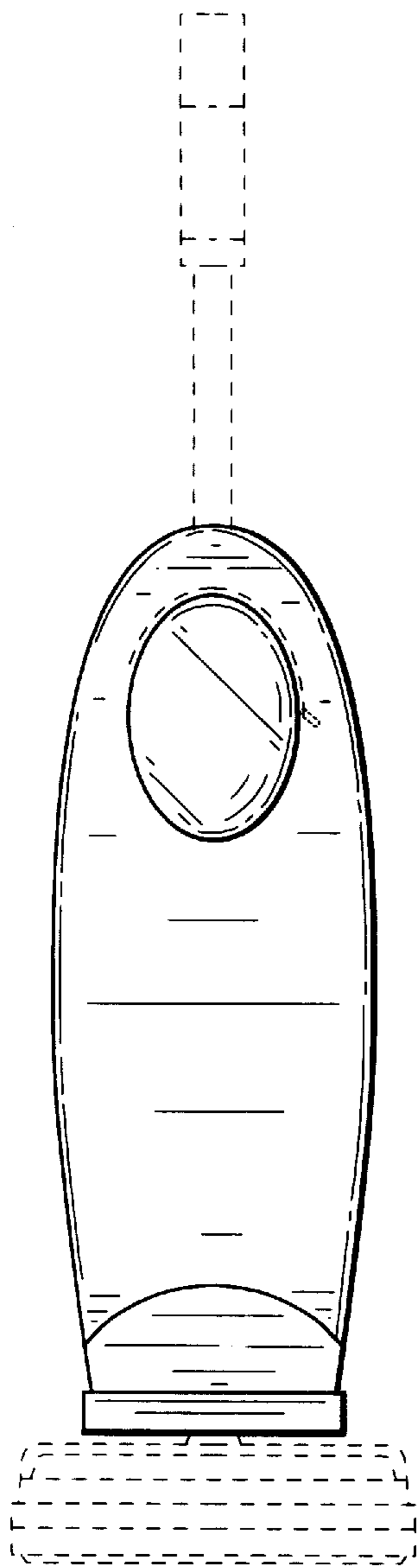


FIG. 2

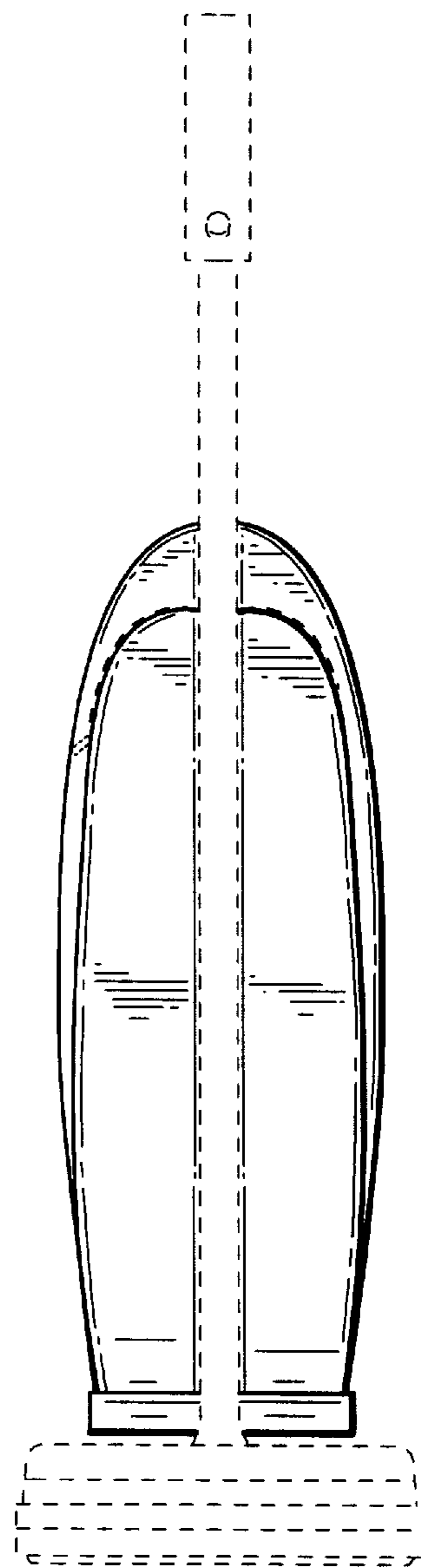


FIG. 3

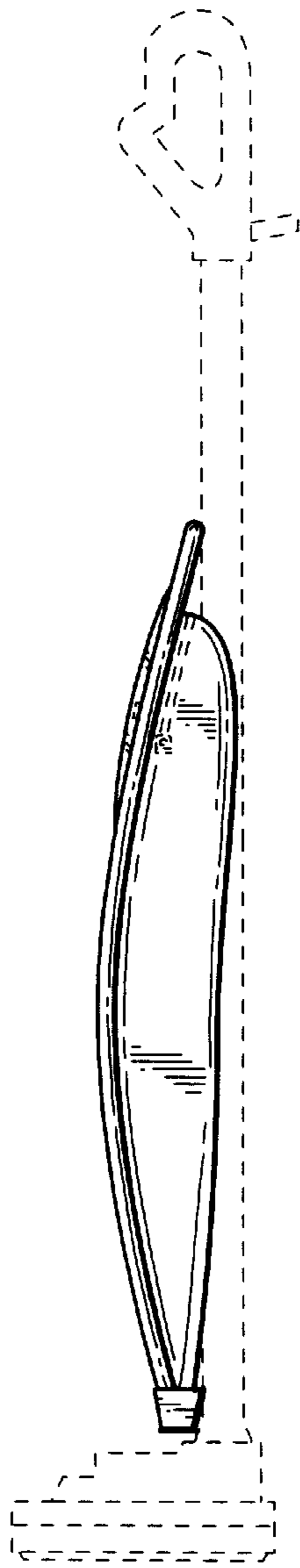


FIG. 4

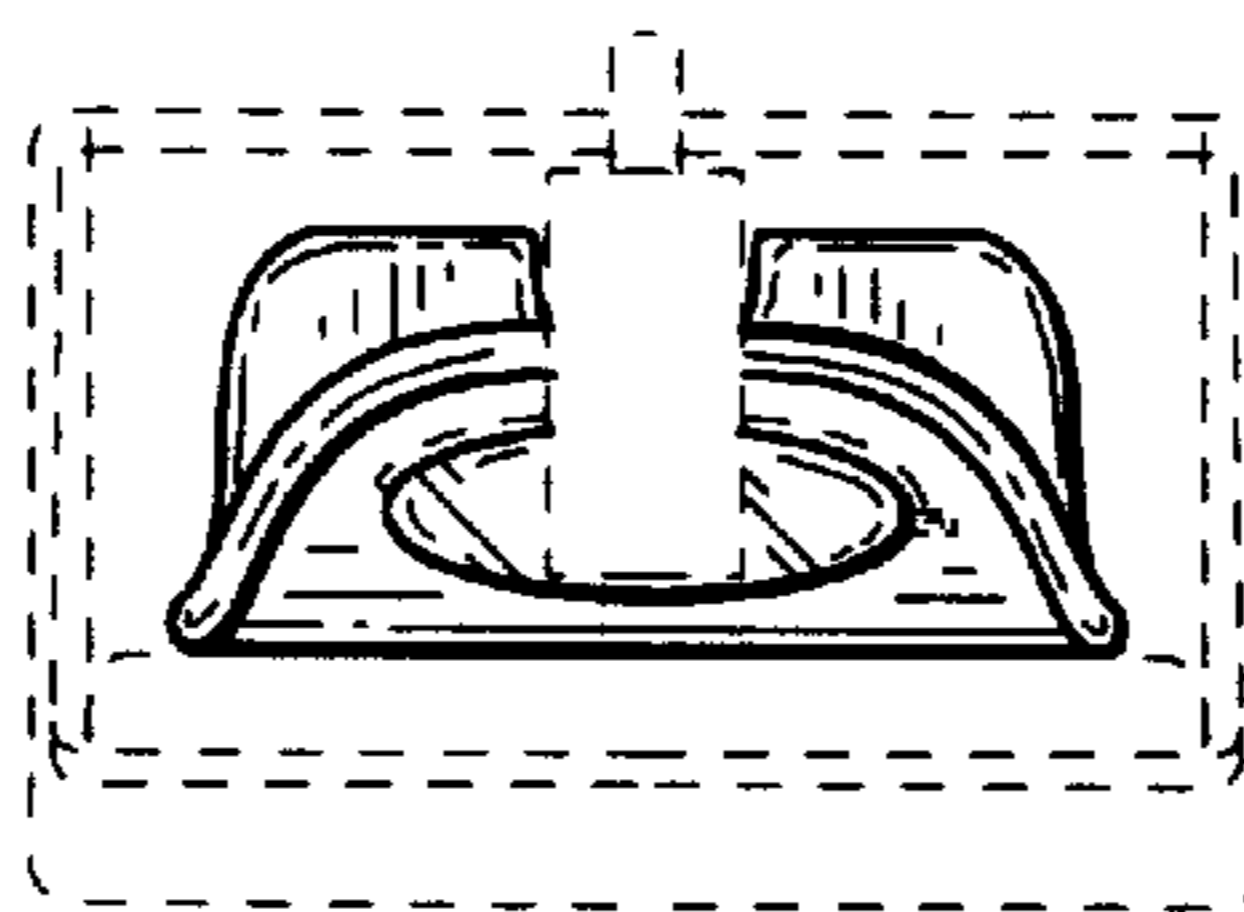


FIG. 5