



US00D449896B1

(12) **United States Design Patent**  
**Goss**

(10) **Patent No.:** **US D449,896 S**

(45) **Date of Patent:** **\*\* Oct. 30, 2001**

(54) **WINDOW COMPONENT EXTRUSION**

(75) Inventor: **Lorane Goss**, Slippery Rock, PA (US)

(73) Assignee: **Mikron Industries, Inc.**, Kent, WA (US)

(\*\*) Term: **14 Years**

(21) Appl. No.: **29/132,029**

(22) Filed: **Oct. 31, 2000**

(51) **LOC (7) Cl.** ..... **25-01**

(52) **U.S. Cl.** ..... **D25/124**

(58) **Field of Search** ..... D25/60, 52, 119-125;  
49/501, 504, DIG. 2; 52/204.5, 204.55,  
656.4-656.7

(56) **References Cited**

**U.S. PATENT DOCUMENTS**

- D. 379,532 \* 5/1997 DiGiorgio ..... D25/124
- D. 384,425 9/1997 Goss et al. .

**OTHER PUBLICATIONS**

Jeffrey R. Franson, Mikron Part No. 7814, Mikron Industries, Inc.; Kent, WA. Both listed designs were either known by other prior to the conception of the present invention or

offered for sale more than one year prior to the above filing date.

Douglas Cole, Mikron Part No. 7950, Mikron Industries, Inc.; Kent, WA. Both listed designs were either known by other prior to the conception of the present invention or offered for sale more than one year prior to the above filing date.

\* cited by examiner

*Primary Examiner*—Doris Clark

(74) *Attorney, Agent, or Firm*—Richardson & Folise

(57) **CLAIM**

The ornamental design for a window component extrusion, as shown and described.

**DESCRIPTION**

FIG. 1 is a top right perspective view of the window component extrusion which is broken in the center indicating indefinite length; and,

FIG. 2 is a bottom left perspective view of the window component extrusion shown in FIG. 1.

**1 Claim, 1 Drawing Sheet**

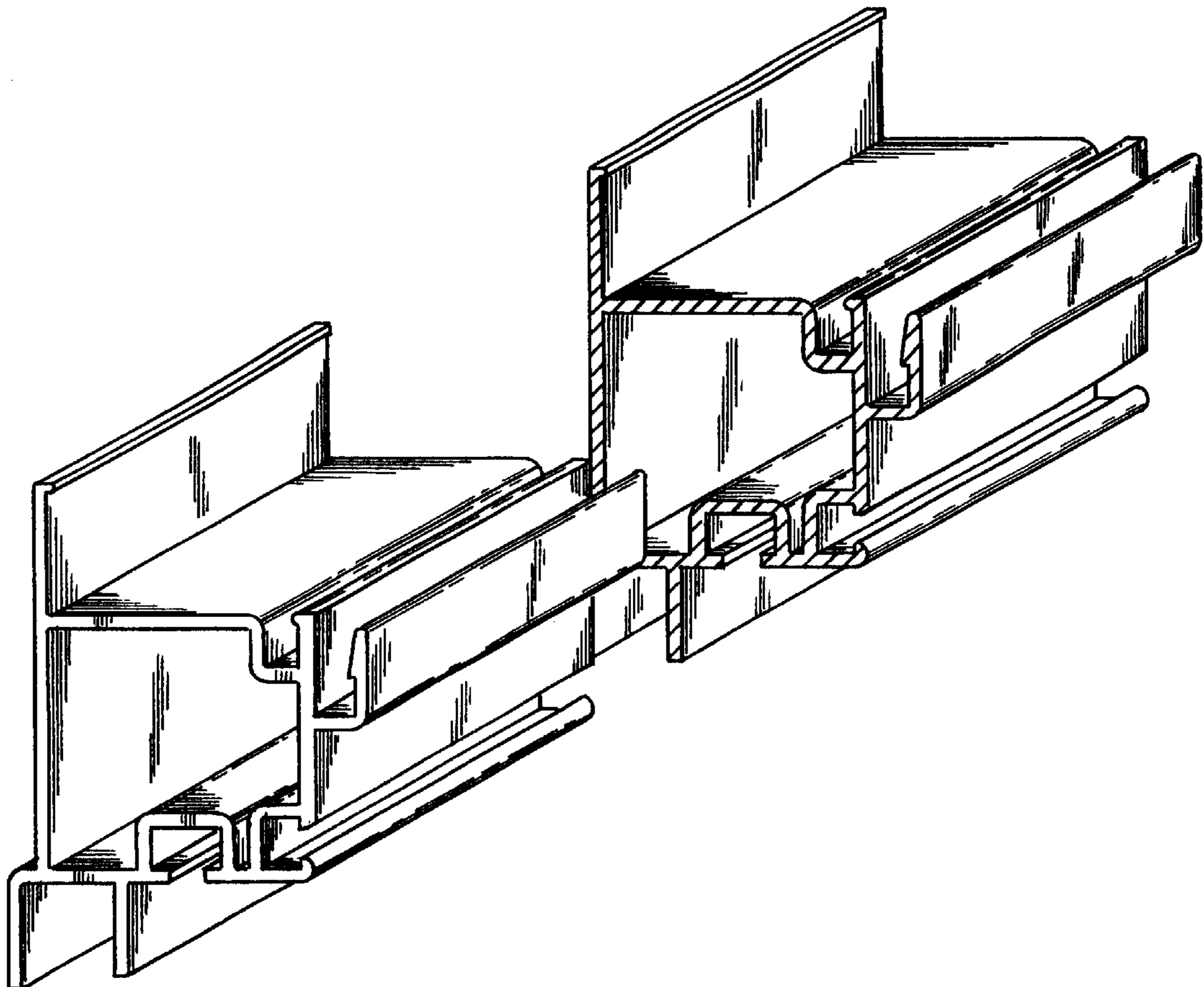


FIG. 1

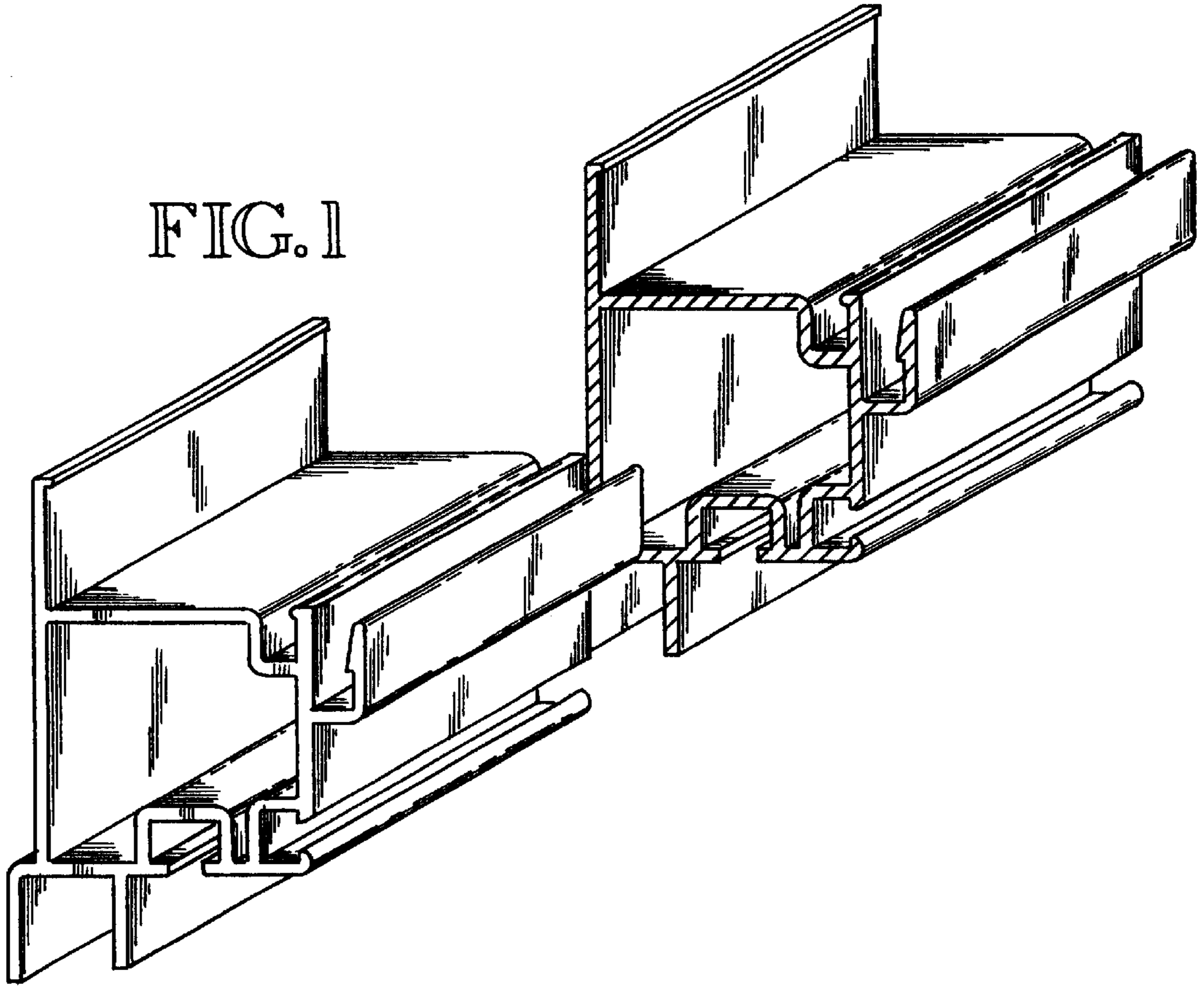


FIG. 2

