



US00D449894B1

(12) **United States Design Patent**
Novitsky et al.

(10) **Patent No.:** **US D449,894 S**

(45) **Date of Patent:** **** Oct. 30, 2001**

(54) **SAMPLE HOLDER FOR A DEVICE FOR MEASURING FLUORESCENCE POLARIZATION**

Primary Examiner—Ian Simmons
(74) *Attorney, Agent, or Firm*—Oblon, Spivak, McClelland, Maier & Neustadt, P.C.

(75) **Inventors:** **Thomas J. Novitsky; John L. Sloyer, Jr.,** both of Falmouth; **Elias R. Elias,** Milton, all of MA (US); **Alan Shinn,** Berkeley; **Chiko Fan,** San Ramon, both of CA (US)

(57) **CLAIM**

The ornamental design for a sample holder for a device for measuring fluorescence polarization, as shown and described.

(73) **Assignee:** **Associates of Cape Cod, Inc.,** Falmouth, MA (US)

DESCRIPTION

(**) **Term:** **14 Years**

FIG. 1 is a top and left front perspective view of a sample holder for a device for measuring fluorescence polarization, showing our design;

(21) **Appl. No.:** **29/126,885**

FIG. 2 is a front elevational view thereof;

(22) **Filed:** **Jul. 27, 2000**

FIG. 3 is a rear elevational view thereof;

(51) **LOC (7) Cl.** **24-02**

FIG. 4 is a top plan view thereof;

(52) **U.S. Cl.** **D24/216; D10/81; D24/227**

FIG. 5 is a bottom plan view thereof;

(58) **Field of Search** **D24/224, 227, D24/230, 216; D10/81, 46; 422/104, 102, 64, 43, 47, 65; 206/569, 459.5**

FIG. 6 is a left side elevational view thereof;

FIG. 7 is a right side elevational view thereof; and,

FIG. 8 is a top, front and left side elevational view thereof showing the sample holder in an open position when mounted on a housing device for measuring fluorescence polarization.

(56) **References Cited**

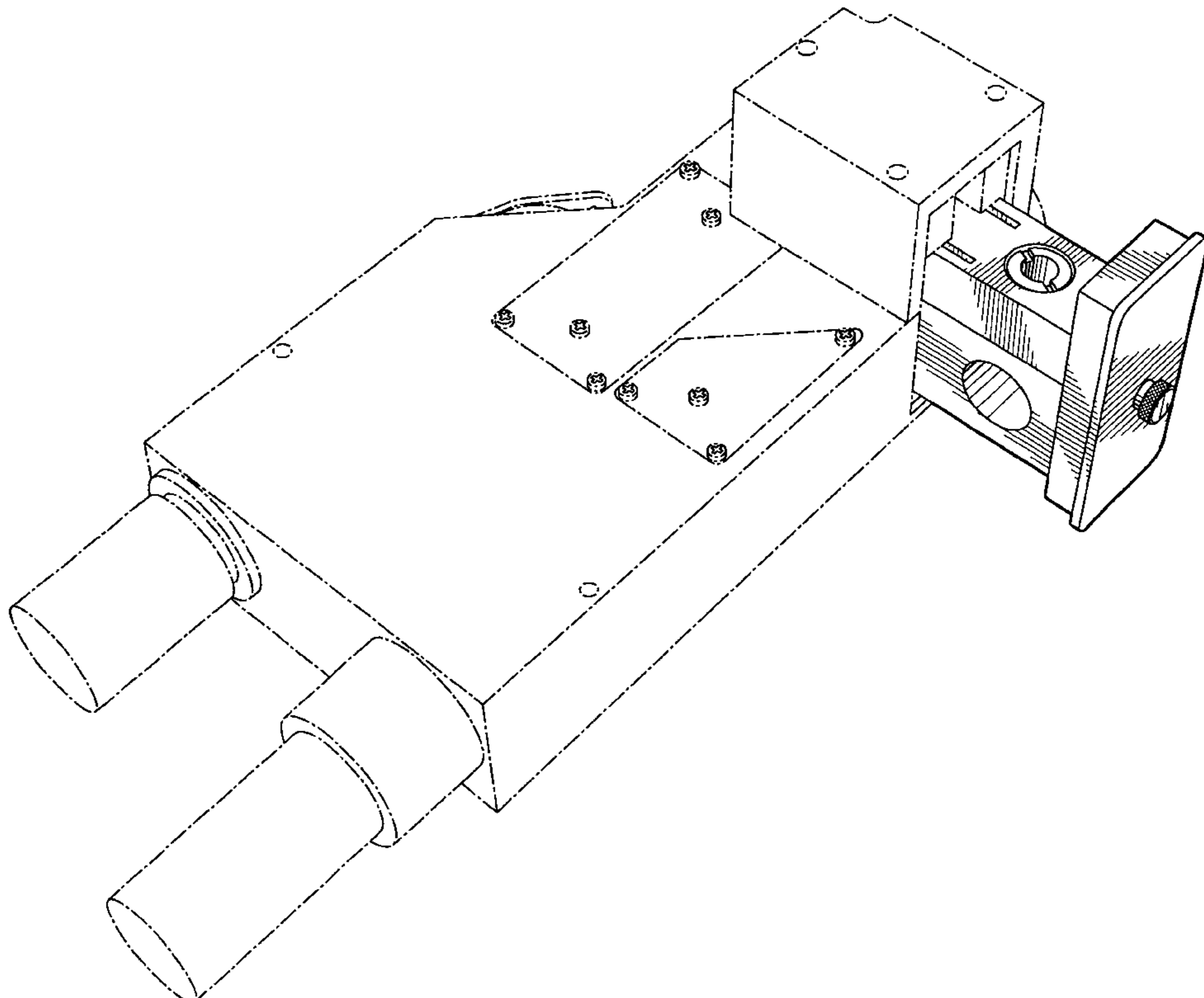
U.S. PATENT DOCUMENTS

- D. 290,401 * 6/1987 Bjorkman D24/227
- D. 443,216 * 6/2001 Novitsky et al. D10/81
- 6,187,267 * 2/2001 Taylor et al. 422/65

The broken line showing in the drawings is for illustrative purposes only and forms no part of the claimed design.

* cited by examiner

1 Claim, 5 Drawing Sheets



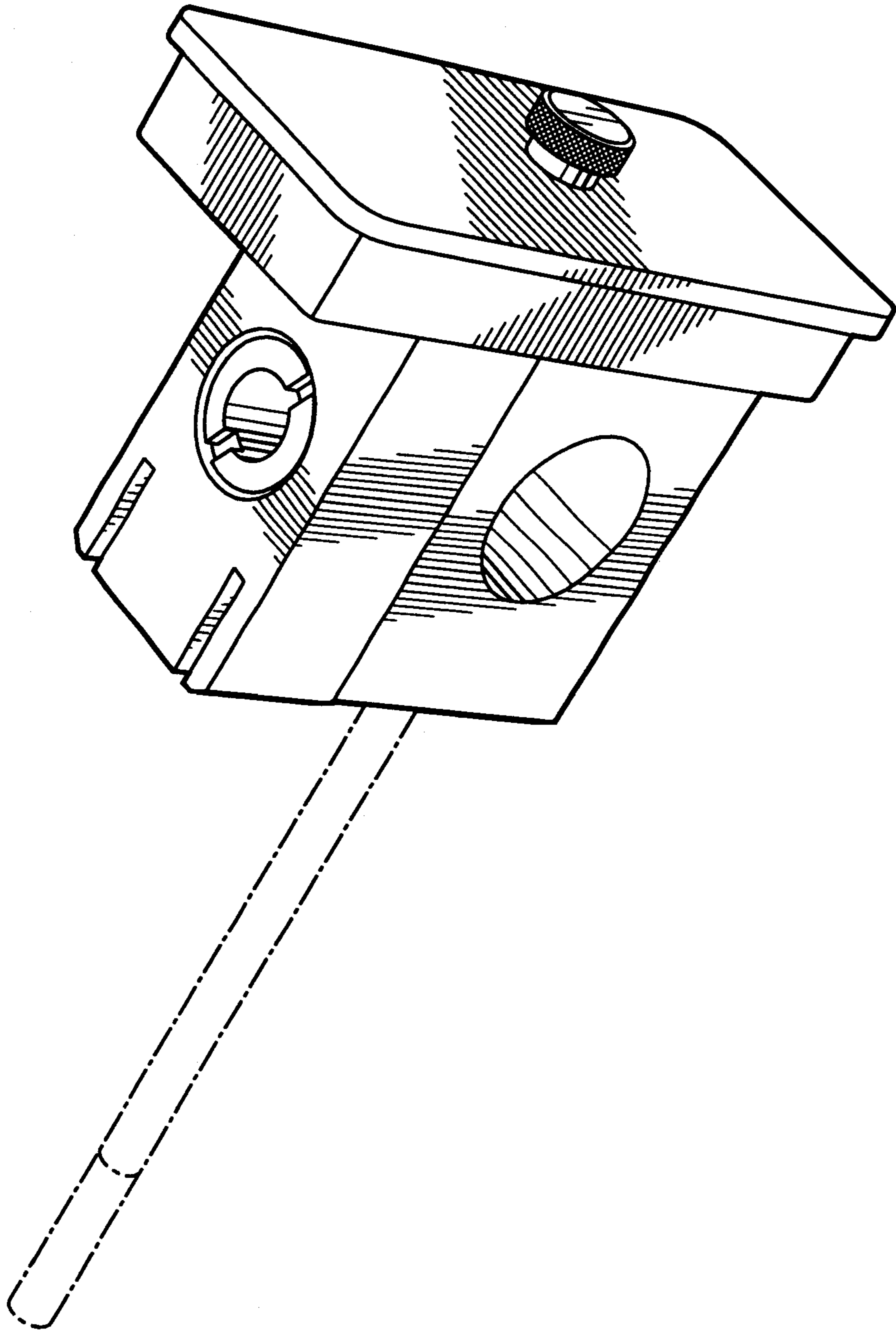


FIG. 1

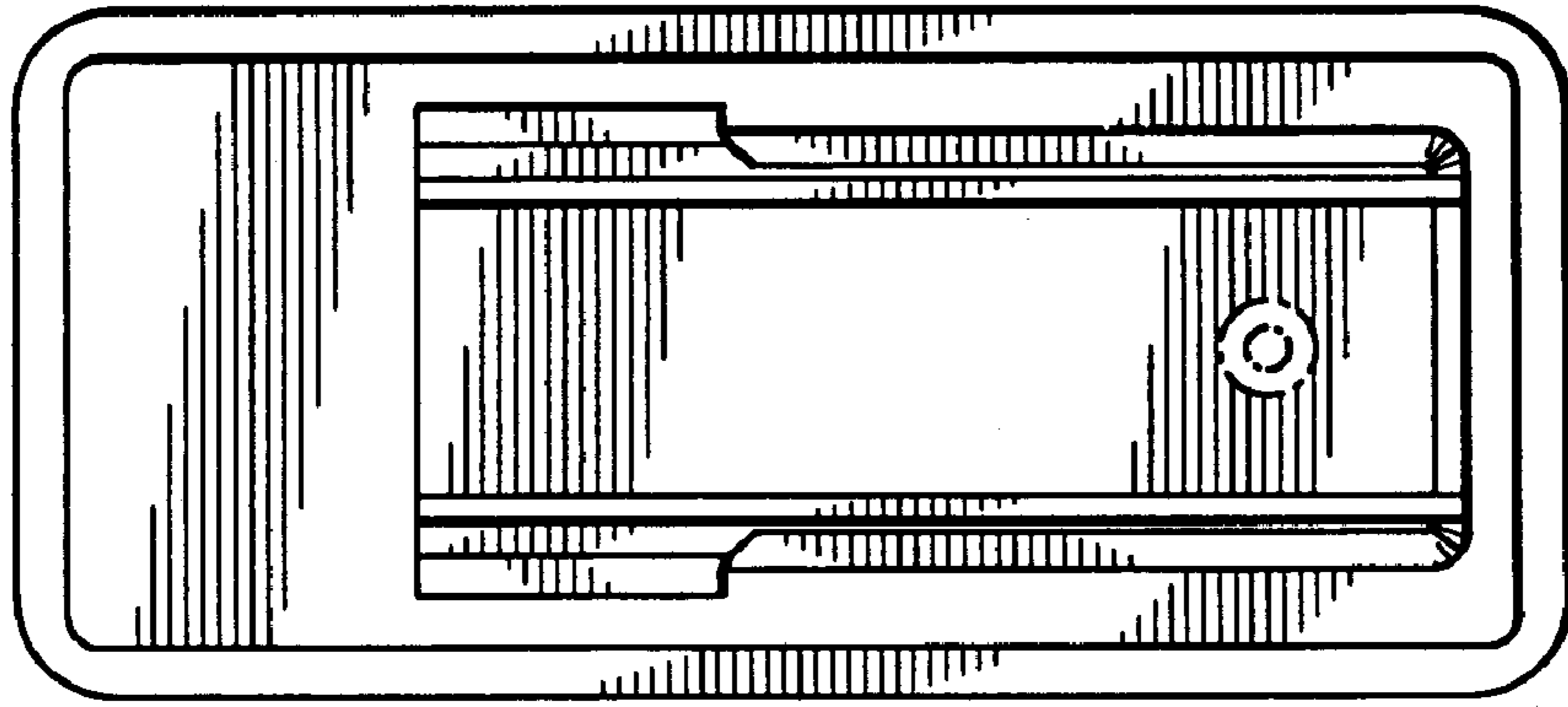


FIG. 3

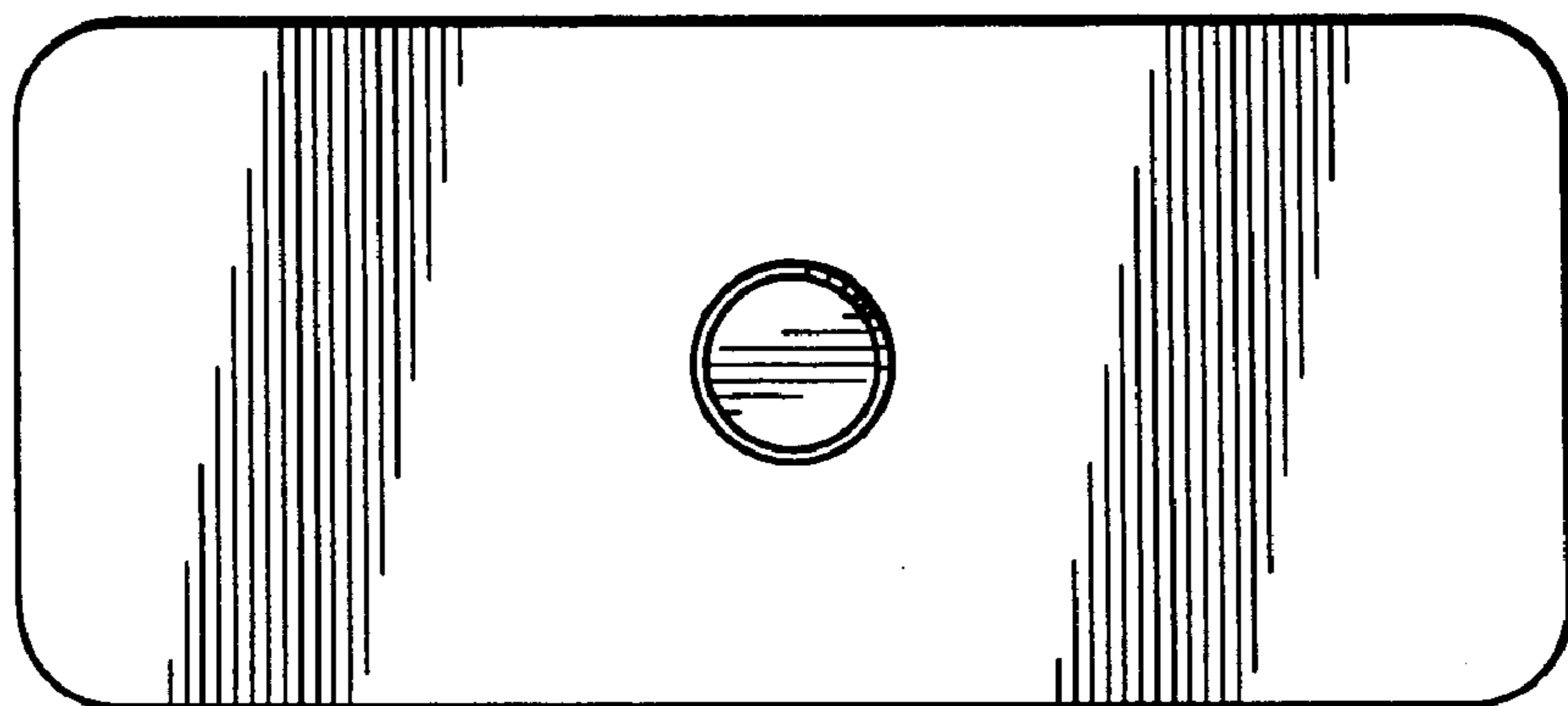


FIG. 2

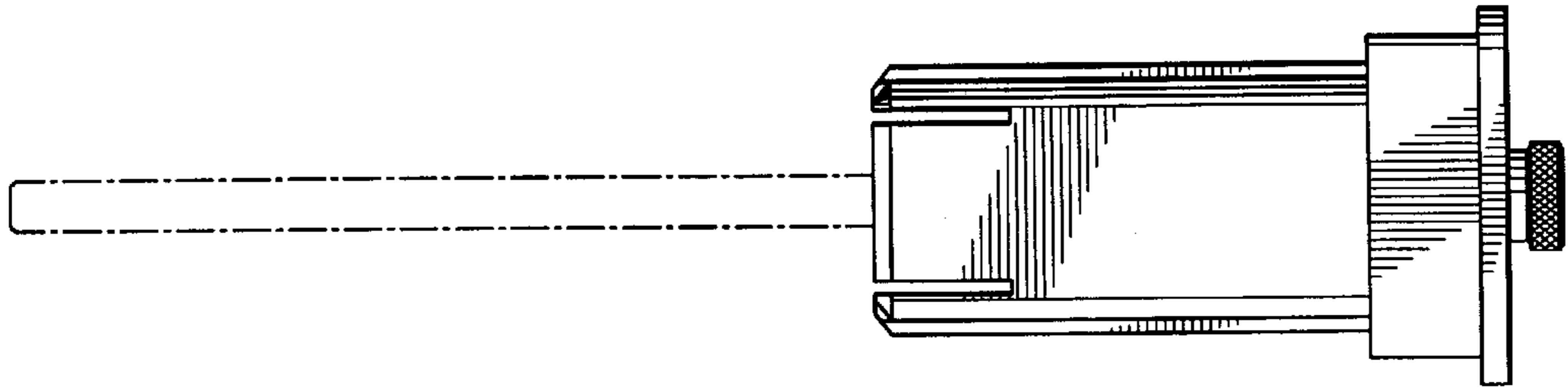


FIG. 5

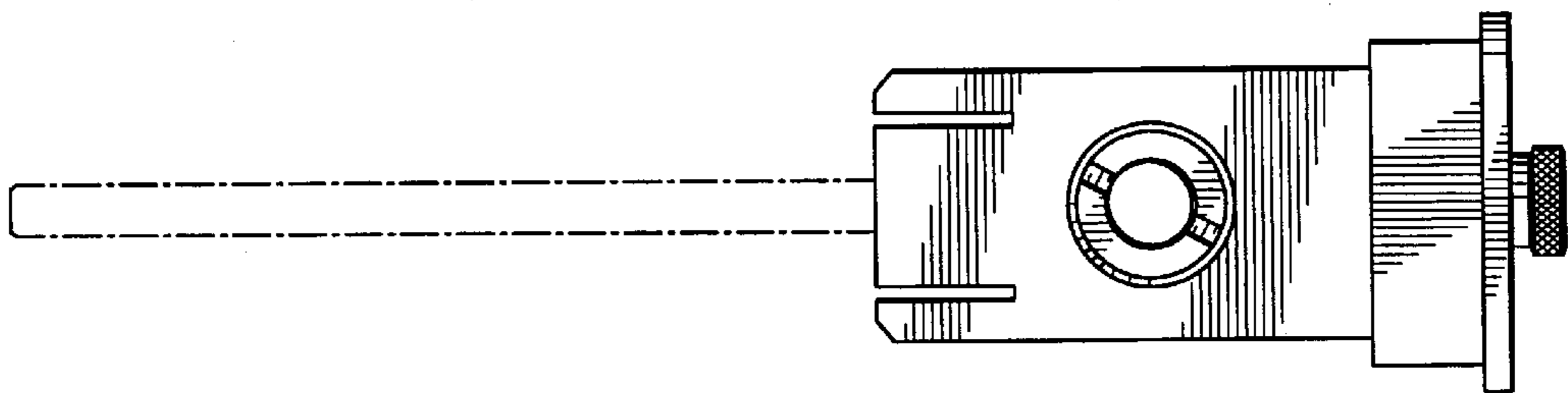


FIG. 4

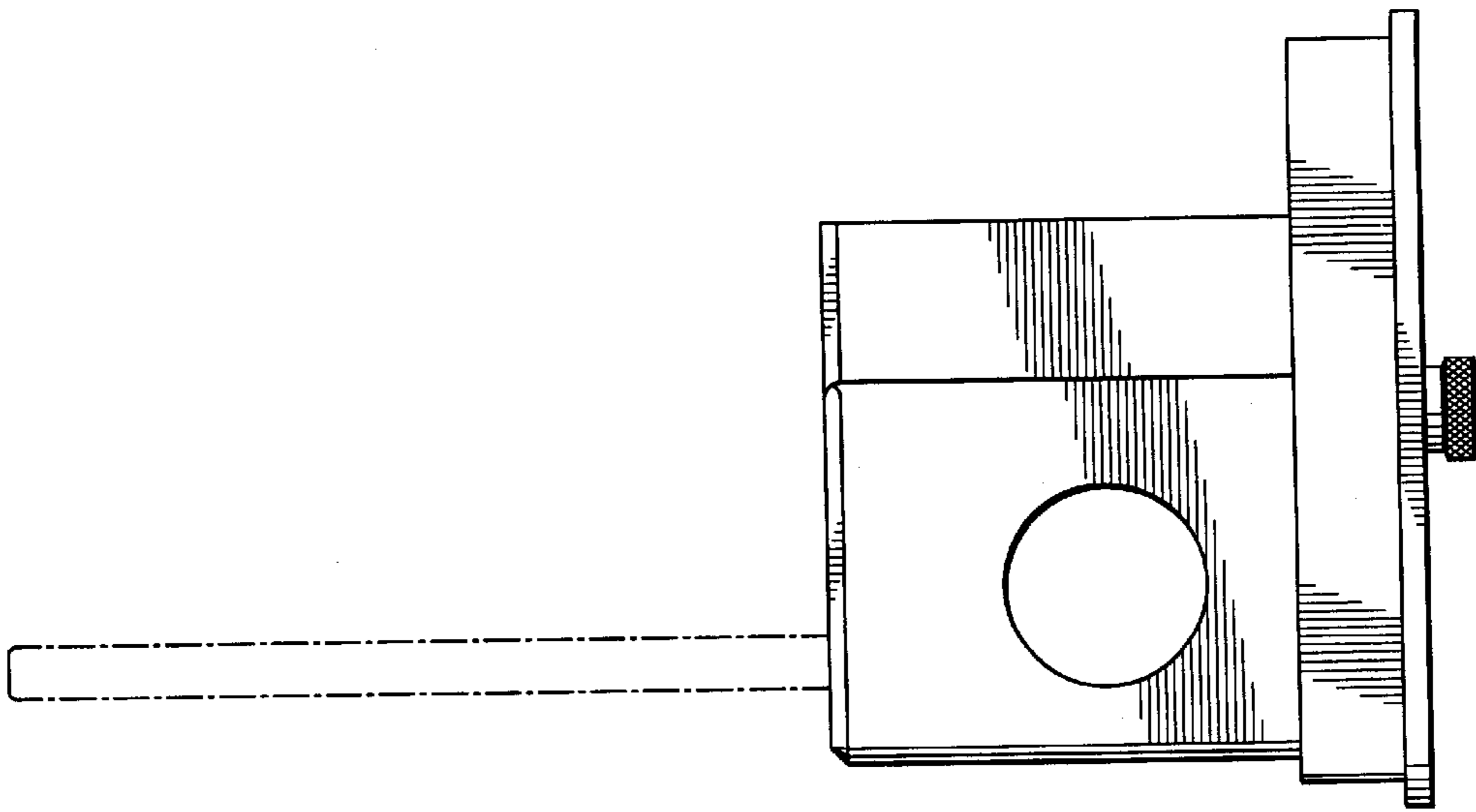


FIG. 6

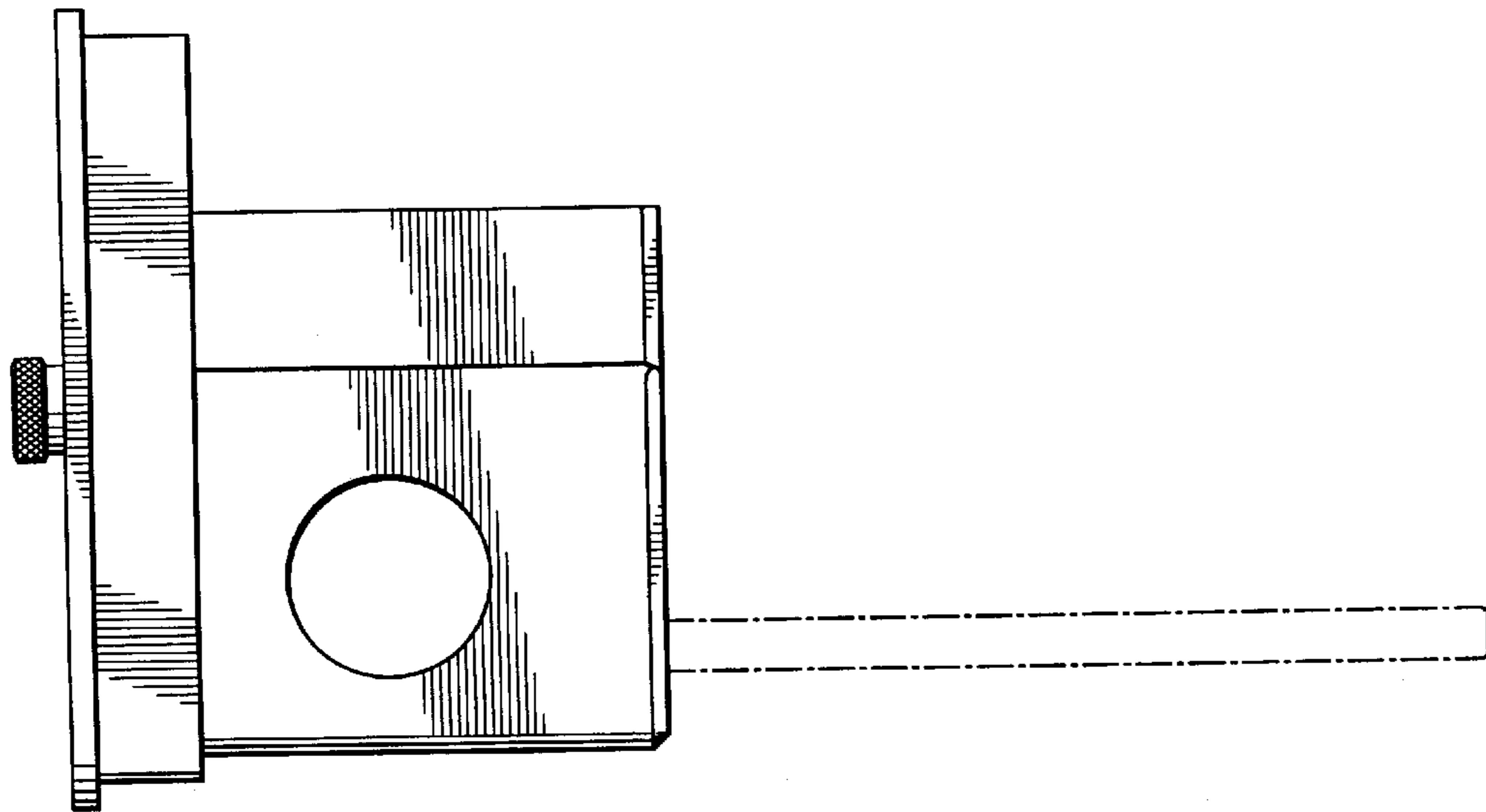


FIG. 7

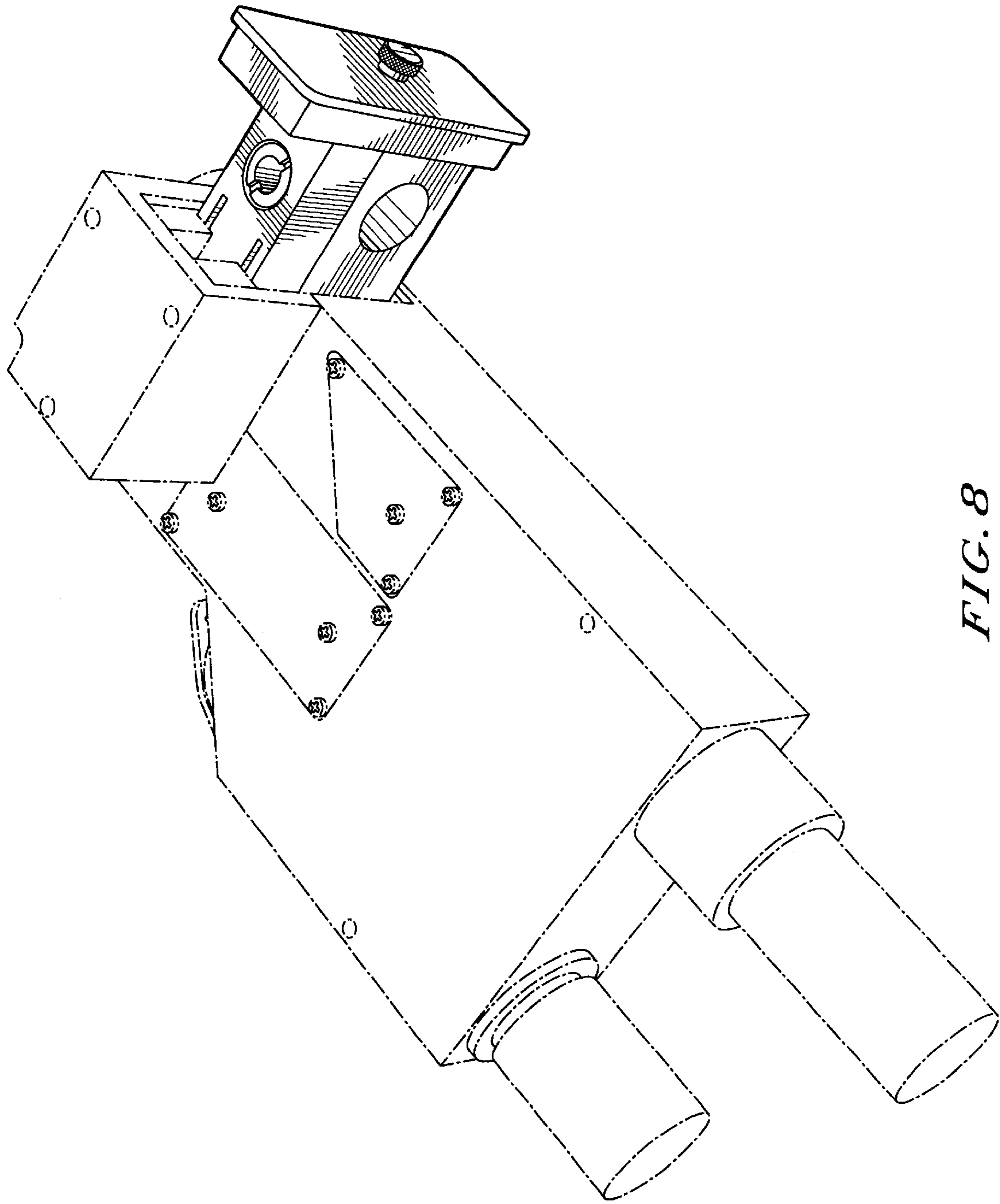


FIG. 8