



US00D449891B1

(12) **United States Design Patent**  
**Moro**

(10) **Patent No.:** **US D449,891 S**

(45) **Date of Patent:** **\*\* Oct. 30, 2001**

(54) **HOUSING FOR A BLOOD PRESSURE MEASURING DEVICE**

(75) Inventor: **Norio Moro**, Komoti (JP)

(73) Assignee: **Nihon Seimitsu Sokki Co., Ltd.**,  
Kitagunma-gun (JP)

(\*\*) Term: **14 Years**

(21) Appl. No.: **29/137,390**

(22) Filed: **Feb. 21, 2001**

(30) **Foreign Application Priority Data**

Aug. 22, 2000 (JP) ..... 12-023020

(51) **LOC (7) Cl.** ..... **24-01**

(52) **U.S. Cl.** ..... **D24/165**

(58) **Field of Search** ..... D24/165, 167;  
600/480, 481, 485, 479, 490, 493, 494,  
495

(56) **References Cited**

**U.S. PATENT DOCUMENTS**

- D. 283,916 \* 5/1986 Akiyama ..... D24/165
- D. 324,570 \* 3/1992 Arioka et al. .... D24/165
- D. 352,463 \* 11/1994 Kubo ..... D10/31
- D. 423,102 \* 4/2000 Mertenat ..... D24/169

D. 440,312 \* 4/2001 Bertrand et al. .... D24/169

\* cited by examiner

*Primary Examiner*—Stella Reid

(74) *Attorney, Agent, or Firm*—Venable; Robert J. Frank

(57) **CLAIM**

I claim the ornamental design for the housing for a blood pressure measuring device, as shown and described.

**DESCRIPTION**

FIG. 1 is a perspective view of a first embodiment of my housing for a blood pressure measuring device including a memory select switch;

FIG. 2 is a top view of the first embodiment;

FIG. 3 is a bottom view of the first embodiment;

FIG. 4 is a front view of the first embodiment;

FIG. 5 is a rear view of the first embodiment;

FIG. 6 is a right side view of the first embodiment;

FIG. 7 is a left side view of the first embodiment;

FIG. 8 is a perspective view of a second embodiment of my invention without a memory select switch;

FIG. 9 is a top view of the second embodiment;

FIG. 10 is a bottom view of the second embodiment;

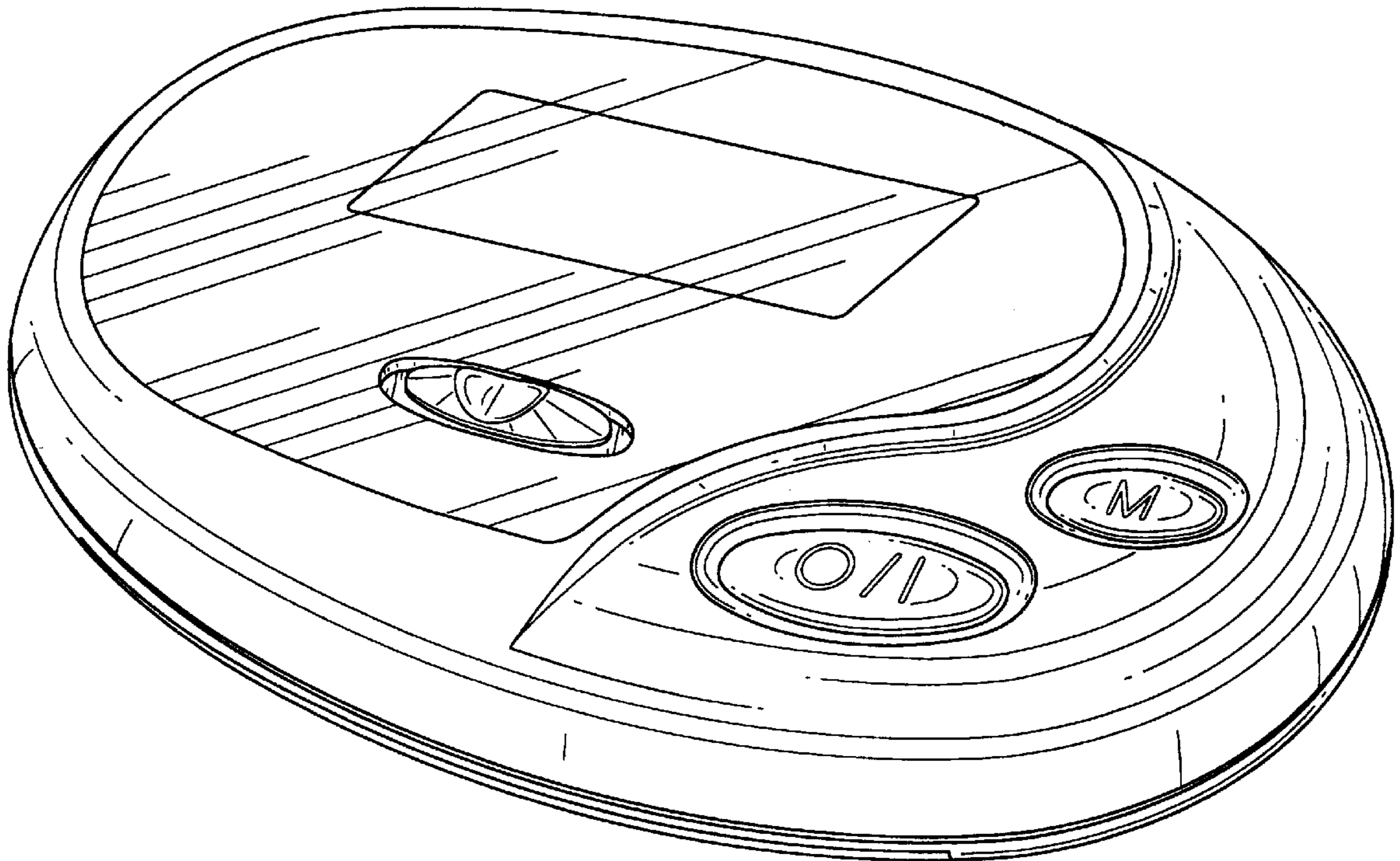
FIG. 11 is a front view of the second embodiment;

FIG. 12 is a rear view of the second embodiment;

FIG. 13 is a right side view of the second embodiment; and,

FIG. 14 is a left side view of the second embodiment.

**1 Claim, 8 Drawing Sheets**



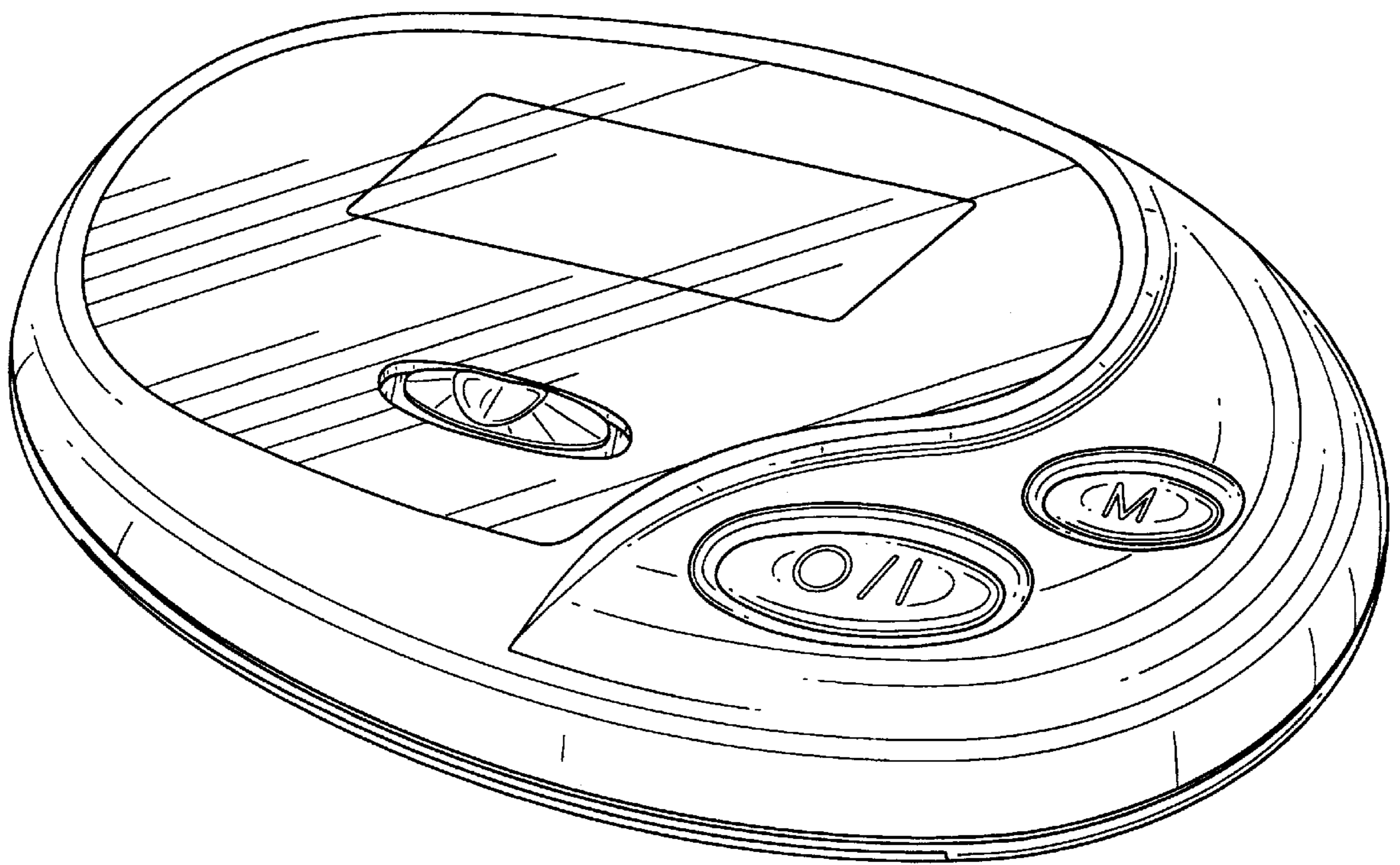


FIG. 1

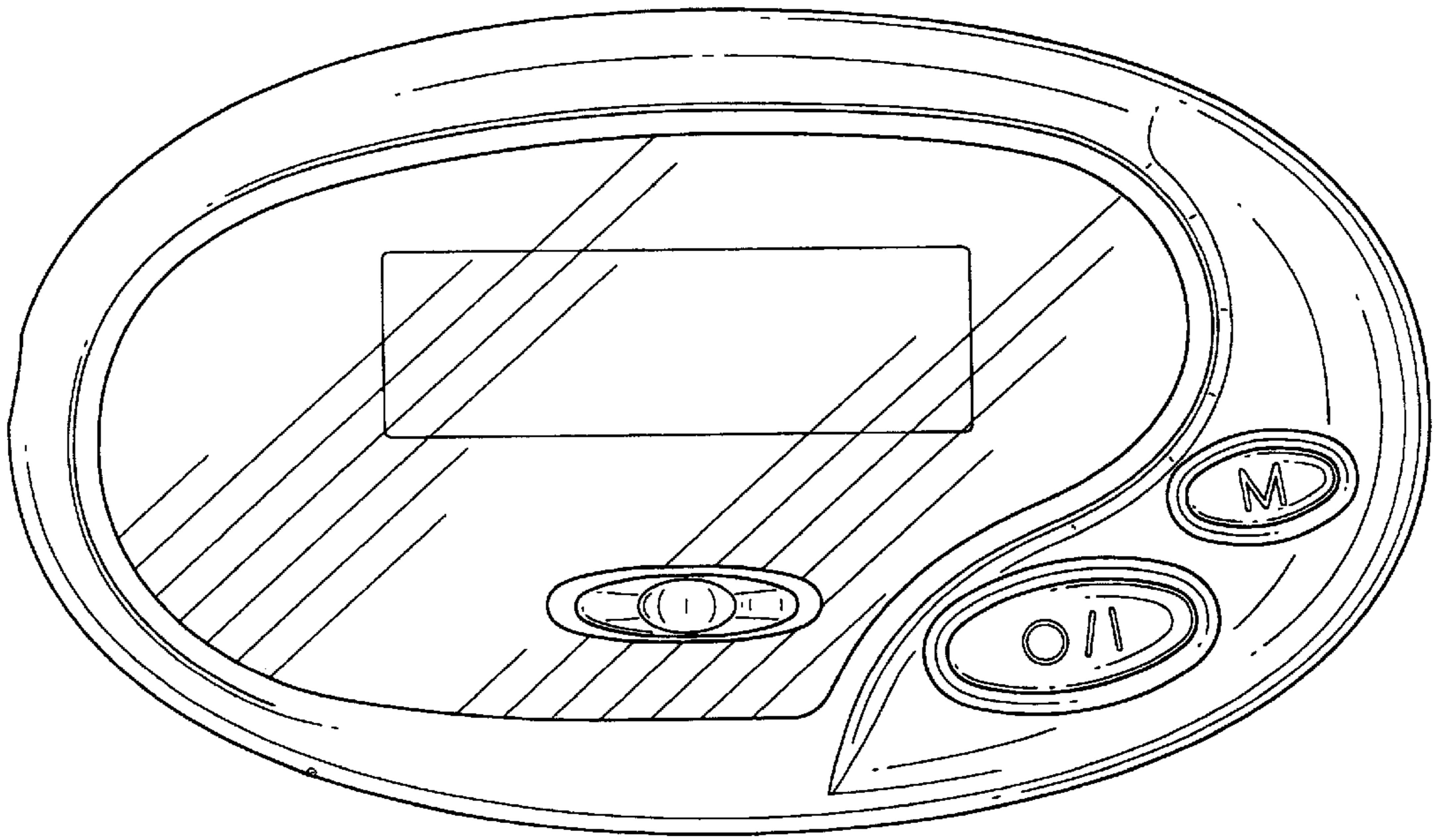


FIG. 2

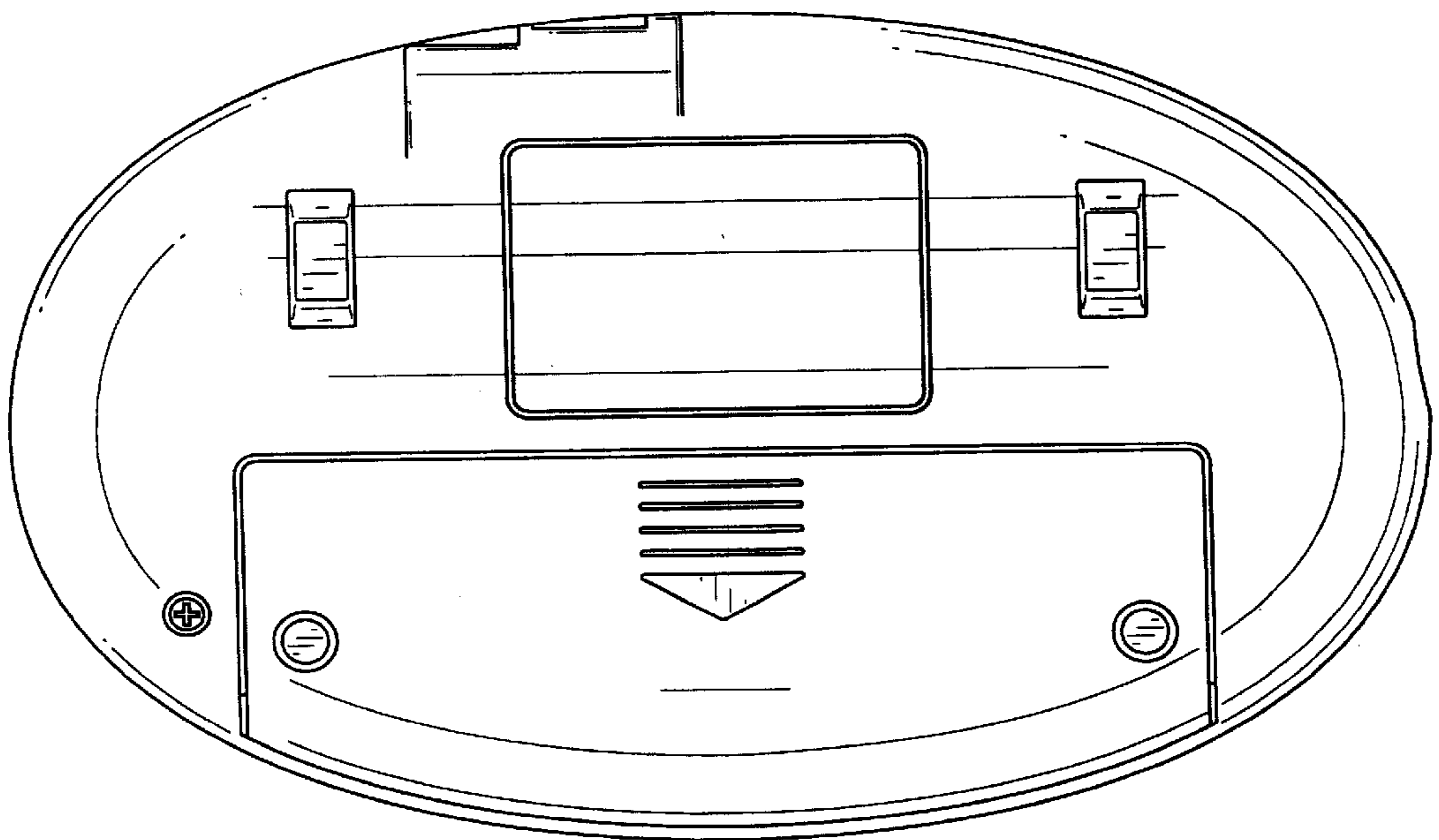


FIG. 3

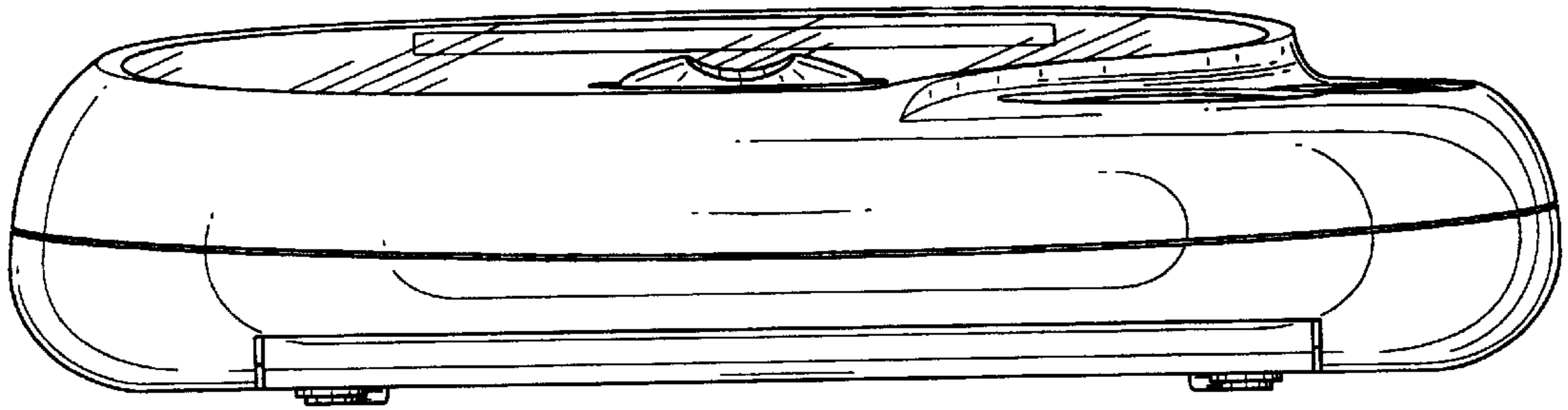


FIG. 4

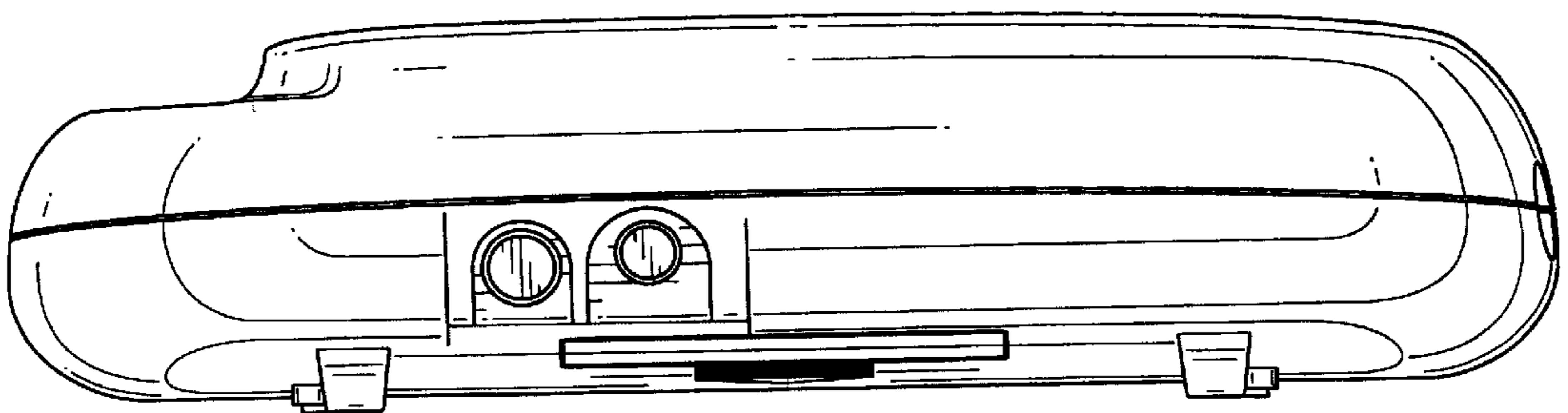


FIG. 5

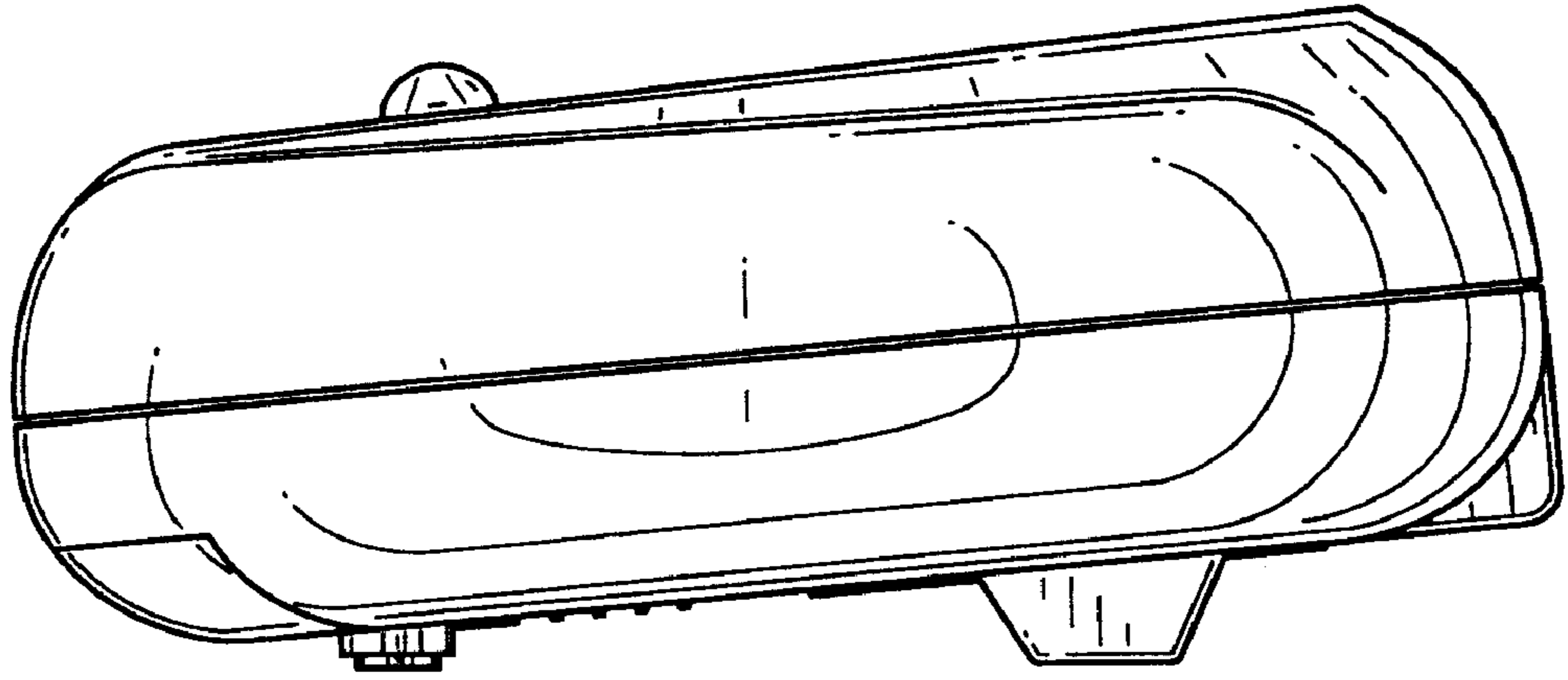


FIG. 6

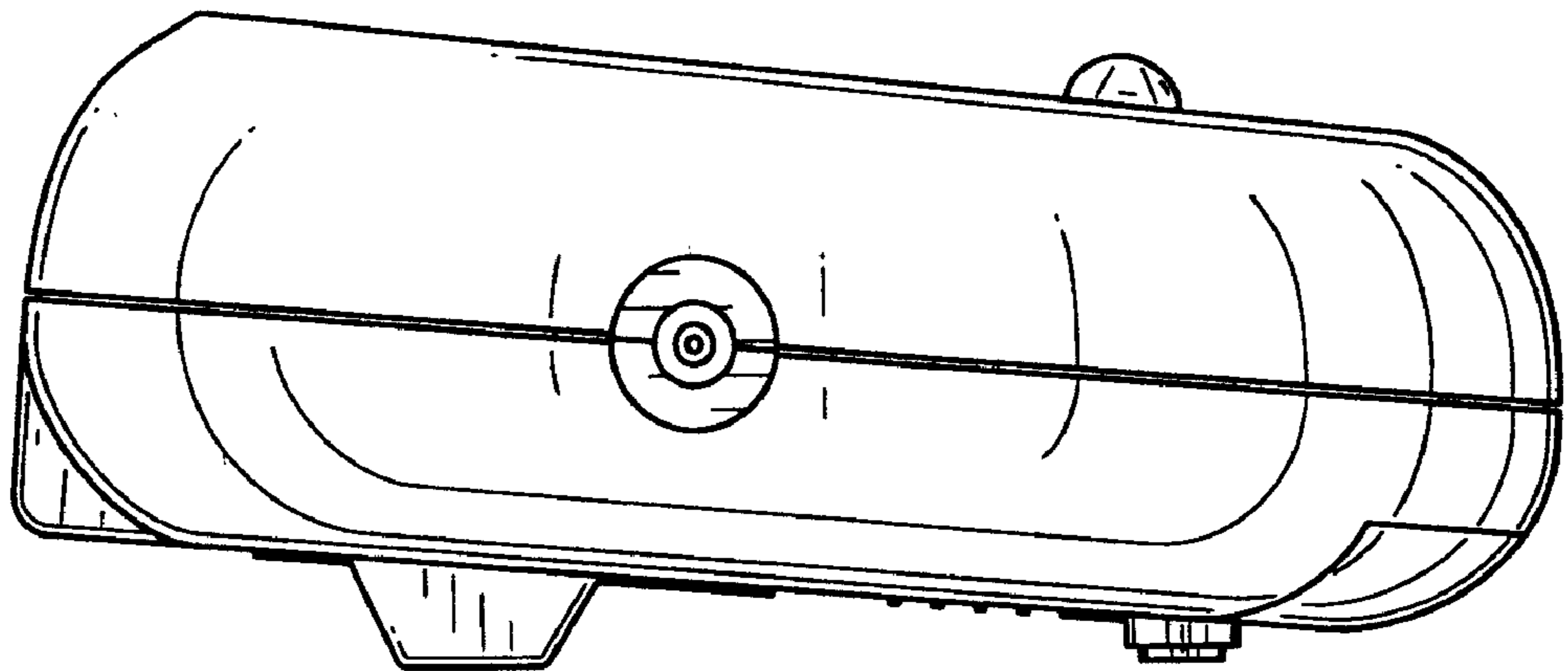


FIG. 7

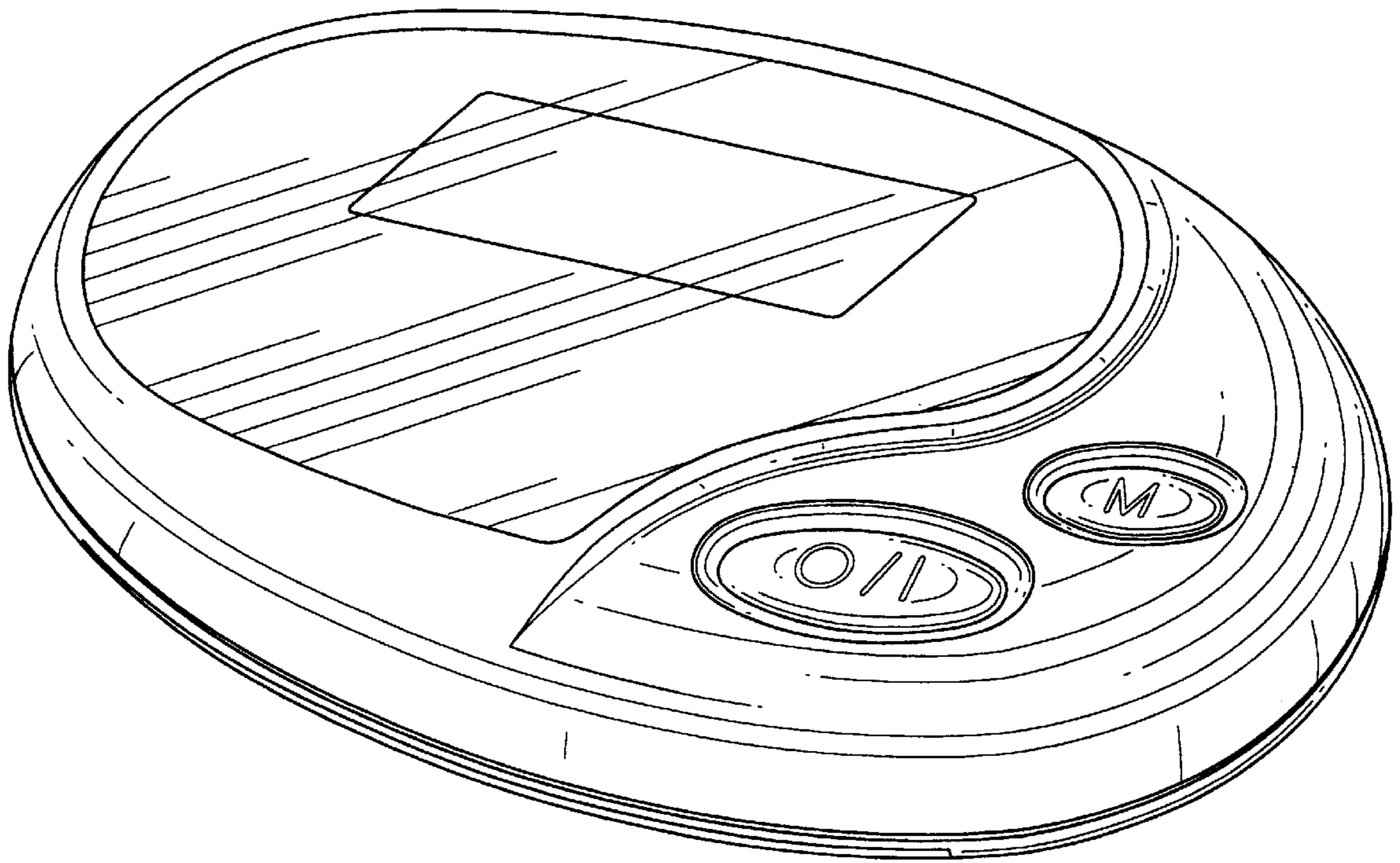


FIG. 8

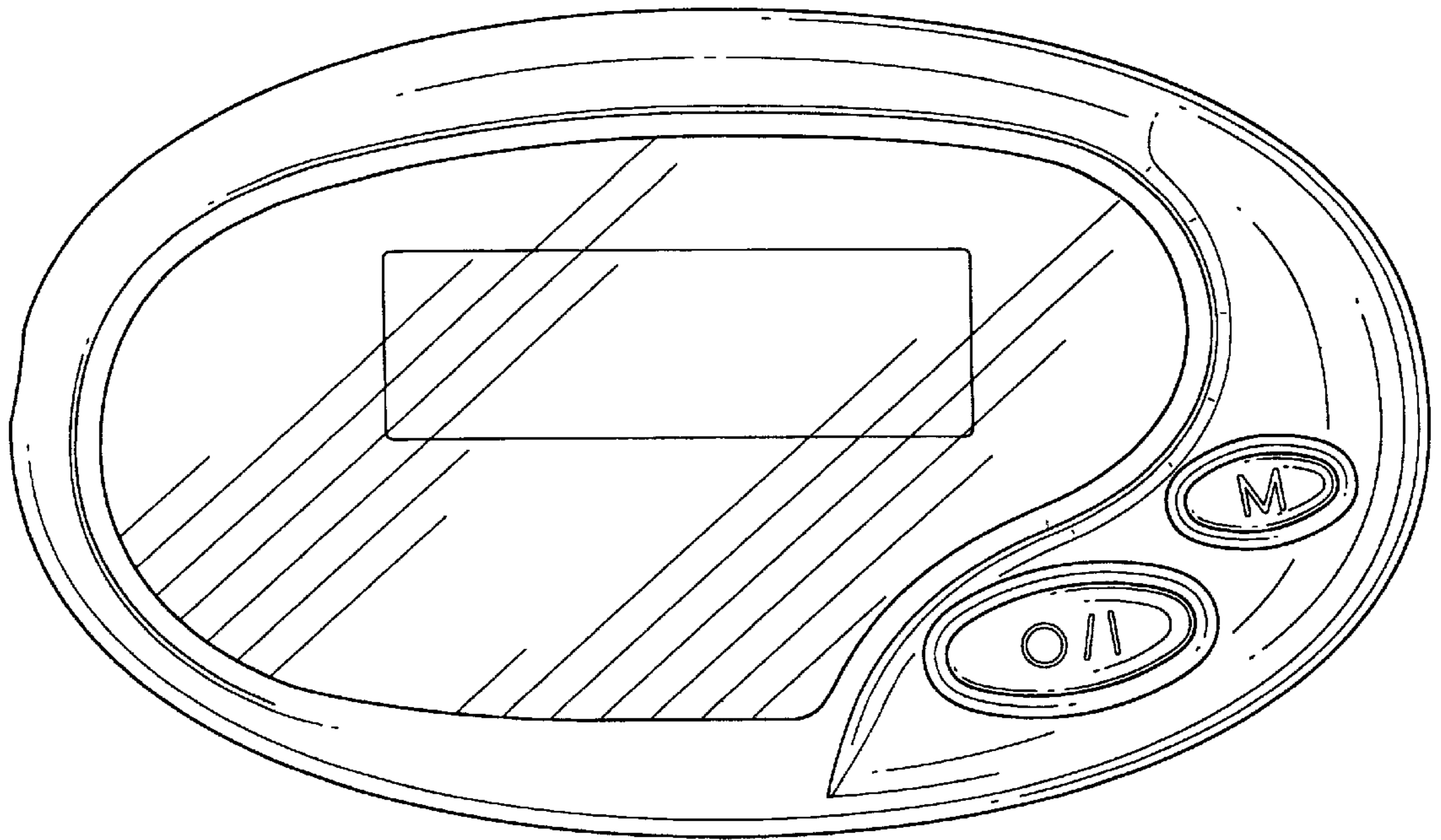


FIG. 9

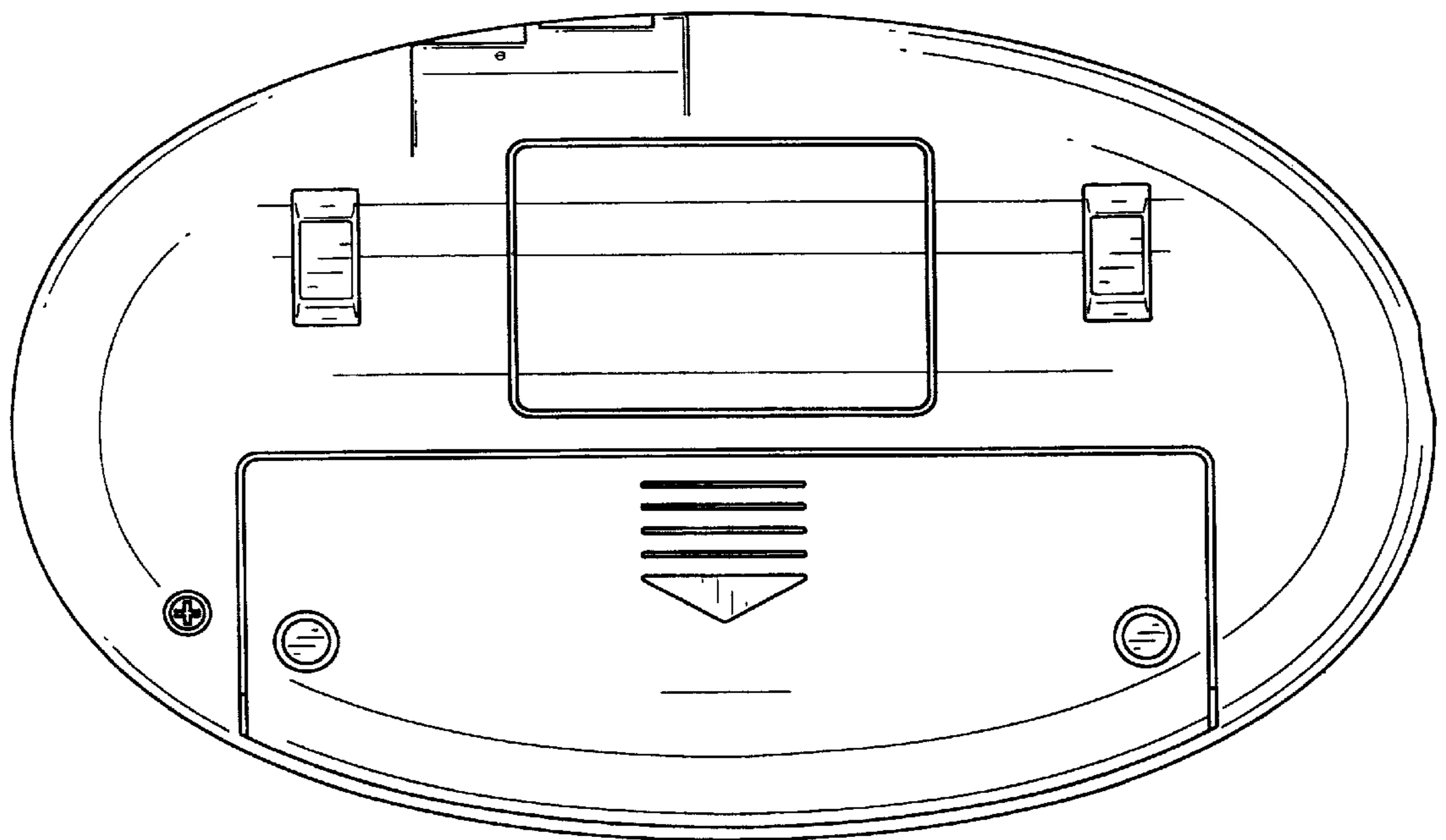


FIG. 10

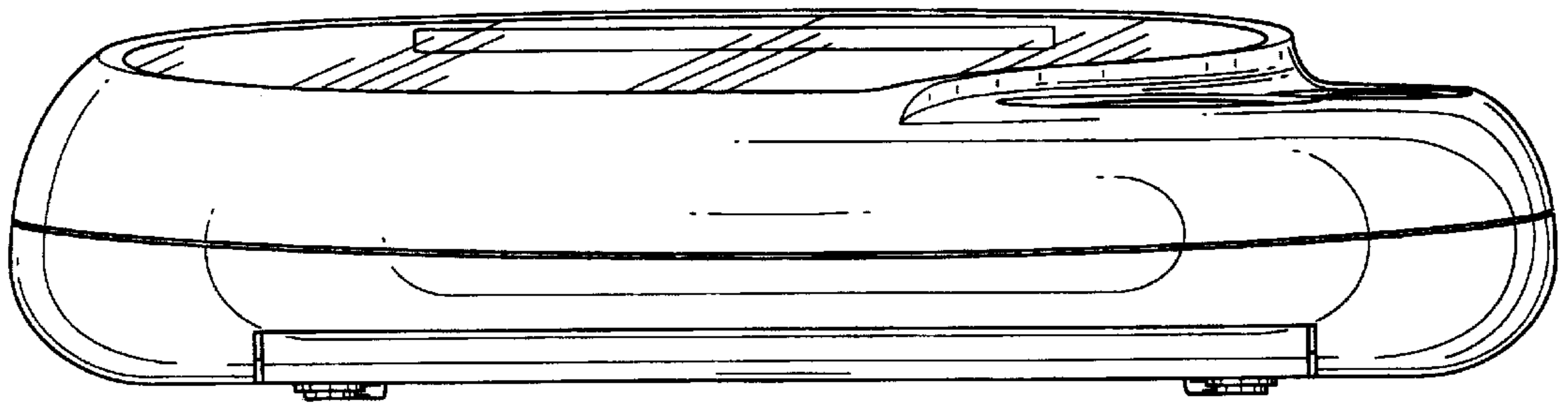


FIG. 11

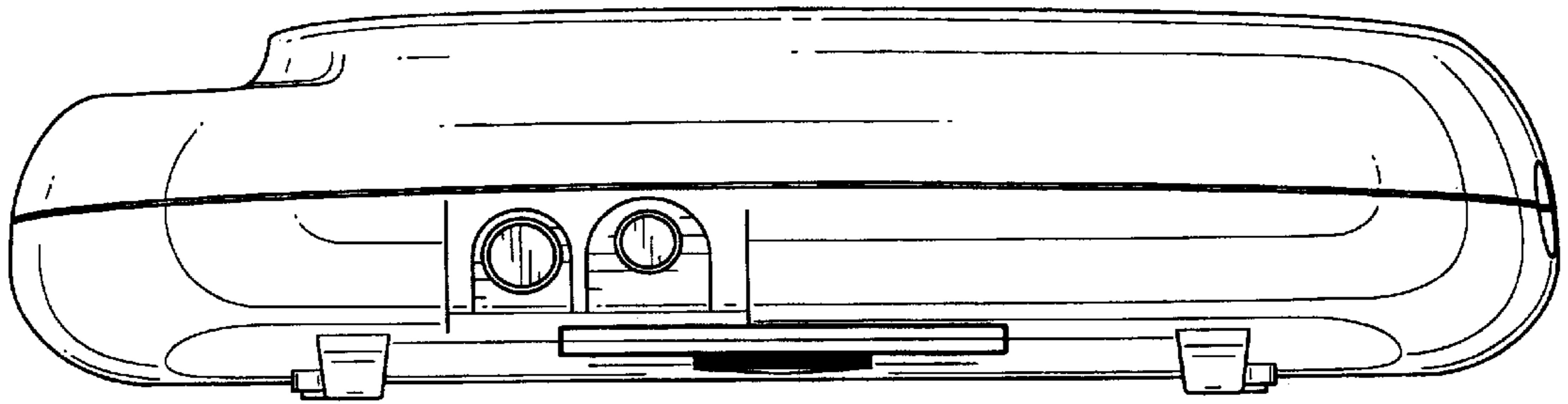


FIG. 12



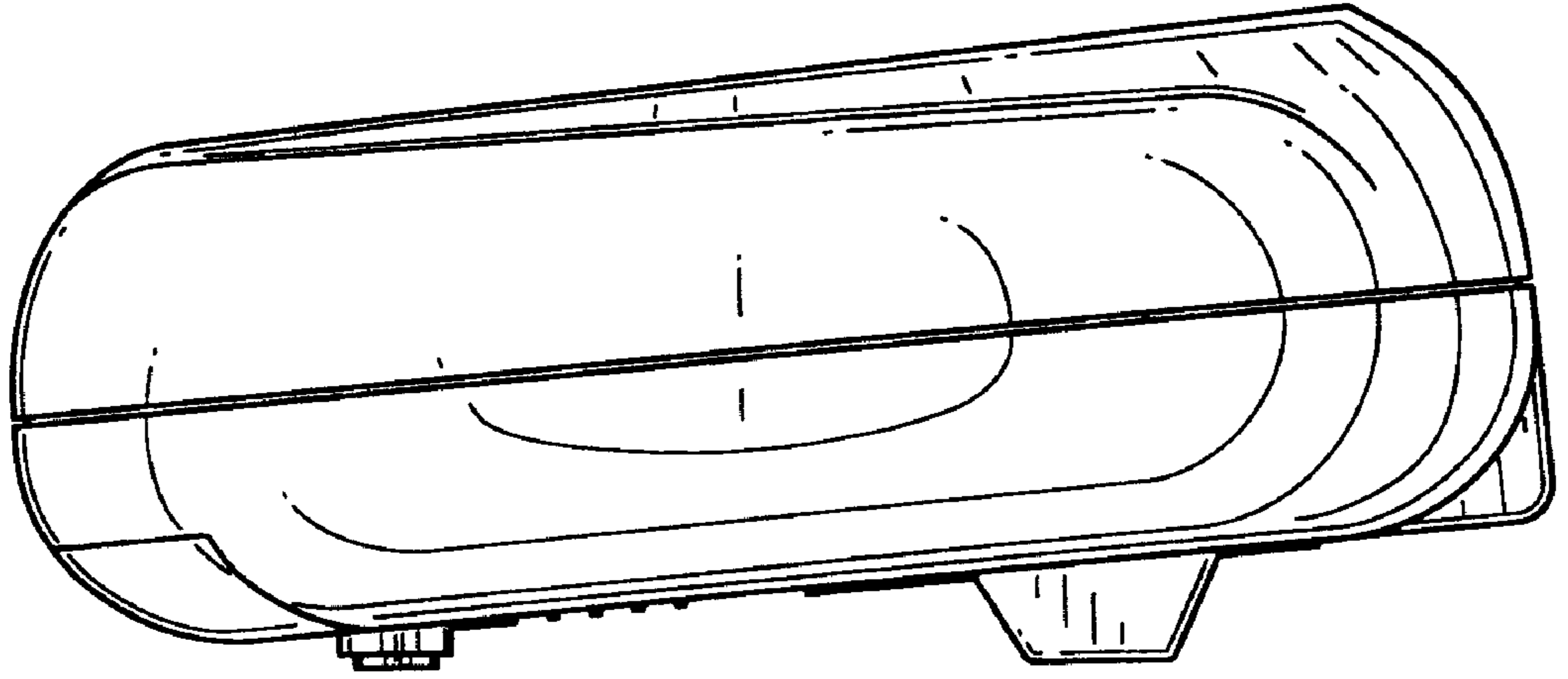


FIG. 13

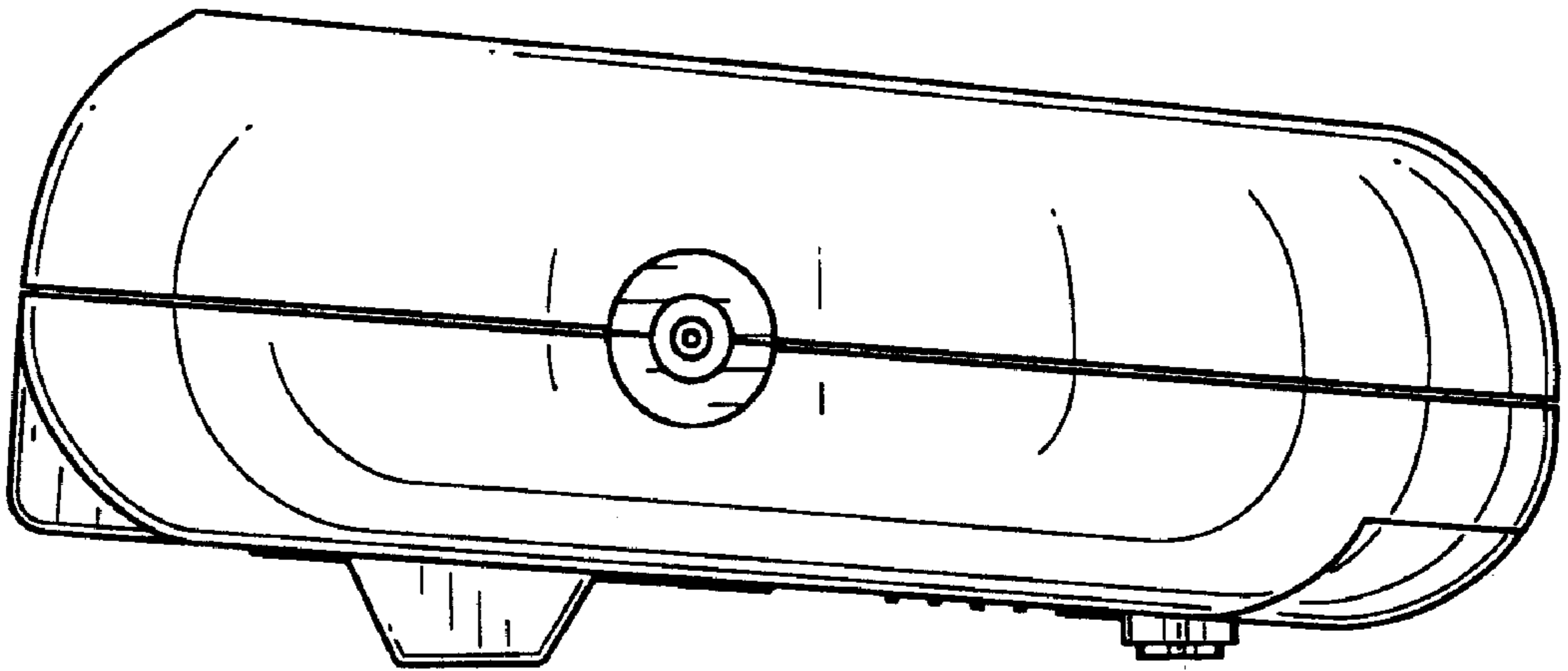


FIG. 14