



US00D449889B1

(12) **United States Design Patent**
Bischoff

(10) **Patent No.:** **US D449,889 S**

(45) **Date of Patent:** **** Oct. 30, 2001**

(54) **TRAINING APPARATUS FOR BREATHING EXERCISES**

4,991,576 * 2/1991 Henkin et al. 128/203.28
5,233,977 * 8/1993 Blankenship et al. 128/205.13
5,975,078 * 11/1999 Pauley 128/205.23

(75) Inventor: **Fredi Bischoff**, Zurich (CH)

* cited by examiner

(73) Assignee: **IDIAG**, Volketswil (CH)

Primary Examiner—Stella Reid

(**) Term: **14 Years**

(74) *Attorney, Agent, or Firm*—Notaro & Michalos P.C.

(21) Appl. No.: **29/137,423**

(57) **CLAIM**

(22) Filed: **Feb. 21, 2001**

The original design for a training apparatus for breathing exercises, as shown and described.

(30) **Foreign Application Priority Data**

DESCRIPTION

Sep. 27, 2000 (XH) DM/053348

FIG. 1 is a front, top, right perspective view of a training apparatus for breathing exercises;

(51) **LOC (7) Cl.** **24-04**

FIG. 2 is a right side elevational view thereof;

(52) **U.S. Cl.** **D24/164**

FIG. 3 is a front side elevational view thereof;

(58) **Field of Search** D24/164; 128/205.13,
128/205.14, 205.17

FIG. 4 is a rear elevational view thereof;

(56) **References Cited**

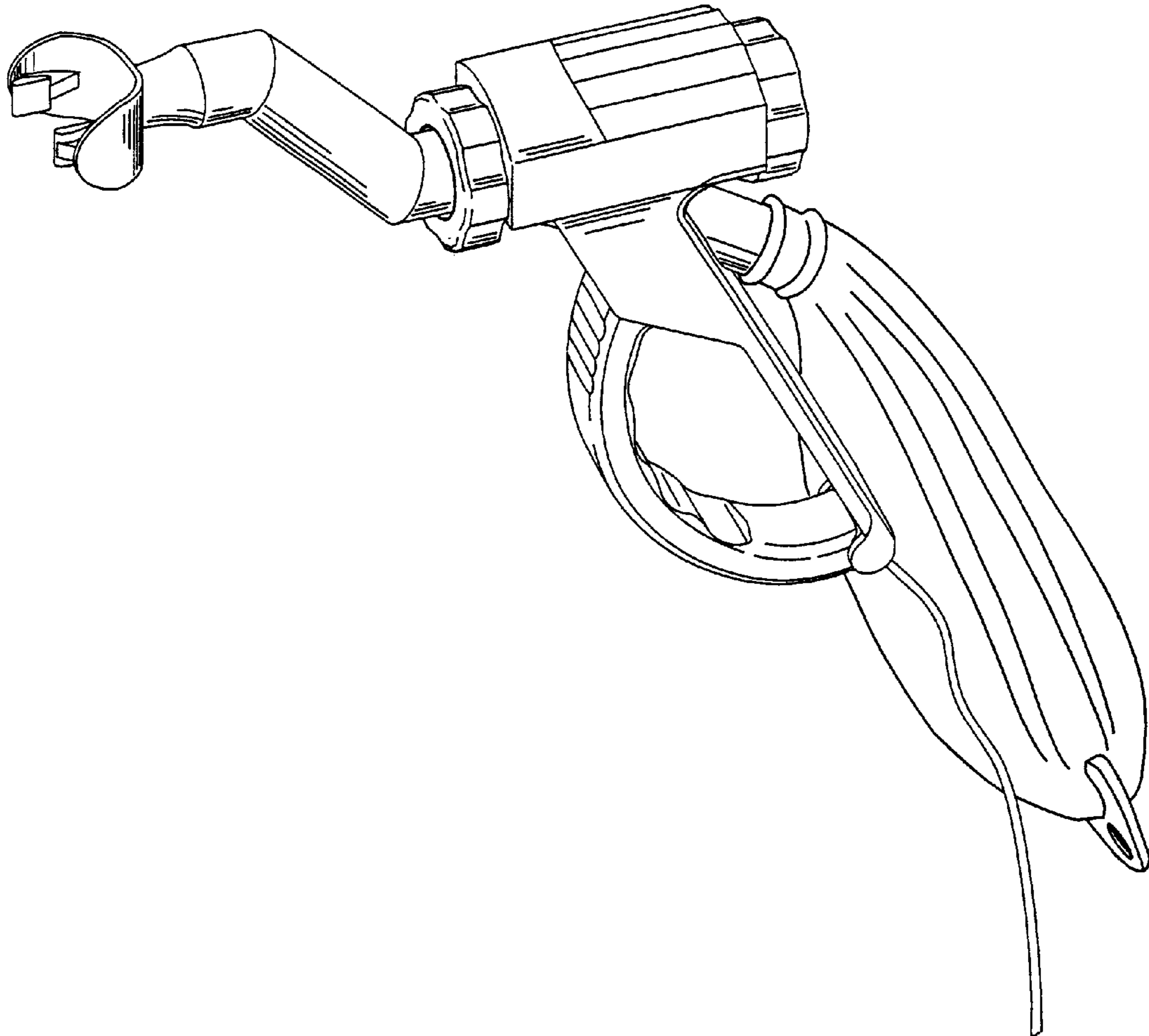
FIG. 5 is a top plan view thereof; and,

FIG. 6 is a bottom plan view thereof.

U.S. PATENT DOCUMENTS

D. 344,337 * 2/1994 Mayer D24/164

1 Claim, 6 Drawing Sheets



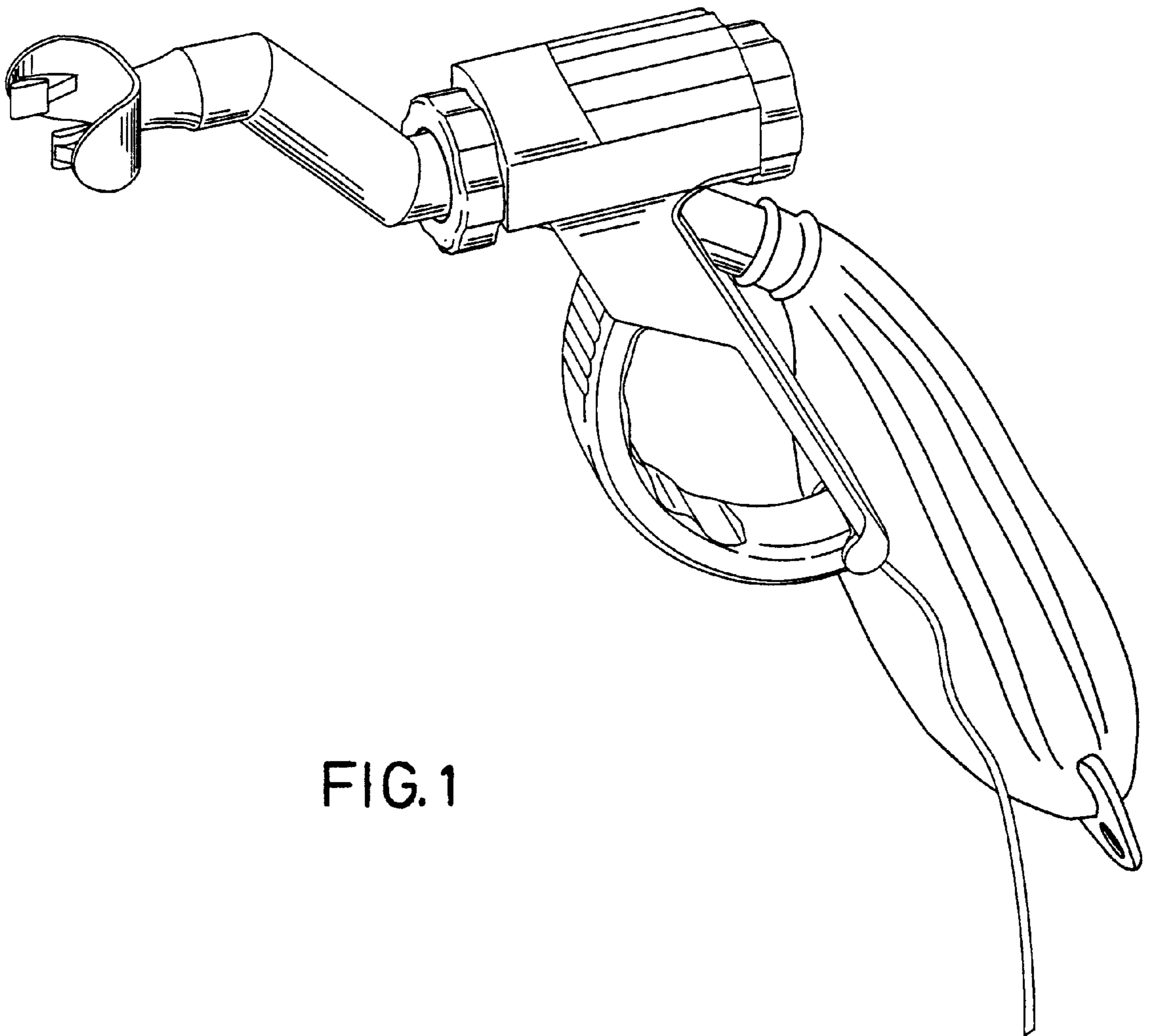


FIG. 1

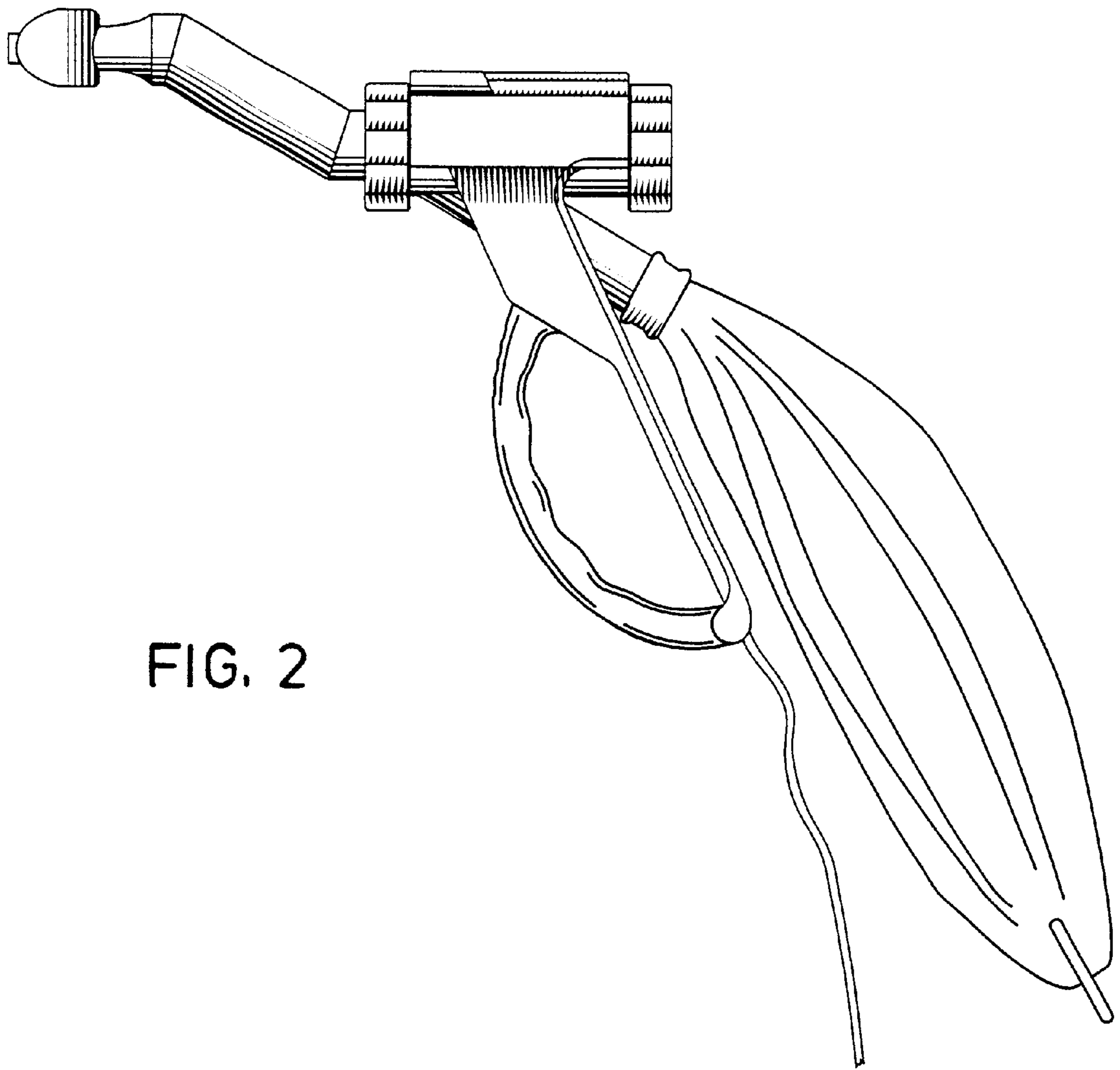


FIG. 2

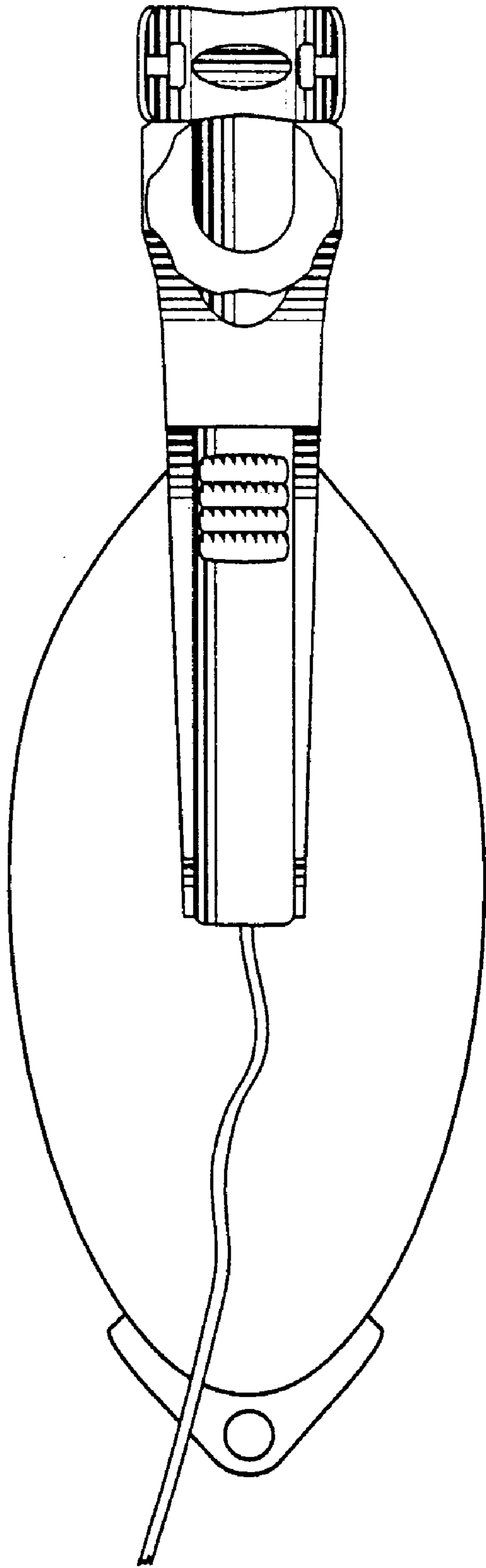


FIG. 3

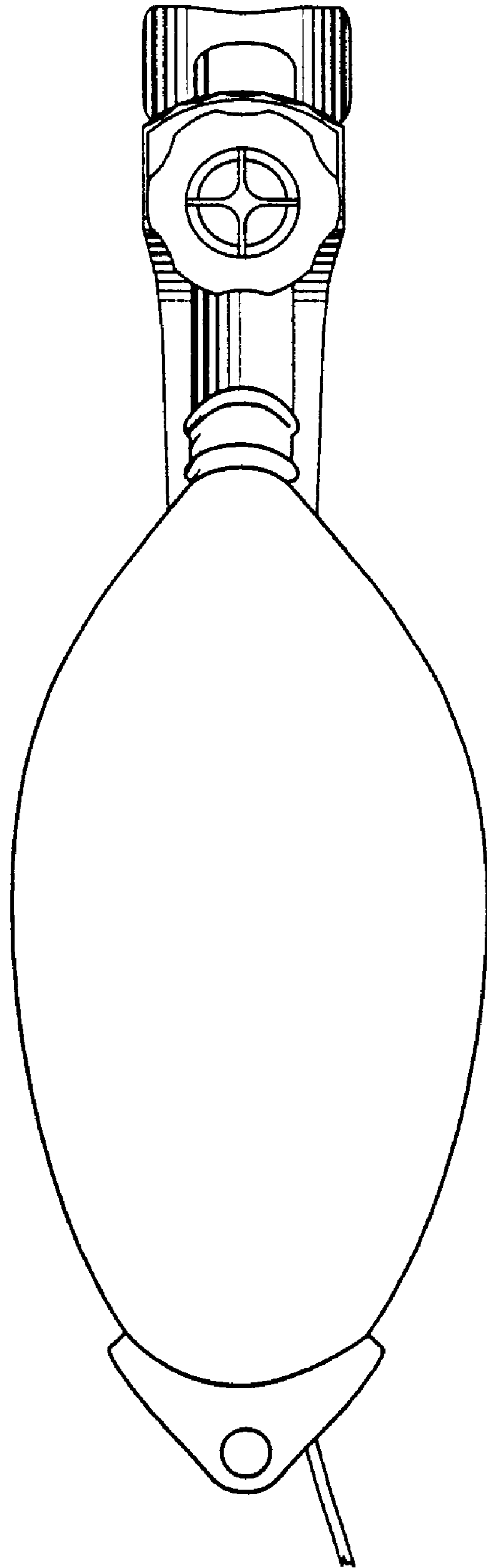


FIG. 4

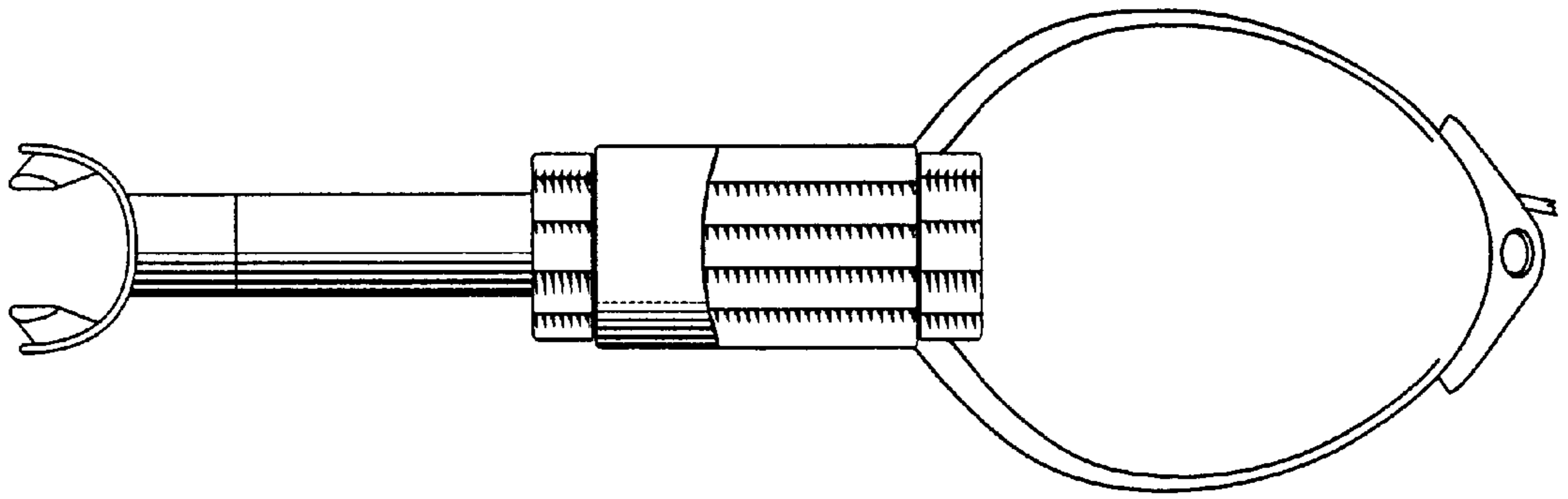


FIG. 5

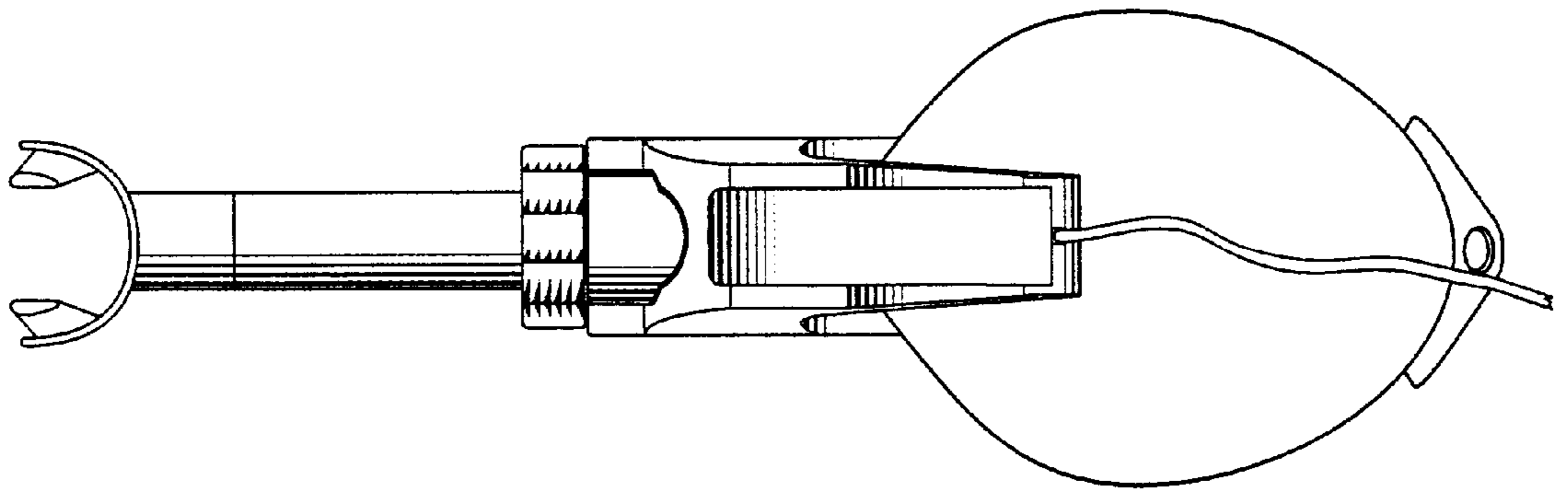


FIG. 6