



US00D449884B1

(12) **United States Design Patent**  
**Tobin et al.**

(10) **Patent No.:** **US D449,884 S**

(45) **Date of Patent:** **\*\* Oct. 30, 2001**

(54) **ORAL IRRIGATOR**

(75) Inventors: **Richard Neil Tobin**, Stamford; **Chad Edward Aulwes**, East Norwalk, both of CT (US)

(73) Assignee: **Conair Corporation**, Stamford, CT (US)

(\*\*) Term: **14 Years**

(21) Appl. No.: **29/134,391**

(22) Filed: **Dec. 20, 2000**

(51) **LOC (7) Cl.** ..... **24-02**

(52) **U.S. Cl.** ..... **D24/111**

(58) **Field of Search** ..... D24/111, 152, D24/176; 433/88, 100, 81, 82, 84, 85; 601/160, 162, 161, 163, 165, 164

(56) **References Cited**

**U.S. PATENT DOCUMENTS**

D. 356,864	*	3/1995	Woog	.....	D24/111
D. 426,633	*	6/2000	Bachman et al.	.....	D24/111
3,703,170		11/1972	Ryckman, Jr.	.....	128/66
3,820,532		6/1974	Eberhardt et al.	.....	128/66
3,973,558		8/1976	Stouffer et al.	.....	128/66
4,078,558		3/1978	Woog et al.	.....	128/66
4,141,352		2/1979	Ebner et al.	.....	128/62 A

4,159,715	*	7/1979	Woog et al.	.....	601/162
4,416,628		11/1983	Cammack et al.	.....	433/80
4,442,830		4/1984	Markau	.....	128/66
4,564,005		1/1986	Marchand et al.	.....	128/66
4,979,504		12/1990	Mills	.....	128/66
4,989,590	*	2/1991	Baum et al.	.....	601/163
5,399,089	*	3/1995	Eichman et al.	.....	433/80

\* cited by examiner

*Primary Examiner*—Ian Simmons

(74) *Attorney, Agent, or Firm*—Ohlandt, Greeley, Ruggiero & Perle, LLP

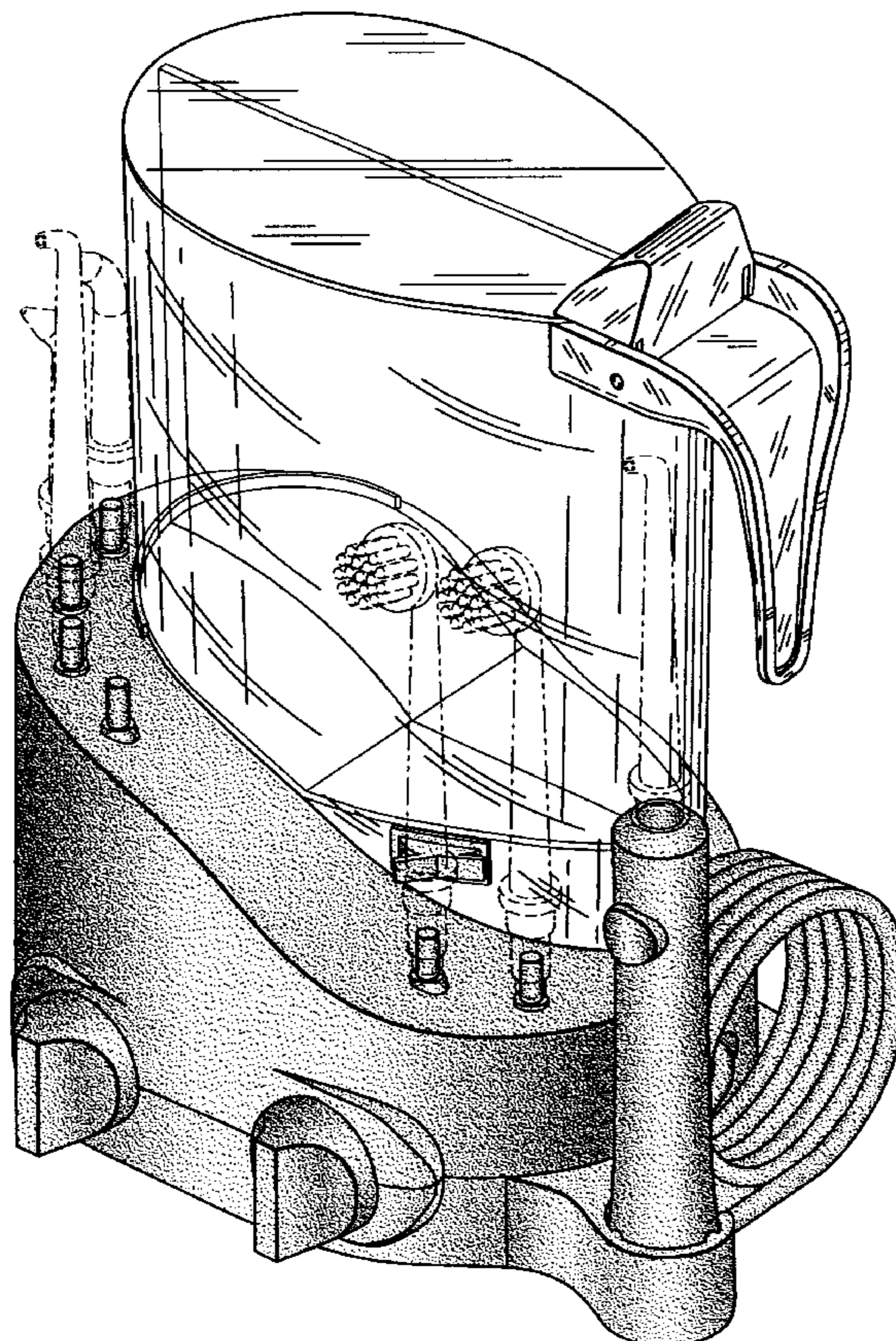
(57) **CLAIM**

The ornamental design for an oral irrigator, as shown and described.

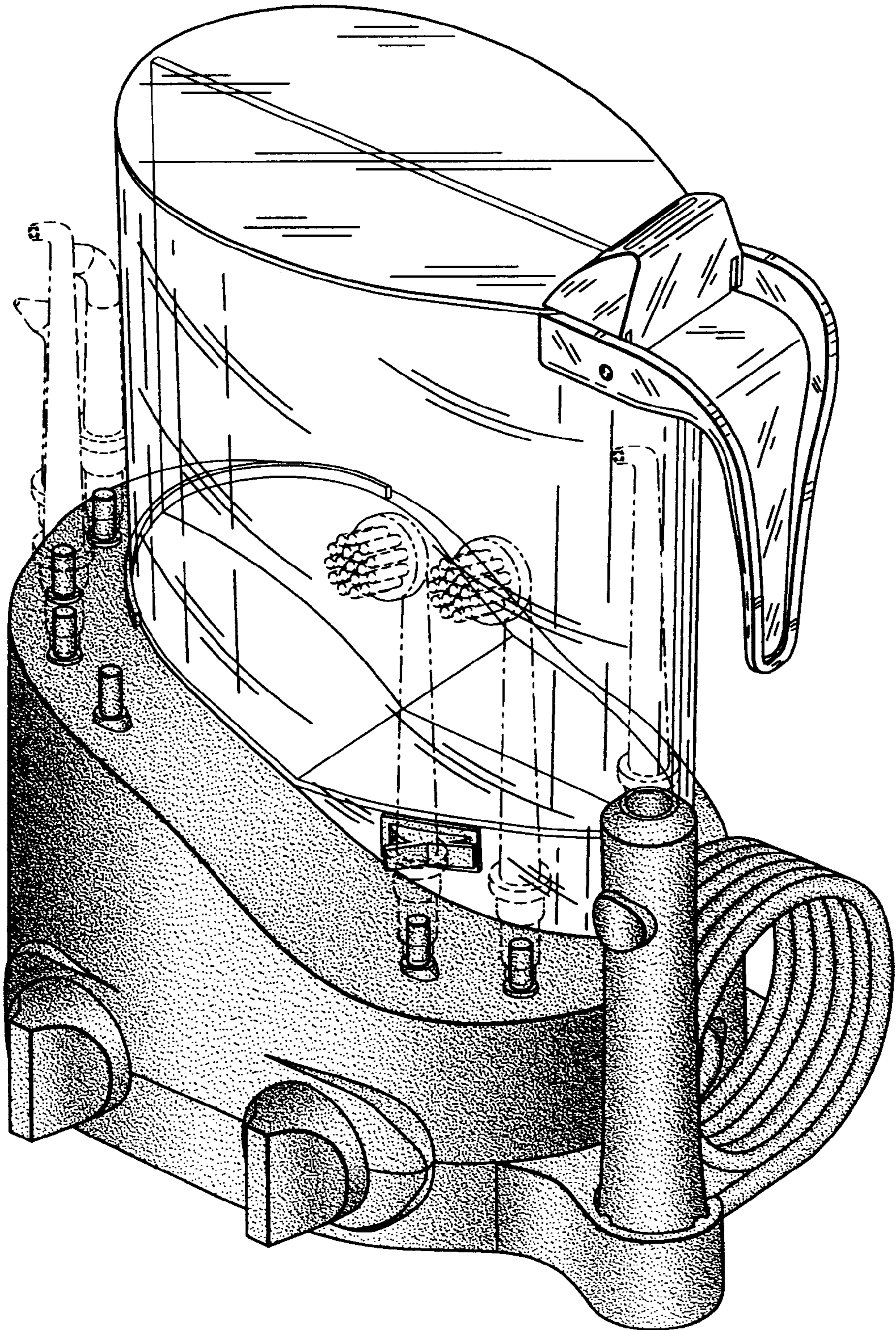
**DESCRIPTION**

FIG. 1 is a perspective view of an oral irrigator showing our new design, the broken line showing is for illustrative purposes only and forms no part of the claimed design; FIG. 2 is a front view of the oral irrigator of FIG. 1; FIG. 3 is a rear view of the oral irrigator of FIG. 1; FIG. 4 is a first side view of the oral irrigator of FIG. 1; FIG. 5 is a second, opposite side view of the oral irrigator of FIG. 1; FIG. 6 is a top view of the oral irrigator of FIG. 1; and, FIG. 7 is a bottom view of the oral irrigator of FIG. 1.

**1 Claim, 6 Drawing Sheets**

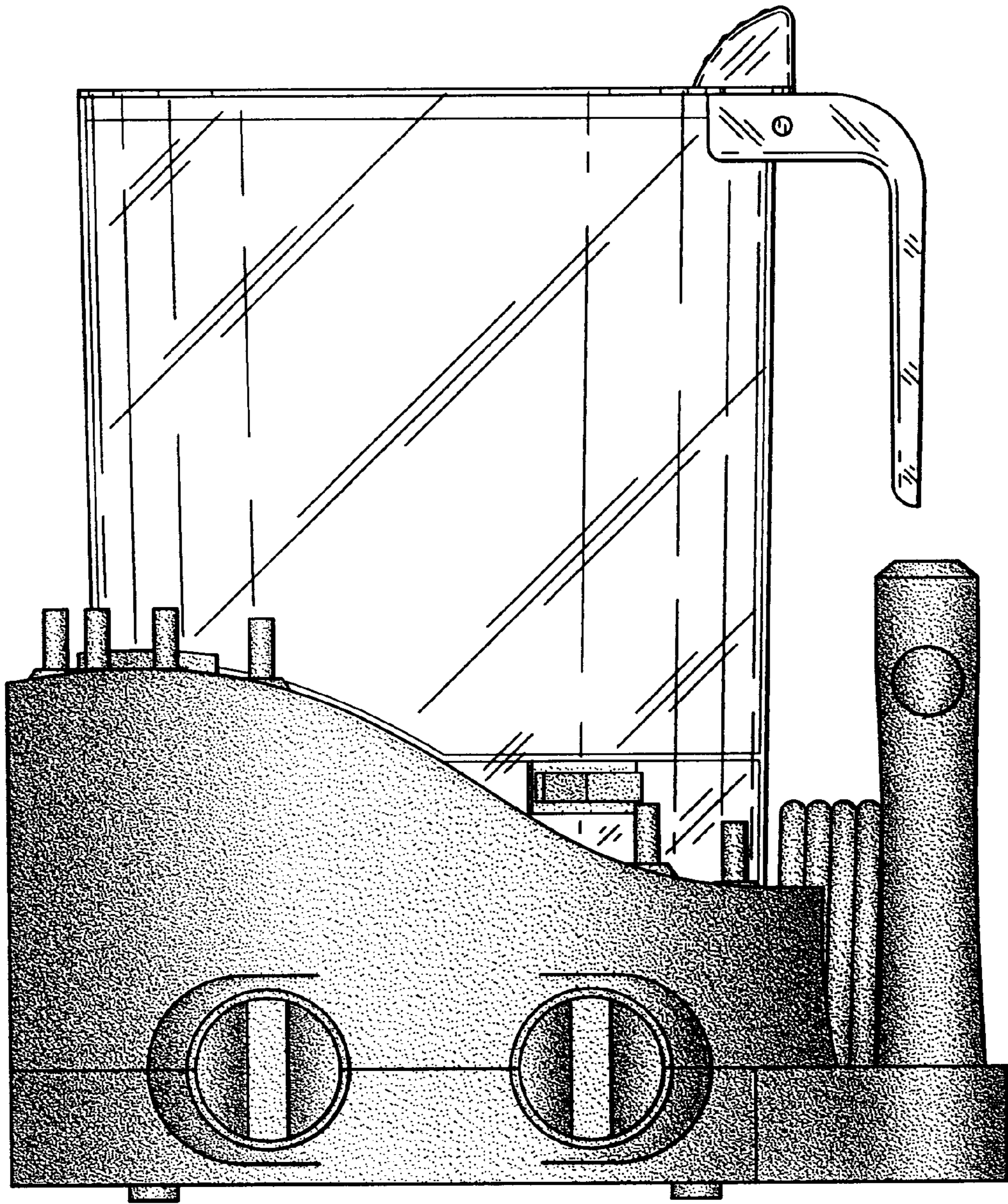






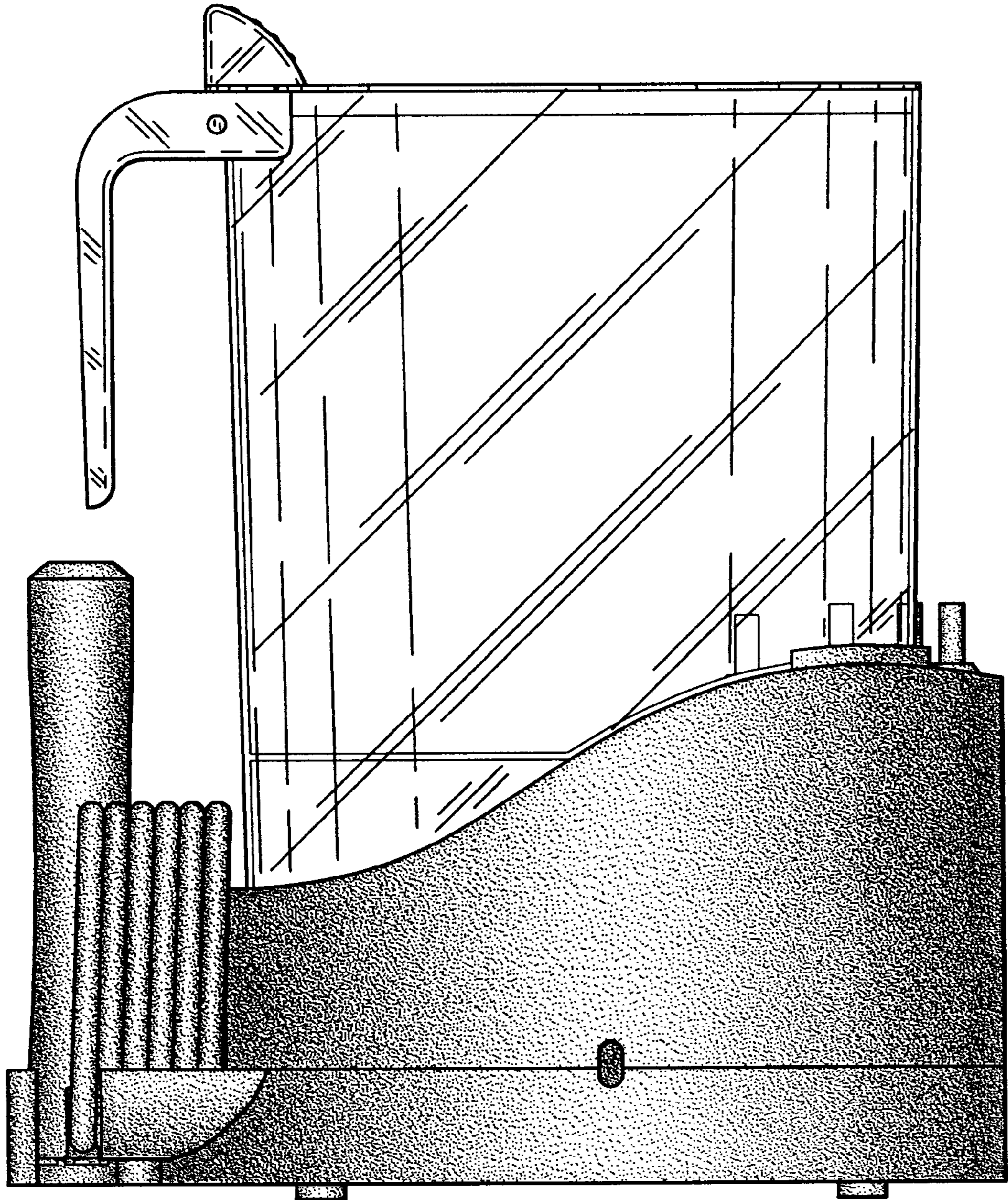
**FIG. 1**





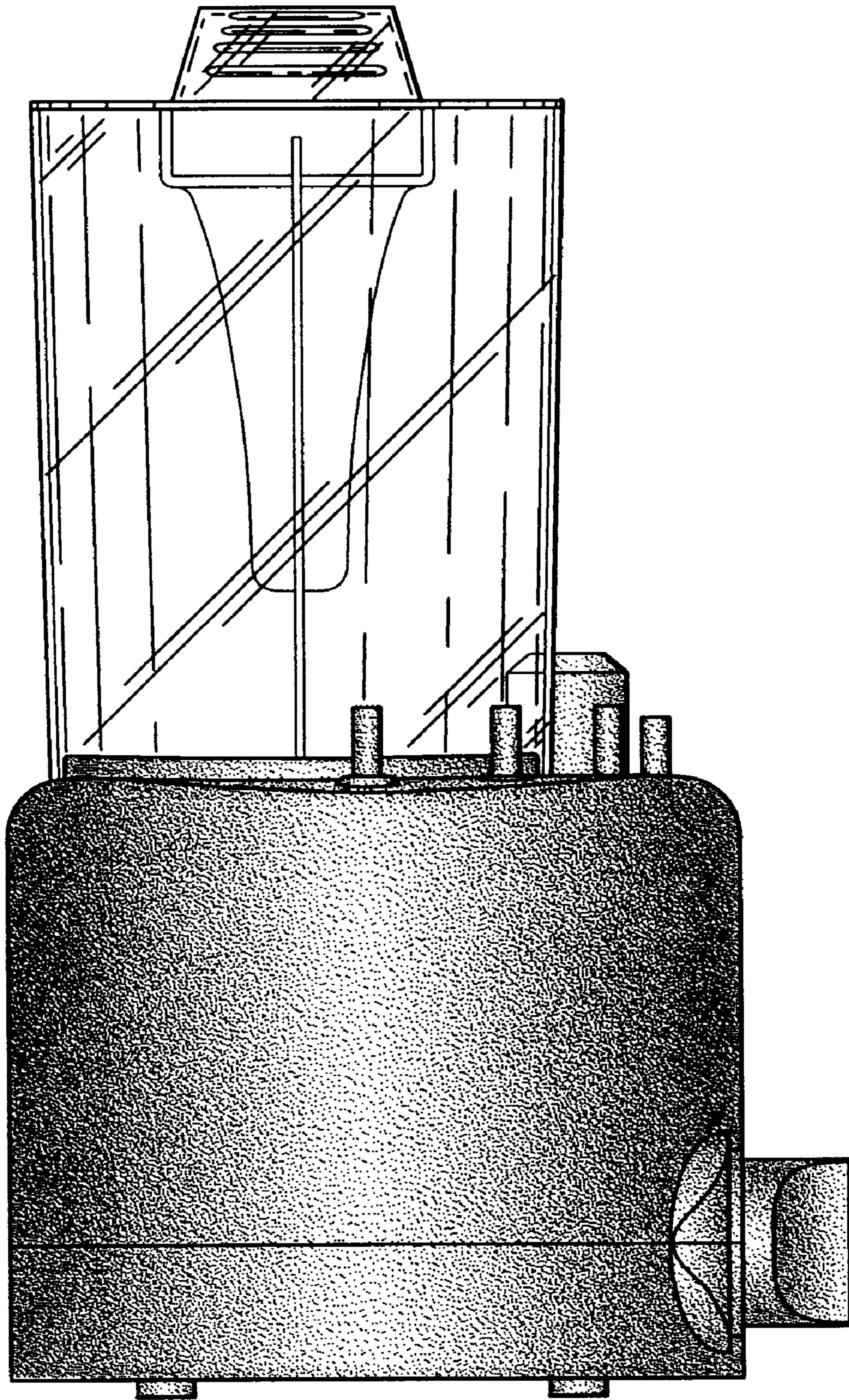
**FIG. 2**





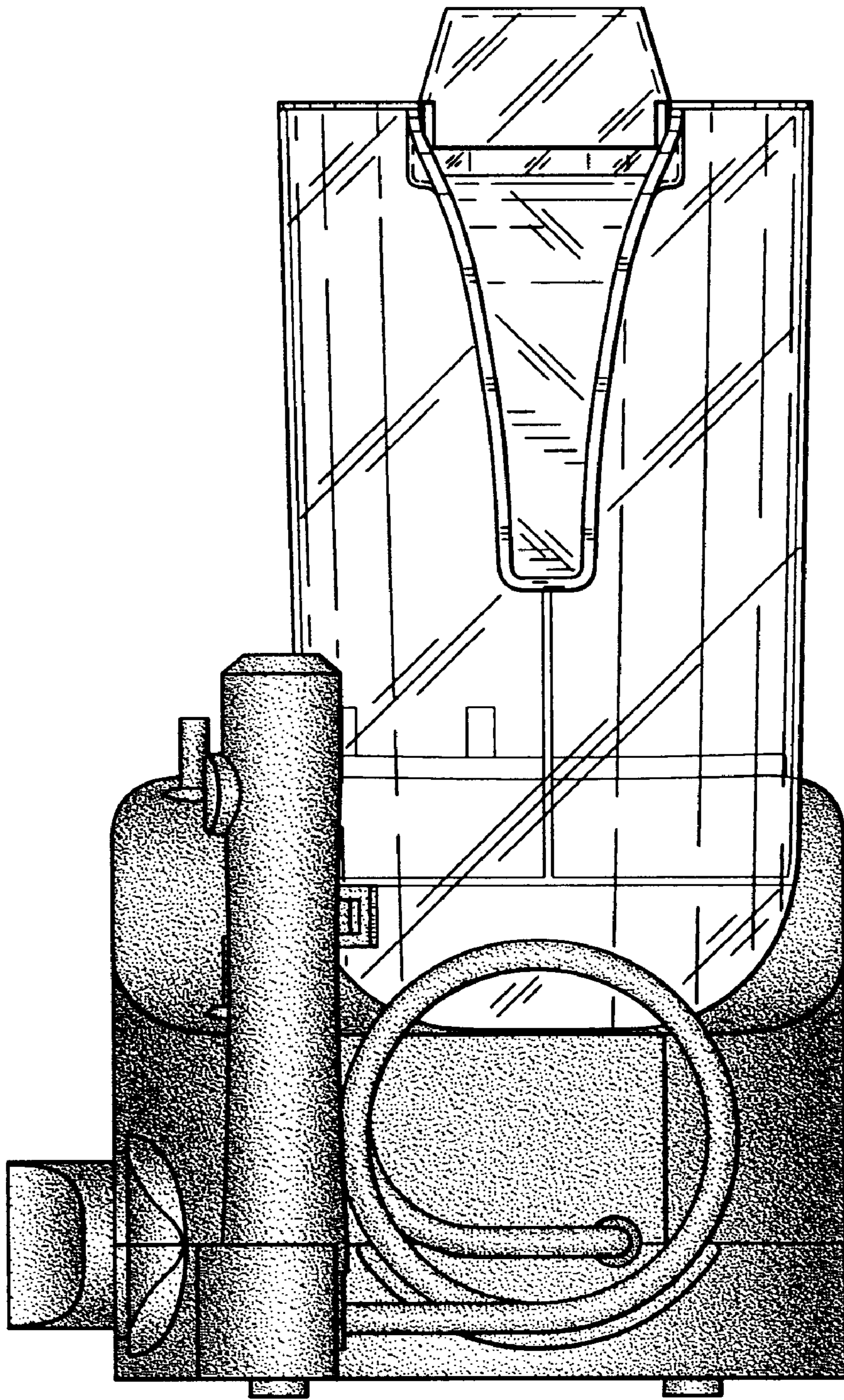
**FIG. 3**





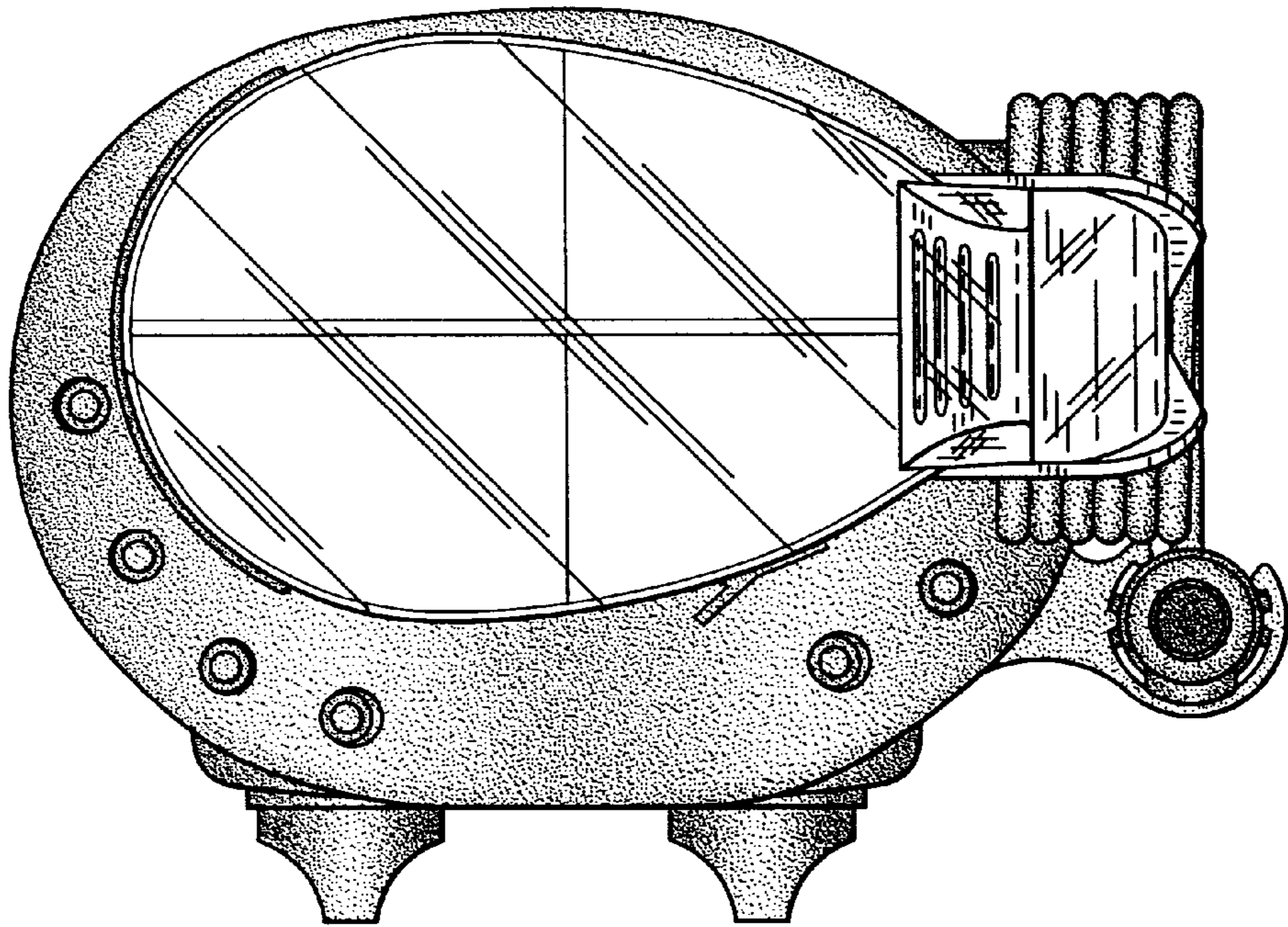
**FIG. 4**



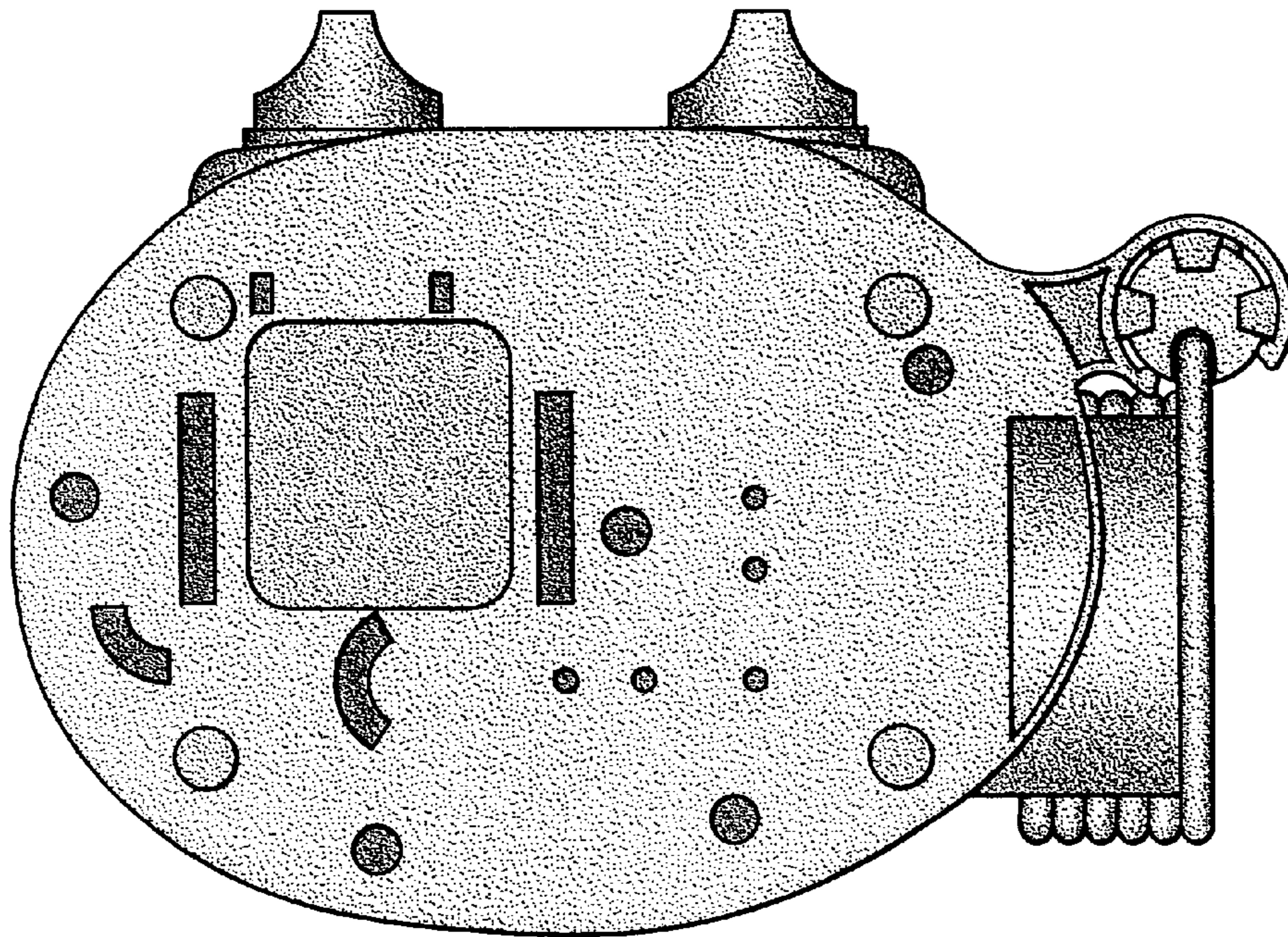


**FIG. 5**





**FIG. 6**



**FIG. 7**