



US00D449883B1

(12) **United States Design Patent**
McDonald et al.

(10) **Patent No.:** **US D449,883 S**

(45) **Date of Patent:** **** Oct. 30, 2001**

- (54) **OXYGEN DELIVERY SYSTEM**
- (75) Inventors: **Lee McDonald; Maurice Lavimodiere,**
both of Barrie (CA)
- (73) Assignee: **Southmedic Incorporated, Barrie (CA)**
- (**) Term: **14 Years**
- (21) Appl. No.: **29/136,099**
- (22) Filed: **Jan. 24, 2001**
- (51) **LOC (7) Cl.** **29-02**
- (52) **U.S. Cl.** **D24/110; D14/206; D24/110.1;**
D24/110.4
- (58) **Field of Search** **D24/110.4, 110.6,**
D24/164, 110, 110.1; 128/200.28, 207.11,
207.17, 204.18, 202.18, 205.25, 206.12,
206.21, 206.27; D14/206, 205

4,593,688	6/1986	Payton .	
4,739,757	4/1988	Edwards .	
5,457,751	* 10/1995	Such	D14/206
5,575,282	11/1996	Knoch .	

FOREIGN PATENT DOCUMENTS

1128826	8/1982	(CA) .
2251531	10/1997	(CA) .
WO 97/38746	10/1997	(WO) .
WO 99/13929	3/1999	(WO) .

* cited by examiner

Primary Examiner—Ian Simmons

(74) *Attorney, Agent, or Firm*—Nikolai & Mersereau, P.A.

(57) **CLAIM**

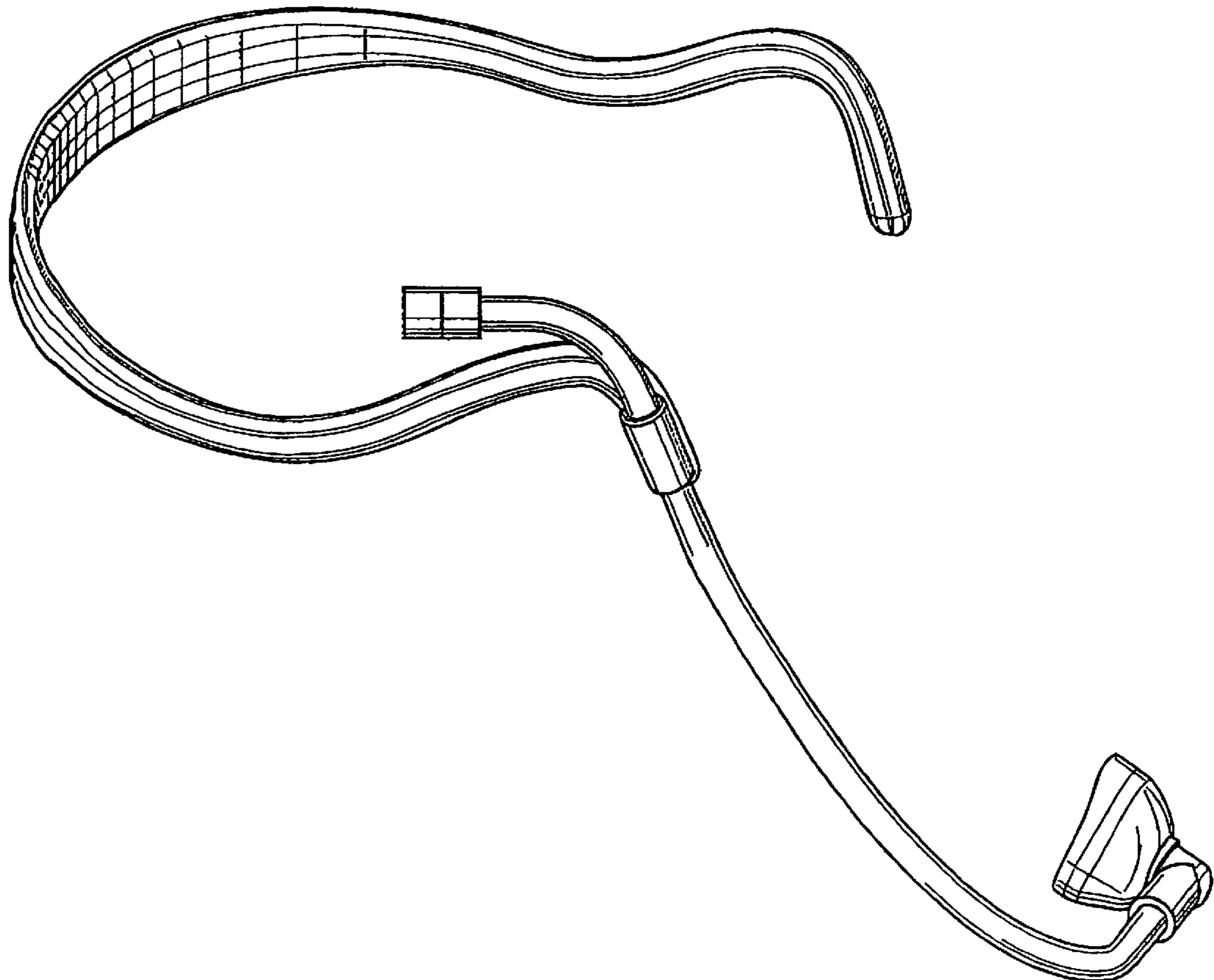
The ornamental design for an oxygen delivery system, as shown and described.

DESCRIPTION

FIG. 1 is a perspective view of the oxygen delivery system;
 FIG. 2 is an elevation view from the front.
 FIG. 3 is an elevation view from the rear.
 FIG. 4 is a plan view from above.
 FIG. 5 is a plan view from below.
 FIG. 6 is a plan view from one side; and,
 FIG. 7 is a plan view from the other side.

1 Claim, 4 Drawing Sheets

- (56) **References Cited**
- U.S. PATENT DOCUMENTS**
- D. 410,921 * 6/1999 Luchs et al. D14/206
- 1,974,828 9/1934 Markut .
- 3,040,741 6/1962 Carolan .
- 3,599,635 * 8/1971 Ansite 128/206.28
- 3,683,907 8/1972 Cotabish .
- 3,850,168 11/1974 Ferguson .



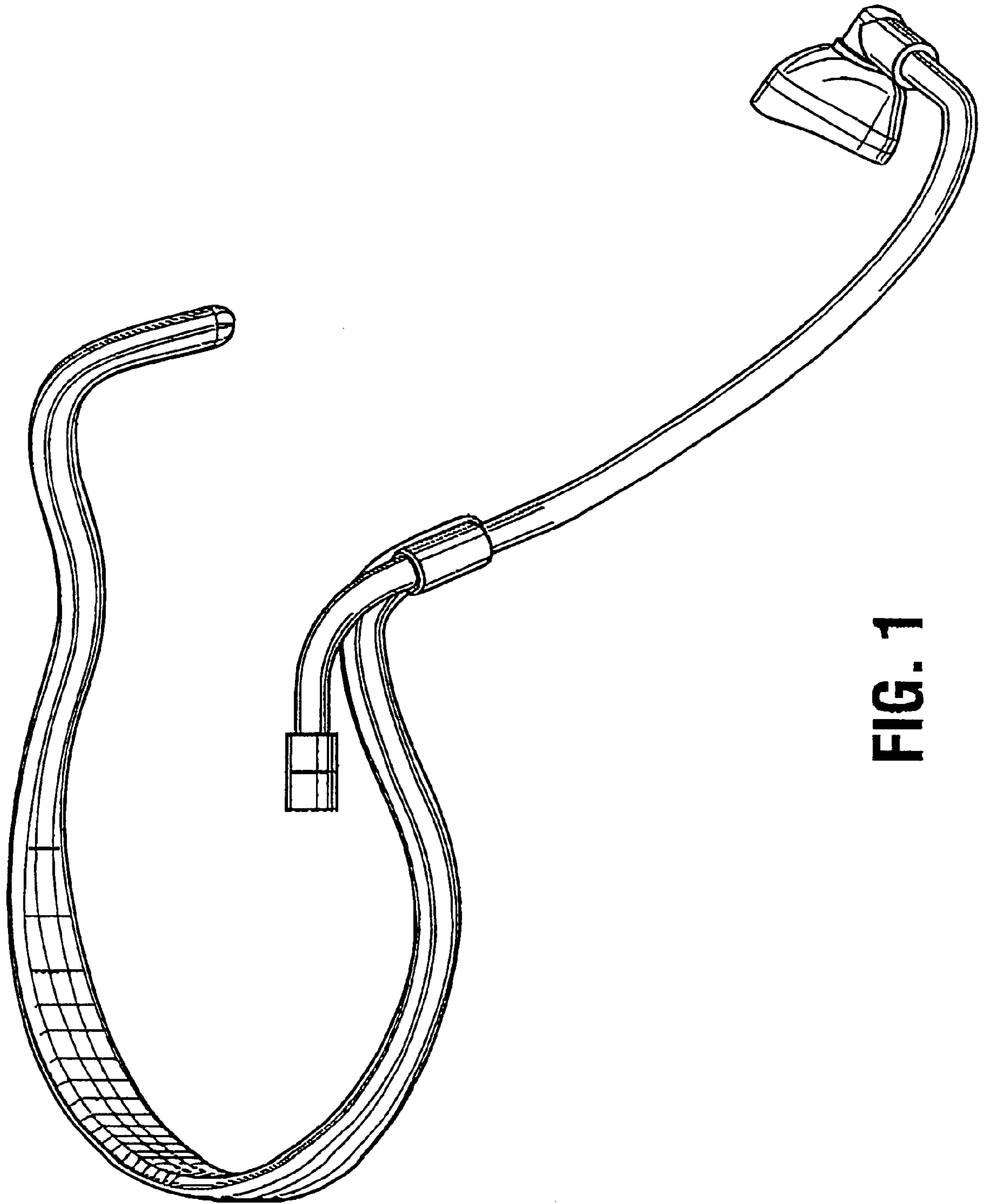
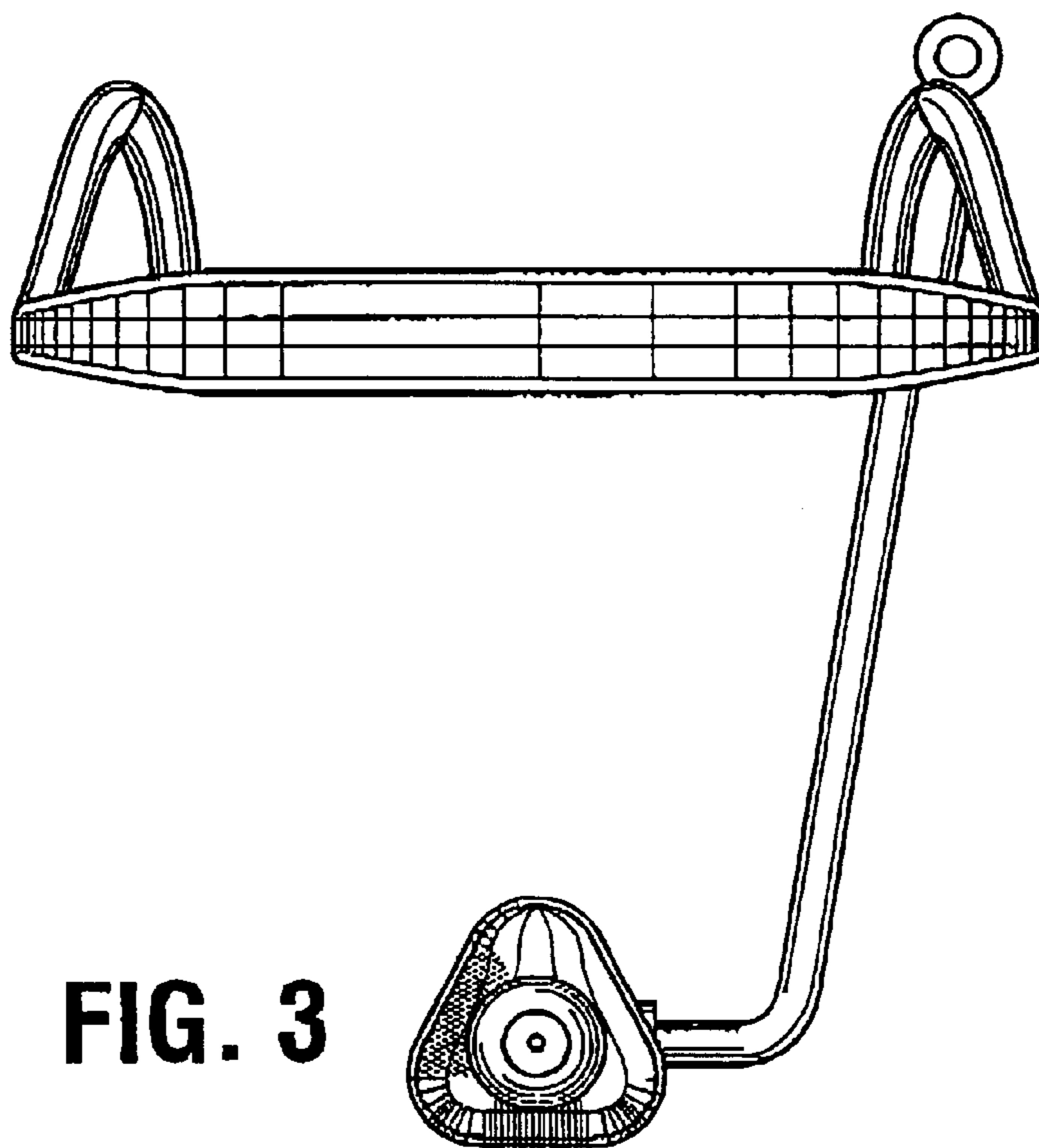
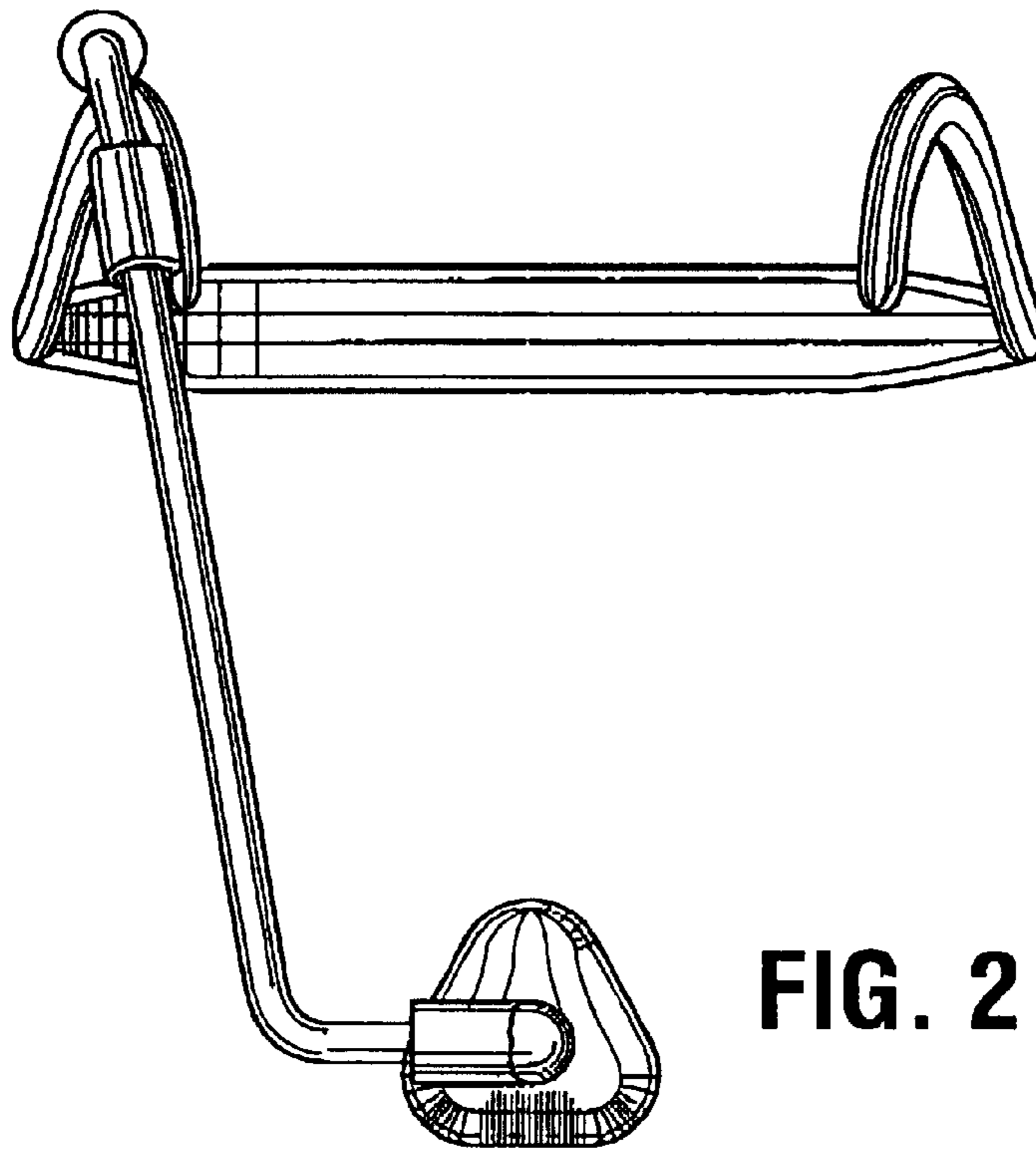


FIG. 1



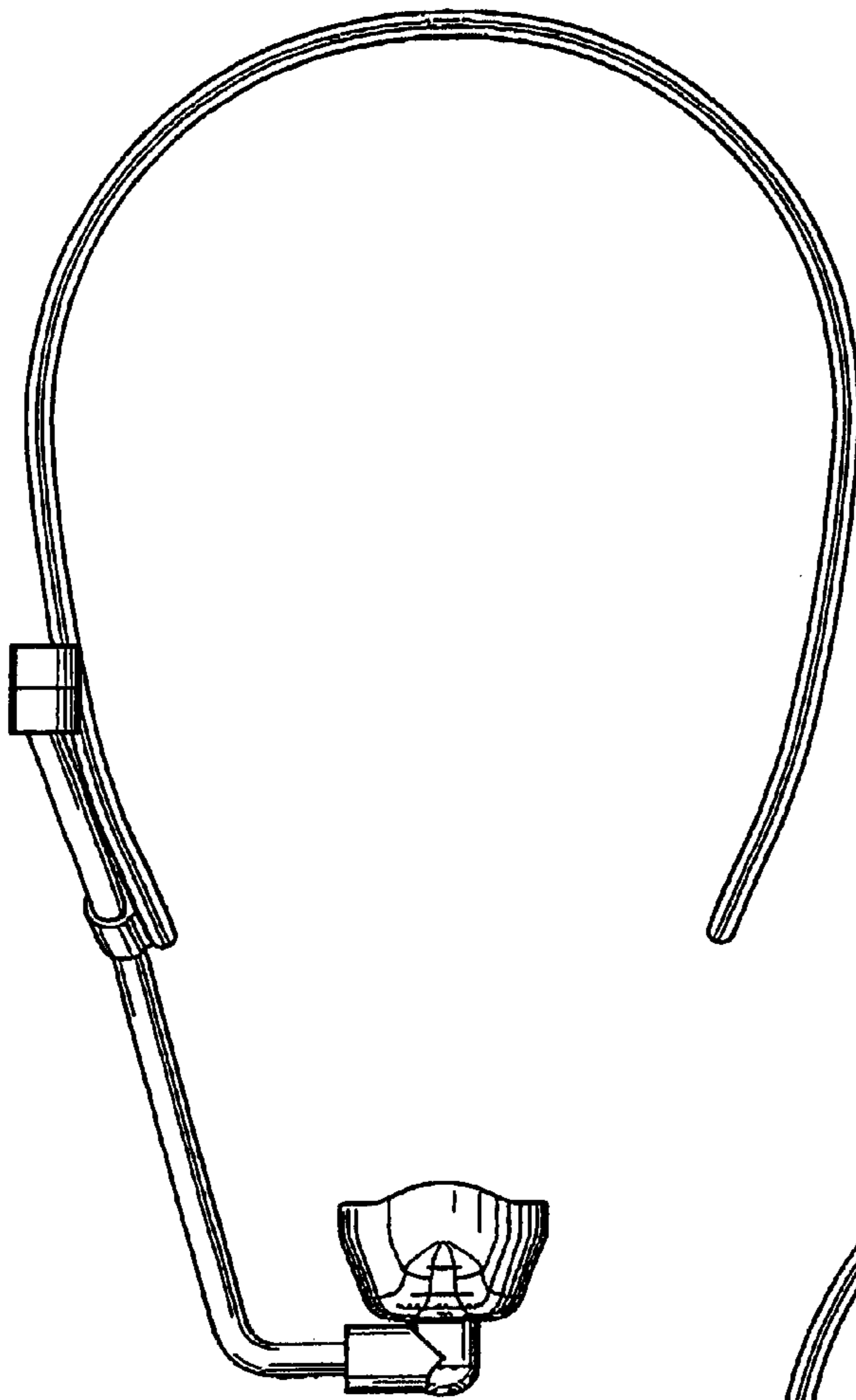


FIG. 4

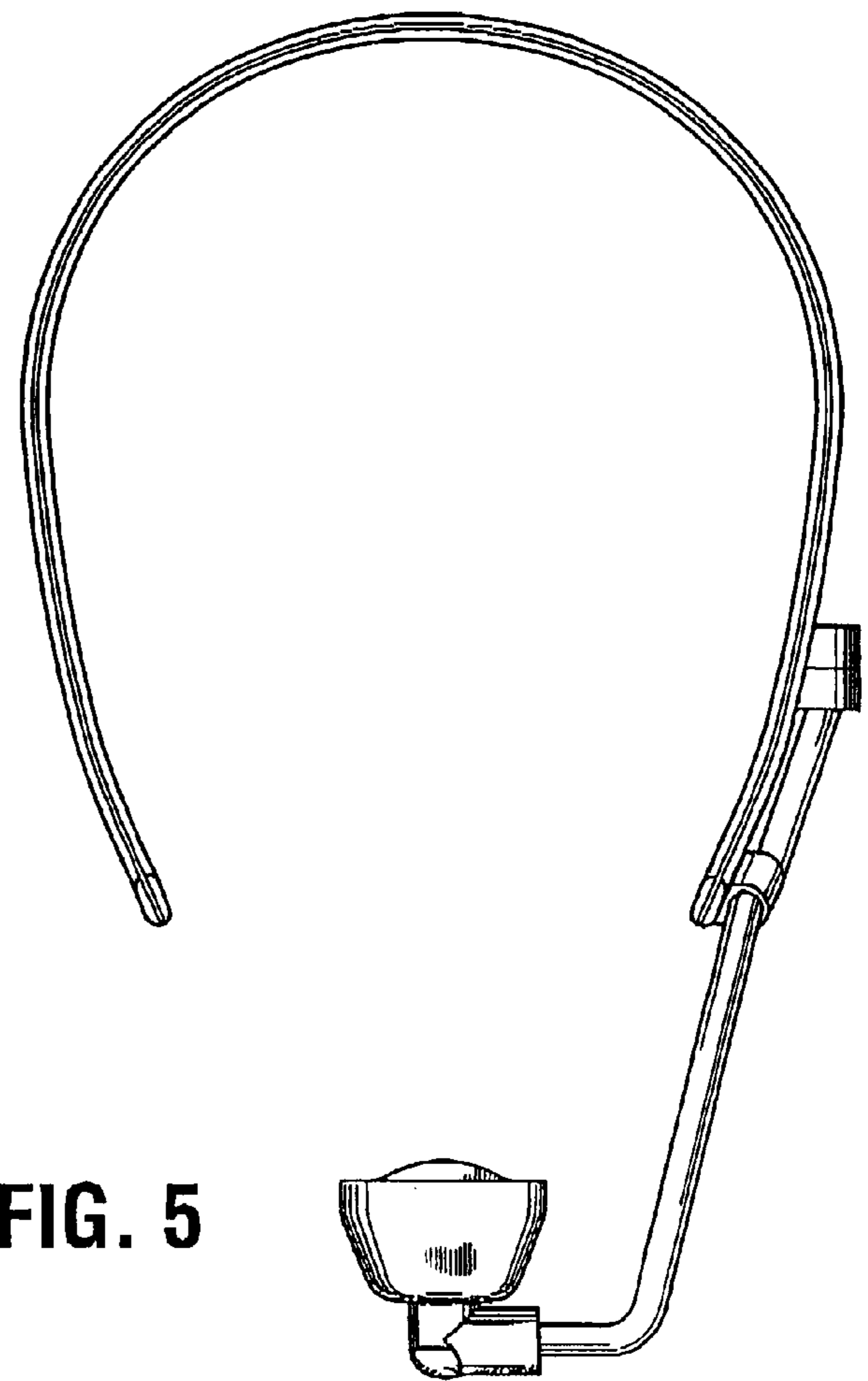


FIG. 5

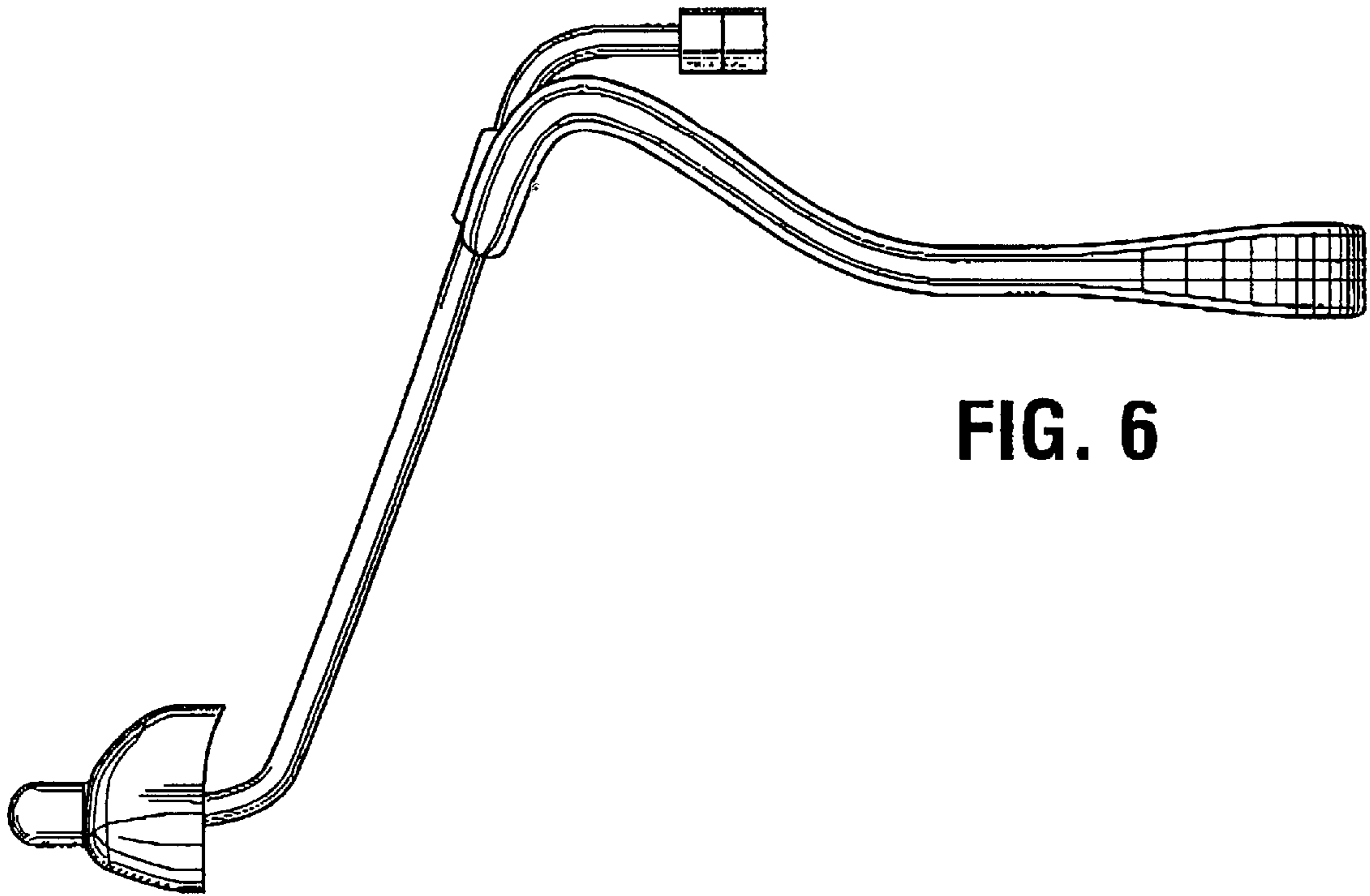


FIG. 6

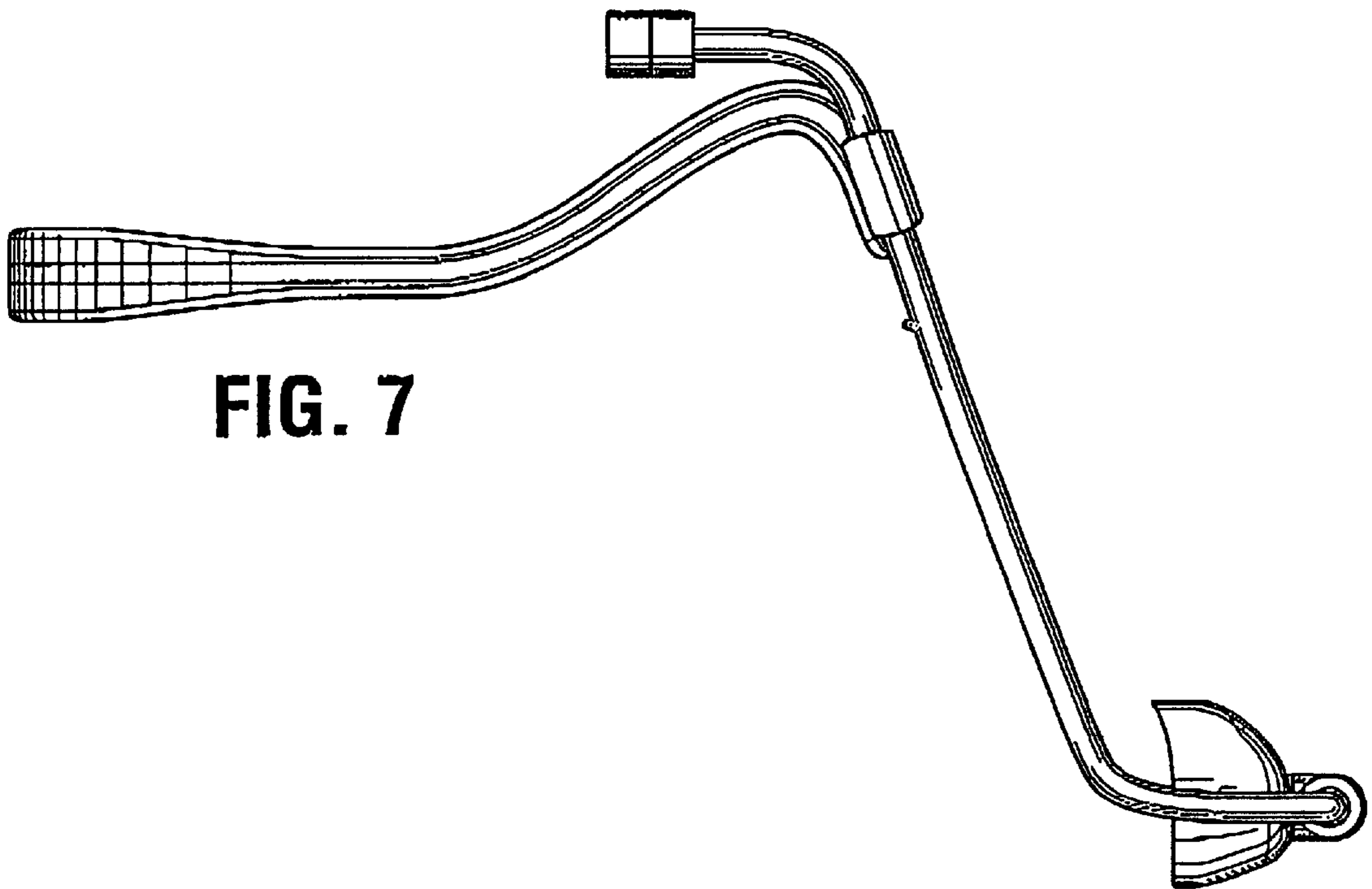


FIG. 7