



US00D449882B1

(12) **United States Design Patent**
Christrup et al.

(10) **Patent No.:** **US D449,882 S**

(45) **Date of Patent:** **** Oct. 30, 2001**

(54) **INHALER**

(75) Inventors: **Søren Christrup**, Struer; **Anders Geert-Jensen**, Højberg; **Mikal Jørgensen**, Århus; **Jørgen Rasmussen**, Struer; **Hugo Dines Schmidt**, Århus, all of (DK)

(73) Assignee: **AstraZeneca AB**, Sodertalje (SE)

(**) Term: **14 Years**

(21) Appl. No.: **29/129,874**

(22) Filed: **Sep. 25, 2000**

(30) **Foreign Application Priority Data**

Mar. 24, 2000 (SE) 00-0586

(51) **LOC (7) Cl.** **29-02**

(52) **U.S. Cl.** **D24/110**

(58) **Field of Search** D24/110; 128/200.23,
128/203.15, 200.14, 202.22, 205.23, 203.12,
203.23

(56) **References Cited**

U.S. PATENT DOCUMENTS

D. 207,143 * 3/1967 Goodwin D24/110

D. 416,998 * 11/1999 Hodson et al. D24/110
D. 433,502 * 11/2000 Rand D24/110
4,576,157 * 3/1986 Raghuprasad 128/200.23
5,809,997 * 9/1998 Wolf 128/200.23
6,142,339 * 11/2000 Blacker et al. 128/200.23

* cited by examiner

Primary Examiner—Ian Simmons

(74) *Attorney, Agent, or Firm*—Nixon & Vanderhye

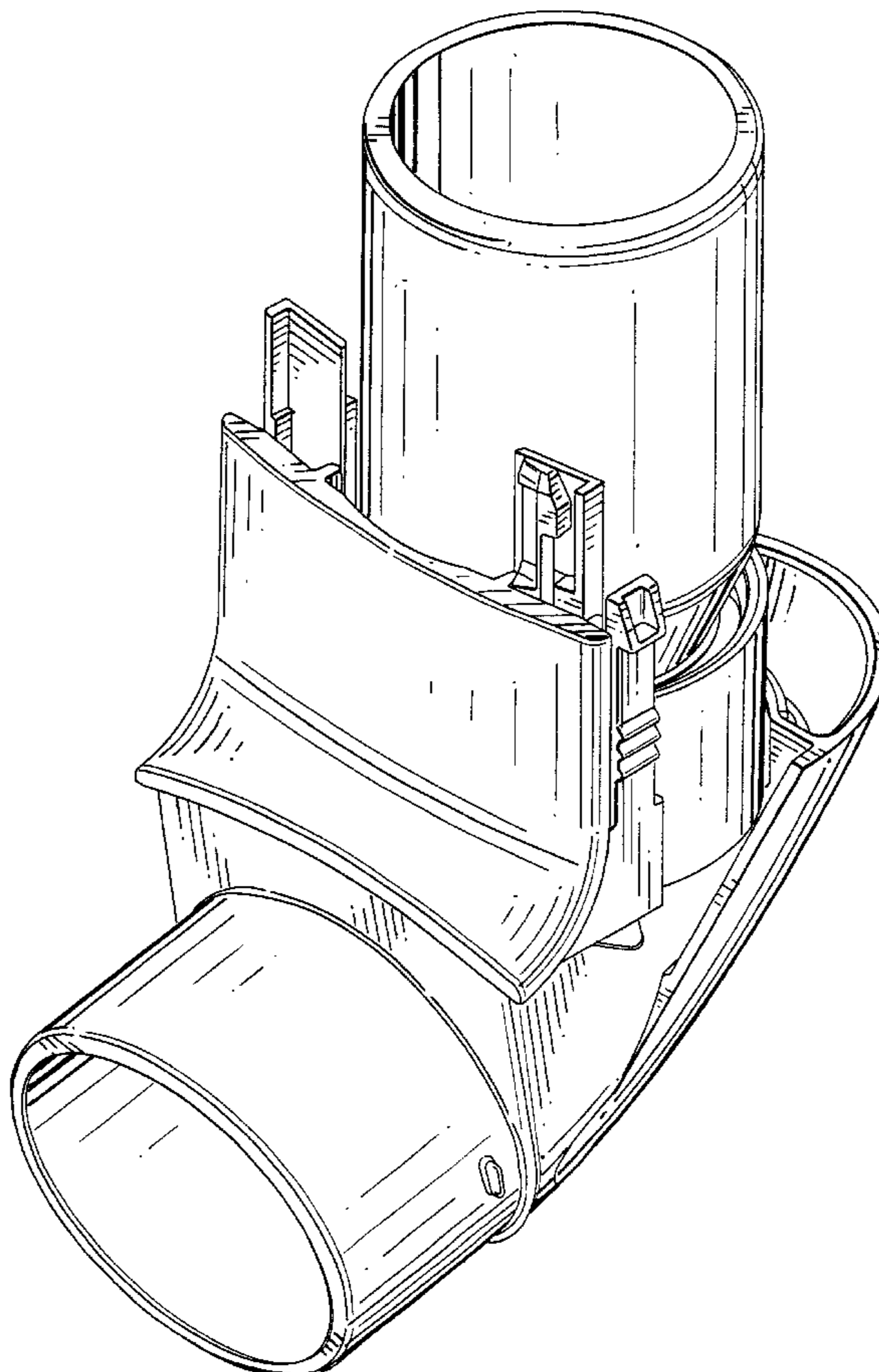
(57) **CLAIM**

The ornamental design for an inhaler, as shown and described.

DESCRIPTION

FIG. 1 is a perspective view of the inhaler;
FIG. 2 is a bottom elevation of the inhaler;
FIG. 3 is a rear elevation of the inhaler;
FIG. 4 is a top elevation of the inhaler;
FIG. 5 is a side elevation of the inhaler; and,
FIG. 6 is a front elevation of the inhaler.

1 Claim, 6 Drawing Sheets



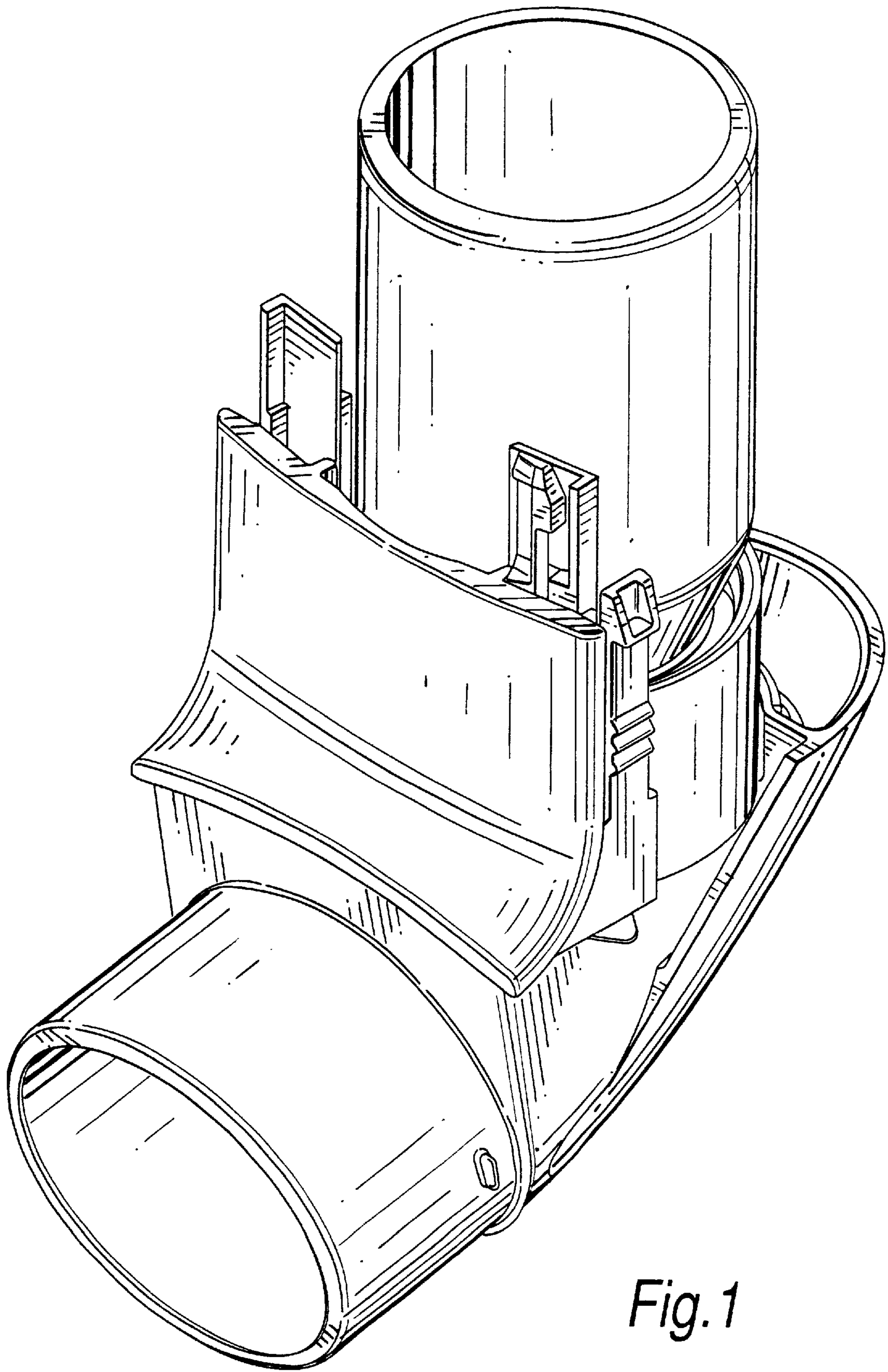


Fig. 1

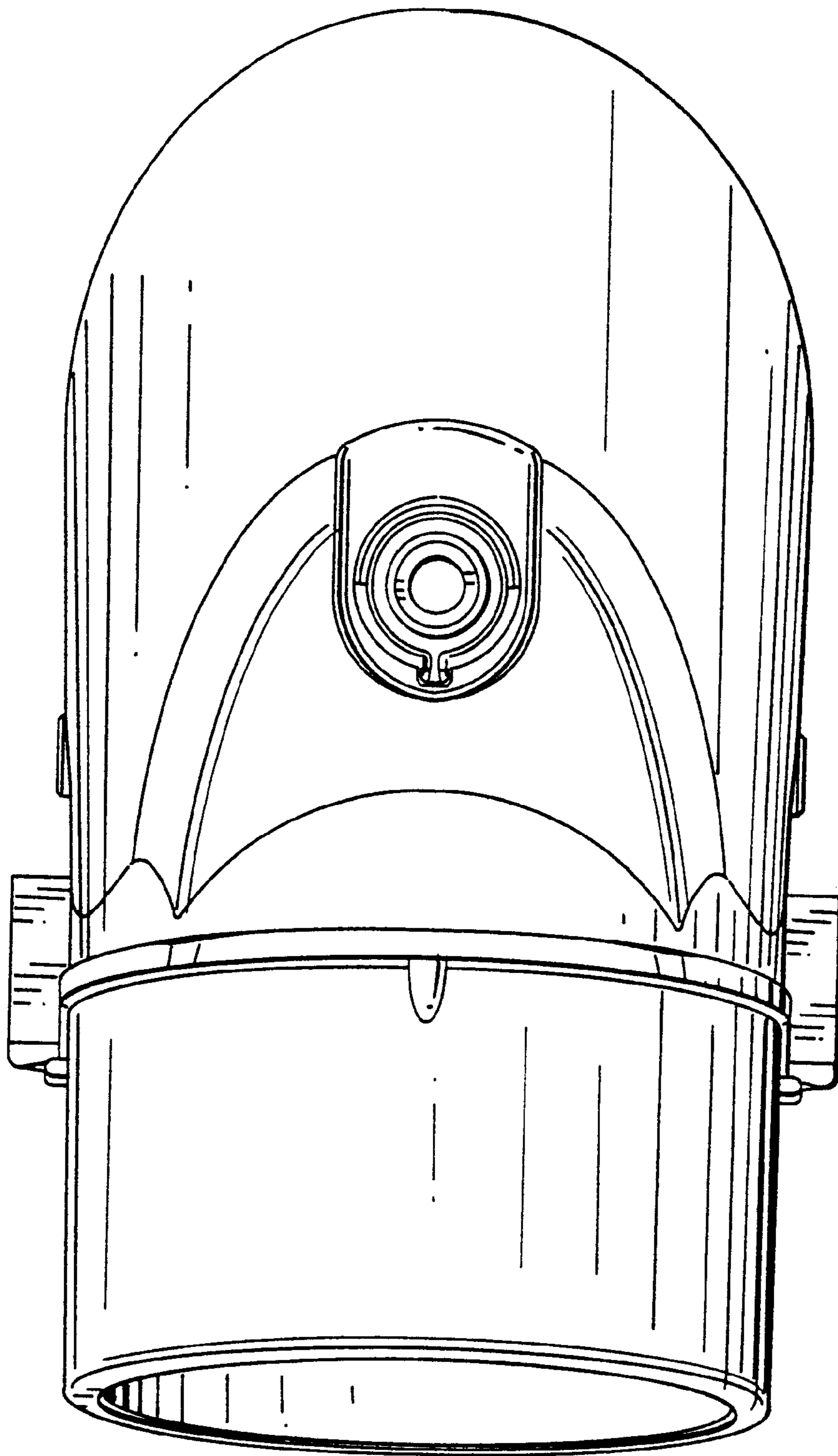


Fig.2

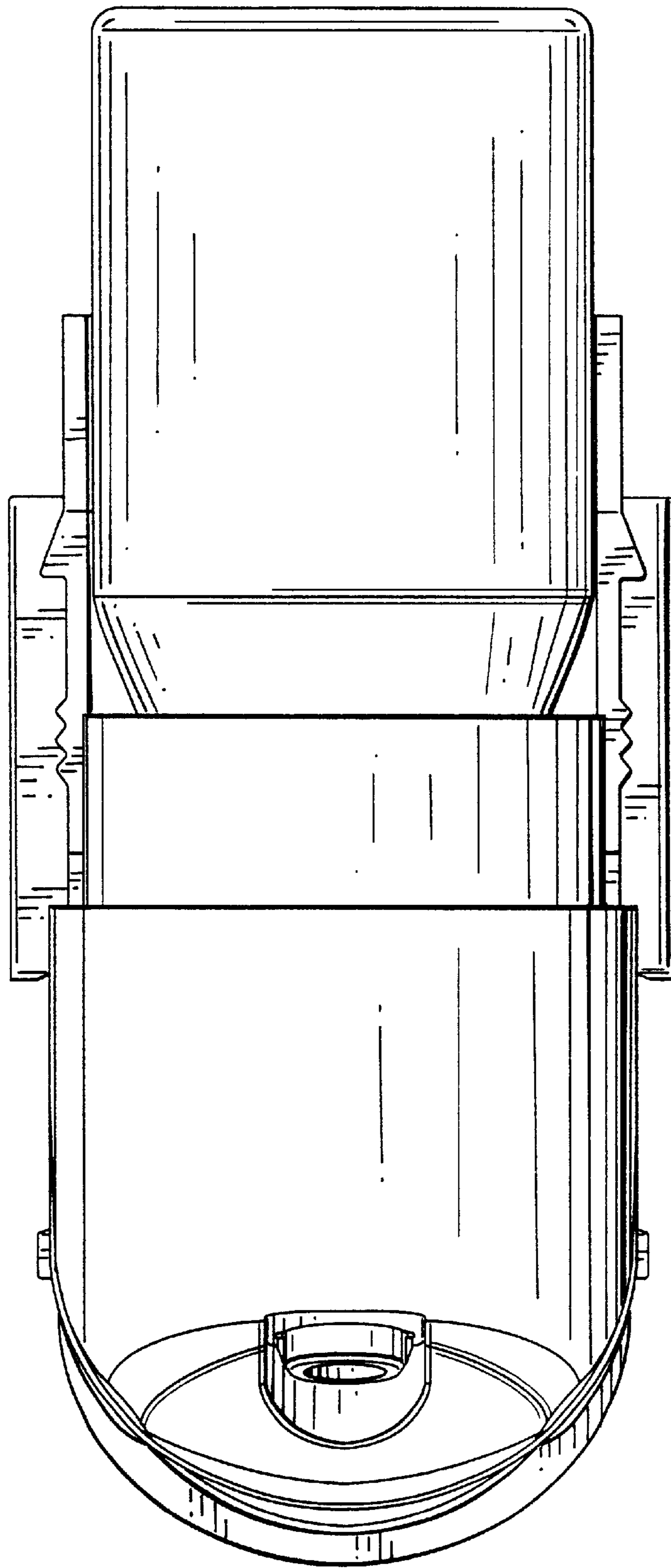


Fig.3

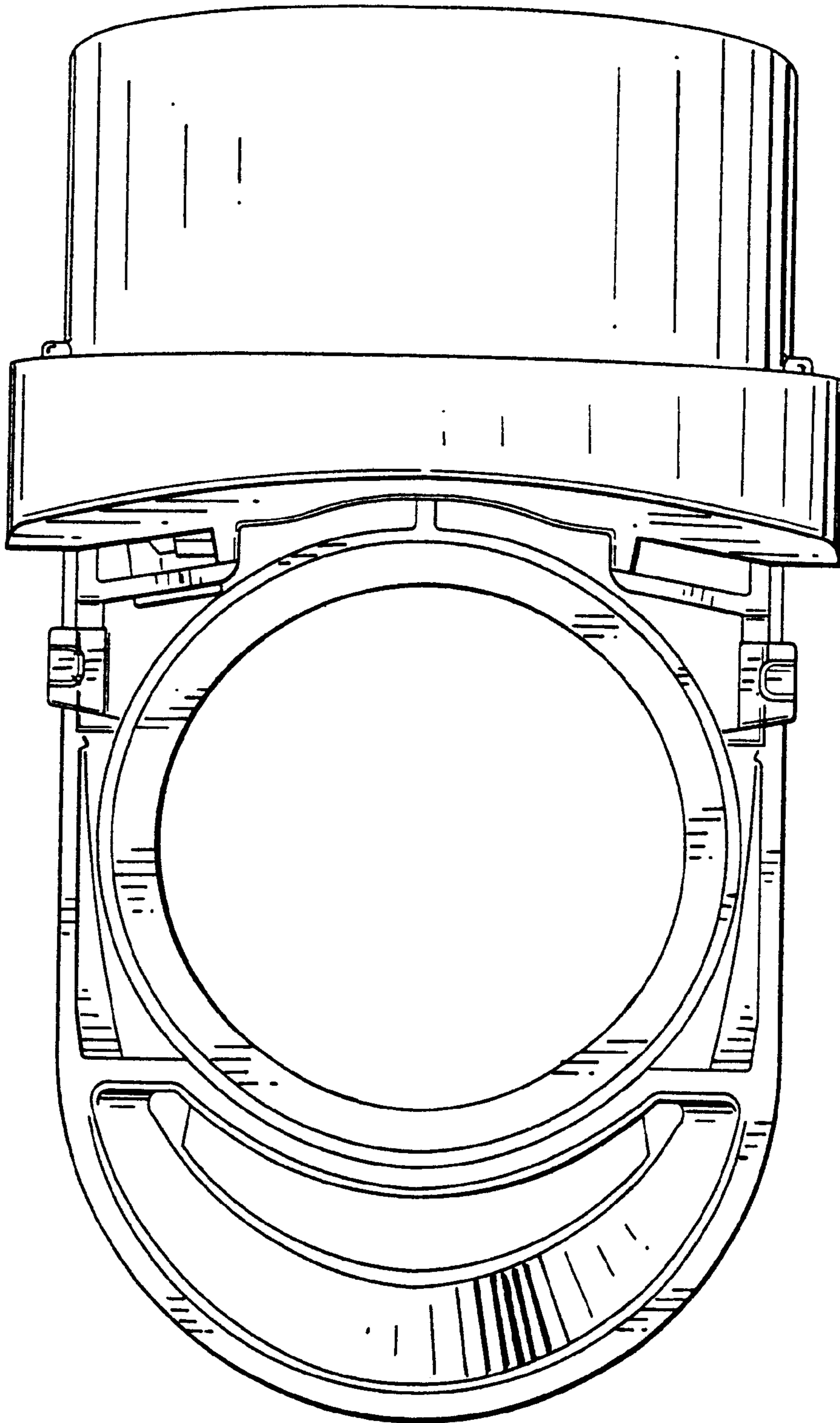


Fig.4

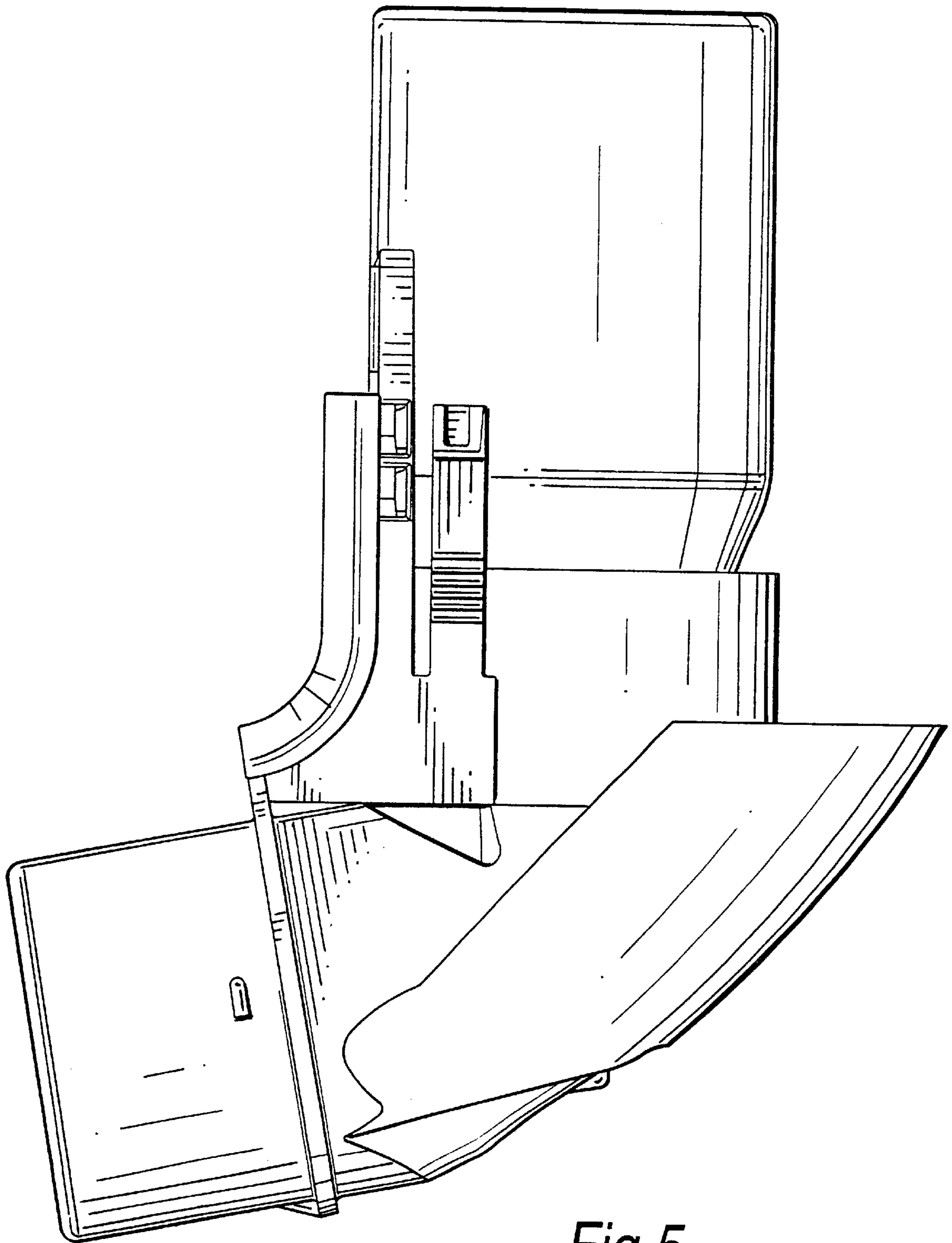


Fig.5

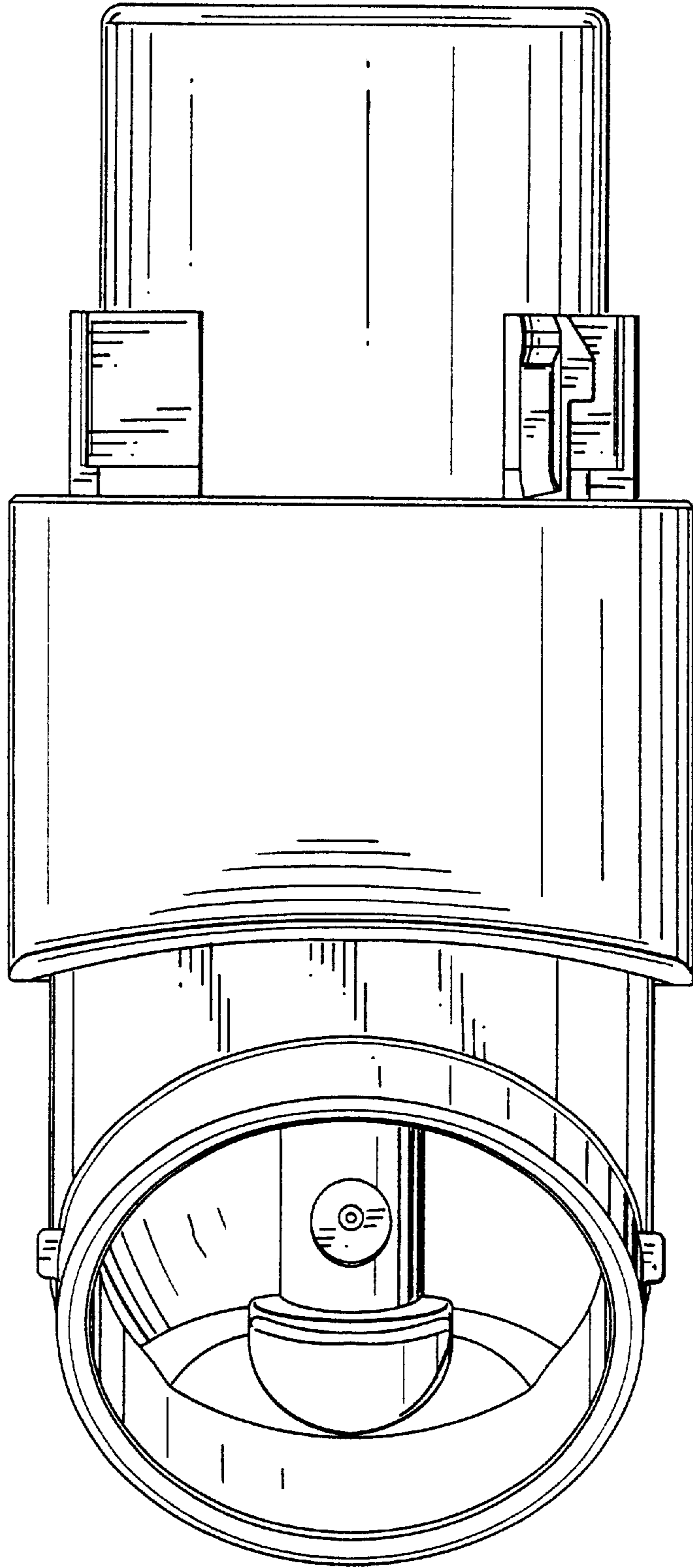


Fig.6